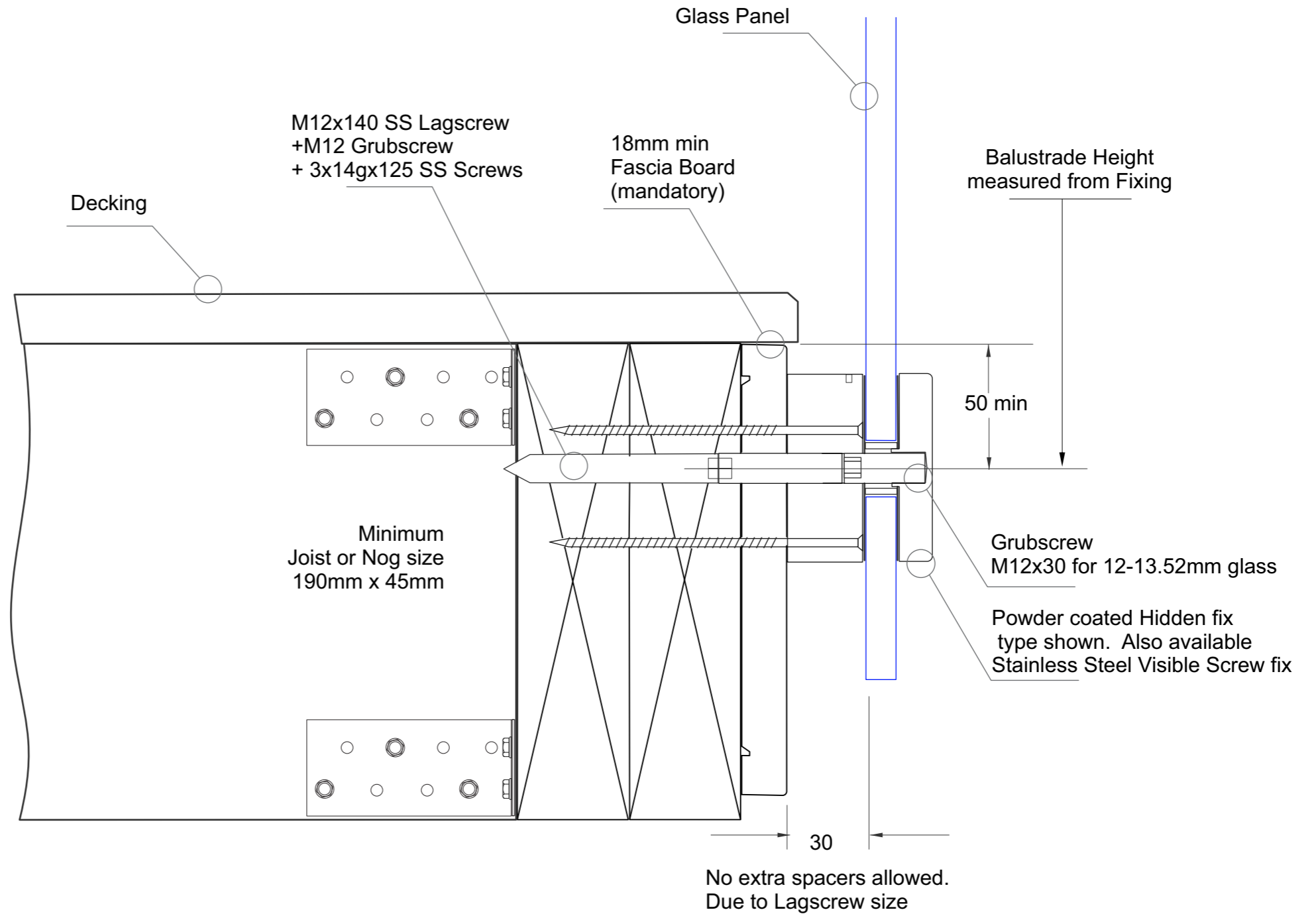


Typical Face Fix to Timber - M12 SS Lagscrew

Important Installation notes:

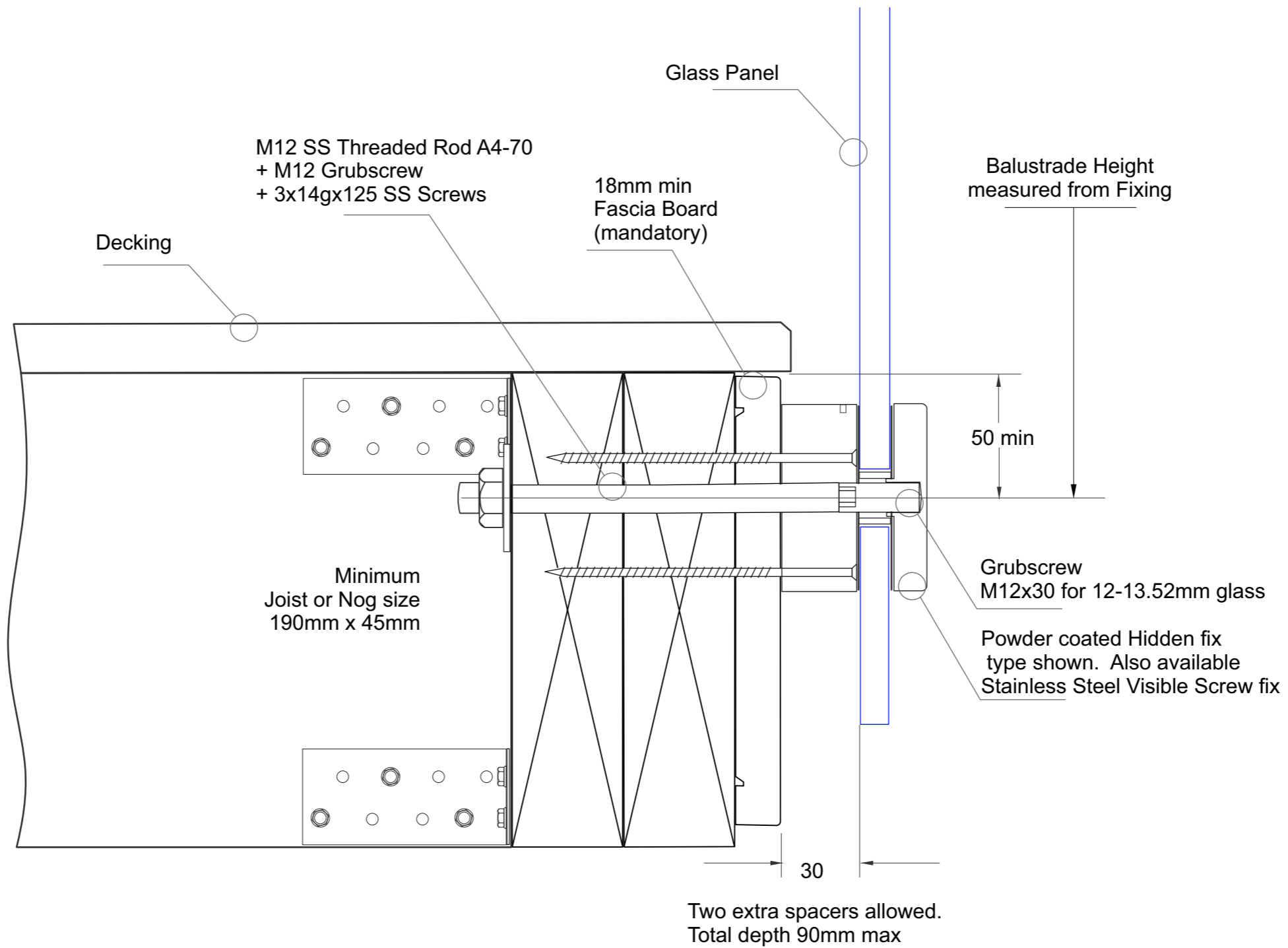
- 1 - The Project Engineer must ensure the structure can support the appropriate loads
- 2 - Refer to the Juralco Edgetec Single Disc Manual for applicable Wind Zones and restrictions
- 3 - Substructure shown indicatively only. Timber SG8 minimum strength
- 4 - Lagscrew 90mm min engagement into joists. Pre drill 8mm holes
- 5 - Bond all Lagcrews with SIKA Supergrip to full depth
- 6 - All Fixings must be Stainless steel



Typical Face Fix to Timber - M12 SS Threaded Rod

Important Installation notes:

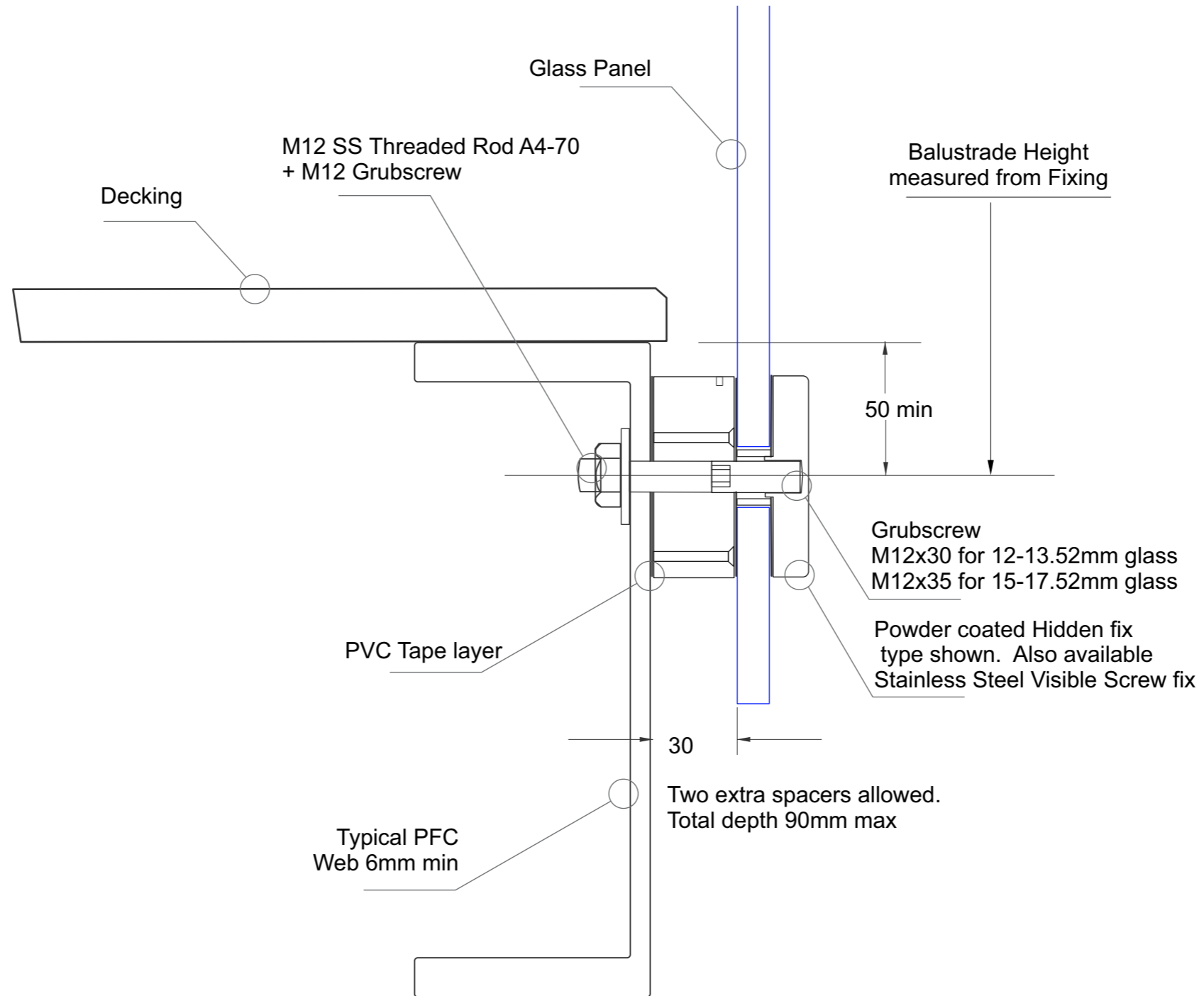
- 1 - The Project Engineer must ensure the structure can support the appropriate loads
- 2 - Refer to the Juralco Edgetec Single Disc Manual for applicable Wind Zones and restrictions
- 3 - Substructure shown indicatively only.
- 4 - All Fixings must be Stainless steel



Juralco Edgetec Single Disc Balustrade System
 Typical Face Fix to Steel - M12 SS Threaded Rod

Important Installation Notes:

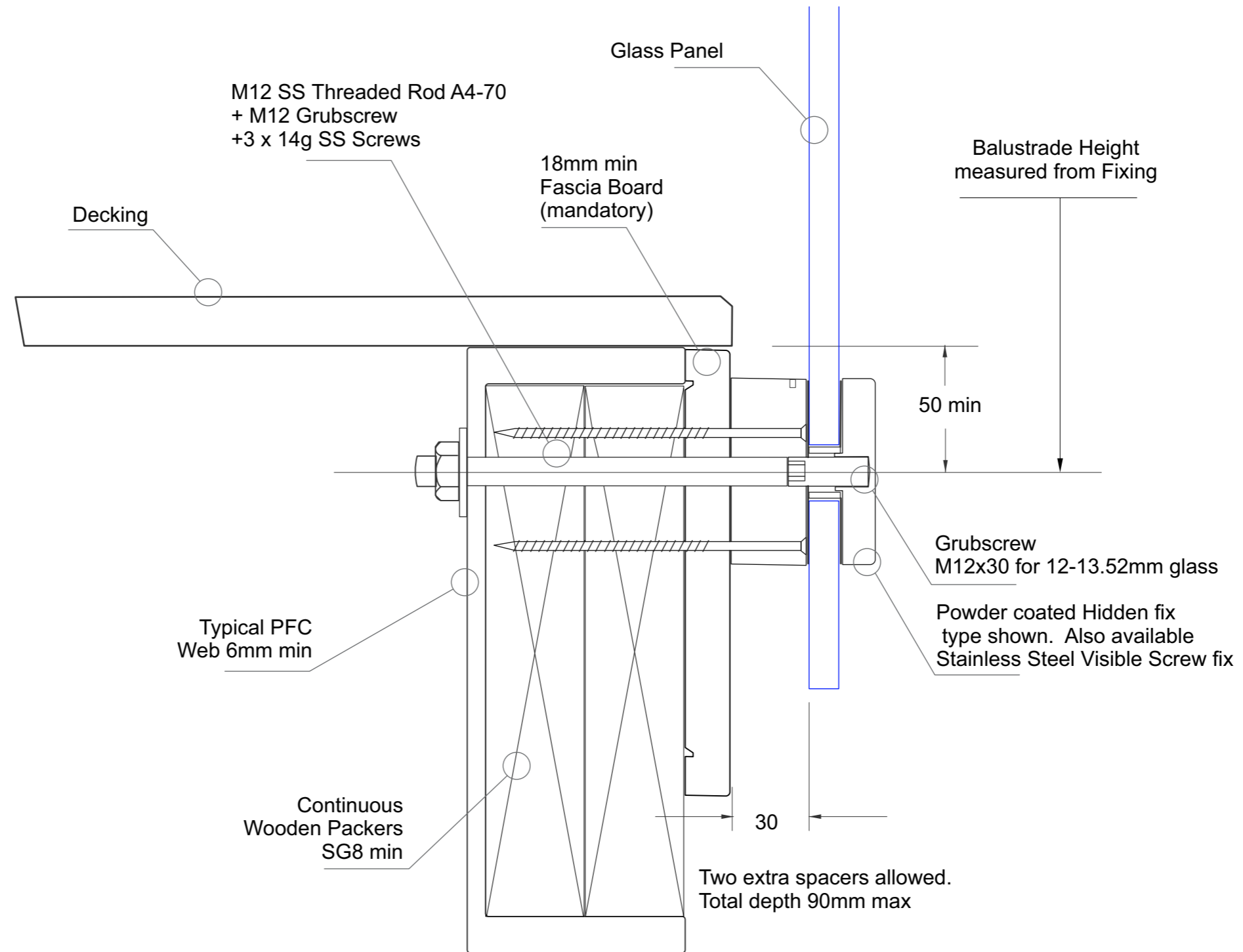
- 1 - The Project Engineer must ensure the structure can support the appropriate loads
- 2 - Refer to the Juralco Edgetec Single Disc Manual for applicable Wind Zones and restrictions
- 3 - Substructure shown indicatively only
- 4 - A PVC Tape layer must be installed between the Disc and Steel
- 5 - All fixings must be Stainless Steel



Juralco Edgetec Single Disc Balustrade System
Typical Face Fix to Steel + Timber Packers - M12 SS Threaded Rod

Important Installation notes:

- 1 - The Project Engineer must ensure the structure can support the appropriate loads
- 2 - Refer to the Juralco Edgetec Single Disc Manual for applicable Wind Zones and restrictions
- 3 - Substructure shown indicatively only. Timber SG8 minimum strength
- 4 - All Fixings must be Stainless steel



Juralco Edgetec Single Disc Balustrade System
Typical Face Fix to Concrete - M12 SS Threaded Rod

Important Installation Notes:

- 1 - The Project Engineer must ensure the structure can support the appropriate loads
- 2 - Refer to the Juralco Edgetec Single Disc Manual for applicable Wind Zones, restrictions and Fischer FIS V details
- 3 - Substructure shown indicatively only
- 4 - Fixings must engage into the structural slab
- 5 - A PVC Tape layer must be installed between the Clamp and Concrete
- 6 - All fixings must be Stainless Steel

