



 JURALCO

# JURALCO CIRCA® SHOWER DOOR SYSTEM

ISSUE 1-17 v2

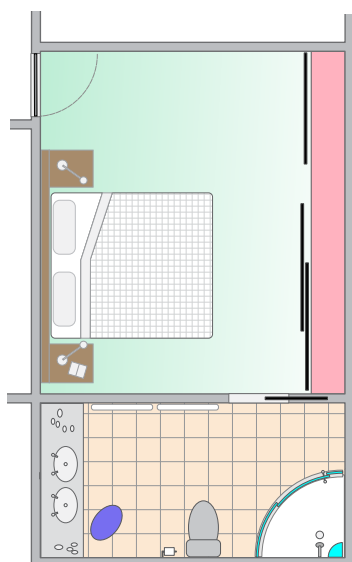
## Juralco Circa® Shower Door System

Juralco Aluminium Building Products Ltd designs and distributes specialist aluminium joinery systems through a national network of franchised fabricators and agents.

For more than 25 years we have been at the forefront of specialist aluminium door and window products suitable for New Zealand joinery and building methods. Our comprehensive product range includes security and insect screens, balustrades and gates, louvre roofs, shutters and awnings, shower screens, wardrobe doors and organisers and internal doors.

Modern, elegant styling and roominess gives the Juralco Circa® Curved Sliding Screen a luxurious opulence. The curved shower base and sliding curved glass screen can be combined with either tiled or acrylic walls to enhance the appearance of any bathroom. Wide access in and out of the shower is gained by sliding back the frameless curved central panel and just as easily it glides back, closing to form a waterproof seal. Fittings are cleverly concealed with no obtrusive exterior fastenings, apart from a modern chrome handle, to detract from the clean, semi-frameless appearance.

### Layout, General



#### Features

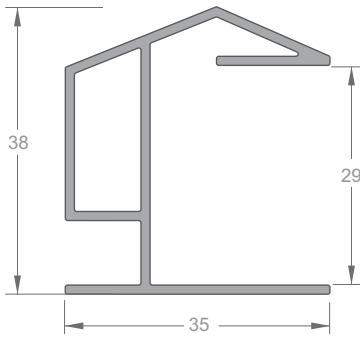
- Available as a corner only installation.
- Two floor sizes, 1000mm and 900mm.
- For shower tray install, 1850mm high,  
For on tiles install, 1930mm high.
- All toughened 6mm clear Glass.
- Door and panel glass, all to NZS 4233  
Part 3 for human impact requirements.
- Can be set up easily for Right or Left hand openings.
- Copes with out of plumb walls.
- Door clips off at the bottom for easy cleaning.
- Comes as a complete kit, ready for installation.
- Model D 100N, 1000 x 1850 - Bright polished Anodised finish.
- Model D 100T, 1000 x 1930 - Bright polished Anodised finish.



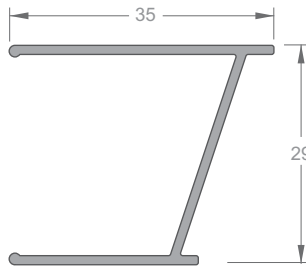
Juralco Circa Curved Sliding Door  
Shower Enclosure  
Direct on Tiles installation  
Model D100T

# Juralco Circa® Shower Door System - Extrusions, Components

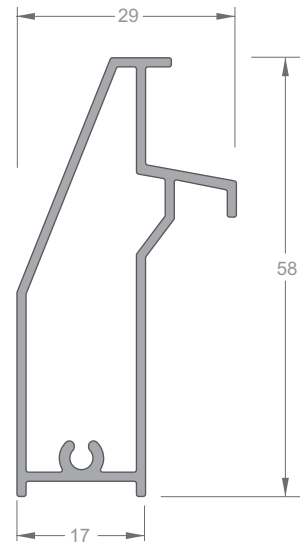
## Extrusions Full Size



WALL JAMB



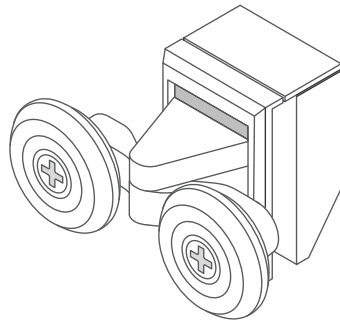
WALL CHANNEL



CURVED FRAME

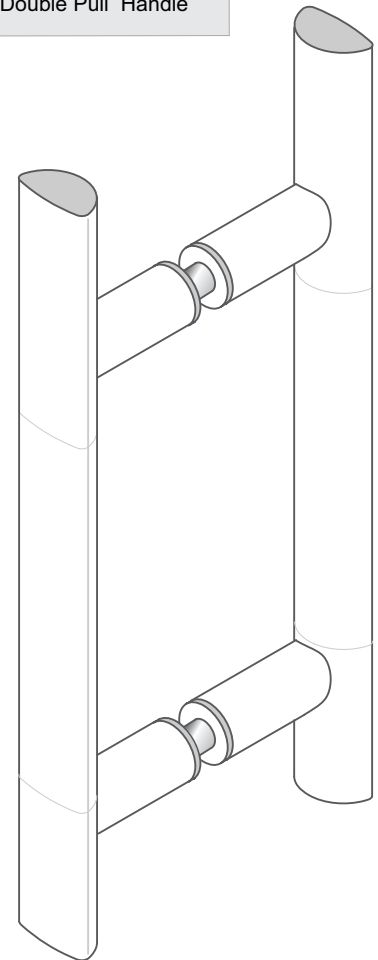
## Components

### Double Roller Set



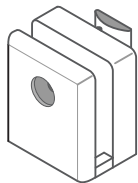
Light Grey

### Double Pull Handle



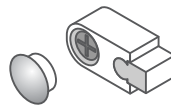
Chrome + Brushed Finish

### Sprung Bottom Clip



Light Grey

### Top Limit Stop

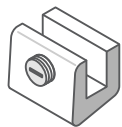


Light Grey

Cap

Stop

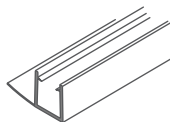
### Glass Clip



Light Grey

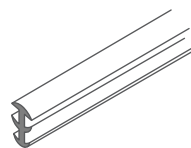
### Waterproof Strip

For fixed Panels



2 mt lengths

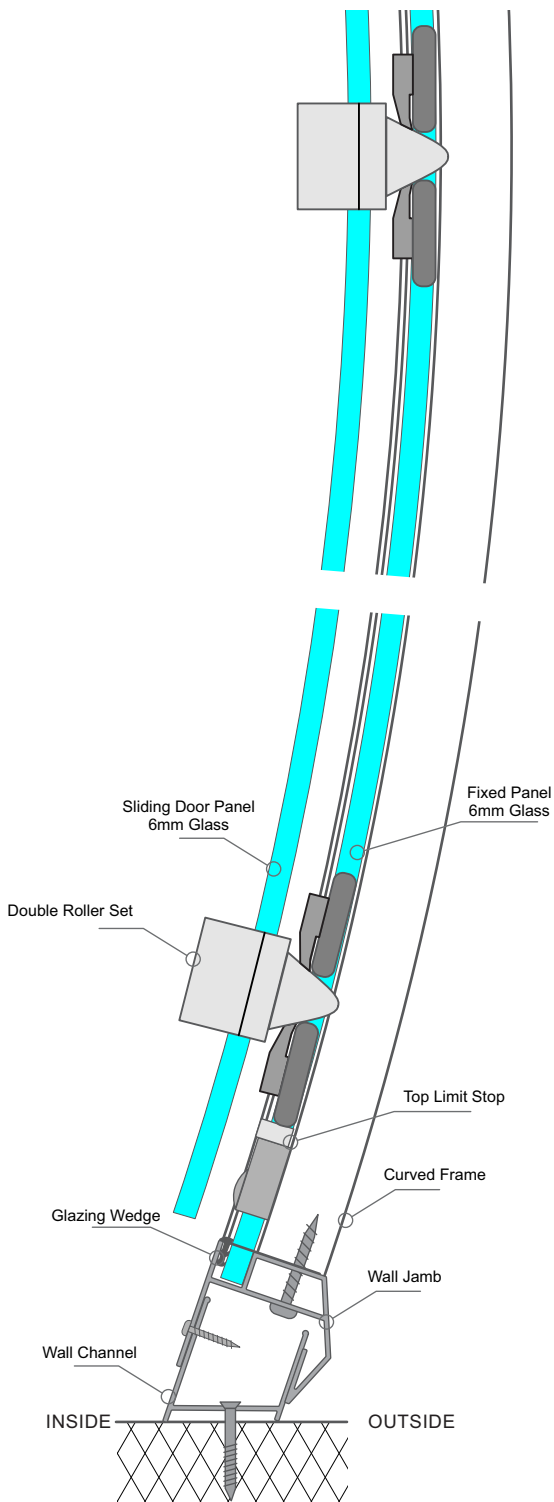
### Glazing Wedge



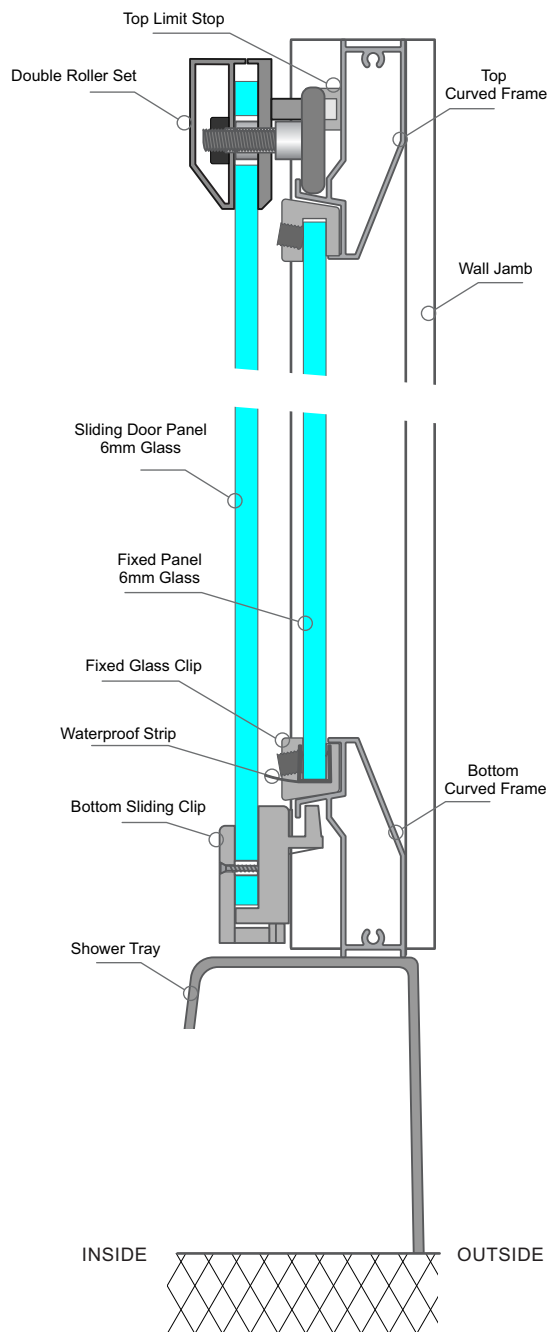
2.5 mt lengths

# Juralco Circa® Shower Door System - Typical Sections

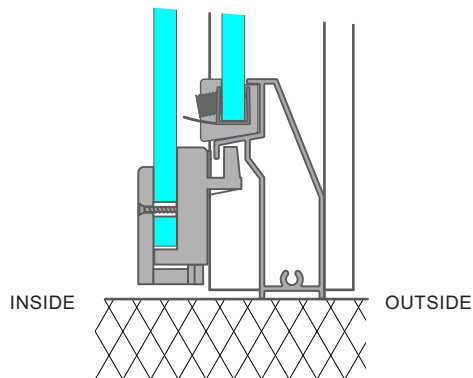
## Typical Sections



**Typical Horizontal Section**

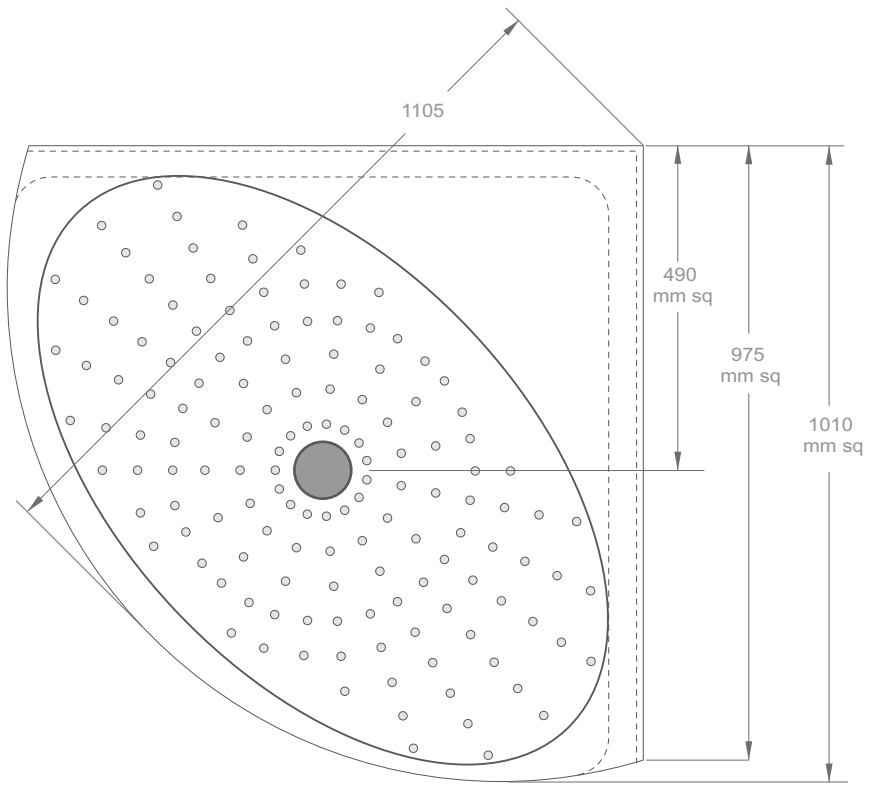


**Typical Vertical Section Shower Tray**



**Typical Vertical Section Direct to Tiles**

Shower Tray Sizes



- Unit height 1850mm
- Door entry opening 510mm
- Tray Height 80mm

Model D100N Nominal Tray Size 1000mm x 1000mm

# Juralco Circa® Shower Door Systems - Installation

## Shower Tray, Linings Installation

**Note: Prior to delivering to site, unpack and check all items**

### INSTALLATION

- 1 - Unpack all components, inspect for damage.
- 2 - Carefully read the instructions.
- 3 - Assemble all necessary tools.
- 4 - Prepare the site.

### CIRCA PACKING LIST

- 2 x Curved Glass Fixed panels
- 1 x Curved Glass, Sliding Door
- 2 x Curved Tracks, for top and Bottom
- 2 x Wall Channels
- 2 x Wall Stiles
- 1 x Tee Handle
- 2 x Waterproof rubber strips
- 2 x Sealing Strips for fixed panels
- 8 x No 8 x 30 SS self tapper screws
- 6 x No 6 x 30 SS self tapper screws
- 6 x No 6 x 10 SS self tapper screws
- 6 x Wall plugs
- 2 x Panel adhesive
- 1 x Coloured NG Silicone Sealant

### TOOLS NEEDED

- Caulking Gun
- Pencil
- Hammer
- Nails
- Drill Gun
- Drills
- Tape measure
- Screwdrivers
- Spirit Level

- 1 - **Drainage** - It is best that the hole width in the concrete/wooden, floor for the waste does not exceed 200mm diameter. Once waste has been positioned the hole should be backfilled. NOTE - Warranty will be void if tray has not been adequately supported.
- 2 - **Site Preparation** - Check all walls are square and level. If not, you may need to correct by adjusting with packing as required.
- 3 - **Framing** - The **Top**, **Bottom** and **Vertical** edges of the Lining must be supported by framing.

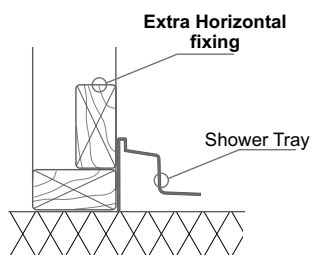


Fig 1

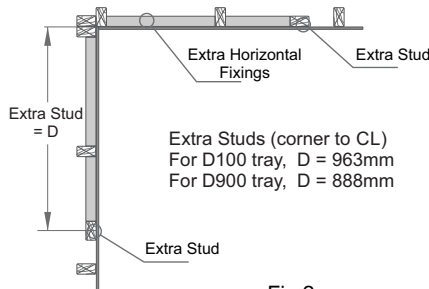


Fig 2

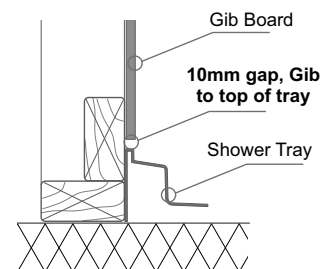


Fig 3

Horizontal fixing should be as in Fig 1 above. Additionally at the top edge of the Lining. Vertical studs fixing should be as in Fig 2 above. Wall Trays require clearance between studs. Framing should not extend 50mm past the front of the tray.

- 4 - **Protection** - While Installing the Shower Kit it is advisable to place a suitable soft cloth inside the shower tray to protect it while assembling the unit.
- 5 - **Gib Board** - Place tray in position and run a pencil line around the top and front edge of the tray. Remove the tray, and cut 10mm above the marked line. On the front edge cut 10mm inside the line (see Fig 3 above). Remove gib-board. Renail cut edge to the studs after removal of gib board. The tray does not require checking into the studs
- 6 - **Waste** - Connect the waste outlet, using instructions supplied with the waste kit, before final fitting.
- 7 - **Dry fit linings** - Scribe if required to ensure neat fit around top of tray. The front edge of the linings should finish flush with the front edge of the tray.
- 8 - **Plumbing Fittings** - Mark and drill holes for plumbing fittings. These can be cut out with a holesaw or a series of holes using a blunt drill bit. The drill bit must be be "blunted" to prevent grabbing. Ensure linings are fully supported behind for the drilling operation.
- 9 - **Linings** - a - Reposition the wall lining on the tray and mark around the outer edges to indicate the glue line.

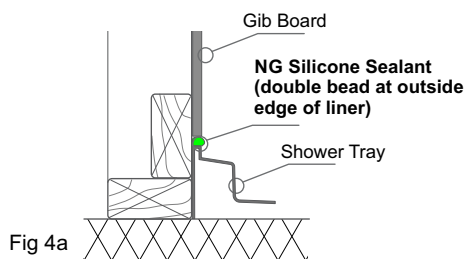


Fig 4a

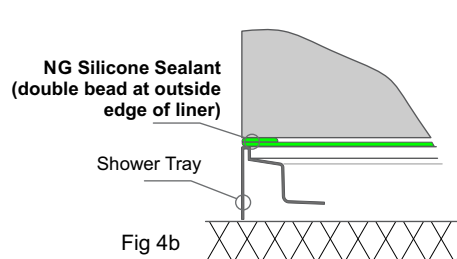
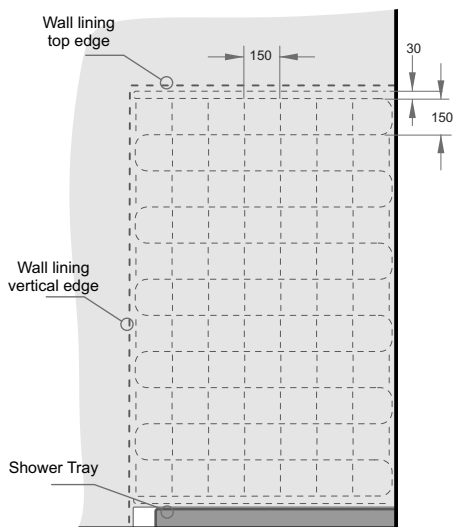


Fig 4b

b - Before fitting the wall lining, apply a continuous bead of silicone sealant along all the upstand of the shower tray. Apply a second bead 50mm long at the each of the front corners of the tray as in Figs 4a, b above.

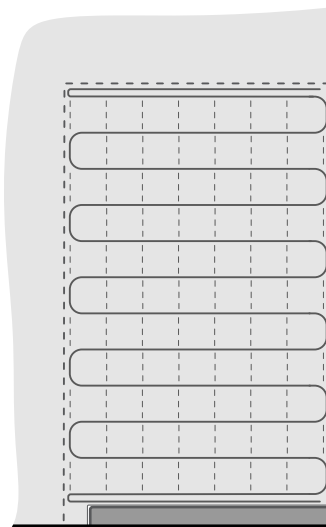


- 10 - **Adhesive.** Before fitting the liner, ensure both surfaces to be bonded are clean, dry and grease free. Wipe down the liner surface to be absolutely clean. Do not stop, seal or sand the gib surface, as this will affect adhesion.  
Using only the adhesive supplied apply as in the steps shown below.  
Do not apply as blobs - this will cause unsightly ripples/bumps in the liner. Do not overlap beads.



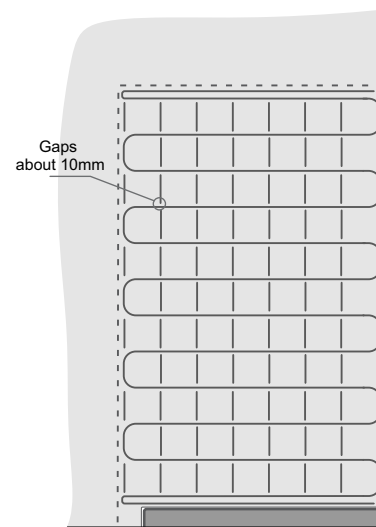
### Wall lining Adhesive Step 1

- With lining in place mark the top and vertical edges of the lining.
- Remove lining.
- Mark out a grid approx 150mm sq, starting 30mm from the top and vertical edges of lining, and 30mm above the shower tray.
- Repeat for the other walls.



### Wall lining Adhesive Step 2

- Apply a smooth continuous horizontal bead of the adhesive supplied as shown above.
- Bead to be 5-6mm wide



### Wall lining Adhesive Step 3

- Apply vertical beads of the adhesive supplied as shown above
- Each vertical bead about 130mm long, ie stops about 10mm short of the horizontal beads.
- DO NOT overlap beads.**
- Wait 5-10mins before applying the Lining.

- 11 - **Apply Liner.** Now place the shower liner onto the walls. Starting from the corner work outwards towards the edge, removing any rippling. Then firmly press over the entire sheet, ensuring that complete contact with all beads of adhesive is achieved. All to Fig 5 below.
- 12 - **Bracing.** It is important that all liners be braced in position. Bracing should remain in position for not less than 18 hours. Do not use the shower for at least 24 hours after installation.
- 13 - **Silicone.** In line with BRANZ recommendation, we suggest that silicone be applied to the top edge of the acrylic liner. This is to prevent any moisture penetrating down behind the lining. See Fig 6 below.
- 14 - **Clean up.** Clean off all marks and any excess sealant or adhesive. Leave the site clean and tidy.

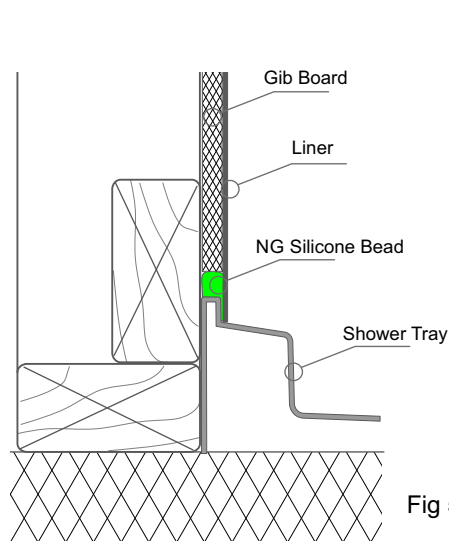


Fig 5

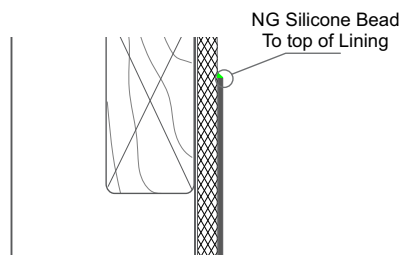


Fig 6

The Warranty period is 5yrs from date of purchase for the replacement of the product due to any manufacturing defect.

- The installation must be as per these instructions.
- Water temperature should not exceed 55deg C.
- Cleaners used must be suitable for Acrylic surfaces.

# Juralco Circa® Shower Door Systems - Installation

## Doors, Fixed Panels Installation

- 1 - Unpack all components, inspect for damage.
- 2 - Carefully read the instructions.
- 3 - Assemble all necessary tools.
- 4 - Install Wall Channel

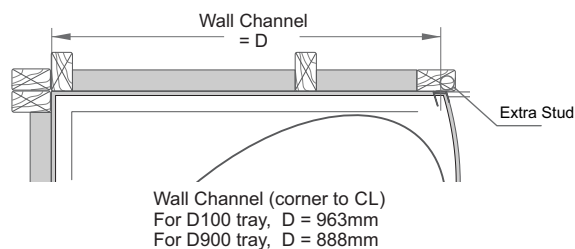


Fig 3a

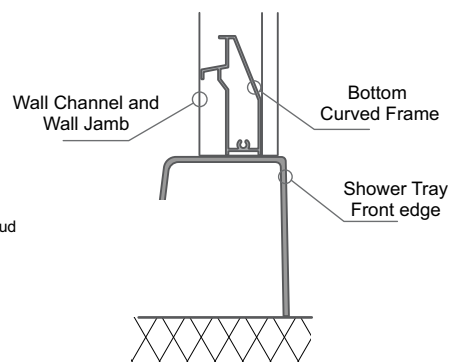


Fig 3b

To install the wall channel, measure as above (see Figs 3a, 3b).

Also check that the bottom curved frame lines up with the top of the Tray.

Drill 4 x holes through the wall channel 5mm in diameter. Drill into the studs 35mm, ensuring the jambs are plumb.

Use 6 x 30 self-tapping screws to fasten both wall channels onto the wall.

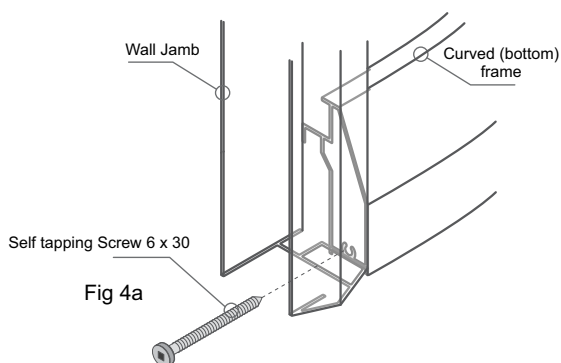


Fig 4a

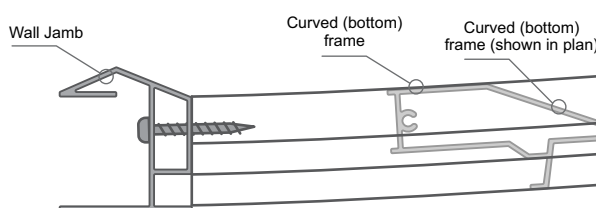


Fig 4b

5 - Assemble Frame Place the **bottom** Curved frame on the ground and screw the Wall Jambs to each end using the screws (see Figs 4a, 4b above).

6 - Install Glass Fixed Panels Install the two Glass side panels into the bottom Curved Frame and Wall Jamb. The smaller of the two Panels should be positioned on the closing side of the door.

7 - Assemble Fixed Panels into Frame

Place the top Curved Frame in position and screw the top Curved Frame to the Wall Jambs.

Tighten all Glass clips 113 to secure the glass panels in place.

Attach Waterproof strips 018 to the bottom edges

Attach Glazing wedge C114 to the Glass / Jamb join.

At this stage you have a complete frame, with 2 x Glass fixed panels in position.

8 - Assemble Fixed Panels + Frame onto Tray - lift the fixed panel assembly onto the Tray.

Attach the rubber sealing strips to the outer edges and plastic water-proof strips to the inner edges of the fixed panels.

Align the shower unit and drill 3 x 3.2mm diameter holes through the inside face of the Wall Jambs into each wall Channel.

Use self tapping screws 8 off 6g x10 to fasten these together.

9 - Installing the Door Two wheels have been pre-installed on the top of the sliding panel and two spring hooks on the bottom for a left to right sliding installation.

Up end the door panel and swap these components if the door is to be installed sliding right to left. Install the sliding door wheels into the top tracks and gently pull the clips at the bottom of the panel down to install in the bottom track.

If necessary, lubricate the wheels and hooks to ensure they slide smoothly.

10 - Install the handle.

11 - Final Check Adjust the top wheels with the spanner supplied to ensure the Sliding panel is level and closes properly.

12 - Sealing After the installation apply clear silicone along the outside bottom edge of each fixed panel where the glass meets the frame. Clean up joint immediately.

13 - Cleanup After at least 24 hours wash the frame and glass with a shower type cleaner. Leave the site clean and tidy.

