



 JURALCO


# JURALCO LOUVRELITE® WINDOW SURROUND SYSTEM

ISSUE 10-24 v1

## Juralco Louvrelite® Window Surround System

Juralco Aluminium Building Products Ltd designs and distributes specialist aluminium joinery systems through a national network of franchised fabricators and agents. For more than 25 years we have been at the forefront of specialist aluminium door and window products suitable for New Zealand joinery and building methods. Our comprehensive product range includes security and insect screens, balustrades and gates, shutters and awnings, shower screens, wardrobe doors and organisers and internal doors. The Juralco Louvrelite Window Surround System is designed for high end Residential and Multi Unit apartment blocks to provide an aesthetically pleasing and economical decorative facade solution.

### Index

Type	Pages	Description	<a href="#">Use the Bookmarks</a>  <a href="#">List to jump to selected pages</a>
Specifications	3	Juralco and Powder Coating Specifications	
Extrusions	4	Shows Extrusions	
Components	5	Shows Components	
Cutting	6	Shows cutting deductions, Mitre and Butt joins	
Max Sizing	7	Shows Max Window surround Sizing + attachment points	
Attaching to Framing	8	Shows installation details for attaching through Cladding	
Attaching to Brickwork	9 - 11	Shows installation details for attaching through Brickwork	
Powder coat care	12	Instructions for the care of Powder coated surfaces	



## Specifications for Juralco Louvrelite® Window Surround System

### 1. Scope

- This specification details the documents the Juralco Louvrelite® Window Surround System refers to, in relation to the New Zealand Building Code, the manufacturer's documents, products used in the System and requirements in relation to fixing and surface finishing.
- The Juralco Louvrelite window surround system is a decorative cladding element that is designed to be installed on top of a rainscreen cladding over a drained and ventilated cavity.
- It has not been designed for restraining loads or other loads other than specified in this manual.

### 2. NZBC Compliance.

- The Juralco Louvrelite® Window Surround System has been reviewed by Lautrec Technology Group Ltd to demonstrate compliance with the structural requirements of the New Zealand Building Code, B1 Structure, AS/NZS 1170.0-2002 Structural Design Actions-Part 0: General Principals  
AS/NZS 1170.1-2002 Structural Design Actions~Part 1: Permanent, imposed and other actions  
AS/NZS 1170.2-2011 Structural Design Actions-Part 2: Wind Actions.  
AS/NZS 1664.1:1997 Aluminium structures limit state design  
AS/NZS 1720.1:2022 Timber structures standard  
NZS 3404:1997 Steel structures standard  
NZS3604 Wind Zones, to Very High and SED Limit up to Wind Pressure ULS = 3.0kPa

### 3. Manufacturer's Documents

- The Juralco Louvrelite® Window Surround System manual details all extrusions and components used for the fabrication and installation/fixing of the system.
- A Producer Statement 1(Design) is available. This applies to only some aspects of this manual. Copies of the above documents are available from:  
Juralco Aluminium Building Products Ltd  
48 Bruce McLaren Rd, Henderson, Auckland  
Phone 09 478 8018 Fax 09 478 7883 Email specify@juralco.co.nz
- Any deviation from the standard fabrication or installation/fixing must be accompanied by a site specific PS1 with site specific calculations and drawings.

### 4. Products

- Only extrusions, components and hardware supplied by or specified by JABP may be used in the Juralco Louvrelite® Window Surround System
- Aluminium extrusions, components and hardware – unless specified are manufactured to 6060 T5 specifications
- Stainless Steel components, hardware, fixings – all components to 316 grade.

### 5. Surface Finishing

- Juralco Aluminium Building Products Ltd is a Dulux Registered Applicator site, registration number 2101. JABP uses only Dulux branded powder coating materials
- Dulux Duralloy® powder coating systems are suitable for properties greater than 100m from high tide level AAMA 2603 performance. Residential buildings, 3 levels max. Warranty 10 yrs
- Dulux Duralloy Plus® powder coating systems are suitable for properties greater than 10m from high tide level. AAMA 2603 performance. Residential and Light commercial buildings, 3 levels max. Warranty 15 yrs
- Dulux Duratec® powder coating systems are suitable for properties greater than 10m from high tide level AAMA2603 and 2604 performance. All Residential and Commercial buildings. Warranty 25 yrs

### 6. Installation and Fixing

- The Juralco Louvrelite® Window Surround System must only be installed in accordance with the Juralco Louvrelite® Window Surround System manual
- Any deviation from that specified in the Juralco Louvrelite® Window Surround System manual must only be in accordance with the site specific PS1 with site specific calculations and drawings listing the non standard details
- The Juralco Louvrelite® Window Surround System must only be fabricated/installed by a Juralco approved fabricator
- Upon completion of the installation the fabricator must supply the owner with a PS3 (Construction)

#### Important information - Powder Coating systems.

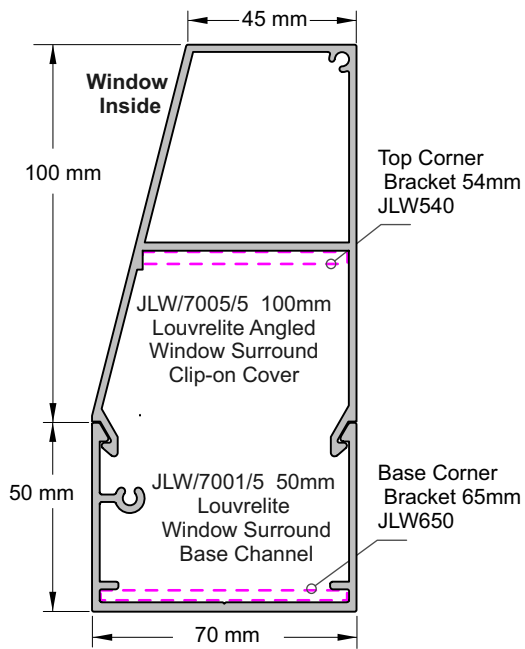
**Powdercoat Systems** The new standard Dulux powder coating system used by Juralco is Duralloy Plus®. Also Duralloy® and Duratec®. All as per specs above. Juralco Powder coated prices are for Duralloy Plus® and Duralloy® (same pricing). Duratec® prices on application.

**Attachment to structures** A PVC Tape or similar material spacer must be used to separate powder coated aluminium items from all concrete and steel structures. Failure to do so can lead to the chemicals in the structure affecting the powder coating, leading to corrosion.

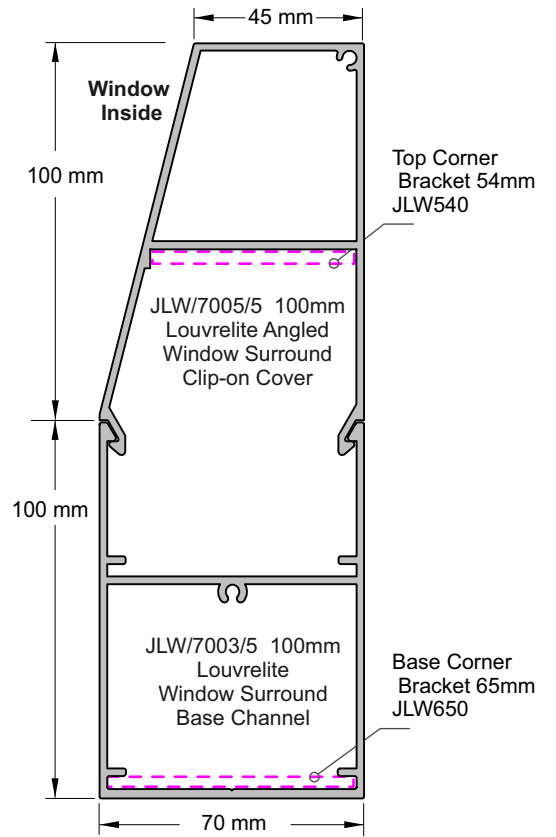
**Swimming Pools** The chlorinated water in swimming pools can cause the deterioration of powder coated surfaces, leading to corrosion of the underlying surface. It is recommended that Powder coated surfaces be 1200mm min from a pool.

**Care** The Dulux powder coating warranty period is conditional upon the surface being maintained in accordance with the Dulux 'Care and Maintenance Instructions'. Download from Dulux or refer to the back page of this manual.

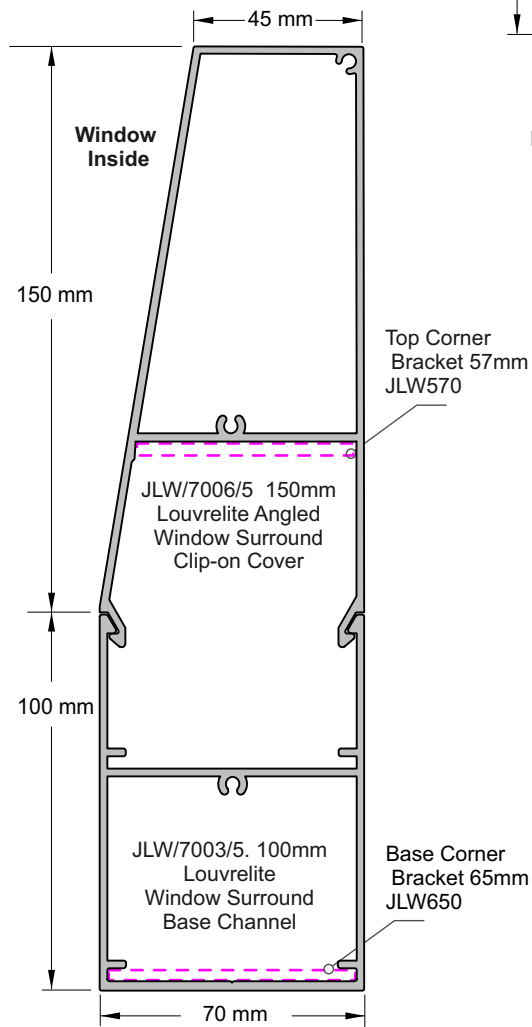
## Juralco Louvrelite® Window Surround System - Extrusions



150mm Window Surround  
Base Channel and Clip-on Cover  
Powder Coated AL Extrusion

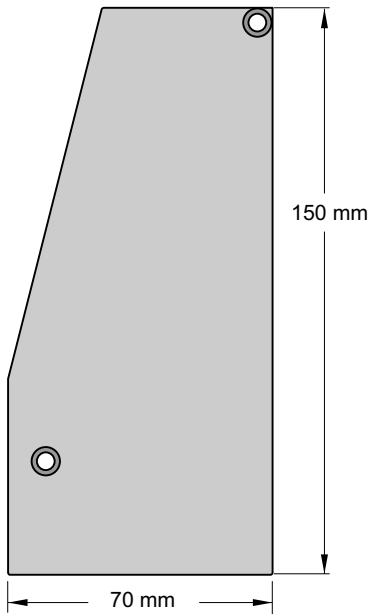


200mm Window Surround  
Base Channel and Clip-on Cover  
Powder Coated AL Extrusion

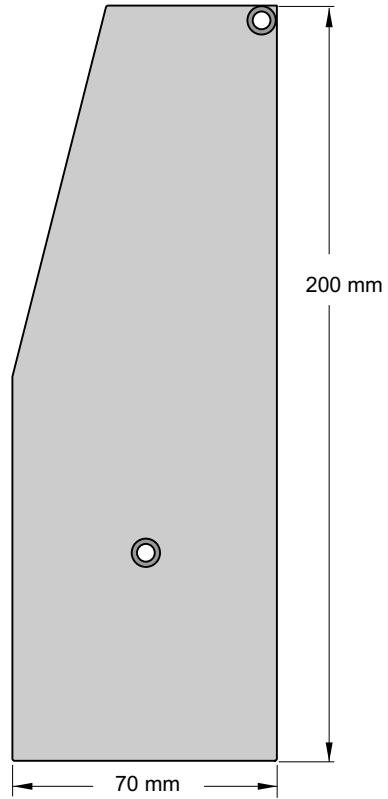


250mm Window Surround  
Base Channel and Clip-on Cover  
Powder Coated AL Extrusion

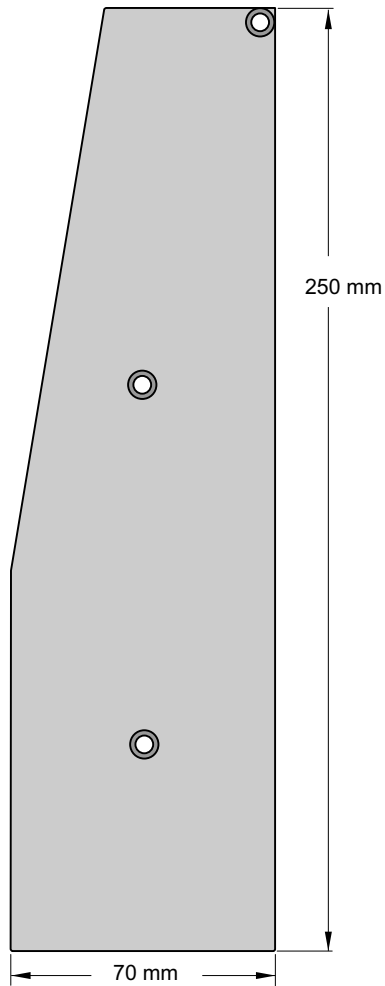
# Juralco Louvelite® Window Surround System - Components



JLW705 150mm  
Window Surround End Cap  
Powder Coated. 3mm AL

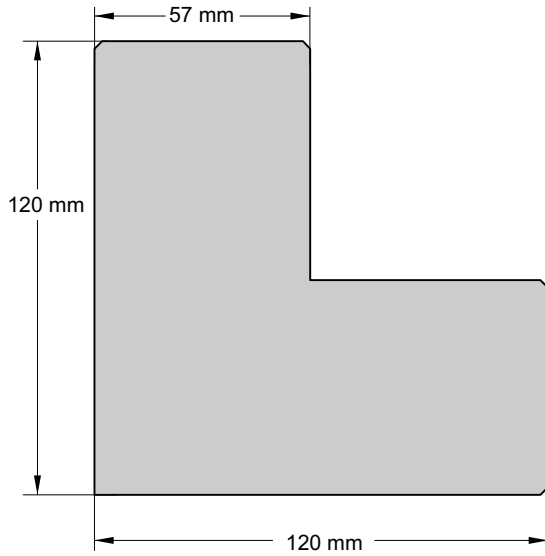


JLW706 200mm  
Window Surround End Cap  
Powder Coated. 3mm AL

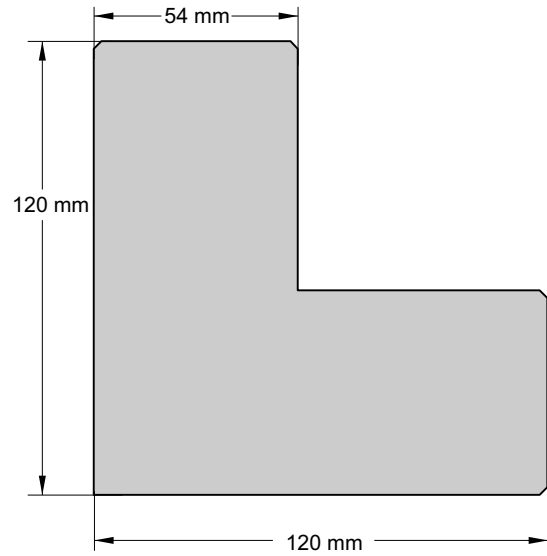


JLW707 250mm  
Window Surround End Cap  
Powder Coated. 3mm AL

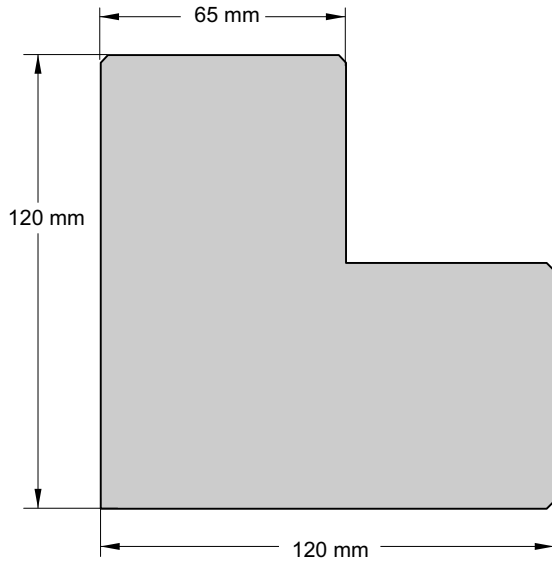
# Juralco Louvelite® Window Surround System - Components



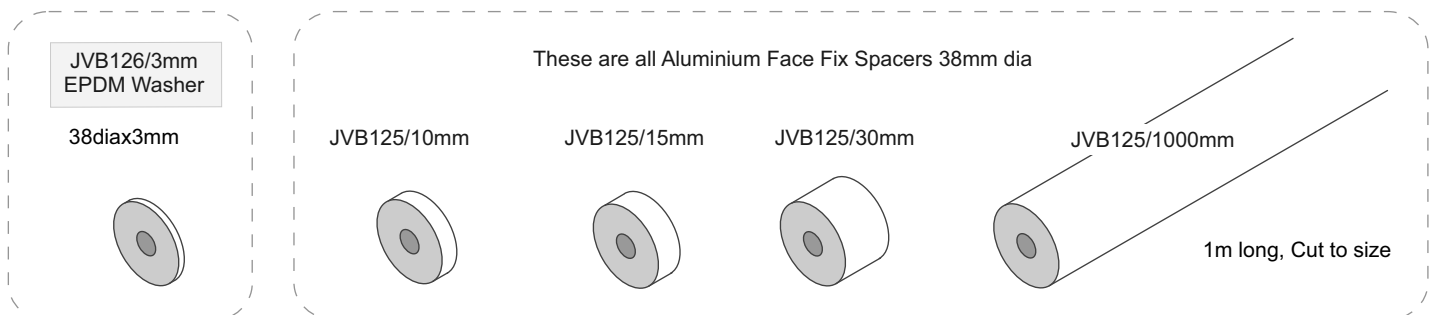
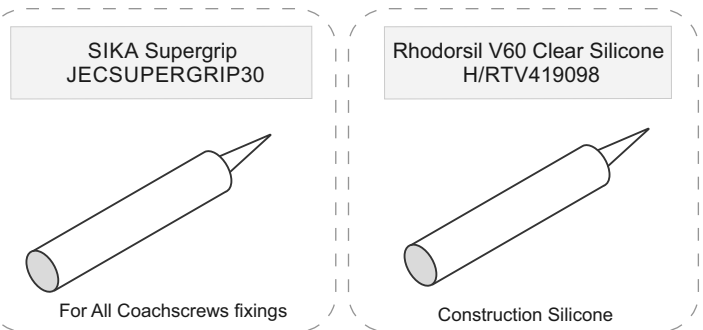
**JLW570**  
Top Window Surround Corner Bracket 57mm  
3mm AL (for 250mm Bracket)



**JLW540**  
Top Window Surround Corner Bracket 54mm  
3mm AL (for 100mm and 150mm Brackets)

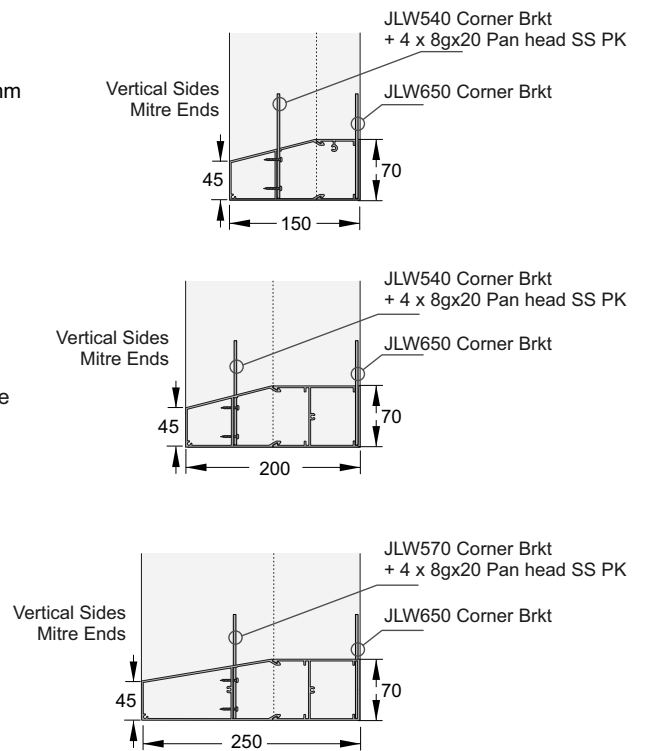
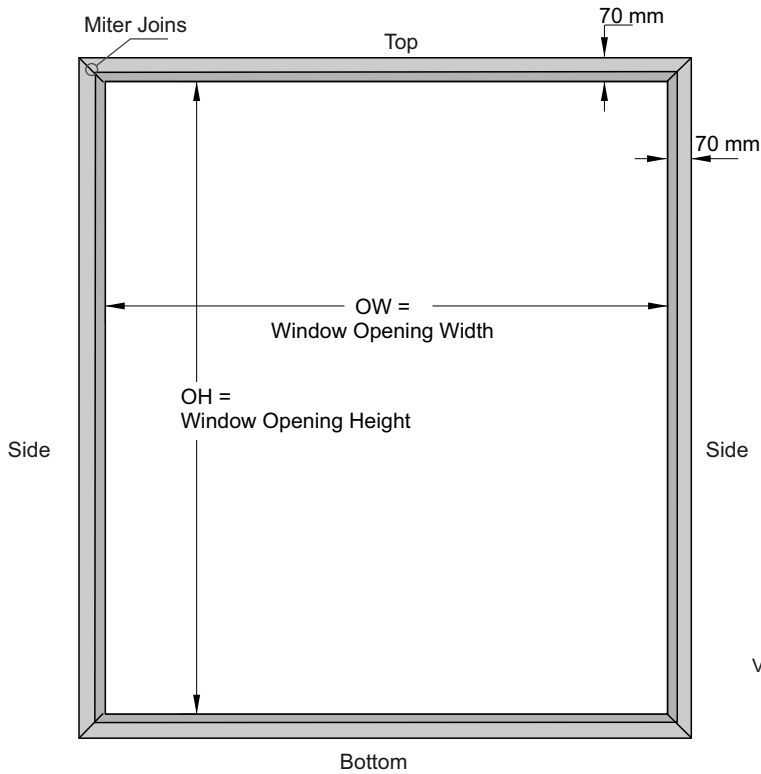


**JLW650**  
Base Window Surround Corner Bracket 65mm  
3mm AL (For All Brackets)



## Juralco Louvelite® Window Surround System - Cutting

Mitre Joins.  
All 4 x Corners

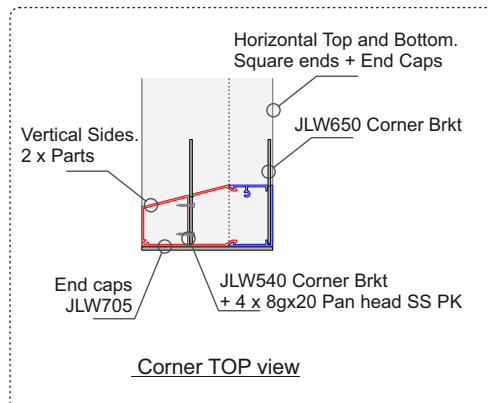
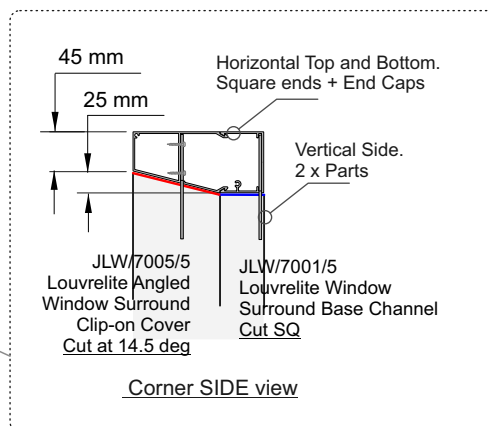
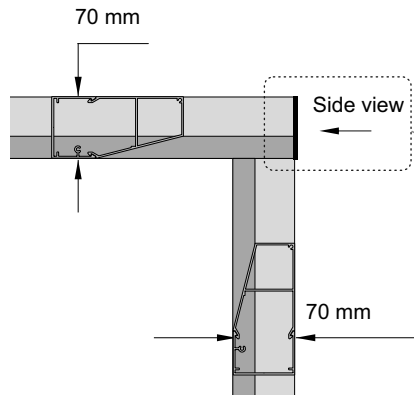


Cutting, 4 x Sides, Mitre Join Corners	
All 4 x Sides	OH/OW + 140

Butt Joins.  
All 4 x Corners

JLW/7001/5 50mm Louvelite Window Surround Base Channel  
JLW/7005/5 100mm Louvelite Angled Window Surround Clip-on Cover

Note - All 4 x corners: Both sections will need machining to provide a clean joint and provide access to the Corner Brackets

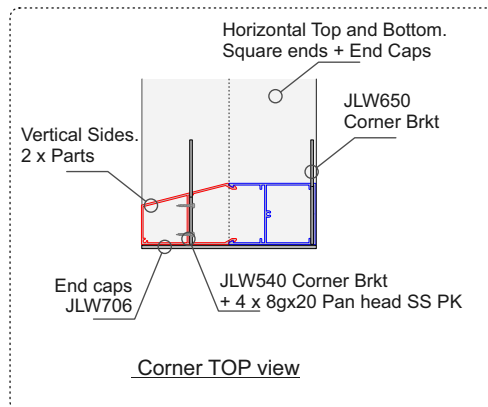
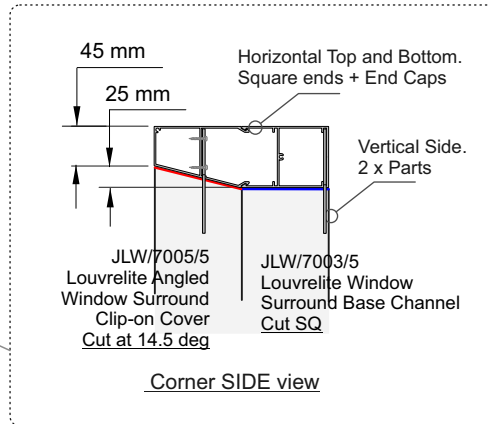
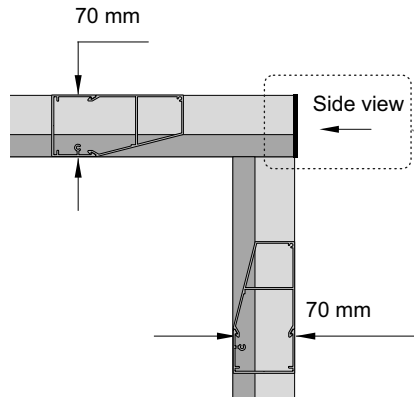


## Juralco Louvelite® Window Surround System - Cutting

Butt Joins.  
All 4 x Corners

JLW/7003/5 100mm Louvelite Window Surround Base Channel  
JLW/7005/5 100mm Louvelite Angled Window Surround Clip-on Cover

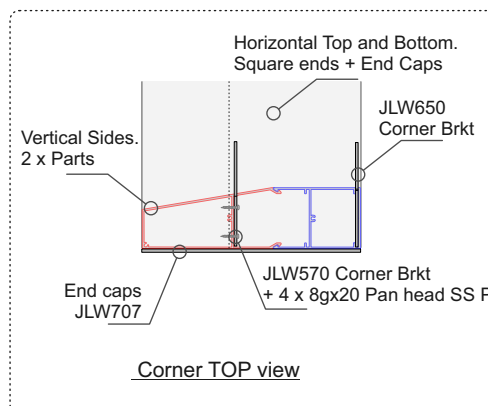
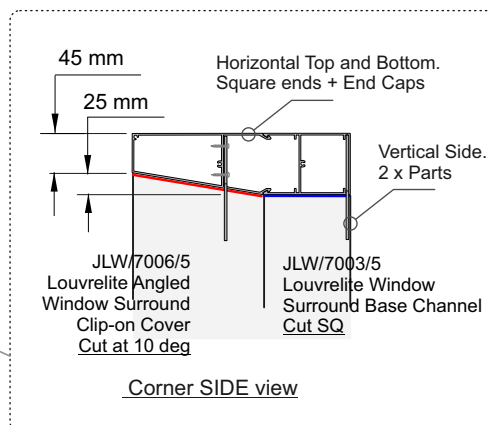
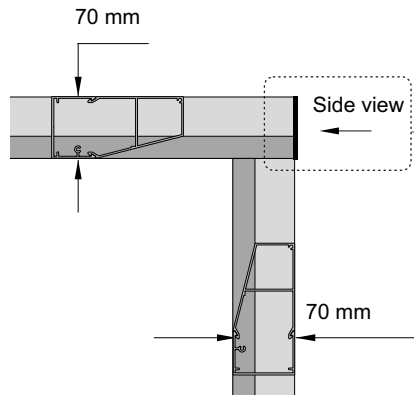
Note - All 4 x corners: Both sections will need machining to provide a clean joint and provide access to the Corner Brackets



Butt Joins.  
All 4 x Corners

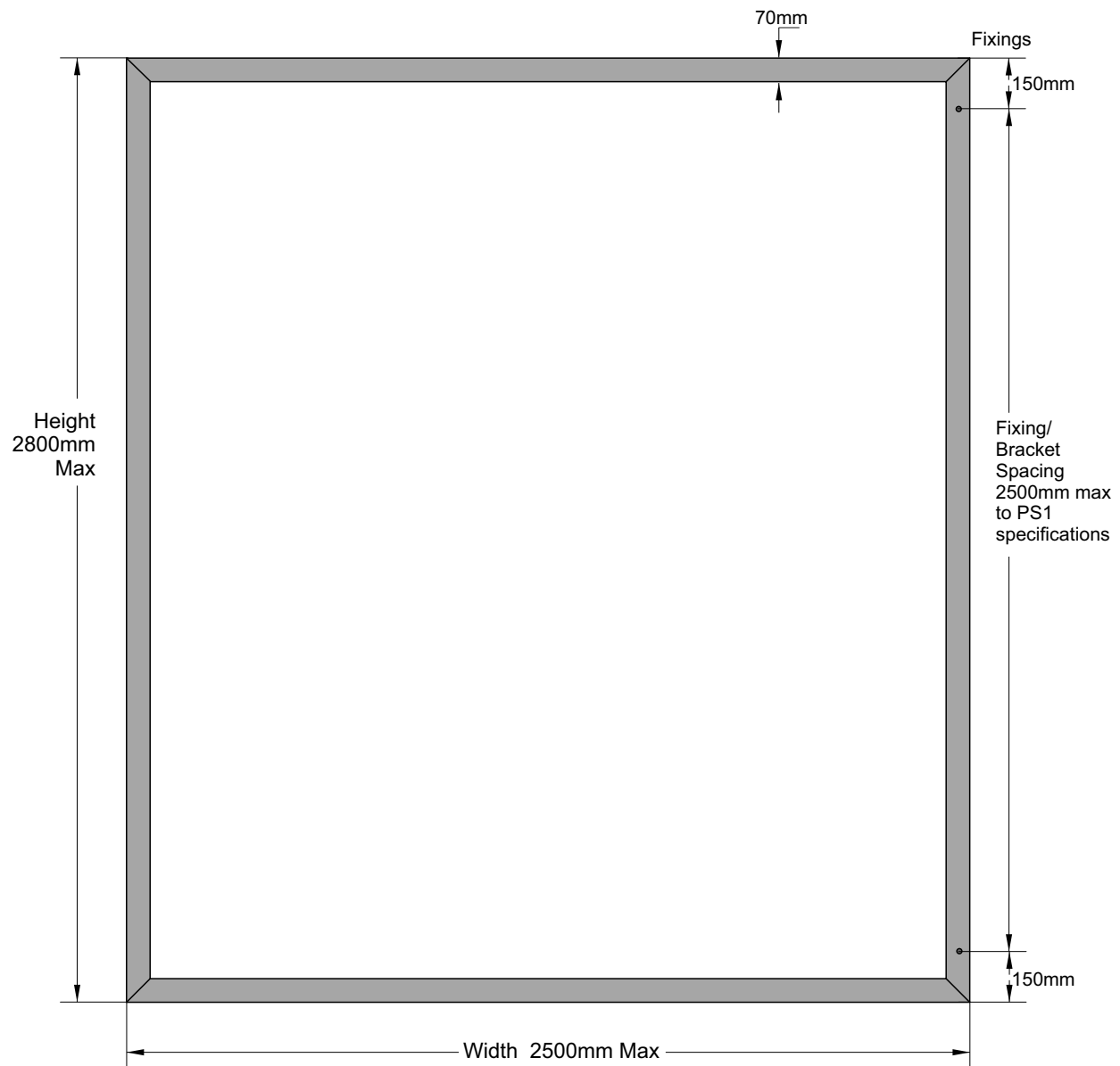
JLW/7003/5 100mm Louvelite Window Surround Base Channel  
JLW/7006/5 150mm Louvelite Angled Window Surround Clip-on Cover

Note - All 4 x corners: Both sections will need machining to provide a clean joint and provide access to the Corner Brackets





## Juralco Louvrelite® Window Surround System - Max Sizes, Fixings

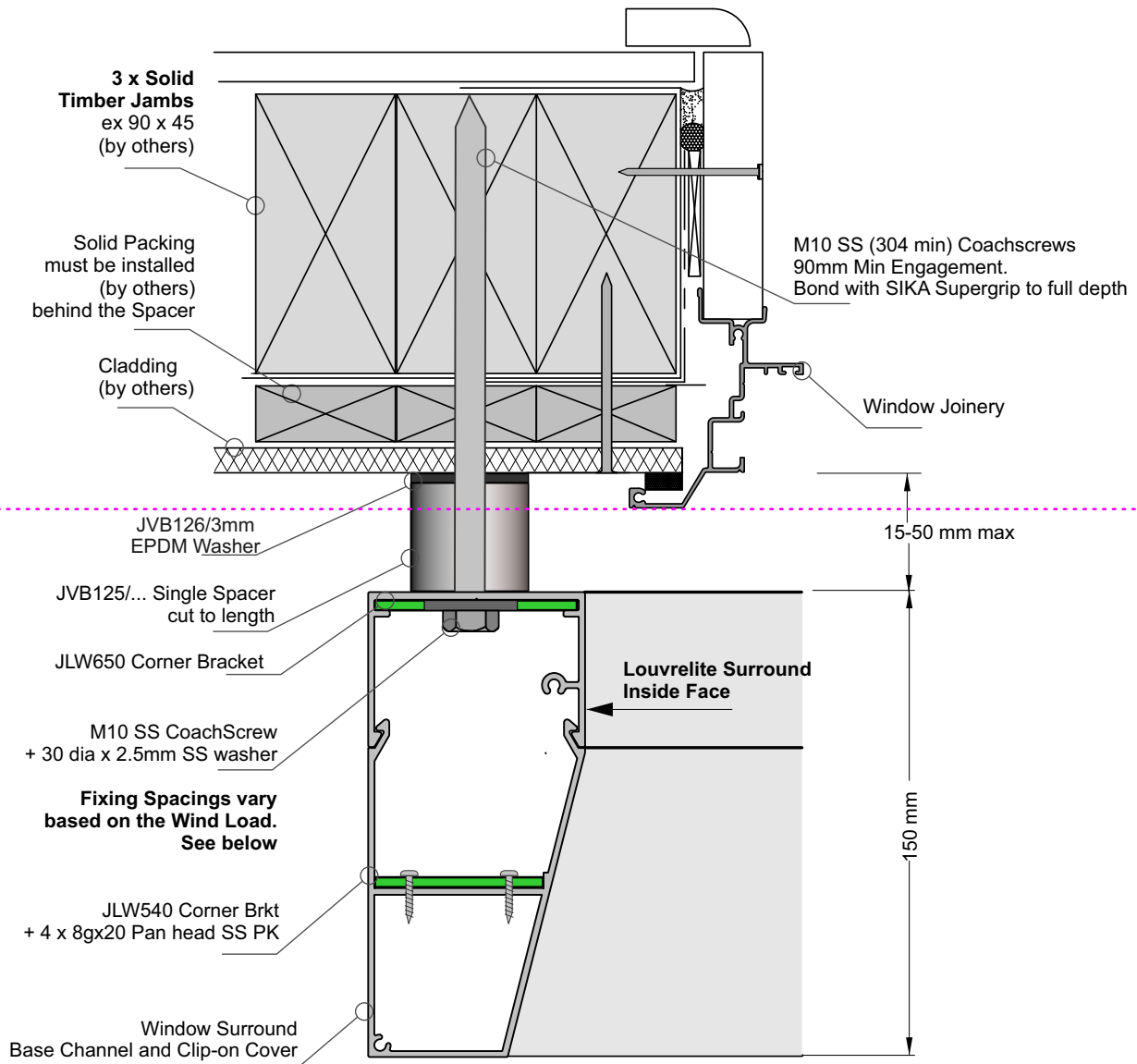


### Important Notes:

- These are for Jamb only Fixings
- Specific Engineering design is required for Dimensions larger than these.
- Brackets and Bracket fixings are project specific and outside the scope of this PS1

**Juralco Louvrelite® Window Surround System**  
**Typical Installation through a Cladding Facade + Packers into Timber**

**All Building Construction and Waterproofing by others**



**Installation Options**

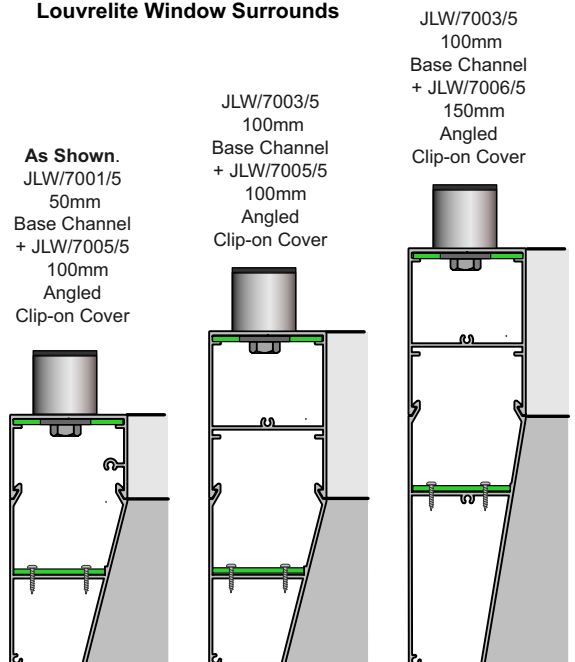
- Four corners, all mitred, no End Caps
- Four Corners Butted with 4 x End Caps
- Two corners Butted with 2 x End caps  
other 2 x corners mitred

Wind Loads		Fixings					Spacers	
NZS3604 Zone	ULS kPa	Substrate	Size	Type	No fixings ea Jamb	Max Spacing fixing	Max Cavity Depth	Max Offset from Cladding
Low	1.2	Timber	M10	Coach screw	2	2500	Solid packing at Fixings	50
Medium	1.6				3	1250		
High	2.2				4	800		
Very High	2.9				5	650		
SED	3.0				5	650		

**Important Notes**

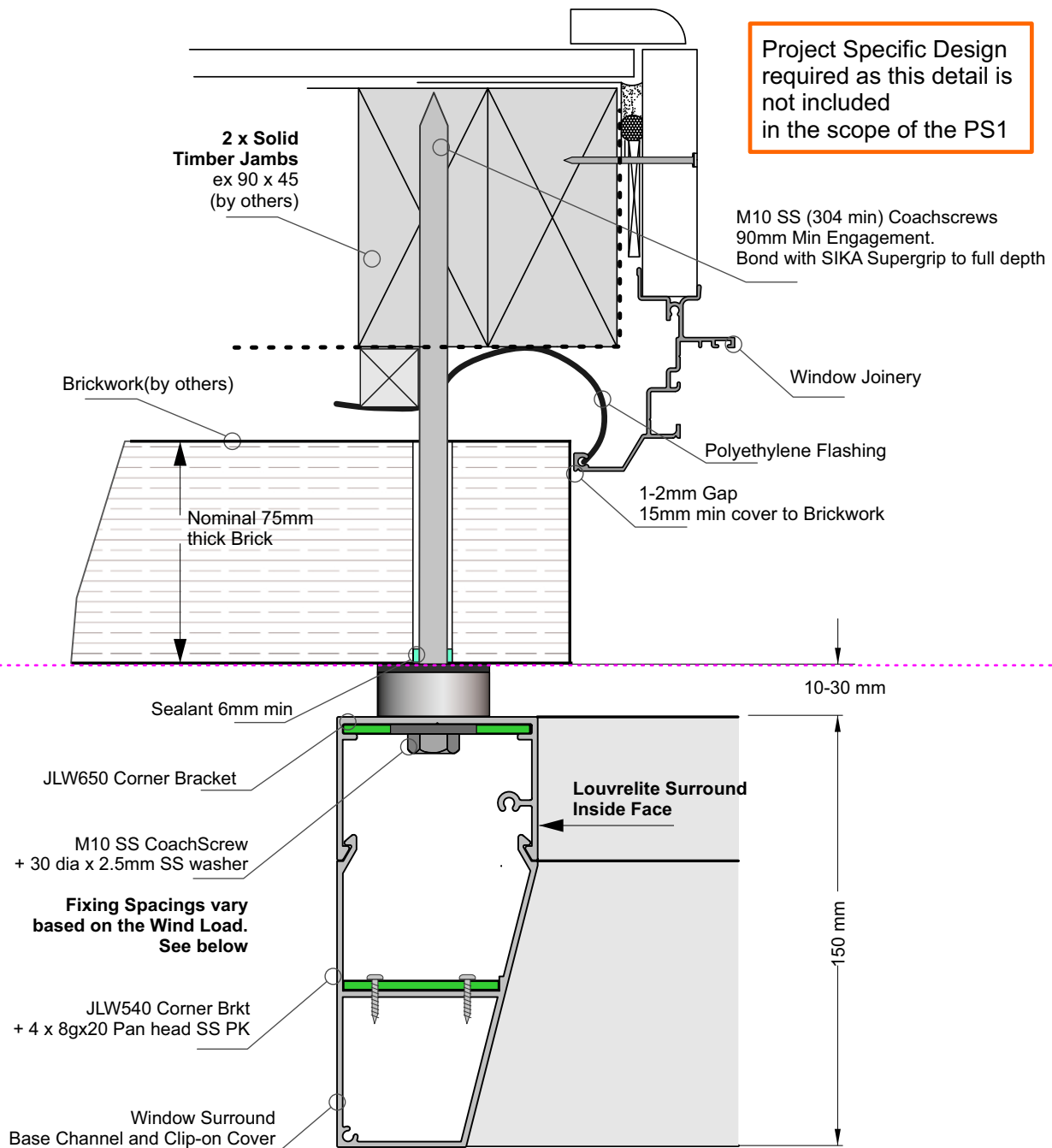
- All dimensions mm
- Assume all fixings to adequate Timber structure by others
- All fastenings, SS304 Class 70 minimum
- Fixing spacings specified are a maximum. Spacings less than those specified are acceptable
- Specification is only for the solid fixing of the LouvreLite Window surround system at each Jamb, for the maximum sizes outlined.
- Other fixing specifications are outside this PS1 and require a Project specific design

**Louvrelite Window Surrounds**



**Juralco Louvelite® Window Surround System**  
**Typical Installation through Brick Facade into Timber**

**All Building Construction and Waterproofing by others**



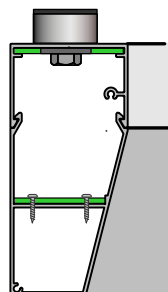
Project Specific Design required as this detail is not included in the scope of the PS1

**Louvelite Window Surrounds**

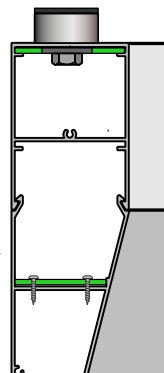
**Installation Options**

- Four corners, all mitred, no End Caps
- Four Corners Butted with 4 x End Caps
- Two corners Butted with 2 x End caps other 2 x corners mitred

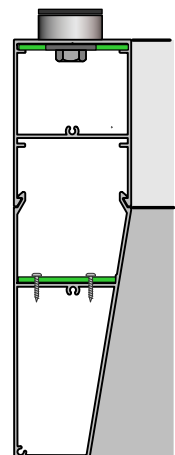
As Shown.  
 JLW/7001/5  
 50mm  
 Base Channel  
 + JLW/7005/5  
 100mm  
 Angled  
 Clip-on Cover



JLW/7003/5  
 100mm  
 Base Channel  
 + JLW/7005/5  
 100mm  
 Angled  
 Clip-on Cover



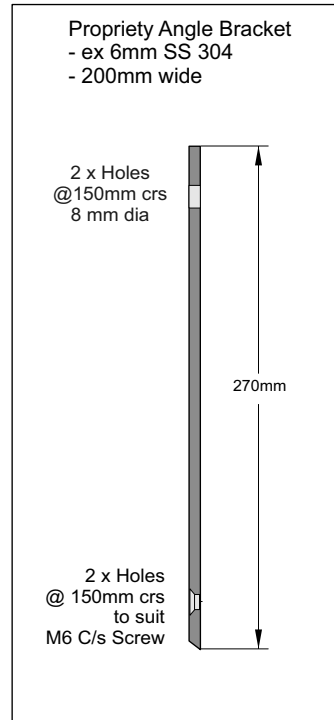
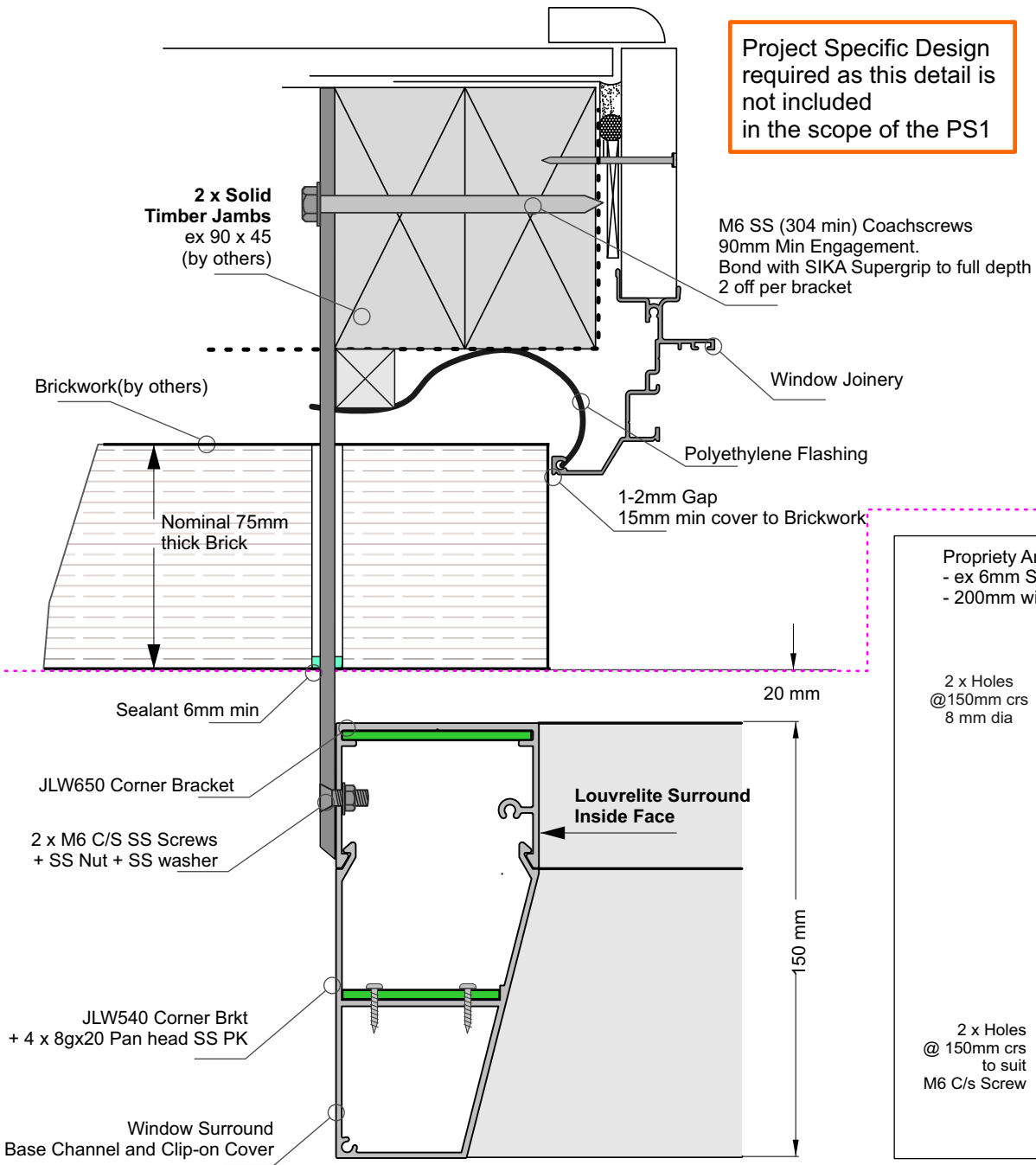
JLW/7003/5  
 100mm  
 Base Channel  
 + JLW/7006/5  
 150mm  
 Angled  
 Clip-on Cover



**Juralco Louvelite® Window Surround System  
Typical Installation through Brick Facade into Timber**

**All Building Construction and Waterproofing by others**

Project Specific Design  
required as this detail is  
not included  
in the scope of the PS1

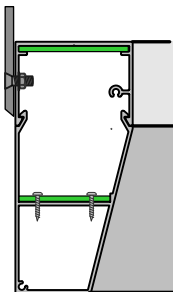


**Louvelite Window Surrounds**

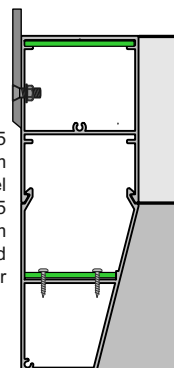
**Installation Options**

- Four corners, all mitred, no End Caps
- Four Corners Butted with 4 x End Caps
- Two corners Butted with 2 x End caps other 2 x corners mitred

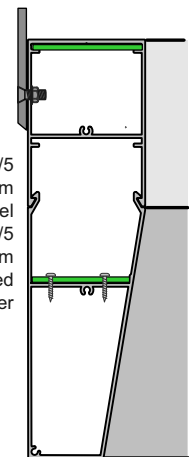
As Shown.  
JLW/7001/5  
50mm  
Base Channel  
+ JLW/7005/5  
100mm  
Angled  
Clip-on Cover



JLW/7003/5  
100mm  
Base Channel  
+ JLW/7005/5  
100mm  
Angled  
Clip-on Cover

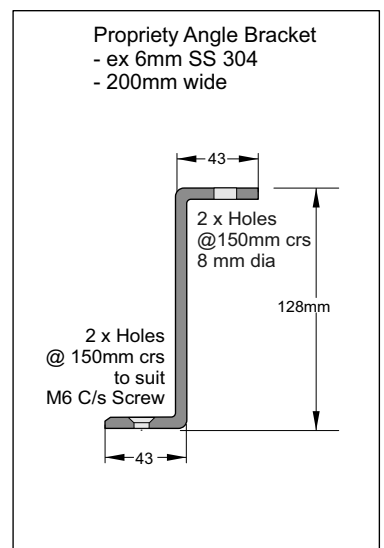
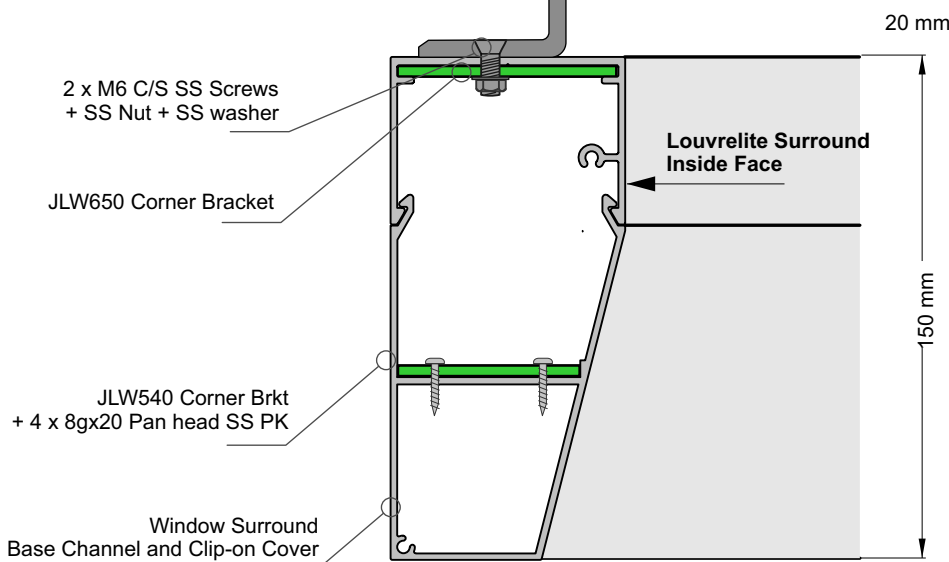
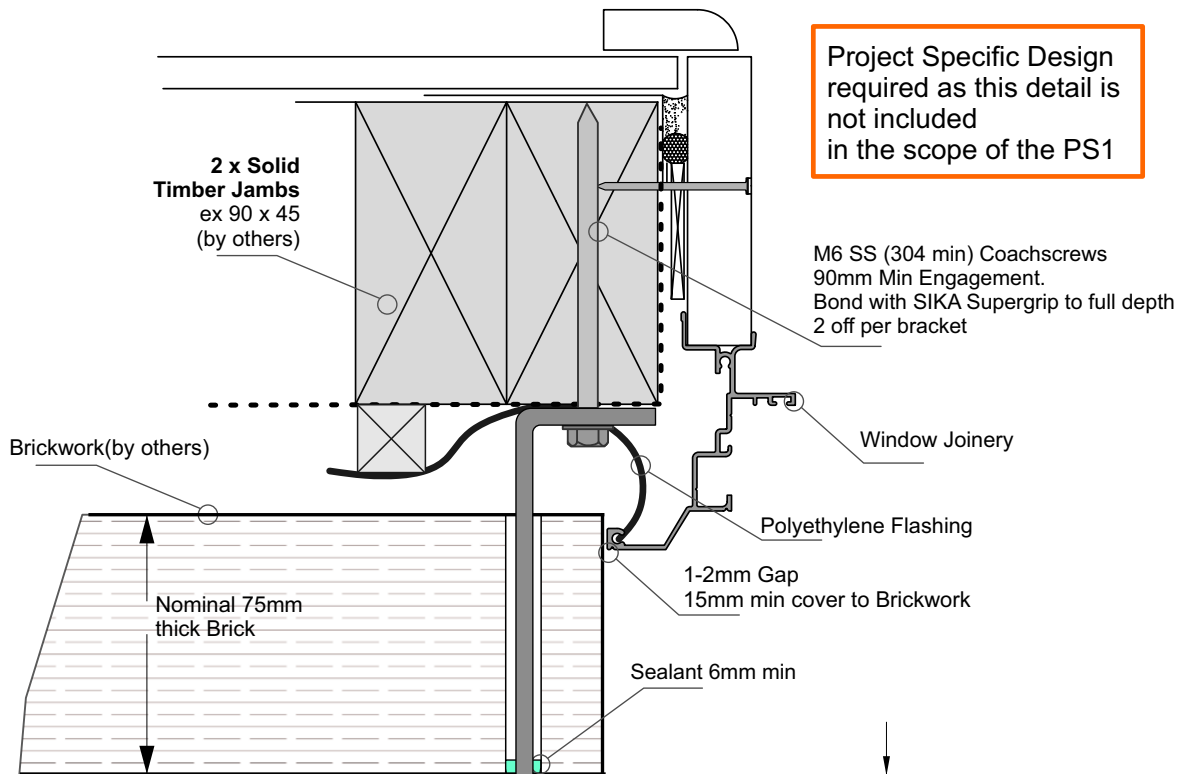


JLW/7003/5  
100mm  
Base Channel  
+ JLW/7006/5  
150mm  
Angled  
Clip-on Cover



**Juralco Louvelite® Window Surround System  
Typical Installation Brick Facade into Timber**

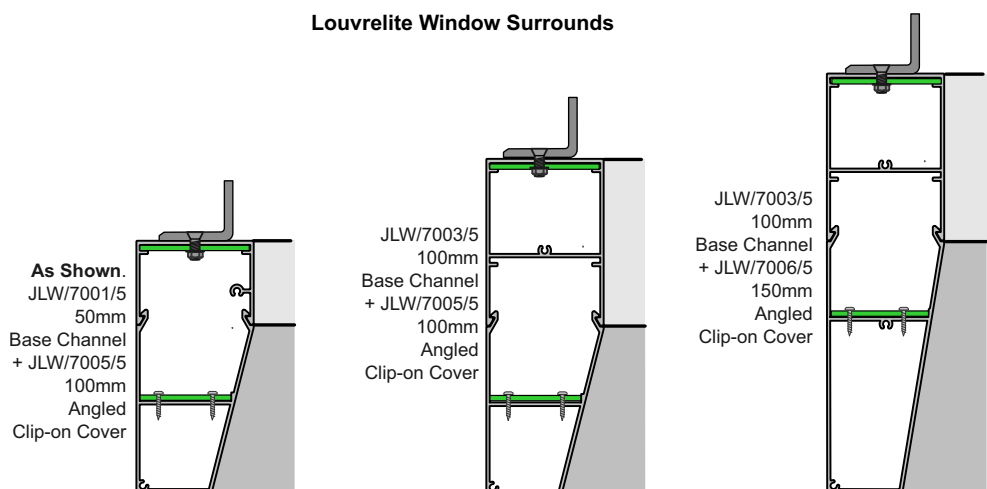
**All Building Construction and Waterproofing by others**



**Installation Options**

- Four corners, all mitred, no End Caps
- Four Corners Butted with 4 x End Caps
- Two corners Butted with 2 x End caps other 2 x corners mitred

**Louvelite Window Surrounds**



# Juralco LouvreLite® Window Surround System - Powder Coating Care and Maintenance

## Powder Coating Installation Care

### Warning re use of solvents:

- In some cases strong solvents are recommended for thinning various types of paints and also for cleaning up mastics and sealants.
- These can be harmful to the extended life of the powder coated surface, and must not be used for cleaning purposes.
- It is important to note that the damage will not be visible immediately and may take up to 12 months to develop.

If paint splashes or sealants and mastics need to be removed then the following may be safely used:  
Methylated Spirits, Ethyl Alcohol, Isopropanol or preferably a mild detergent in warm water.

### Joinery Protection during Installation:

All the activity on a construction site means that your powder coated items may get knocked or scratched, splattered with mortar, plaster, textured coating or paint during the later stages of construction.

Please ensure that all powder coated articles are masked or covered at this time. It is far easier to prevent accidents than to try and correct them. Should your joinery receive mortar or paint splashes see that these are removed before cure and follow the instructions contained in this brochure.

Typical sticker used to warn other trades of the need to protect and mask off powder coated joinery (applies to anodised joinery also)

**"IMPORTANT ALL TRADES"**  
This valuable aluminium joinery will suffer permanent damage from: plaster, mortar and paint splashes - Protect if splashes occur - Immediately wash down joinery with water or meths - Do not allow splashes to harden! ~ Do not use solvents! - Do not remove this label until final clean completed.

This photograph displays damage that has occurred on site, post installation. The photo of the masked joinery displays clear signs of damage that could have occurred were it not masked. Please ensure that your joinery is protected right through the entire construction process.



## Powder Coating Maintenance

### External - Maintenance Program:

To extend the life of external powder coated articles and to comply with warranty requirements for powder coated aluminium joinery, a simple, regular maintenance program must be implemented.

The effects of ultra violet light, atmospheric pollution, dirt, grime and airborne salt deposits will all accumulate over time and must be removed or surface staining and weathering will occur, leading to an unsightly appearance.

For external coatings, cleaning should take place every six months. In areas where pollutants are more prevalent, such as beachfront houses and industrial or geothermal areas, then a cleaning program should be carried out on a more frequent basis ie. every one to three months.

### Cleaning your powder coating:

1. Carefully remove any loose surface deposits with a wet sponge.
2. Use a soft brush (non abrasive) and a mild household detergent (do not use solvents) in warm water, remove dust, salt and other deposits.
3. Rinse off with clean fresh water.



### Restoring weathered or scratched surfaces:

Repair of Scuffed or Scratched surfaces  
Dulux Spray Cans are available in all colour card colours.

Repair of Small Scratches or Chips.  
Dulux Dabsticks are ideally suited for the repair of small scratches.  
Dabsticks may not be available in all colour card colours.

Repair of Weathered areas .  
Dulux Gloss Up is a light to medium cutting cream ideally suited for gloss restoration and has been specifically designed for this purpose.  
Gloss Up contains no waxes or silicone and is a one step system.



Contact Dulux Powder Coatings , ph 0064 9 441 8244

All pages © Copyright Juralco Aluminium Building Products Ltd, 2022