



 JURALCO

JURALCO SOLARZIP™ AWNING SYSTEM

ISSUE 4-24 v1

Juralco Aluminium Building Products Ltd designs and distributes specialist aluminium joinery systems through a national network of franchised fabricators and agents.

For more than 25 years we have been at the forefront of specialist aluminium door and window products suitable for New Zealand joinery and building methods. Our comprehensive product range includes security and insect screens, balustrades and gates, shutters and awnings, shower screens, wardrobe doors and organisers and internal doors.

The Juralco SolarZip™ Awning is a compact, ready-to-install, vertical screen system designed for outside use anywhere protection is needed from sun or rain.

All of the components are made of aluminium alloy, powder coated to your requirements, forming a highly-resistant, lightweight, rust-proof construction.

The awning is designed to adapt to all types of openings up to 4.5m wide.

Installation is straightforward. SolarZip™ awning operation is either manual or by a tubular electric motor, fitted with remote control.

A range of attractive light filtering fabrics are available.

Index

| Pages | Codes | Description |
|---------|--------------|---|
| 3 | Features | Shows various features of the Zip Dropscreen Standard Layouts |
| 4 - 7 | Materials | Shows all Extrusions and Components |
| 8 | Electrical | Shows In line Motors and controls |
| 9 - 10 | Measuring up | Shows important measured dimensions |
| 11 - 13 | Installation | Shows Installation and cutting calculations |
| 14 | Order Form | Shows Zip Drop Screen Order Form |
| 15 | Council | Shows consent exemptions |
| 16 | Powder Coat | Care and maintenance Exterior Powder coated surfaces |

Important information - Powder Coating systems.

Powdercoat Systems The new standard Dulux powder coating system used by Juralco is Duralloy Plus®. Also Duralloy® and Duratec®. Juralco Powder coated prices are for Duralloy Plus® and Duralloy® (same pricing). Duratec® prices on application. The following specs apply to Building Exteriors.

- Dulux Duralloy Plus® powder coating systems are suitable for properties greater than 10m from high tide level. Residential and Light commercial buildings, 3 levels max. Warranty 15 yrs
- Dulux Duratec® powder coating systems are suitable for properties greater than 10m from high tide level. All Residential and Commercial buildings. Warranty 25 yrs.

Attachment to structures A PVC Tape or similar material spacer must be used to separate powder coated aluminium items from all concrete and steel structures. Failure to do so can lead to the chemicals in the structure affecting the powder coating, leading to corrosion.

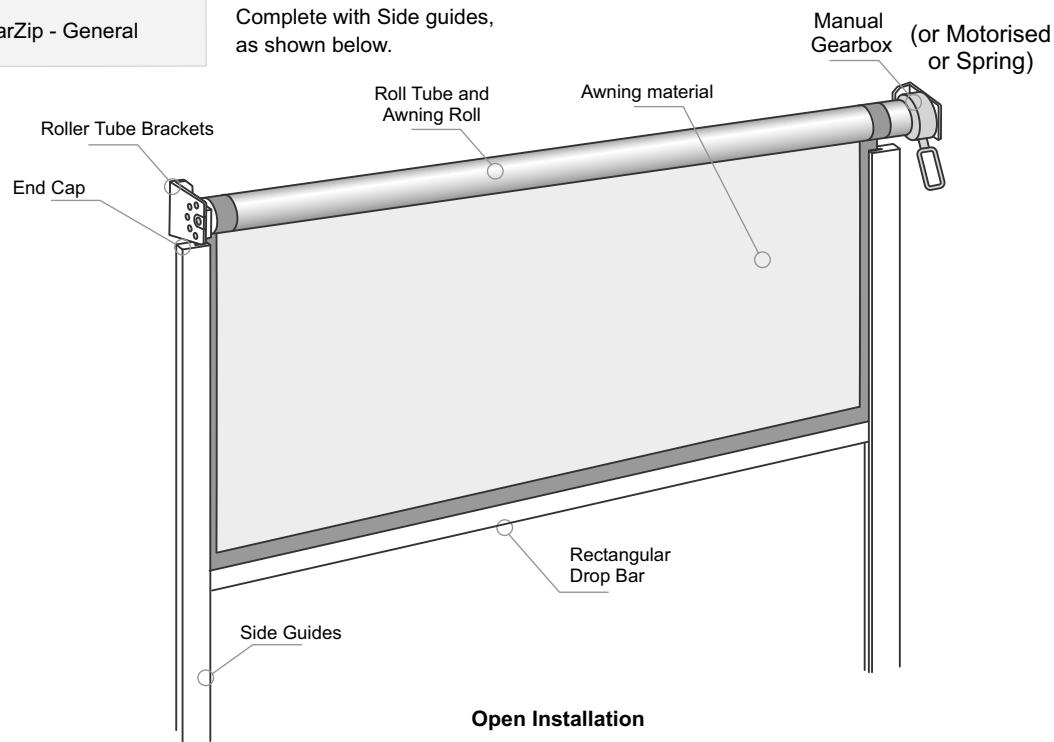
Swimming Pools The chlorinated water in swimming pools can cause the deterioration of powder coated surfaces, leading to corrosion of the underlying surface. It is recommended that Powder coated surfaces be 1200mm min from a pool.

Care The Dulux powder coating warranty period is conditional upon the surface being maintained in accordance with the Dulux 'Care and Maintenance Instructions'. Download from Dulux or refer to the back page of this manual.

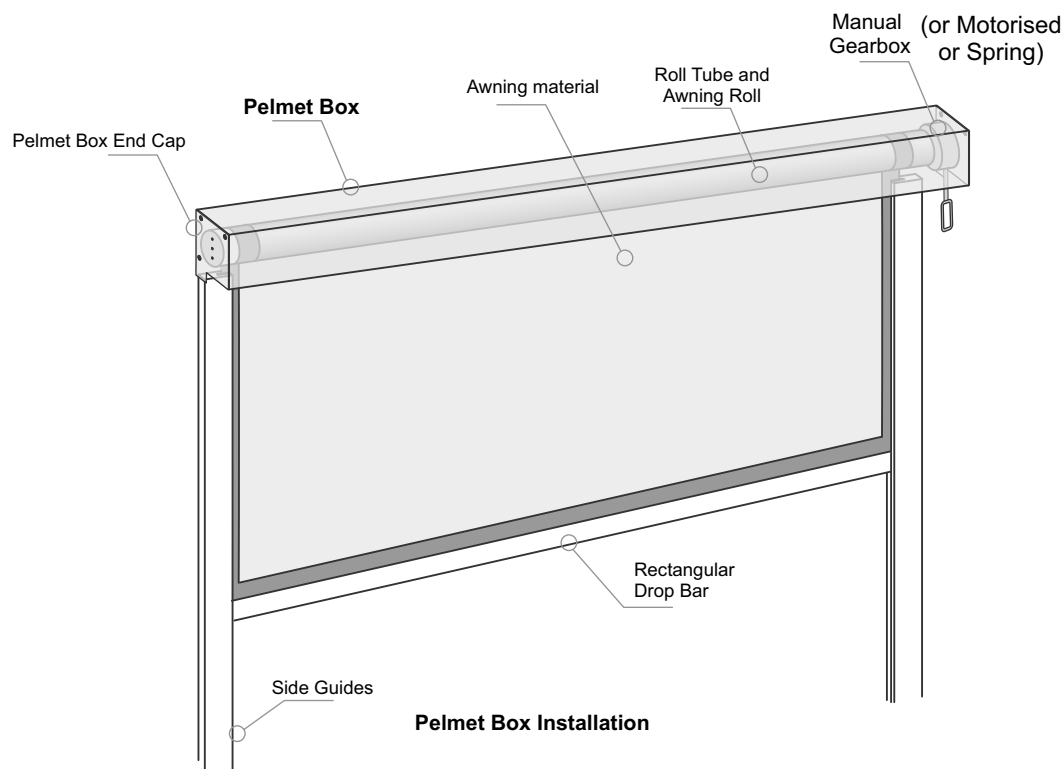
Juralco Solar Zip™ Awning System - General

SolarZip - General

Complete with Side guides,
as shown below.



Open Installation



Pelmet Box Installation

The Juralco SolarZip Awning consists of :

Open type installation with exposed Roller Tube Brackets, or a **Pelmet Box, (enclosed)** made of aluminium extrusions suitable for face or soffit installation. Supports the ends of the Roller Tube.

Operation by means of a R1:7 gearbox/handle, or tubular motor (with or without manual override) or Spring

Roller tube, 2mm wall aluminium extrusion 80mmdia, with a groove to fix the awning fabric. One end equipped with the operating system and the other mounted with a circular shaft.

Side Guides, 60mm x 30mm vertical aluminium extrusions, incorporating a plastic floating inner extrusion.

Drop Bar, a heavy 42mm x 20mm horizontal dropper.

Awning, Solarview, or Aspect Atmosphere awning materials.

Awning fabrics will withstand wind, rain and pollution.

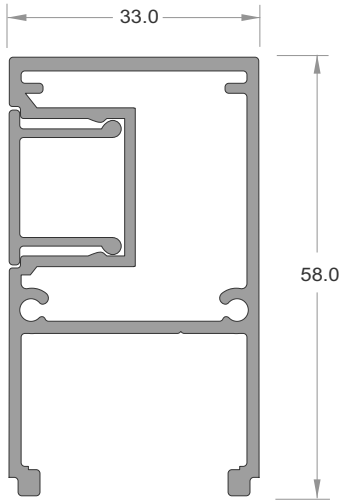
The fabrics are colour durable and resistant to most common chemicals, mildew, and UV degradation; all have a minimum five-year guarantee. Aspect fabrics have a 10yr warranty

Finishes, Cast aluminium parts - powder coated Grey.

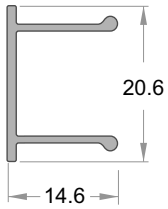
Aluminium extrusions - Anodised or, powder coated to order.

Controls A wireless connected Wind sensor can be installed to guard against the wind.

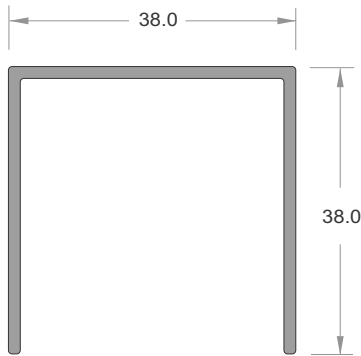
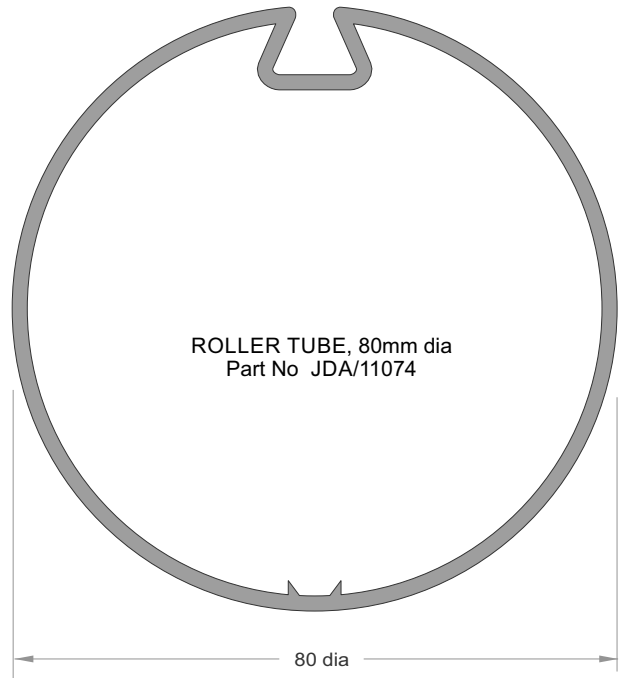
Juralco SolarZip™ Awning System - Extrusions



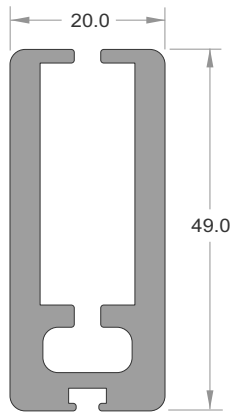
SIDE GUIDE
Part No JZP/CS/14000



STANDARD INFILL CLIP
JEB/206/5.8



SIDE GUIDE WALL CHANNEL
Part No JA 275



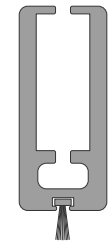
BOTTOM BAR
Part No JZP/CS/16000



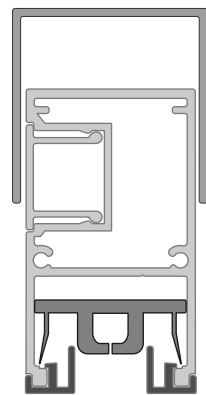
I RAIL (plastic)
Part No JZP/CS/12011/Black



E PROFILE (plastic)
Part No JZP/12021/Black

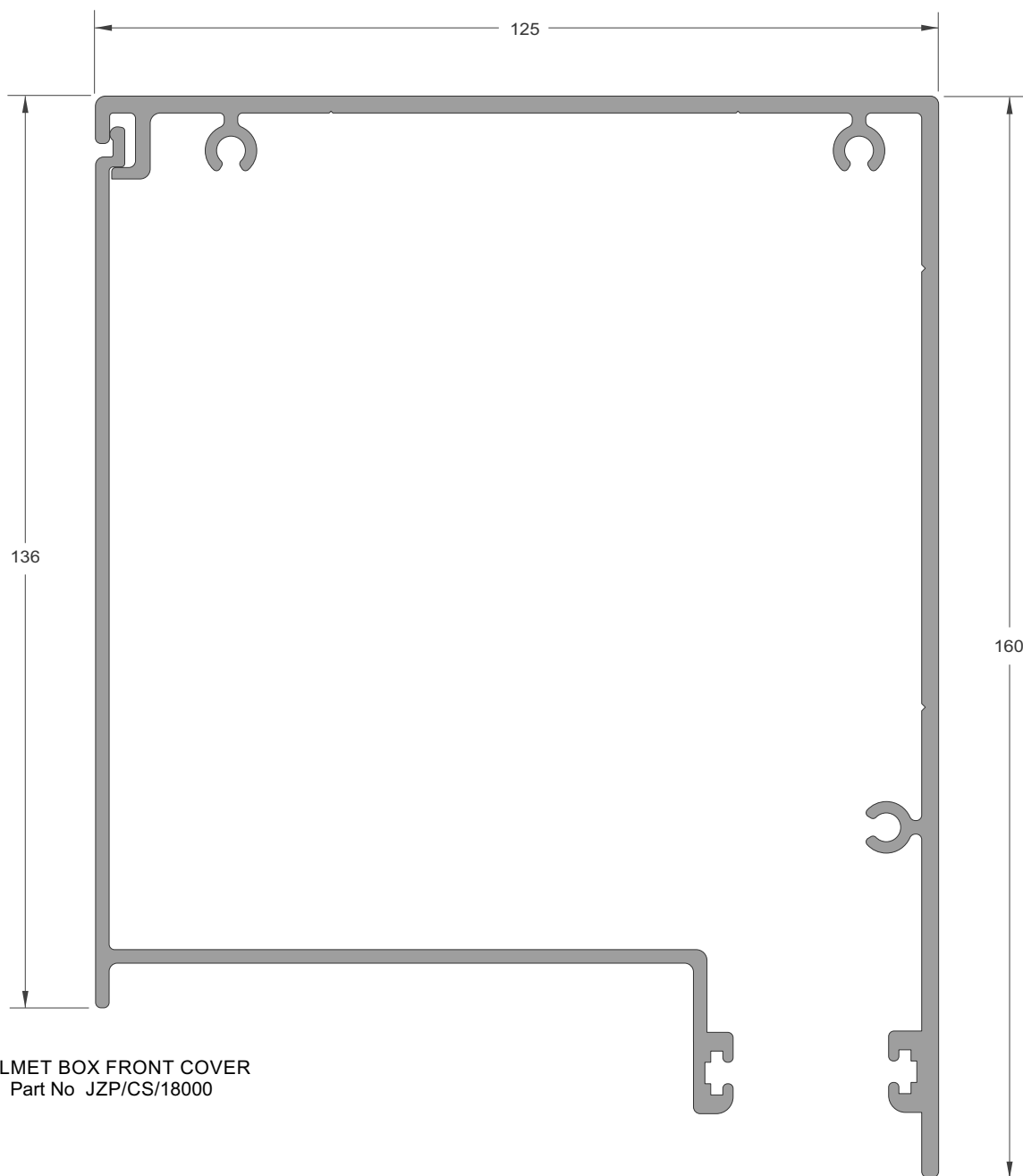


Bottom Bar and Woolpile



Side Guide Wall Channel, Side Guide, E profiles and I Rail

Juralco SolarZip™ Awning System - Extrusions



PELMET BOX FRONT COVER
Part No JZP/CS/18000

PELMET BOX BASE
Part No JZP/CS/17000

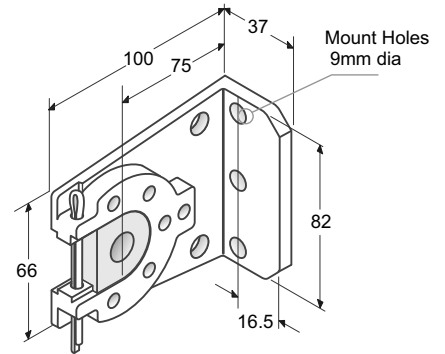
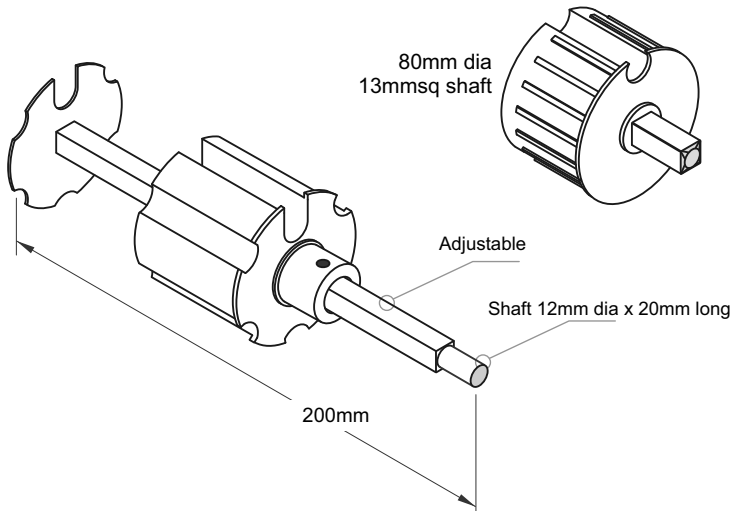
Juralco SolarZip™ Awning System - Components

Roller Tube End Cap
Part No JZP/SM/51036

Roller Tube End Cap
Part No JZP/SM/51047

Roller Tube Mounting Bracket
Part No JBA/4031542

Set = Pair, 1 x RH, and 1 x LH

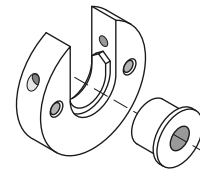
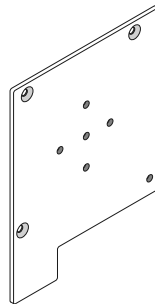
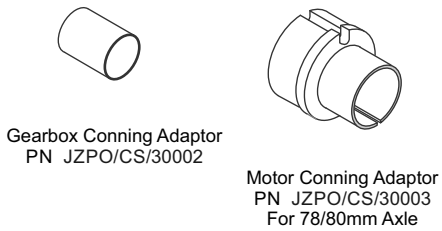


Note - Not for use with Pelmet Box or BASK installations

SolarZip Conning Adapters

Pelmet Box End Caps
RH, LH. 126mm x 160mm

Roller Tube Bracket
PN JZP/SM/73120



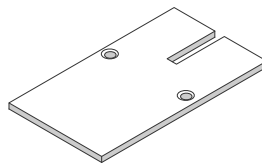
Left Hand Part No JZP/CS/17010
Right Hand Part No JZP/CS/17020

For use in Pelmet Box; includes Plastic Bearing

Bottom Bar
Plastic End Clips

RH and LH as a set.
2 x sets per
Bottom Bar

Side Guide End Caps
Part No JZP/CS/14030



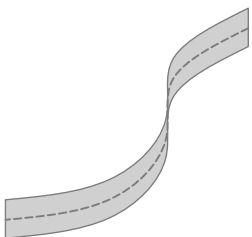
Part No JZP/SM/16501/White
Part No JZP/SM/16503/Black

Black PVC

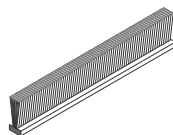
Weldable SolarZip
Part No JZP/CS/20010

SolarZip Fall Bar Mohair
Part No JRF/98/10

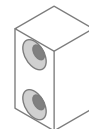
SolarZip Front Cover Bracket
Part No JGF/HSBlock



Lengths 1m, Grey



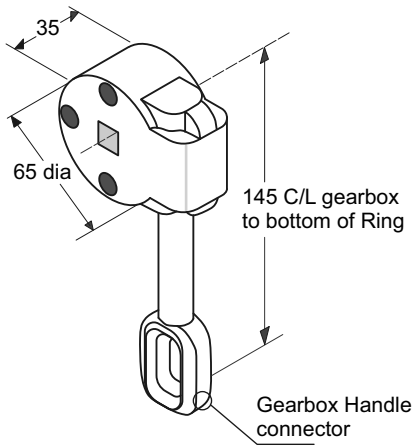
Lengths 1m, Black



17mm x 17mm x 30mm high

Juralco SolarZip™ Awning System - Components

Manual Gearbox 1:9
JDA/4032424

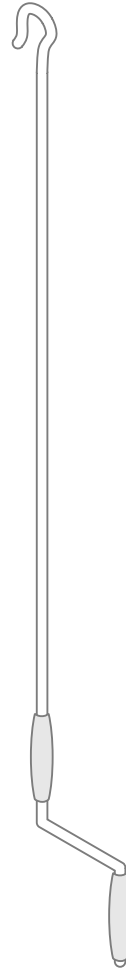


Gearbox Handle

Gearbox Handle
Clip, Pt No
JDA 4026500

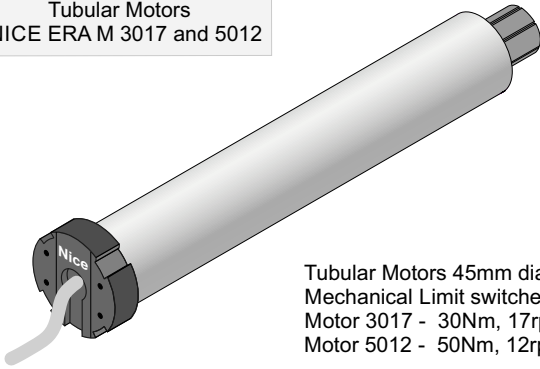


JDA/4030431 - 1200mm
JDA/4030593 - 1600mm
JDA/4030595 - 2000mm



Juralco SolarZip™ Awning System - In Line Motors and Controls

Tubular Motors
JNICE ERA M 3017 and 5012



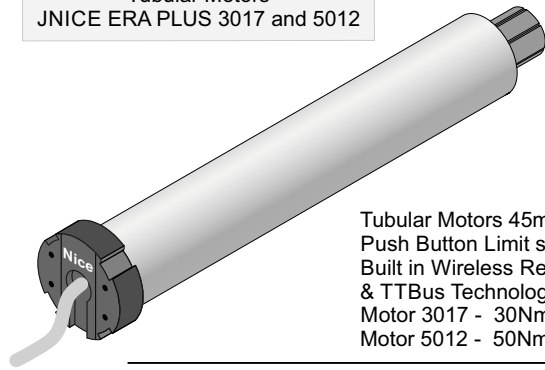
Tubular Motors 45mm dia
Mechanical Limit switches
Motor 3017 - 30Nm, 17rpm
Motor 5012 - 50Nm, 12rpm

POWER CABLE

Length 2.5 m, 4 wires in cable



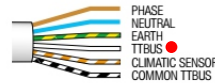
Tubular Motors
JNICE ERA PLUS 3017 and 5012



Tubular Motors 45mm dia
Push Button Limit switches
Built in Wireless Receiver
& TTBUS Technology
Motor 3017 - 30Nm, 17rpm
Motor 5012 - 50Nm, 12rpm

POWER CABLE

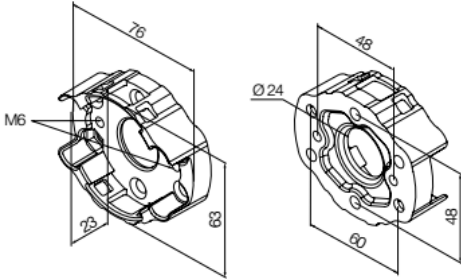
Cable length 2.5 m, 6 wires in cable



These wires must be isolated if not being used

Motor Mount Brackets
NICE 535.10092

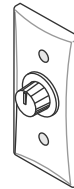
For 45mm dia Motors
Compact aluminium support. 2 x holes M6 at 48 and 60mm CL



Manual Controls
Switch Controls

Wall Controls

3 position Rotary Wall Switch
Up - Off - Close
Cover Plate - SSW 770 CPSM
Switch - SSW 770 RSB



Wireless

Remote Controls

Wireless Receiver

JNICE/BIDIAWNING. Nice controller for Wireless operation. Can be added to Switch operation and Manual override Motors to make for wireless control



Drive Wheel and Crown
JNICE/45ROUND78



Wireless

Remote Controls

Portable Wireless Transmitters



P1 P6 P18

- P1 Portable transmitter to control 1 electrical load system or automation group
- P6 Portable transmitter to control 6 electrical load systems or automation groups for activation in single or multigroup mode
- P18 Portable transmitter to control 18 electrical load systems or automation groups for activation in single or multigroup mode

Motor Remote Control Sensors

Wind Sensor threshold has 3 wind speed settings
15, 30, 45 Kph



JNICE/WIND/S
Volo Wind Sensor

NEMO VIBE does not require any additional connections because it is battery powered. It screw attaches to the front of the awning. During windy conditions, a signal (adjustable) is sent via radio to the motor mounted in the awning, which then retracts the awning.



JNICE/NEMOVIBE
Vibration Sensor

Juralco SolarZip™ Awning System - Fabric, Measuring

Fabric Ranges

Solarview Sunscreen

Solarview is 30% polyester/70% PVC fabric manufactured and designed for controlling heat and light in our harsh NZ climate.

The sturdy 2 x 2 weave ensures the fabric is a pleasure for manufacturers to work with, and a clean cut can be guaranteed with any method of manufacture. Rolls 30m long, all colours 3000mm wide; a selected range 2500mm wide.

Solarview is a light filtering fabric, flame retardant, mould and mildew protected.

To clean, wipe with warm soapy water and damp cloth. Suitable for both internal and external applications and is easily weldable.

Aspect Atmosphere Sunscreen

Aspect is 30% polyester, 70% PVC fabric manufactured and designed for controlling heat and light in our harsh NZ climate.

18 Colours available in two widths. Rolls 30m long, all colours 3000mm wide; a selected range 2500mm wide.

Aspect sunscreen is a light filtering fabric, flame retardant, mould and mildew protected.

To clean, wipe with warm soapy water and damp cloth. Suitable for both internal and external applications. 10 yr warranty

Measuring - No Pelmet Box

On site Check List:

- 1 - Check the desired width and installation area, making sure there are no obstructions.
- 2 - Check that the Mounting brackets have secure fixing points
- 3 - Line up the outside of the Side guide with the outside of the Roller Bracket
- 4 - Check side guides mounting.
- 5 - Check the desired awning material.
- 6 - Check end for gearbox or motor operation



All these Horizontal Measurements, NOT using Side Wall Channel.

- 1 - Axle = Overall Width -160mm
- 2 - Bottom Bar = Overall Width -135mm
- 3 - Mohair for Bottom Bar = Overall Width -100mm

- 4 - Vertical Side Guides, I Rail, E Profile, Side Wall Channels (if used)

Reveal Fix = Overall Drop - 145mm

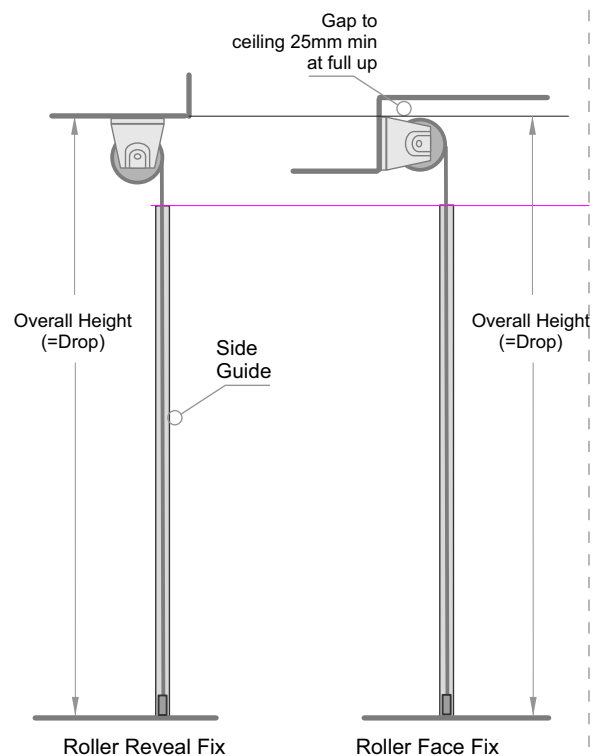
Face Fix = Overall Drop - 120mm

- 5 - Fabric, NOT using Side Wall Channel.

a - Top corners mitre 50mm x 50mm

b - Overall Width -100mm. (To give finished Fabric Width with Zips of O/A Width -85mm)

c - Finished Height = Overall Drop +100mm

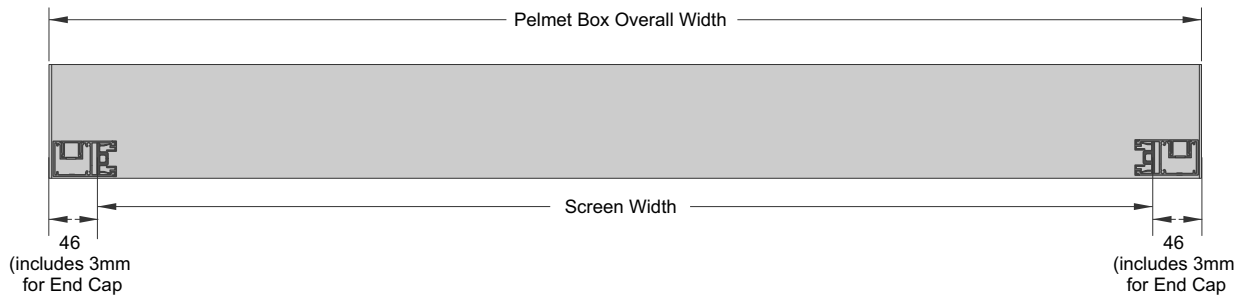
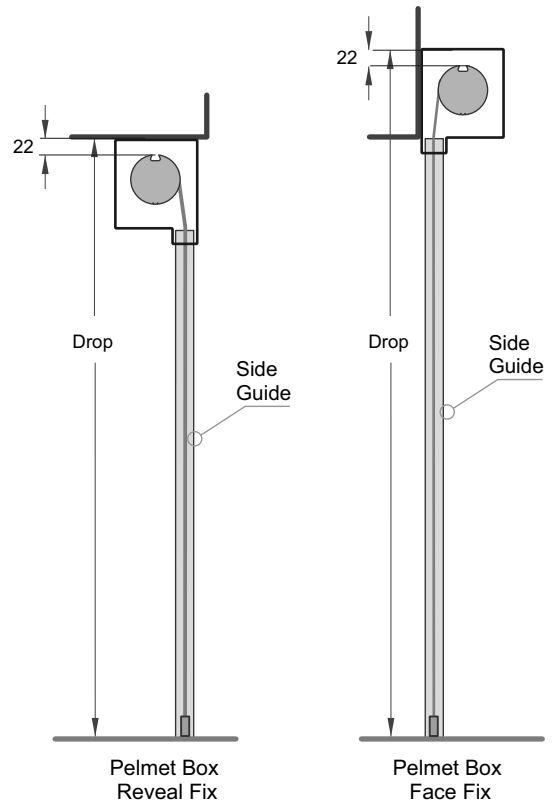


Juralco SolarZip™ Awning System - Measuring

Measuring - With Pelmet Box

On site Check List:

- 1 - Check the desired width and installation area, making sure there are no obstructions.
- 2 - Check that the Pelmet Box Base has secure fixing points
- 3 - The max overall width will be the Pelmet box width
- 4 - Check side guides mounting style; check mounting points
- 5 - Check the desired awning material.
- 6 - Check end for gearbox or motor operation

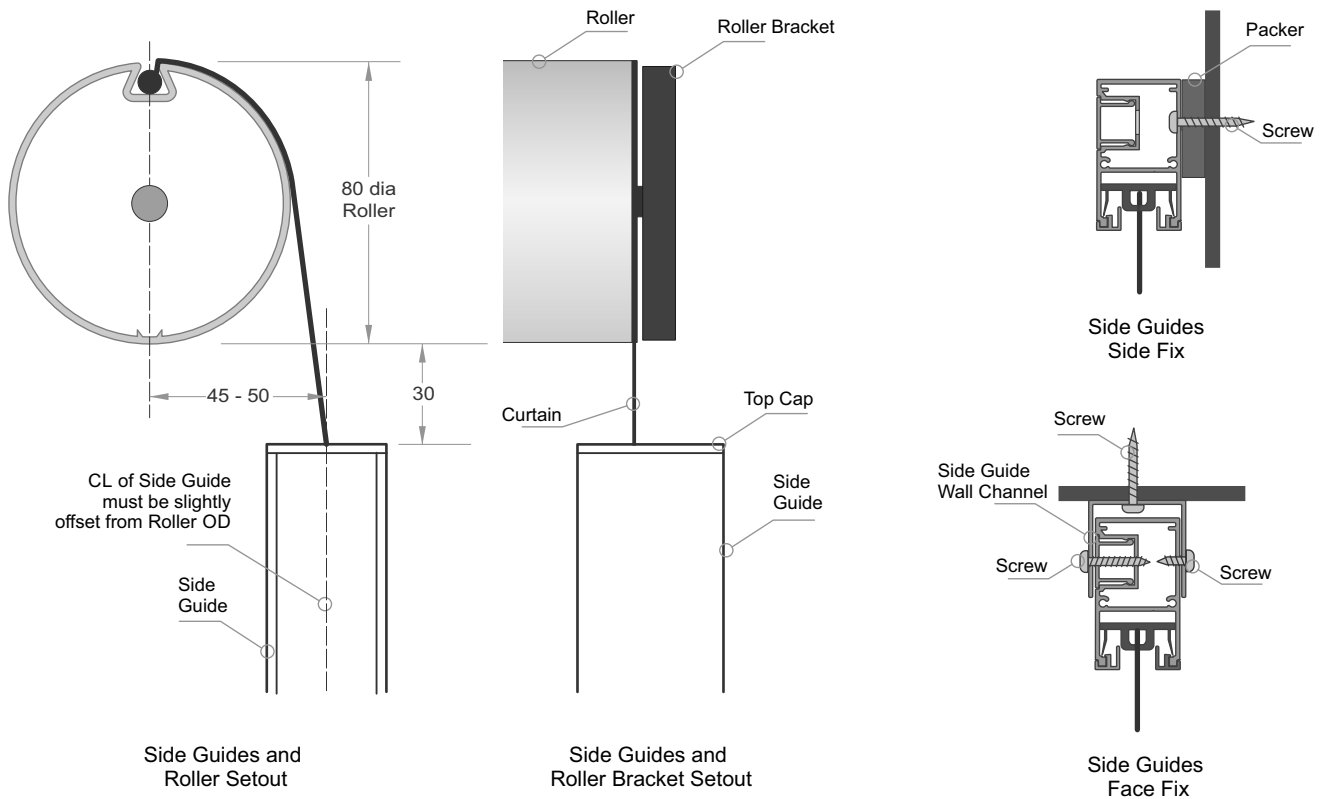


Juralco SolarZip™ Awning System - Installation

Installation
No Pelmet Box

Note: Prior to delivering to site, unpack and check all items

- 1 - Carefully unpack and check for damage.
BE VERY CAREFUL THE AWNING IS NOT ACCIDENTLY CUT during unpacking.
- 2 - Check the awning, making sure it has been made to site measurements.
- 3 - Mark out Roller Tube Mounting Bracket positions on Wall/Soffit. Install.
Note - Brackets must be firmly mounted into the building structure and be level.
- 4 - Insert the Awning/Roller tube 13mm dia square axle into Gearbox/Motor end.
Insert the adjustable 12mm dia axle to the other bracket. Screw in place.
- 5 - Insert and tighten all screws.
- 6 - Attach Top End Caps, then install the Side Guides, off sets as below. They must be parallel.
- 7 - Feed bottom edge of curtain into the Bottom Bar. Insert Plastic end clips each end.
- 8 - Check for smooth operation, Adjust limits.
- 9 - Always clean off all fingermarks, leave the site clean and tidy.

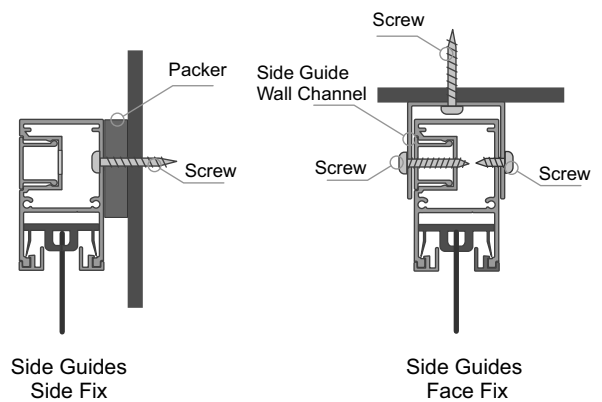
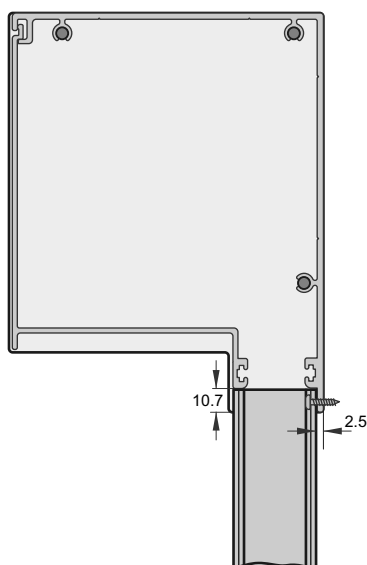
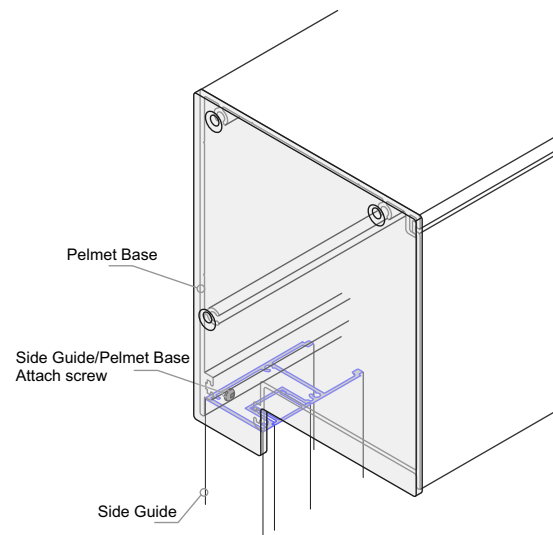
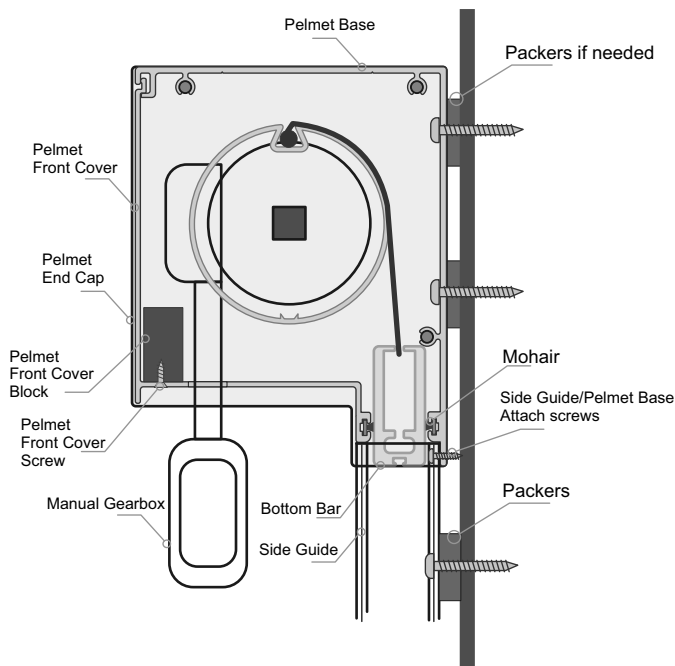


Juralco SolarZip™ Awning System - Installation

Installation With Pelmet Box

Note: Prior to delivering to site, unpack and check all items

- 1 - Carefully unpack and check for damage.
- 2 - Check the Awning, making sure it has been made to site measurements.
- 3 - Remove Pelmet Front Cover. Remove the Roller and attached Screen and Bottom Bar
- 4 - Attach Pelmet Box Base using Packers if needed to square up.
Note - Base must be firmly mounted into the building structure and be level.
- 5 - Reinsert the Awning/Roller tube 13mm dia square axle into Gearbox/Motor end.
Drop the adjustable 12mm dia axle and bearing to the other bracket. Screw in place.
- 6 - Insert and tighten all screws.
- 7 - Install the Side Guides. Screw attach to the Pelmet Base.
Use packers and Screw attach to Wall. All to be square and parallel.
- 8 - Release the Bottom Bar and feed into the side guides.
- 9 - Check for smooth operation, Adjust limits.
- 10 - Clip Pelmet Box Front cover in place, screw attach at bottom.
- 11 - Always clean off all fingermarks, leave the site clean and tidy.



Juralco SolarZip™ Awning System - Cutting Allowances

| Extrusion Cutting Allowances | MANUAL GEAR BOX, No Pelmet | MOTORISED GEARBOX, No Pelmet |
|-------------------------------------|-----------------------------------|-------------------------------------|
| | Axle = OA Width - 160mm | Axle = OA Width - 145mm |
| | Bottom Rail = OA Width - 140mm | Bottom Rail = OA Width - 140mm |
| | Guides = OA Height - 120mm | Guides = OA Height - 120mm |
| | Wall Channel = OA Height - 120mm | Wall Channel = OA Height - 120mm |

| Extrusion Cutting Allowances | MANUAL GEAR BOX, with Pelmet Box | MOTORISED GEARBOX with Pelmet Box |
|-------------------------------------|---|--|
| | Axle = OA Width - 167mm | Axle = OA Width - 145mm |
| | Bottom Rail = OA Width - 140mm | Bottom Rail = OA Width - 140mm |
| | Guides = OA Height - 150mm | Guides = OA Height - 150mm |
| | Wall Channel = OA Height - 160mm | Wall Channel = OA Height - 160mm |
| | Pelmet Box = OW Width - 7mm | Pelmet Box = OA Width - 7mm |
| | Cover Box = OA Width - 7mm | Cover Box = OA Width - 7mm |

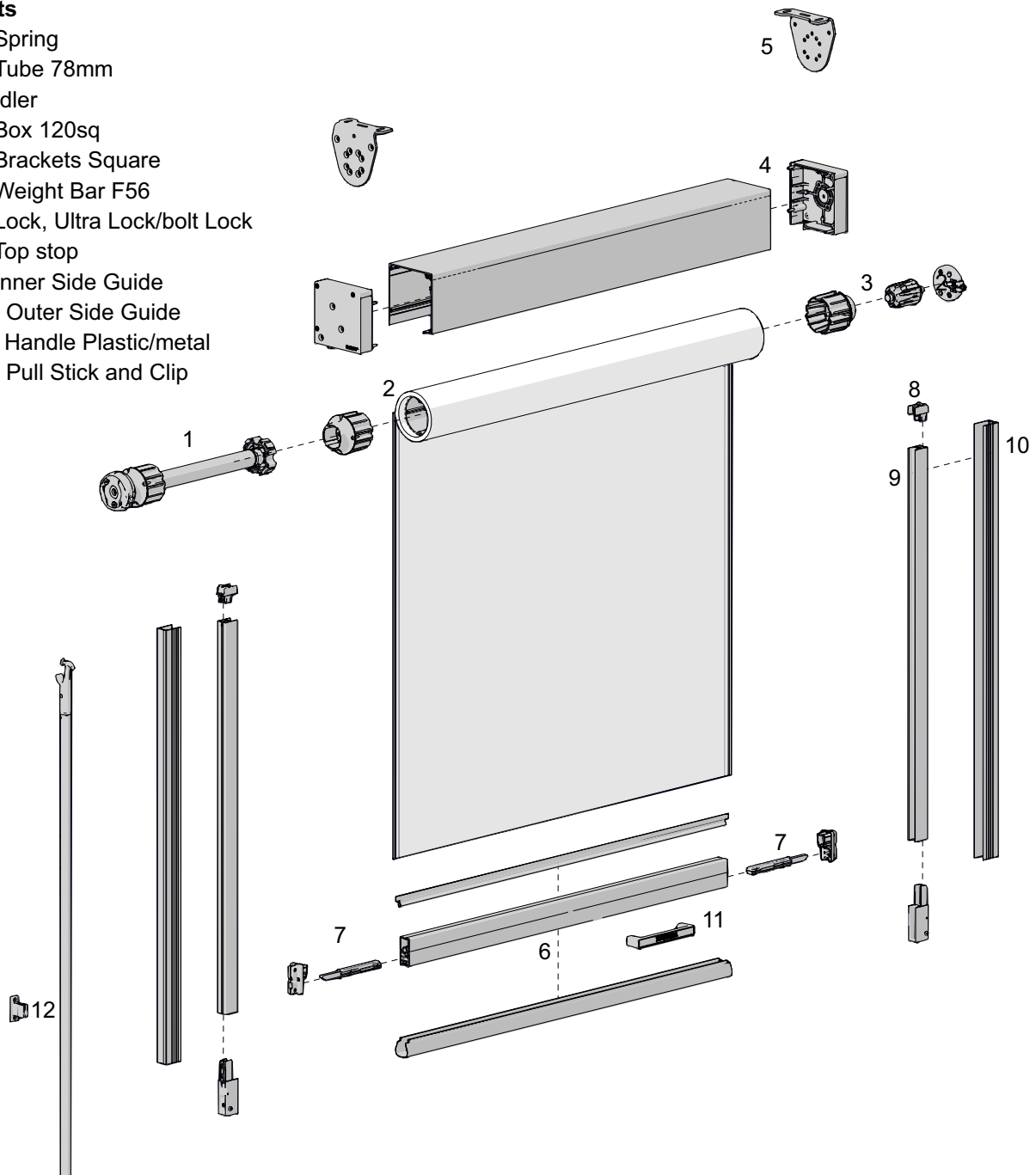
| Canvas Cutting Allowances | FOR ALL TYPES |
|----------------------------------|----------------------------|
| | Width = OA Width - 100mm |
| | Height = OA Height + 100mm |

Juralco SolarZip™ Awning System - Spring Operation

Note: The Spring Operation Solarzip is a completely different system from the Previous Gearbox and Motor Types. There is no crossover of components

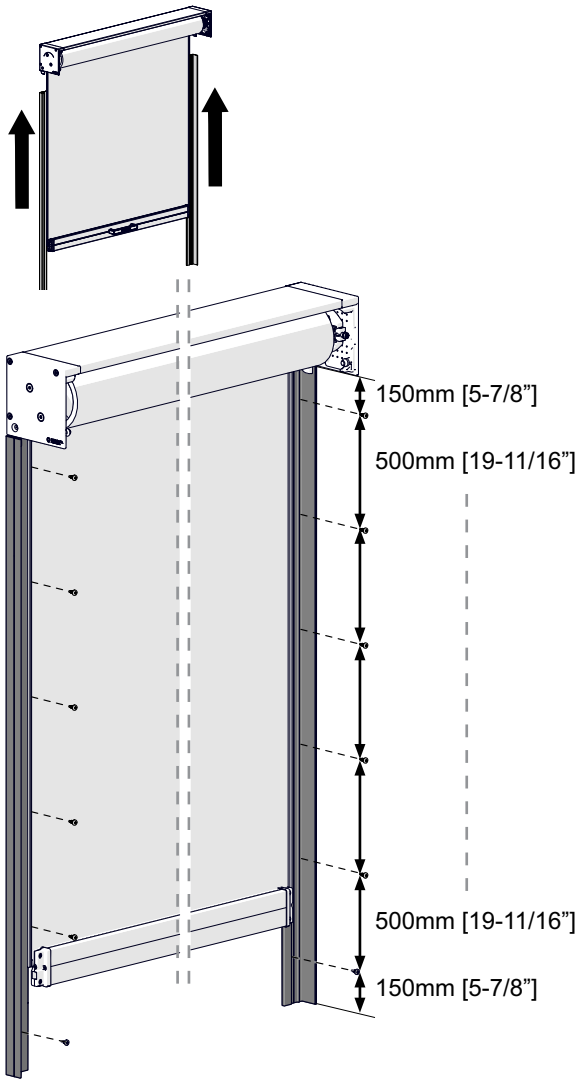
Parts

- 1- Spring
- 2 - Tube 78mm
- 3 - Idler
- 4 - Box 120sq
- 5 - Brackets Square
- 6 - Weight Bar F56
- 7 - Lock, Ultra Lock/bolt Lock
- 8 - Top stop
- 9 - Inner Side Guide
- 10 - Outer Side Guide
- 11 - Handle Plastic/metal
- 12 - Pull Stick and Clip



SIDE GUIDE INSTALLATION | (FACE FIX ONLY)

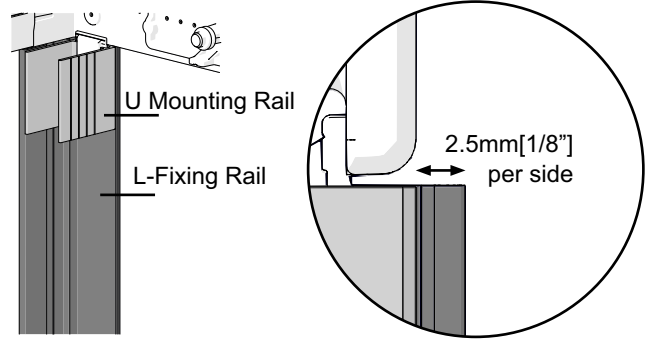
1 Mount Rail to wall on both sides



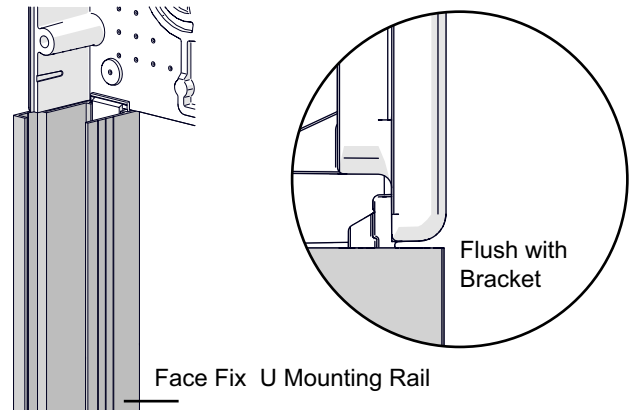
NOTE

L FIXING RAIL

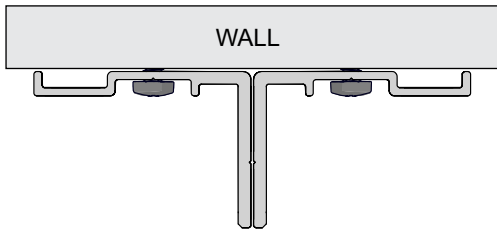
Use an off cut of the U mounting rail to install the L-fixing rail at the correct distance from the end plate.



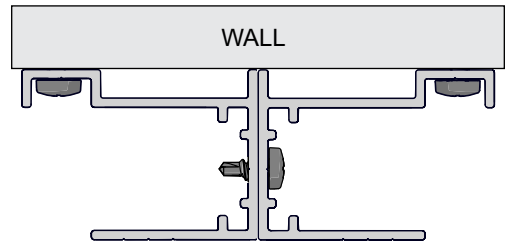
FACE FIX U MOUNTING RAIL



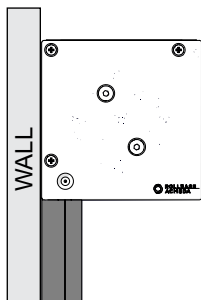
L FIXING RAIL



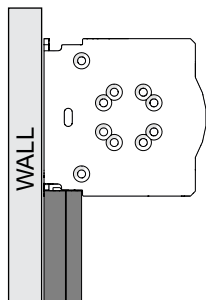
FACE FIX U MOUNTING RAIL



BOX 120

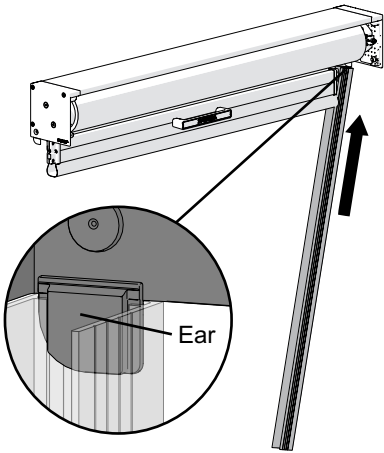


OPEN BRACKET

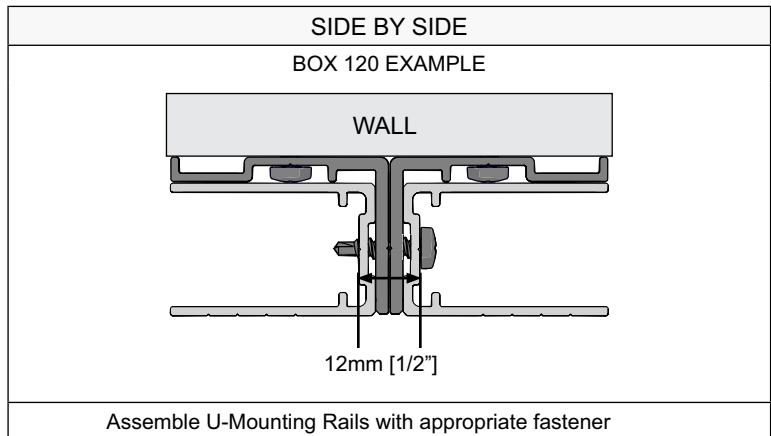
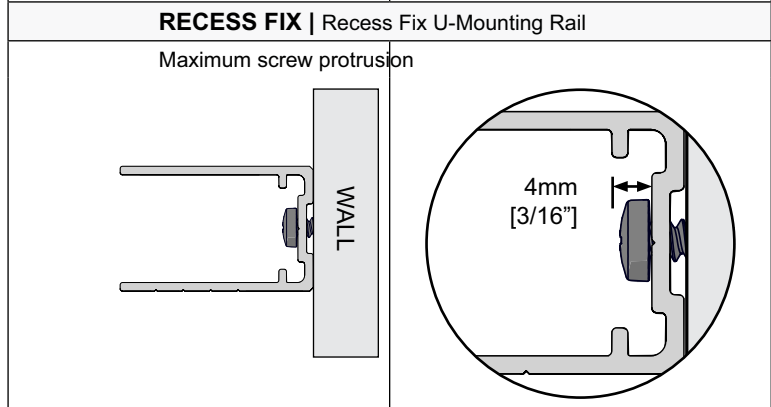
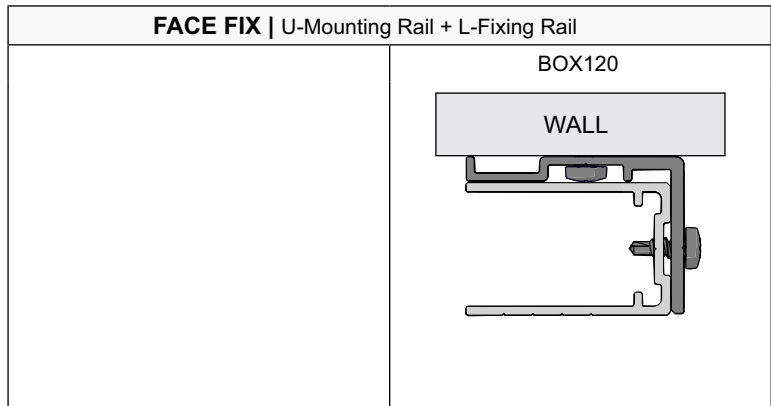
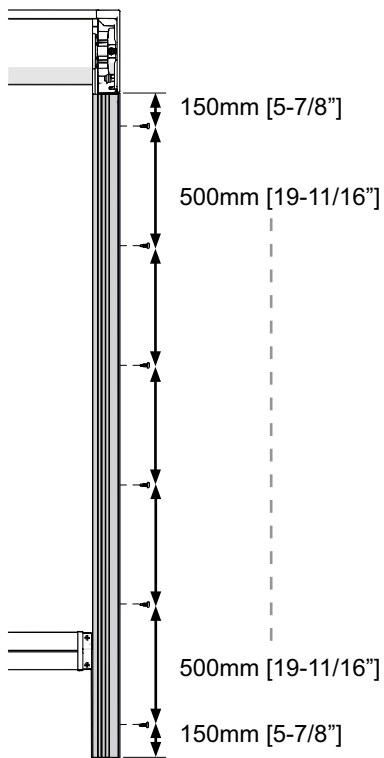


SIDE GUIDE INSTALLATION | U-MOUNTING RAIL

1 Insert and secure U-Mounting rail

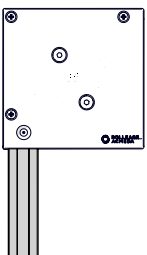


Locate ear of end plate with U-mounting rail

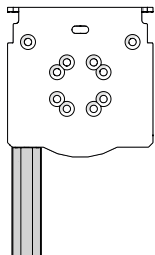


U-MOUNTING RAIL

BOX 120

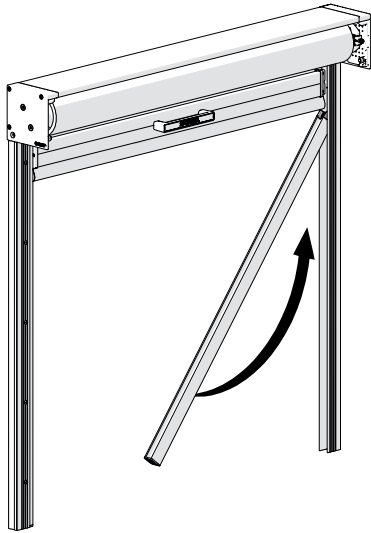


OPEN BRACKET

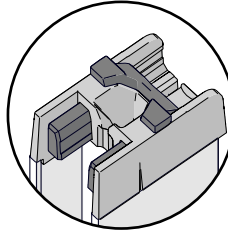


SIDE GUIDE INSTALLATION | INNER RAIL

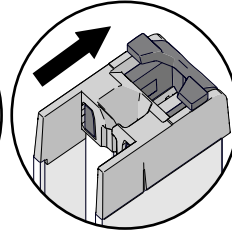
- 1** Insert the Inner Rail into the U-Mounting Rail



NOTE

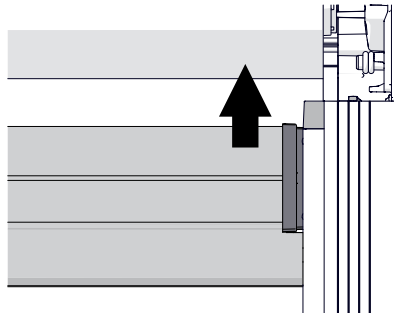


Locked

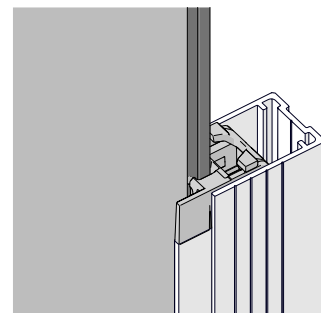


Unlocked

Ensure Top Stop is in Unlocked position

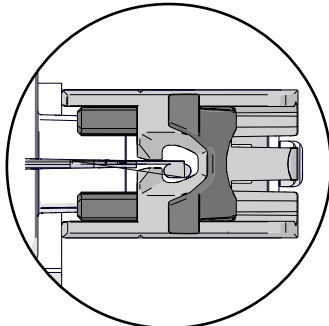
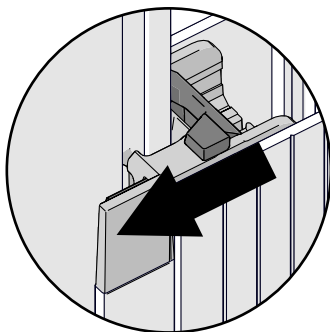


Lift weight bar up as much as possible as the Inner Rail is angled in to collect the zip.

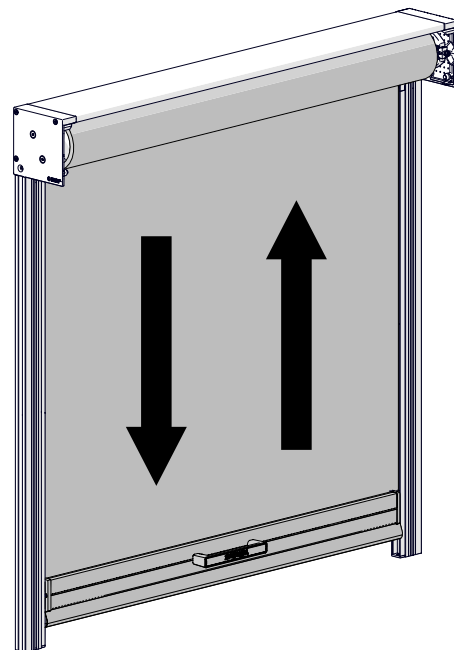


Feed zip into inner Rail Funnel while aligning with U-Mounting Rail.

- 2** Push the inner rail stops to lock in position

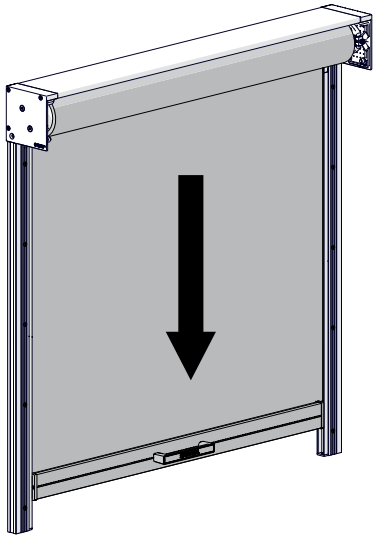


- 3** Run shade up and down multiple times to allow inner rail to move into natural position



TEST OPERATION

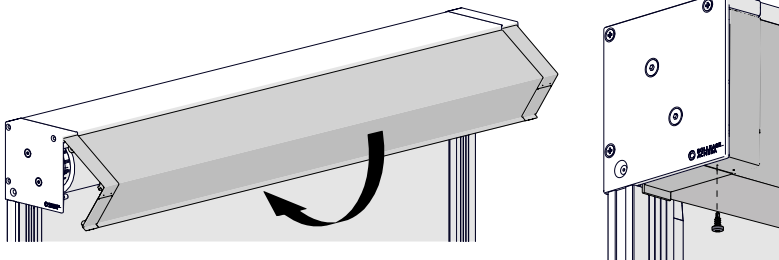
- 5 Test operation and appearance of shade



| ! SPRING CONTROL CHECK | | |
|---|--|---|
| Balanced | Not Balanced | Pull weight bar down slightly to check if shade is balanced. The weight bar should stay at the same position upon release. Refer to Spring Tension Adjustment for tuning. |
| <p style="text-align: center;">Pull ↓ stays ✓</p> | <p style="text-align: center;">Pull ↓ sags ✗</p> | |

INSTALL FRONT COVER

- 1 Swing box cover into box top and clip into place



| ! NOTE |
|---|
| <ul style="list-style-type: none"> Always secure the front cover with a screw at each end. There is a dimple on the End Plate Cover to ensure correct position. Do not force cover closed, ensure End Plates are engaging correctly |

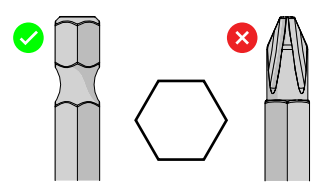
SPRING TENSION ADJUSTMENT

⚠ WARNING

Do not unlock the tensioner head before applying tension. The weight bar will fall to the ground.

Do not operate drill in reverse if pin has not been activated.
(see step 2)

⚠ NOTE



Use a drill with a 1/4" Hex Bit.

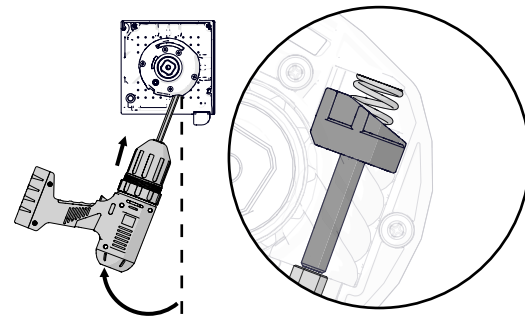
⚠ NOTE

Ensure drill bit inserts on correct angle - it will engage smoothly when correct.

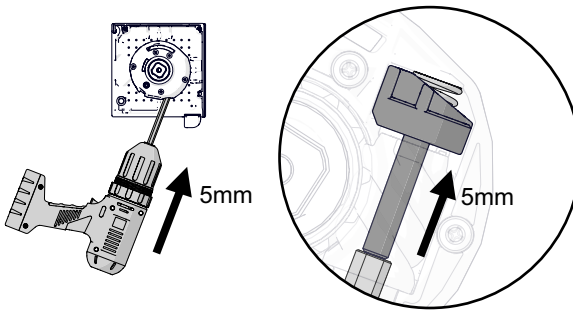
Ensure the drill bit is 'pushing' up the internal lock before rotating.

Lock the tensioner head before attempting to remove the blind.

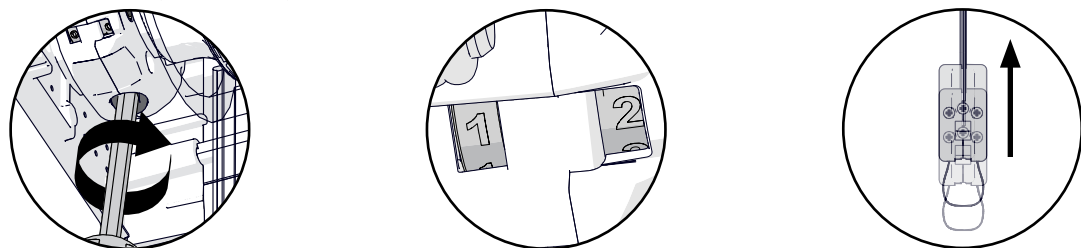
1 INSERT DRILL with a 1/4" Hex bit - it will engage smoothly on correct angle.



2 ACTIVATE PIN Push against the spring loaded pin prior to adding or removing tension.



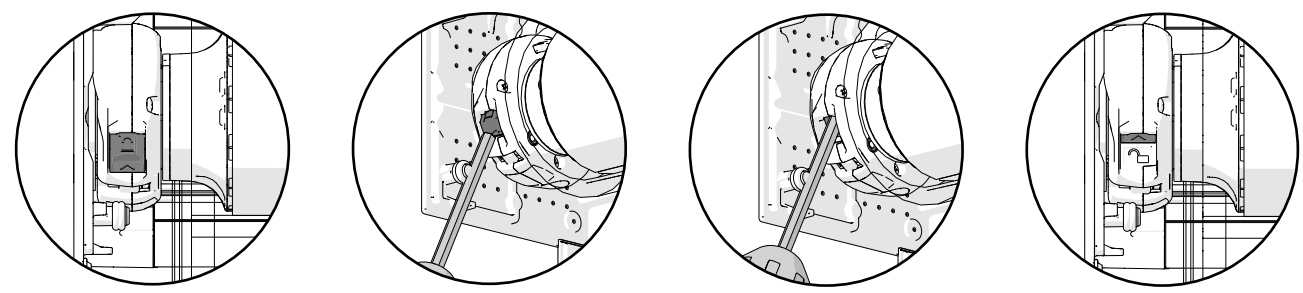
3 ADD OR REMOVE SPRING TENSION Engage drill clockwise to apply tension. Anticlockwise will remove tension. The weight bar will move up slightly when enough pre-turns have been applied. Tension can be adjusted at any time, even while unlocked.



⚠ WARNING Recommend to use the drill's slip clutch mechanism to prevent accidental damage. If you hear clicking in clockwise, the drill has not been pushed in correctly.

4 UNLOCK SPRING TO OPERATE SHADE Push grey lock to the unlocked position. The lock button will remain fully retracted.

⚠ WARNING LOCK SPRING TO REMOVE SHADE Push grey lock again, tube may require 1/4 turn to re-engage locked position.

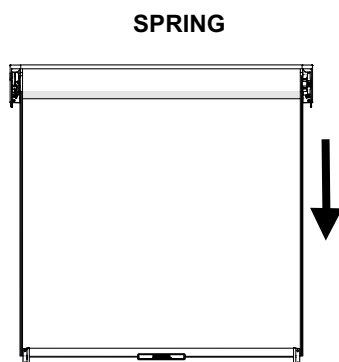


Locked

Unlocked

SHADE OPERATION

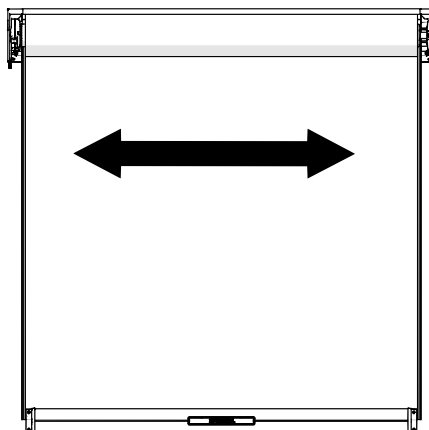
- 2 Run shade down



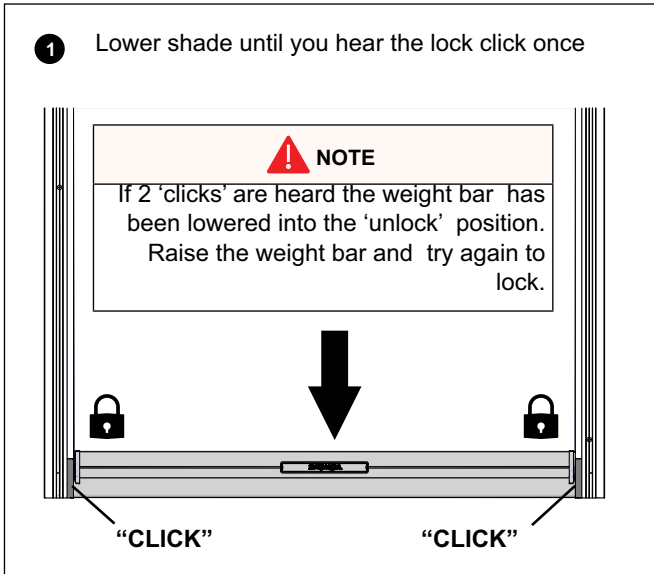
 **NOTE**

Blind should creep up slowly when pulled down. Refer to the spring tension adjustment section.

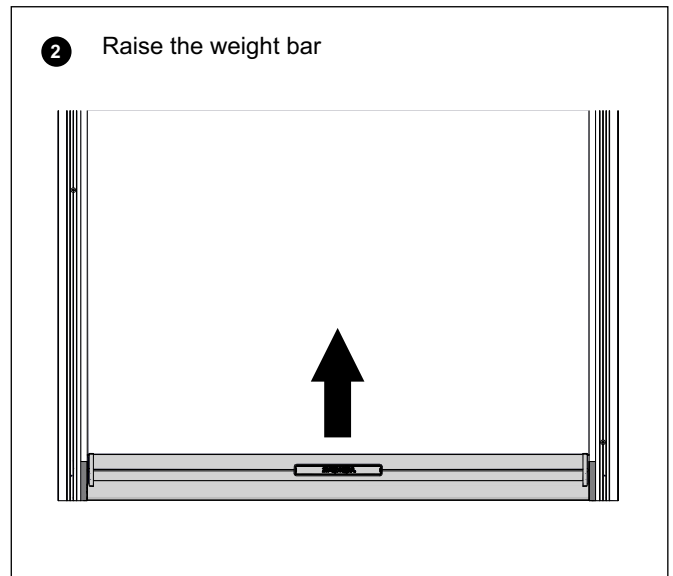
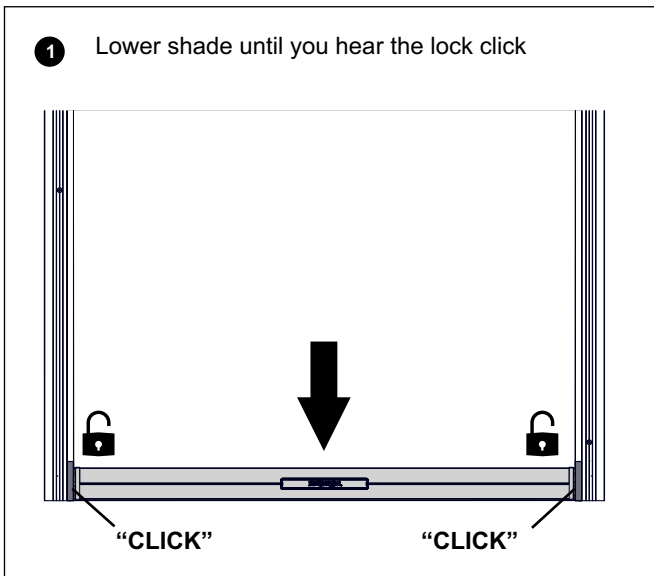
- 3 Ensure fabric is centered to the brackets



ULTRA LOCK OPERATION | LOCK

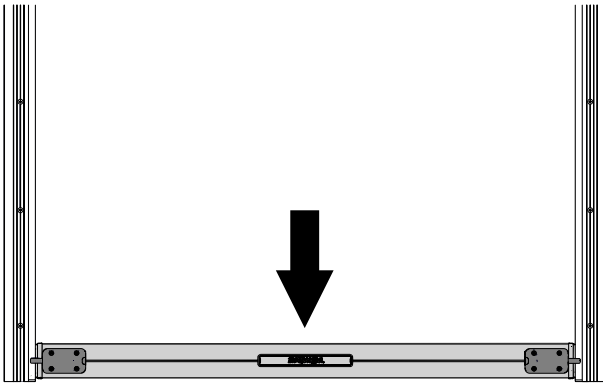


ULTRA LOCK OPERATION | UNLOCK

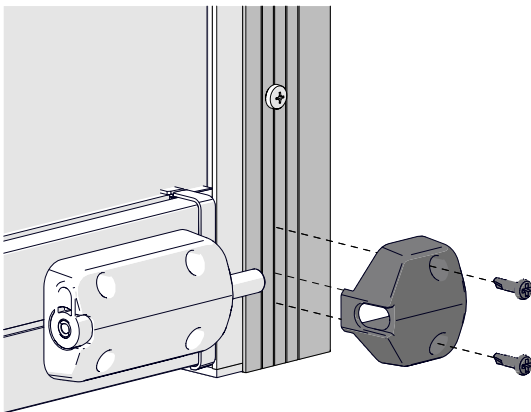


BOLT LOCK INSTALLATION

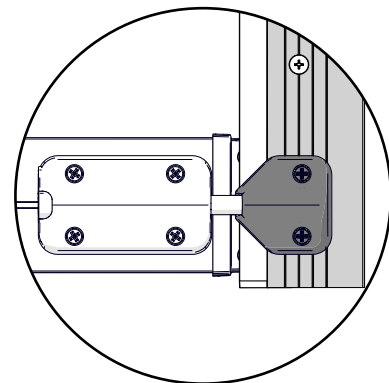
- 1 Lower weight bar and secure the latch to weight bar



- 2 Align weight bar with bottom limit and secure latch to U-Mounting Rail on both sides



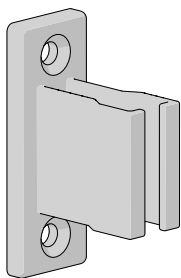
NOTE



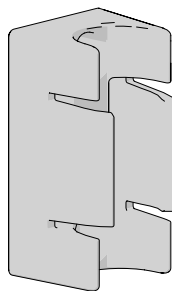
Align lip of latch to Inner Rail

WALL MOUNTING CLIPS

Secure to an appropriate location to store the Crank Handle or the Pull Stick.



Crank Handle Clip



Pull Stick Wall Clip

MAX SPRING TURNS REFERENCE

A spring has a maximum number of turns to ensure longevity.

The 'total turns' of a spring is the sum of the # of tube turns & the # of pre-turns applied. for a COMPACT spring on a 2.4m drop blind, do not apply more than 16 pre-turns.

| SPRING MAX PRE-TURNS @ DROP | | | | |
|-----------------------------|------|--------------|-------------|------------|
| DROP | | # TUBE TURNS | SPRING | |
| [m] | [in] | | STD COM LGT | HD XHD UHD |
| 0.6 | 24 | 2 | 23 | 31 |
| 0.8 | 31 | 3 | 22 | 30 |
| 1.0 | 39 | 4 | 21 | 29 |
| 1.2 | 47 | 4 | 21 | 29 |
| 1.4 | 55 | 5 | 20 | 28 |
| 1.6 | 63 | 6 | 19 | 27 |
| 1.8 | 71 | 7 | 18 | 26 |
| 2.0 | 79 | 7 | 18 | 26 |
| 2.2 | 87 | 8 | 17 | 25 |
| 2.4 | 94 | 9 | 16 | 24 |
| 2.6 | 102 | 9 | 16 | 24 |
| 2.8 | 110 | 10 | 15 | 23 |
| 3.0 | 118 | 11 | 14 | 22 |
| 3.2 | 126 | 11 | 14 | 22 |
| 3.4 | 134 | 12 | 13 | 21 |
| 3.6 | 142 | 12 | 13 | 21 |
| 3.8 | 150 | 13 | 12 | 20 |
| 4.0 | 157 | 14 | 11 | 19 |

MOUNTING ORIENTATION

Use appropriate fasteners to install box/open brackets. Fasteners below are indicative only.



Ensure brackets are level.
 Recommend pre-drilling holes in cassette brackets prior to installation.
 Pre-drill Ø22mm access hole for motor cable.

| | FACE | CEILING | RECESS |
|---------------|------|---------|--------|
| Box 120 | | | |
| Open Brackets | | | |

SOLARZIP AWNING

Order Form

#

Customer

Contact

Order No

Date

WO Juralco

SO Juralco

\$ Juralco

Enter Dimensions Enter details/selections into all boxes. Then scan and send to sales@juralco.co.nz

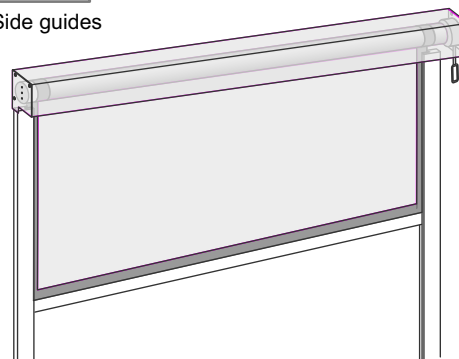
1 Enter Overall Measurements

Overall Drop Overall width

From Top of Headbox if used, or Top of Roll to Floor level. Overall Width, to outside of Side guides

Drop 1000 min - 3000 max, Width 1000 min - 4500 max

SolarZip Awning



2 Select Mount Type

Open Type Pelmet Box SunPivot or SunFold

3 **If for SP/SF, must be Motorised**

Select Operation type

Motor Gearbox Spring

4 Select Spring, Motor or Gearbox End, viewed from Front

LH RH

5 If Gearbox Select Handle Length

NA 1200mm 1600mm 2000mm Wall Clip

6 Select Powder Coat Type

Duralloy Duratec

Specify PC Colour and Code

7 Select Fabric Type and Colour

Planasol Dickson Solarview Clear PVC (Spring only)

Specify Fabric Colour and Code

Note - Canvas will have a join if over 3000mm wide or high

8 Motor Controls, if Motor

Switch Remote

9 Volo Wind sensor, if required

Yes No

10 Additional Motor Remote Control? Portable controller. Tick to select

P1 P6 P18

11 Notes:

Juralco SolarZip™ Awning System

These two pages are an extract from the Department of Building and Housing

- Building Work that does not require a Building consent - pages 21 to 24. Online at www.dbh.govt.nz/bc-no-consent
- These are new exemptions dated Dec 2010

While every effort has been made to ensure that this information is correct at time of writing, it is provided for guidance only and Juralco will accept no liability for, nor warrants the accuracy of this guidance. It is the sole responsibility of the of the purchaser to confirm current status of consent requirements with the relevant territorial authority before purchase and installation.

Awnings

Awnings.

Exemption (ja) of Schedule 1

A building consent is not required for the following building work:

- (ja) the construction, alteration, or removal of any fabric, glass, or metal awning on any building that-
 - (i) is on the ground or first storey level; and
 - (ii) does not exceed 20 sqmt in size.

Guidance:

Awnings are usually coverings that are fabric, glass or metal. They are normally attached to the exterior of a building and are commonly used for protection from sun, rain or as a wind buffer (eg, a shadesail or window awning). The installation of awnings that are 20 sqmt or less on any building at a ground floor or first floor level will comply with this exemption.

Size is a factor for large awnings, as they can damage the walls they are attached to or adjacent property or potentially injure people in high winds. Accordingly, any awnings larger than 20 sqmt require a building consent.

This exemption relates to awnings which are currently attached or are to be attached to a building's external envelope or exterior surfaces.

Awnings may be removed, altered and constructed, providing this work complies with the Building Code. Particular emphasis should be placed on weather tightness detailing when removing, altering and constructing such structures. All mechanical connections (eg, nuts, bolts, coach screws etc) which penetrate the building envelope and provide support to awnings must provide adequate resistance to moisture getting into the structure. Please note, this exemption does not relieve the owner of any other requirements under the Resource Management Act 1991 and or local district plan rules and provisions.

Examples where this exemption could apply:

A shadesail is to be attached above a deck at first floor level of a dwelling. The proposed shadesail has a total area of 18 sqmt, and meets all Building Code requirements.

The removal of an existing 12 sqmt awning providing shade at the entry to a building (situated at first floor level).

Examples where building consent is required:

A glass awning is to be fitted to an apartment on the sixth floor of the building. Though the awning has a total coverage of 14 sqmt, it is not exempt because of its height above ground and a building consent is required.

Territorial Authority discretionary exemptions

Territorial authority discretionary exemptions

Exemption (k) of Schedule 1

A building consent is not required for the following building work:

- (k) any other building work in respect of which the territorial authority (or, as the case requires, the regional authority) considers that a building consent is not necessary for the purposes of this Act because that building work-
 - (i) is unlikely to be carried out otherwise than in accordance with the building code; or
 - (ii) if carried out otherwise than in accordance with the building code, is unlikely to endanger people or any building, whether on the same land or on other property.

Guidance:

Exemption (k) allows a discretionary decision to be made by a territorial authority (city or district council) or regional authority (regional council) to exempt proposed building work from the requirement to obtain a building consent in the circumstances specified in (i) and (ii), above.

Members of the public may ask their local council to consider their proposed building work under this exemption. However, the decision to allow any exemption under this part of Schedule 1 is totally at the council's discretion, based on the risk of building work not complying with the Building Code or endangering people or property.

Local councils should have procedures for making formal decisions under exemption (k) to exempt building work, that meet the specific criteria of (i) and (ii) above, from the requirement to obtain a building consent.

In all cases, the Department recommends that the decision, reason for the decision and the outcome of the decision be recorded by the local council and placed on the property file that relates to the building work.

Powder Coating Installation Care

Warning re use of solvents:

- In some cases strong solvents are recommended for thinning various types of paints and also for cleaning up mastics and sealants.
- These can be harmful to the extended life of the powder coated surface, and must not be used for cleaning purposes.
- It is important to note that the damage will not be visible immediately and may take up to 12 months to develop.

If paint splashes or sealants and mastics need to be removed then the following may be safely used:
Methylated Spirits, Ethyl Alcohol, Isopropanol or preferably a mild detergent in warm water.

Joinery Protection during Installation:

All the activity on a construction site means that your powder coated items may get knocked or scratched, splattered with mortar, plaster, textured coating or paint during the later stages of construction.

Please ensure that all powder coated articles are masked or covered at this time. It is far easier to prevent accidents than to try and correct them. Should your joinery receive mortar or paint splashes see that these are removed before cure and follow the instructions contained in this brochure.

Typical sticker used to warn other trades of the need to protect and mask off powder coated joinery (applies to anodised joinery also)

"IMPORTANT ALL TRADES"
This valuable aluminium joinery will suffer permanent damage from: plaster, mortar and paint splashes - Protect if splashes occur - Immediately wash down joinery with water or meths - Do not allow splashes to harden! - Do not use solvents! - Do not remove this label until final clean completed.

This photograph display damage that has occurred on site, post installation. The photo of the masked joinery displays clear signs of damage that could have occurred were it not masked. Please ensure that your joinery is protected right through the entire construction process.



Powder Coating Maintenance

External - Maintenance Program:

To extend the life of external powder coated articles and to comply with warranty requirements for powder coated aluminium joinery, a simple, regular maintenance program must be implemented.

The effects of ultra violet light, atmospheric pollution, dirt, grime and airborne salt deposits will all accumulate over time and must be removed or surface staining and weathering will occur, leading to an unsightly appearance.

For external coatings, cleaning should take place every six months. In areas where pollutants are more prevalent, such as beachfront houses and industrial or geothermal areas, then a cleaning program should be carried out on a more frequent basis ie. every one to three months.

Cleaning your powder coating:

1. Carefully remove any loose surface deposits with a wet sponge.
2. Use a soft brush (non abrasive) and a mild household detergent (do not use solvents) in warm water, remove dust, salt and other deposits.
3. Rinse off with clean fresh water.



Restoring weathered or scratched surfaces:

Repair of Scuffed or Scratched surfaces
Dulux Spray Cans are available in all colour card colours.

Repair of Small Scratches or Chips.
Dulux Dabsticks are ideally suited for the repair of small scratches.
Dabsticks may not be available in all colour card colours.

Repair of Weathered areas .
Dulux Gloss Up is a light to medium cutting cream ideally suited for gloss restoration and has been specifically designed for this purpose.
Gloss Up contains no waxes or silicone and is a one step system.



Contact Dulux Powder Coatings , ph 0064 9 441 8244

All pages © Copyright Juralco Aluminium Building Products Ltd, 2024

