



 JURALCO

JURALCO BANNETTE AWNING SYSTEM

ISSUE 3-24 v1

Juralco Bannette Awning System

Juralco Aluminium Building Products Ltd designs and distributes specialist aluminium joinery systems through a national network of franchised fabricators and agents.

For more than 25 years we have been at the forefront of specialist aluminium door and window products suitable for New Zealand joinery and building methods. Our comprehensive product range includes security and insect screens, balustrades and gates, shutters and awnings, shower screens, wardrobe doors and organisers and internal doors.

The Juralco Bannette Awning is a compact, ready-to-install, system designed for outside use anywhere protection is needed from sun or rain. All of the components are made of aluminium alloy or powder coated/galvanised steel forming a highly-resistant, lightweight, rust-proof construction. The awning is designed to adapt to all types of openings regardless of the dimensions. Installation is straightforward. Bannette awnings operation is either manual or by a tubular electric motor, fitted with remote control. A wide range of attractive mildew and UV resistant 100% acrylic fabrics are available, all with a 5 year guarantee.



Bannette Drop Arm Shade Awning

New from Jan 2023. Important instructions for Powder Coatings near Salt Water

The new standard Dulux powder coating systems used by Juralco are:

- Duralloy® (to be phased out) for structures greater than 100m from high tide and up to 3 stories high. Duralloy® has a 10 yr warranty.
- Duralloy Plus® (full Duralloy® colour range) for structures greater than 10m from high tide and up to 3 stories high. Duralloy Plus® has a 15 yr warranty.
- Duratec® for prestigious residential and commercial developments over 10m from high tide and over 3 stories high. Duratec® has a 25yr warranty.

For all other applications contact Juralco for alternative systems.

Note - Powder coated prices listed in Juralco price books are for Duralloy® or Duralloy Plus® systems. If the Duratec® system is required it must be specified upon placement of the order and will incur a surcharge – Duratec® prices on application.

Important instructions for Powder Coating - Attachment to structures

PVC Tape or similar material spacer must be used to separate powder coated aluminium items from all concrete and steel structures. Failure to do so can lead to the chemicals in the structure affecting the powder coating layer on the aluminium, leading to corrosion.

Powder Coating Warranty

The Dulux powder coating warranty period is conditional upon the surface being maintained in accordance with the Dulux 'Care and Maintenance Instructions'. Contact your installer for a copy, download from Dulux or refer to the back page of this manual.

Juralco Bannette Awning System - General and Index

General Description - Pages 3 - 7

- There are two Juralco Bannette Awning systems - A Drop Arm shade awning and a vertical Drop Down curtain system.
- The Drop Arm system is available as a single unit up to 5mt wide.
- The Drop Down system is available as a single unit up to 4mt wide, and comes in three types.
- The basic Clear Drop system, no side guides. The horizontal drop bar is secured to the floor.
- The Clear Drop Zipped system, has side guides and side zippers. The sides and top are permanently installed into a face or reveal mounted extrusion. The Clear Panel can be unzipped at each side and manually rolled up. Retained with clear plastic straps. No floor clips needed. Draught proof.
- Typical applications include Decks, Bars, Shops, Terraces, or anywhere needing protection from the sun, wind or unexpected rain showers.
- Standard finishes - Aluminium Extrusions - Natural anodised. Cast aluminium items Bright Polished.

Bannette Drop Arm Shade Awning - Pages 8 - 11

The awning is supplied pre assembled with all necessary brackets, awning roll and two arm units.

- **Axle Assembly** - Roller tube axle. Mounting brackets and axle holders.
- **Awning fabric** - Many styles available, all mildew, UV resistant and Scotchguard treated.
- **Arms** - Supplied with spring loaded arms to more evenly tension the fabric cover, and control movement in windy conditions. Four arm lengths from 750mm to 1500mm, mounting bracket attached.
- **Drive - Manual** - A gearbox fitted to the end of the roller tub assists the operator to raise/lower the curtain.
- **Drive - Motorised** - An inline tubular motor raises or lowers the awning automatically. Switch or remote wireless controls available.
- **Wind** - As for all Awnings, care must be taken when installing in Wind prone areas. A Volo wind sensor is strongly recommended.

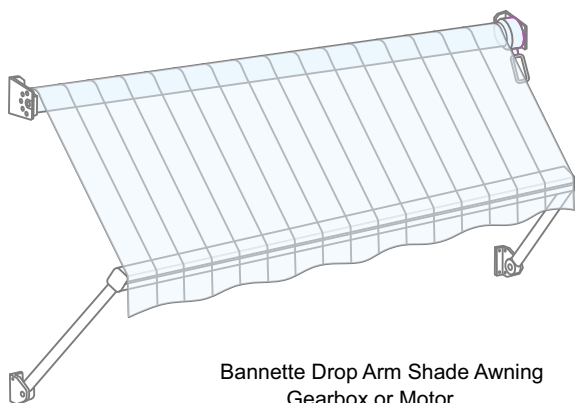
Bannette Clear Drop Down Awning - Pages 12 - 14

- The awning is supplied pre assembled with all necessary brackets, awning roll and tie downs.
- **Axle Assembly** - Roller tube axle. Mounting brackets and axle holders.
- **Awning fabric** - Clear plastic, or Fabric with sewn border in a selection of colours or a standard awning material.
- **Tie Downs** - A variety of clips are available.
- **Drive - Manual** - A gearbox fitted to the end of the roller tube assists the operator to raise/lower the curtain.

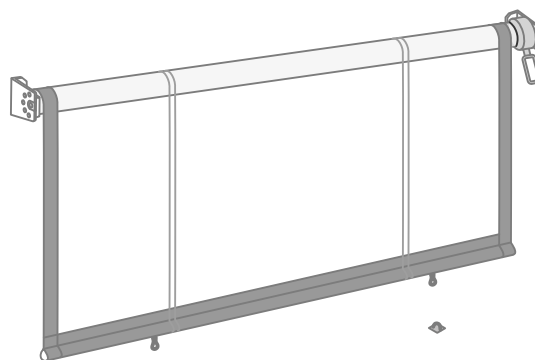
The Bannette Clear Drop Down Zipped Awning - Pages 15 - 16

- The awning is supplied complete with all necessary extrusion, awning roll and tie ups.
- **Awning fabric** - Clear plastic, or Fabric with sewn border in a selection of colours.
- **Track Extrusion** - A selection of, Natural anodized only, Black or White.
- **Tie Ups** - Clear Plastic straps and mounted clips. A variety of clips are available.

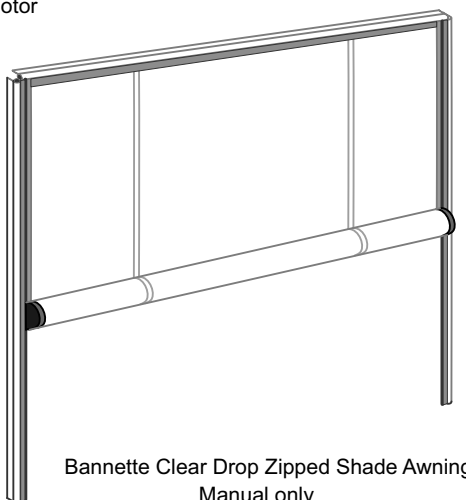
Building Consent Guide - Page 17



Bannette Drop Arm Shade Awning
Gearbox or Motor

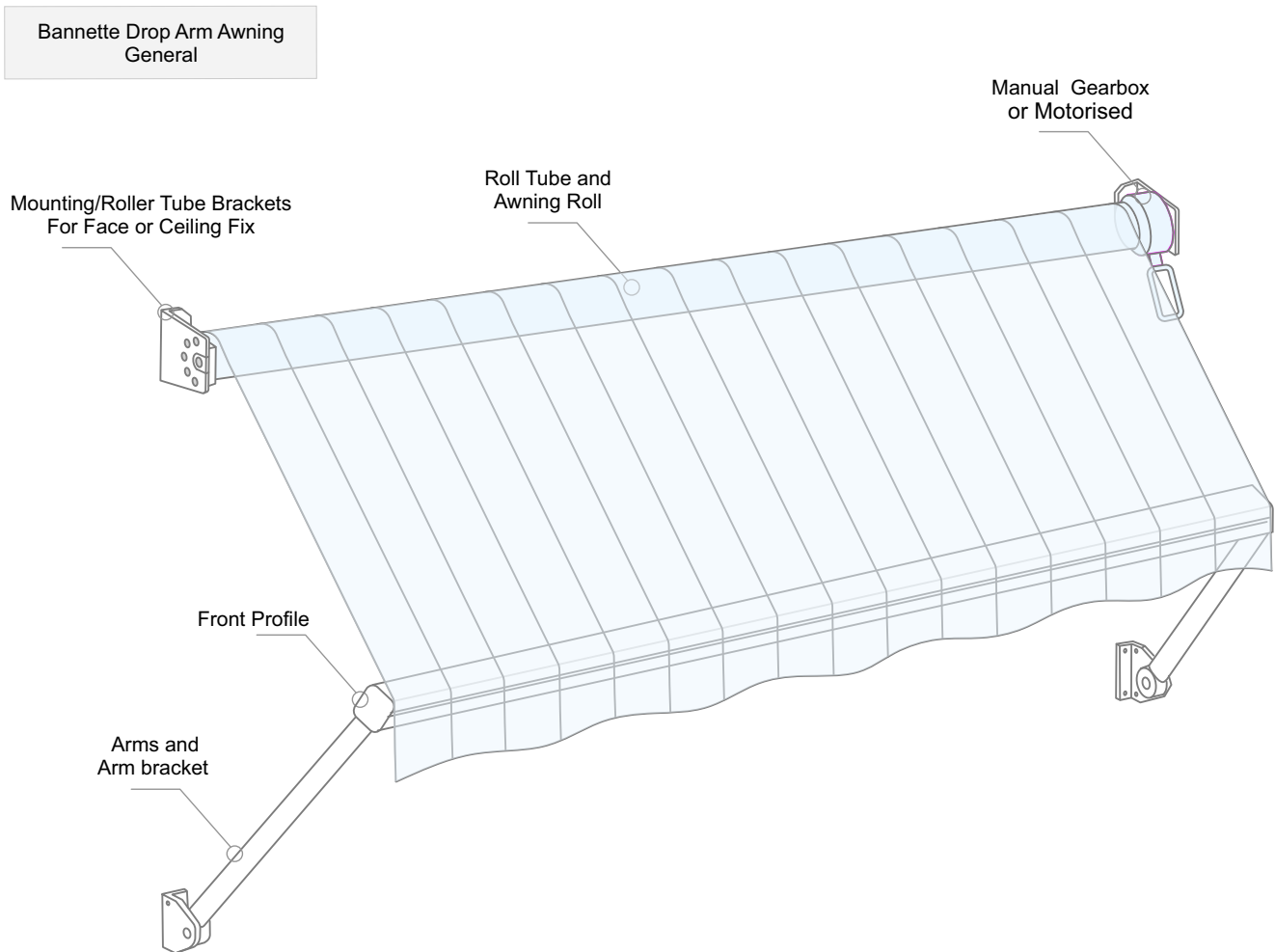


Bannette Clear Drop Shade Awning
Gearbox only



Bannette Clear Drop Zipped Shade Awning
Manual only

Juralco Bannette Awning System - General Descriptions



Bannette Drop Arm	
Overall Width, max	5.9mt

The Juralco Bannette Drop Arm awning consists of :

Mounting /Roller Tube Brackets, made of cast aluminium suitable for face or ceiling installation. Supports the ends of the Roller Tube.

Operation by means of a gearbox/handle, R1/7 and R1/13 gearbox, or tubular motor (with or without manual override).

Roller tube, 2mm wall aluminium extrusion 80mm dia, with a groove to fix the awning fabric. One end equipped with the operating system and the other mounted with a circular shaft.

Arms, made of extruded aluminium profile connected to an aluminium pivot bracket. A tension spring integrated into the bracket guarantees a perfect tension of the fabrics in all positions.

Arm dimensions 1500 mm only

Front profile, from extruded aluminium, 45mm sq cross section to which are connected the arms, the fabrics cover and a valance.

Awning Fabric - Dickson or Planosol fabric ranges.

A selection of many fabrics in various colourways.

Awning fabrics will withstand wind, rain and pollution.

The fabrics are colour durable and resistant to most common chemicals, mildew, and UV degradation; all have a minimum five-year guarantee.

Finishes, Cast aluminium parts - bright Polished. Aluminium extrusions - natural anodised.

OPTIONS.

Controls for the tubular motor; switch or wireless controls can be mounted alongside or at a remote location. Also available are remote wind actuated controls.

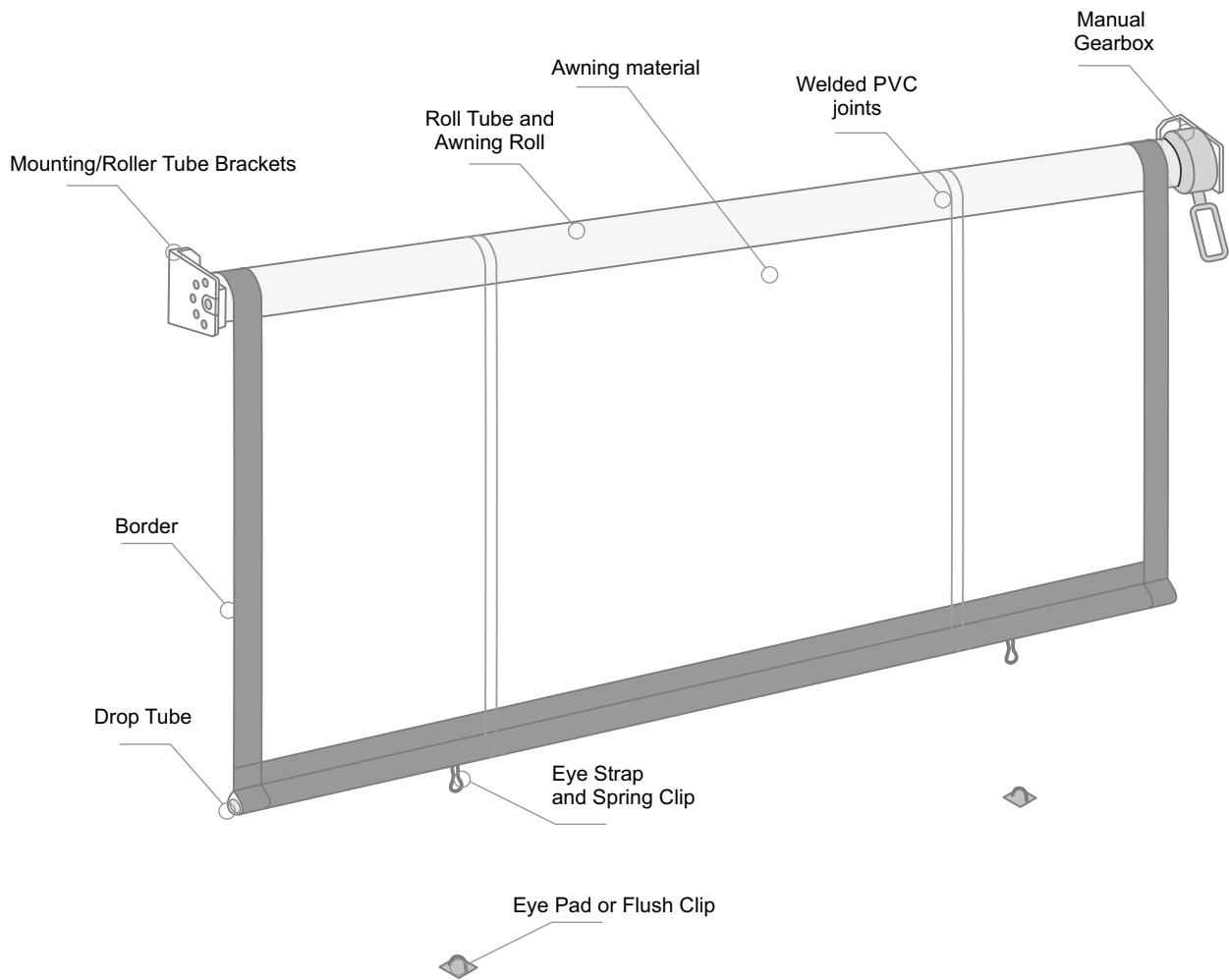
Refer page 7 for Fabric information

Note: It is recommended that eyelets are fitted to the front edge of the fabric, to promote draining.

Juralco Bannette Awning System - General Descriptions

Bannette Drop Down Awning
General

No side guides, as shown below.



	4
	3
	1

The Juralco Bannette Clear Drop awning consists of :

Mounting /Roller Tube Brackets, made of cast aluminium suitable for face or soffit installation. Supports the ends of the Roller Tube.

Operation by means of a R1:7 gearbox/handle, only

Roller tube, 2mm wall aluminium extrusion 80mmdia, with a groove to fix the awning fabric. One end equipped with the operating system and the other mounted with a circular shaft.

Front profile, from extruded aluminium, 32mm dia to which are connected the drop tube clips.

Awning, either a clear plastic panel, complete with sewn in coloured border, or a standard awning material.

Awning Fabric - Dickson, Planosol or Solarview fabric ranges.

A selection of many fabrics in various colourways.

Awning fabrics will withstand wind, rain and pollution.

The fabrics are colour durable and resistant to most common chemicals, mildew, and UV degradation; all have a minimum five-year guarantee.

Finishes, Cast aluminium parts - powder coated Grey. Aluminium extrusions - natural anodised.

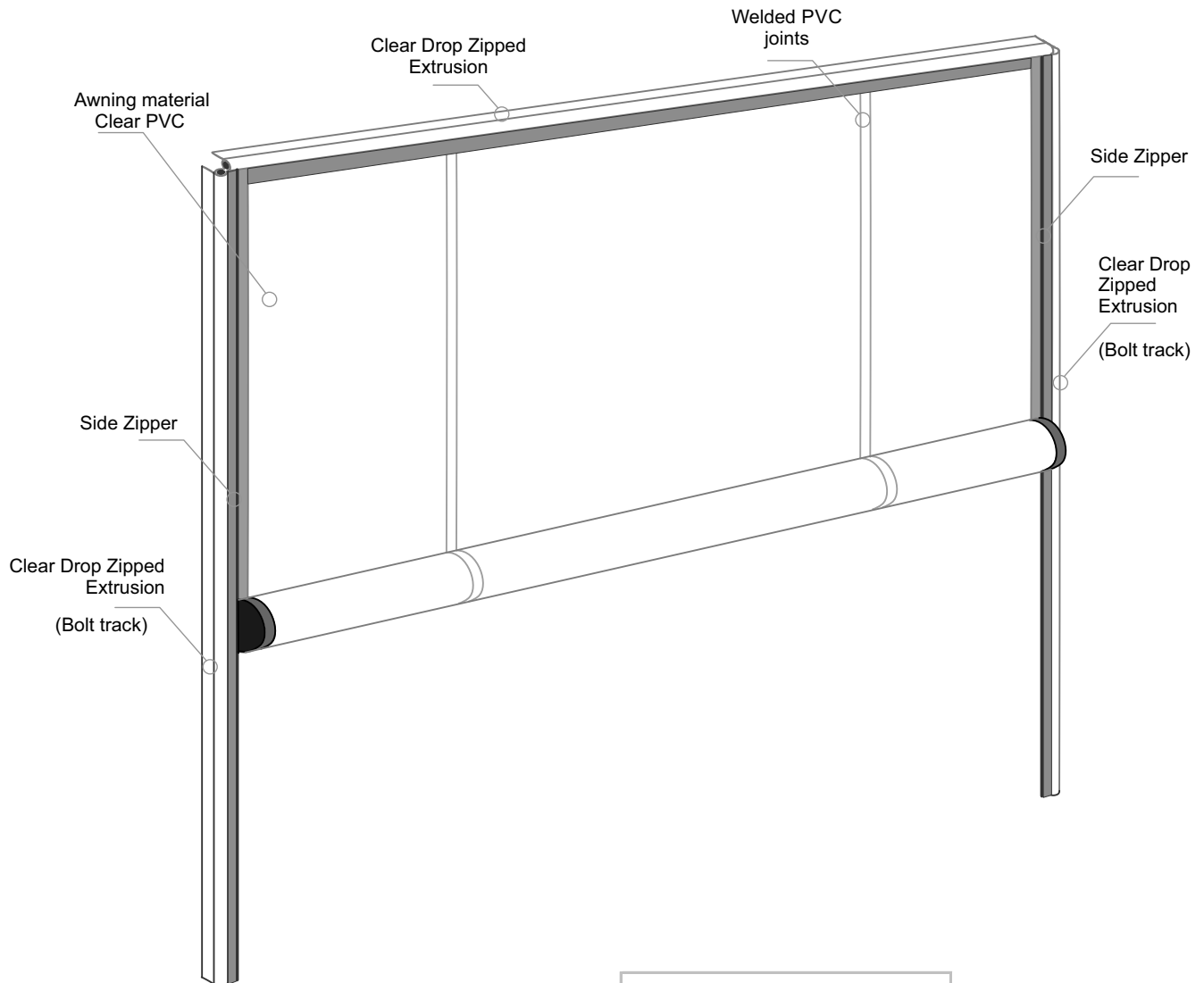
PVC Joints, Max PVC width 1350mm. Wider curtains will have welded vertical PVC joints. Joints may only be vertical - horizontal joints void PVC manufacturers warranty.

Refer page 7 for Fabric information

Juralco Bannette Awning System - General Descriptions

Bannette Clear Drop Down
Zipped Awning - General

Side guides and zipper, as shown below
Manual lift/drop only.
Plastic Tie ups are used to hold curtain roll in the raised position



	4
	3
	1

The Juralco Bannette Clear Drop Zipped awning consists of :
Clear Drop Zipped Extrusion, JDA 11079 made of aluminium suitable for face or soffit installation. Installed on 3 x sides. Awning has ropes sewn in the Top and both sides. These are permanently attached to the extrusion.

Awning, either a clear plastic panel, complete with sewn in coloured border, or a standard awning material.

Awning Fabric - Clear PVC only

Finishes, Cast aluminium parts - powder coated Grey. Aluminium extrusions - natural anodised.

PVC Joints, Max PVC width 1350mm. Wider curtains will have welded vertical PVC joints. Joints may only be vertical - horizontal joints void PVC manufacturers warranty.

Refer page 7 for Fabric information

Juralco Bannette Awning System - Fabric Descriptions

Fabric Range

Dickons Orchestra Awning & Outdoor Canvas

The outdoor fabric of choice when it comes to solar protection, offering long- term protection against UV rays, heat, glare and inclement weather. Its solution-dyed Sunacryl acrylic fibres and special Cleangard treatment give it exceptional long-term colour fastness and superior resistance to tearing, water damage and dirt.

Sunacryl, 100% solution-dyed acrylic: the colour is locked right into the very core of the fibres during manufacture (in contrast to the traditional yarn-dyeing process whereby colours are applied to the finished yarn and remain on the surface). Dyed all the way through, this type of yarn ensures exceptionally long-lasting, ultra vivid colours.

Followed by a special treatment CLEANGARD: the ultra modern process for protecting outdoor fabrics, called NPP (Nanotechnology Protection Process), is based on an extremely dense assembly of nanomolecules which create a genuine water barrier and prevent dirt from building up. It ensures optimal beading (5/5 on spray tests) and outstanding water resistance (350 mm in water column tests) according to official results.

Planosol Awning Fabric

Planosol is manufactured from 100% acrylic fibre and will retain a light fastness rating of 6-8 on a 1-8 scale.

Planosol is very tightly woven, with minimal light transmission, resulting in excellent UV protection. It has Ultraviolet Protection factor of 50+, maximum value granted for percentage of protection against UV ray and SPF 100. Planosol fabric will remain rot resistant for 5 years under normal exposure conditions.

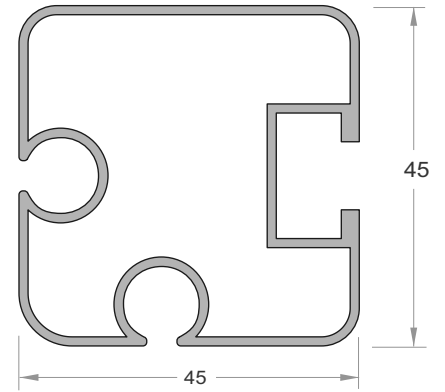
Clear PVC Film

- A Thick hard wearing transparent PVC film. Principal use; for Clear Drop and Clear Drop Zipped
Can be joined (vertical joints only) to 4mt wide max.
- Sewn on 50mm borders, Black or White

Clear Drop Material	Thickness	Spec
Polished, Flexible, Clear PVC Film x 1350mm wide	0.75mm	No Cadmium formulation. Incorporates UV Inhibitor

Juralco Bannette Awning Systems - Drop Arm Awning Extrusions, Components

Shade Awning Extrusions



FRONT BAR
JDA/110 71/4/NAT
JDA/110 71/5.82/NAT

Gearbox Handle

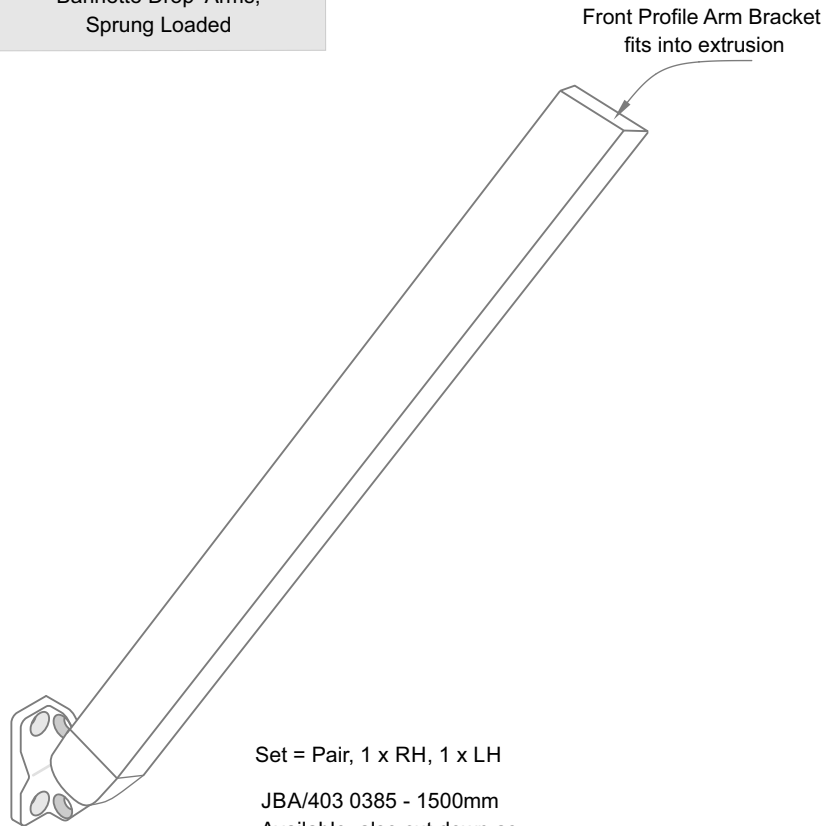


Gearbox Handle
Clip, Pt No
JDA/402 6500



JDA/403 0431 - 1200mm
JDA/403 0593 - 1600mm
JDA/403 0595 - 2000mm

Bannette Drop Arms, Sprung Loaded



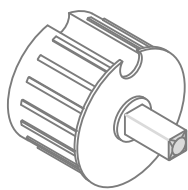
Set = Pair, 1 x RH, 1 x LH

JBA/403 0385 - 1500mm
Available, also cut down as
750mm, 1000mm and 1250mm arms



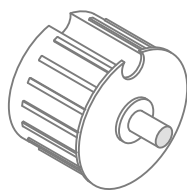
Juralco Bannette Awning System - Drop Arm Awning Components

Roller Tube End Cap
JDA/403 1325



80mm dia, 13mmsq shaft

Roller Tube End Cap
JDA/403 1326

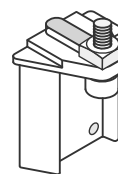


80mm dia, 12mm dia shaft

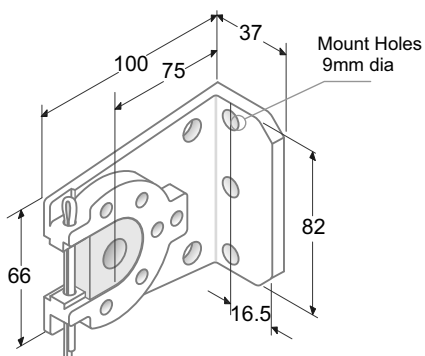
Front Profile
End Cap, Pt No
JDA/314 05/PC



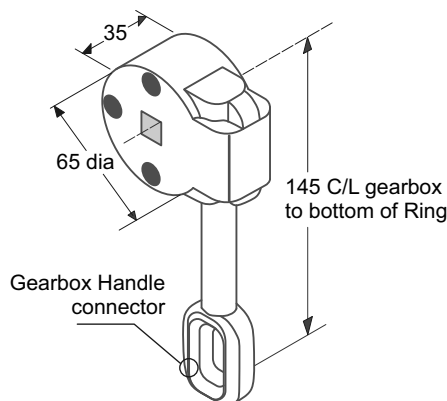
Front Profile with
Spring
JBA/403 0491



Roller Tube Support
JBA/403 1542



Manual Gearbox 1:9
JDA/4032424

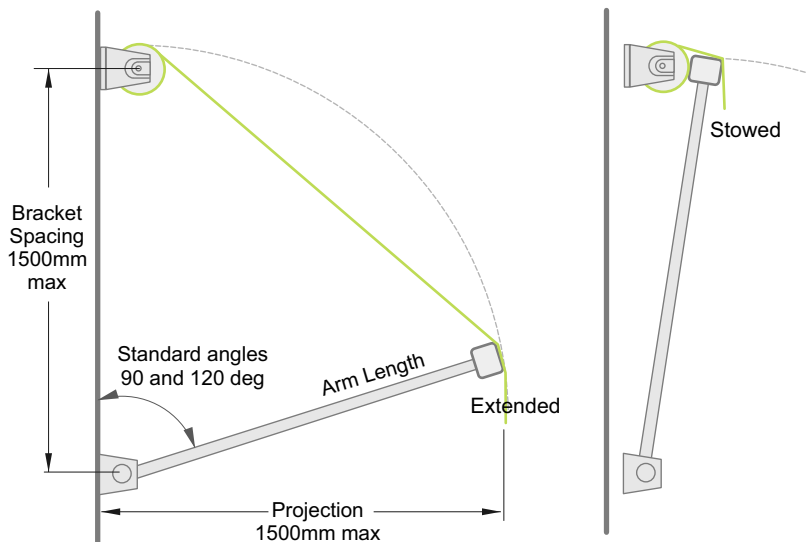


Juralco Bannette Awning System - Drop Arm Awning Measuring, Installation

Drop Arm Measuring

Awning on site Check List:

- 1 - Check the desired width and installation area, making sure there are no obstructions.
- 2 - Check that the Mounting brackets have secure fixing points.
- 3 - Check the desired coverage making sure there are no obstructions.
- 4 - Check the stowed position.
- 5 - Check the desired awning material.
- 6 - Check the desired method of operation.
Manual, 1:7 gearbox.
Motor, choice of switch or wireless controls.
Motor, optional extra sensor for wind.
- 7 - Check width, max overall = 5mt



Drop Arm Awning Installation

Note: Prior to delivering to site, unpack and check all items

- 1 - Carefully unpack and check for damage. Note - BE VERY CAREFUL THE AWNING IS NOT ACCIDENTLY CUT during unpacking.
- 2 - Check the awning, making sure it has been made to site measurements.
- 3 - Mark out Roller Tube Mounting Bracket positions on Wall/Ceiling. Install. Note - Brackets must be firmly mounted into the building structure.
- 4 - Mark Arm Bracket positions on wall. Must be compatible with stowing position and vertically below the Roller brackets above. Install.
- 5 - Insert the Awning/Roller tube 13mm dia axle into the bearing. Attach the Gearbox or Motor to the other bracket.
- 6 - Set limits on motor if used. Follow manufacturers instructions.
- 7 - Insert and tighten all screws.
- 8 - Test the awning opens and closes easily.
- 9 - Always clean off all fingermarks, leave the site clean and tidy.



JURALCO

www.juralco.co.nz ph (09) 478 8018

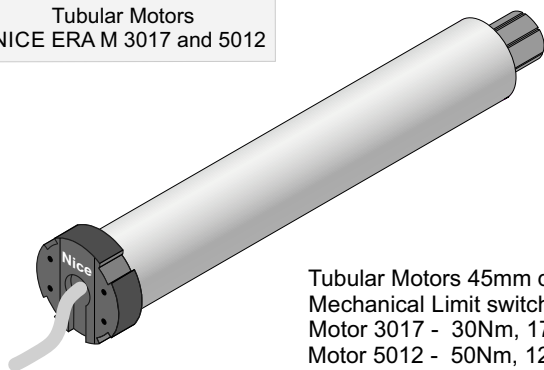
Juralco Bannette Awning System

Issue 3-24 v1

Page 9

Juralco Bannette Awning System - In Line Motors and Controls

Tubular Motors JNICE ERA M 3017 and 5012



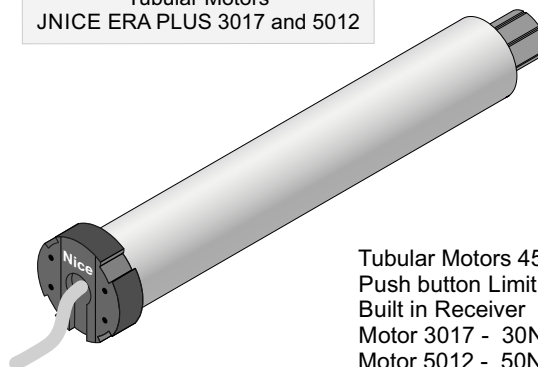
Tubular Motors 45mm dia
Mechanical Limit switches
Motor 3017 - 30Nm, 17rpm
Motor 5012 - 50Nm, 12rpm

POWER CABLE

Length 2.5 m, 4 wires in cable



Tubular Motors JNICE ERA PLUS 3017 and 5012



Tubular Motors 45mm dia
Push button Limit switches
Built in Receiver
Motor 3017 - 30Nm, 17rpm
Motor 5012 - 50Nm, 12rpm

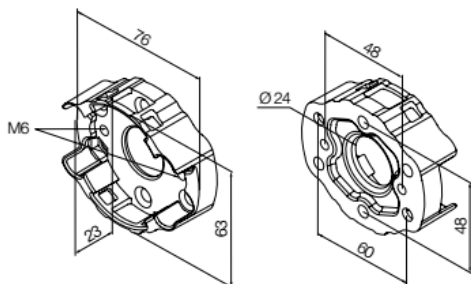
POWER CABLE

Cable length 2.5 m, 6 wires in cable



Motor Mount Brackets JNICE/BRKT/ERAM

For 45mm dia Motors
Compact aluminium support. 2 x holes M6 at 48 and 60mm CL



Manual Switch Controls

Wall Controls



3 position Rotary Wall Switch
Up - Off - Close
Cover Plate - Part No SSW 770 CPSM
Switch - Part No SSW 770 RSB

Wireless Remote Controls

Wireless Modules



Modules are available in the following configurations for Open, Stop, Close operations, either in single or multi group mode.

- WM001G - 1 x Single or Multigroup
- WM002G - 2 x Single or Multigroup
- WM003G - 3 x Groups in Single or Multigroup
- WM006G - 6 x Groups in Single or Multigroup

Standard Housings for Wireless Modules (above)



WAX
Table top or
Wall mount transmitter with magnetic attachment to WWW Wall bracket



WWW Wall bracket for magnetic attachment to WAX transmitter

Drive Wheel and Crown JNICE/45ROUND78



Motor Remote Control Sensors

Wind Sensor threshold has 3 wind speed settings
15, 30, 45 Kph



JNICE/WIND/S
Volo Wind Sensor

NEMO VIBE does not require any additional connections because it is battery powered. It screw attaches to the front of the awning. During windy conditions, a signal (adjustable) is sent via radio sensor to the motor mounted in the awning, which then retracts the awning.



JNICE/NEMOVIBE
Vibration Sensor

BANNETTE

Drop Arm Awning System - Order Form

AW #

Customer

Contact

Order No

Date

WO Juralco

SO Juralco

\$ Juralco

Select/Enter Dimensions below. Enter details/selections into all boxes. Then scan and send to sales@juralco.co.nz

1

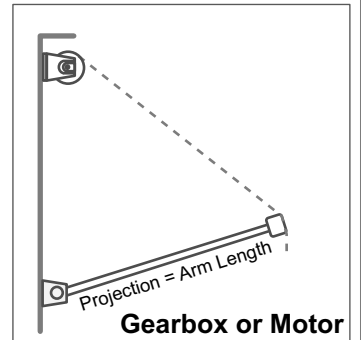
Unsuitable for Strong Winds

Select Projection then enter Width Overall Measurements

Projection (Arm Length)	
750mm	
1000mm	
1250mm	
1500mm	

Overall width

- Overall width 1000mm min, 5920mm max.
- Awning - enough material supplied to arm horizontal.



5

Select Fabric Type and Colour

Planasol

Dickson

Specify Fabric Colour and Code

3

Select Gear Box or Motor

Gearbox Motor + Switch

Motor + Wireless

4

Select Motor or Gearbox End, viewed from Front

LH RH

5

If Gearbox, Select Handle Length

1200mm 1600mm

Wall clip?

If Motor + Wireless selected, these options apply

6

Volo Wind sensor, if required

Yes No

7

NemoVibe sensor, if required

Yes No

8

Nemo Sun/Rain sensor, if required

Yes No

9

Additional Motor Remote Control?

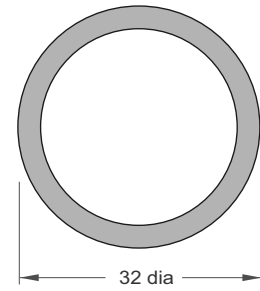
Yes No

10

Notes:

Juralco Bannette Awning Systems - Drop Down Extrusions, Components

Clear Drop Extrusions



Gearbox Handles

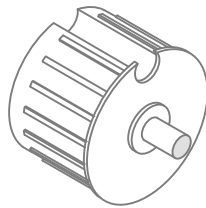


Gearbox Handle
Clip, Pt No
JDA/402 6500



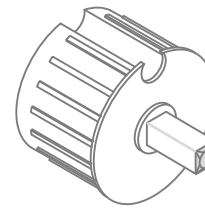
JDA/403 0431 - 1200mm
JDA/403 0592 - 1400mm
JDA/403 0593 - 1600mm
JDA/403 0595 - 2000mm

Roller Tube End Cap JDA/403 1325



80mm dia
12mm dia shaft
(adjustable)

Roller Tube End Cap JDA/403 1326



80mm dia
13mmsq shaft

Eye Strap JCA 2



Standard Attachment
to underside of drop tube

Eye Pad JCA 1



Fixed Full
Hook Clip

Spring Clip JCA 3



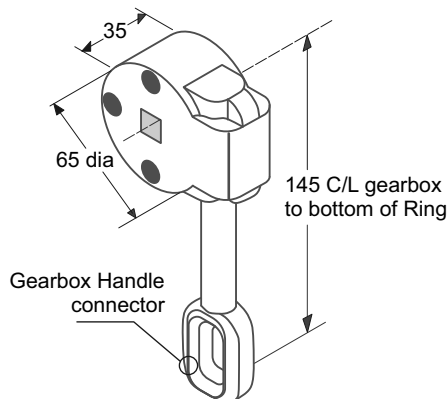
Carabineer Clip

Pad Eye, Folding JCA 4

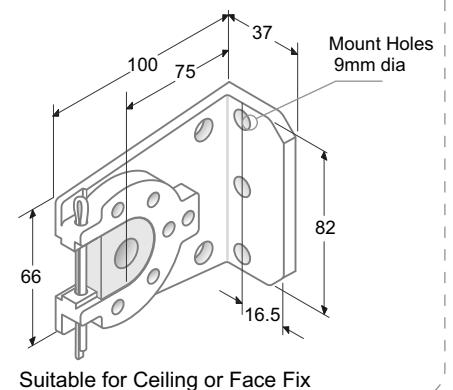


Flush Full
Hook Clip

Manual Gearbox 1:9 JDA/4032424



Roller Tube Mounting Bracket JBA/403 1542

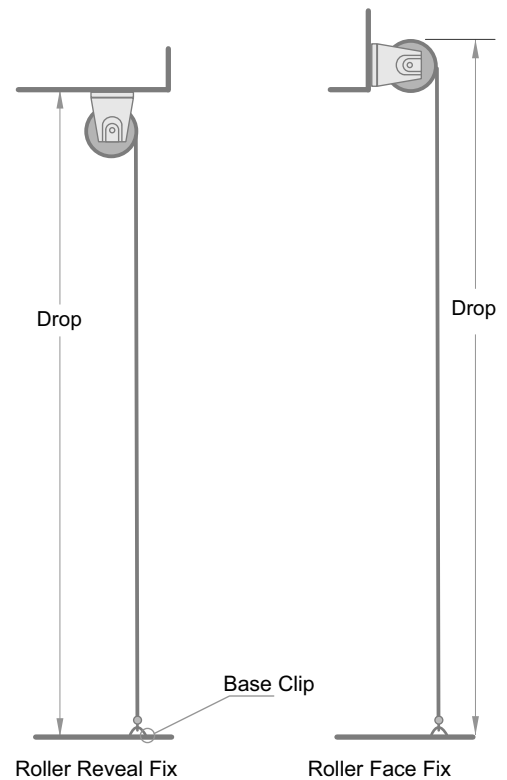


Juralco Bannette Awning System - Drop Down Measuring, Installation

Clear Drop Measuring

Clear Drop on site Check List:

- 1 - Check the desired width and installation area, making sure there are no obstructions.
- 2 - Check that the Mounting brackets have secure fixing points.
- 3 - Check the base clips operation.
- 4 - Check the desired awning material.
- 5 - Check end for gearbox operation (no motor option).
- 6 - Check overall width 4mt max, overall drop 3mt max, Area 10sqmt max.



Clear Drop Installation

- 1 - Carefully unpack and check for damage. Note - **BE VERY CAREFUL THE AWNING IS NOT ACCIDENTLY CUT** during unpacking.
- 2 - Check the awning, making sure it has been made to site measurements.
- 3 - Mark out Roller Tube Mounting Bracket positions on Wall/Soffit. Install. Note - Brackets must be firmly mounted into the building structure.
- 4 - Insert the Awning/Roller tube 13mm dia axle into the bearing. Attach the Gearbox/Motor to the other bracket. Screw in place.
- 5 - Insert and tighten all screws.
- 6 - Test the awning opens and closes easily.
- 7 - Mark position of Base clips. Install. Check awning clips down easily.
- 8 - Always clean off all fingermarks, leave the site clean and tidy.

BANNETTE

Drop Down System - Order Form

AW #

Customer

Contact

Order No

Date

WO Juralco

SO Juralco

\$ Juralco

Select/Enter Dimensions below. Enter details/selections into all boxes. Then scan and send to sales@juralco.co.nz

1 Unsuitable for Strong Winds

Enter Overall Measurements

Overall Drop

Overall width

For Clear PVC or Fabric. For Gearbox operation only

Notes: - Overall width 4000mm max.

- Overall height 3000mm max

- Overall area 10sqm max

- Clear PVC, 1350mm wide. Vertical join details if necessary.

- Includes SS Saddle clamps and Awning Hooks



2 Select Gearbox End, viewed from Front

LH

RH

3 Select Gearbox Handle Length

1200mm

1400mm

1600mm

Wall clip?

4 Select Fabric Type and Colour

Clear PVC

Dickson

Planasol

Solarview

IF Fabric - Specify Fabric Colour and Code

5 Select Border Colour (PVC only, 50mm)

Black

White

6 Specify Numbers of Clip Sets required

Clip Sets

Tick to select Option

Clip Set- Option A

1 x ea. Eye strap, Spring clip and Flush Lift Hook

Clip Set- Option B

1 x ea. Eye strap, Spring clip and Rectangular Eye Pad

7 Notes:



JURALCO

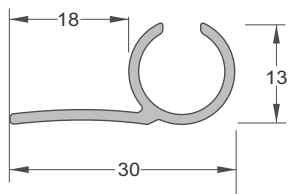
www.juralco.co.nz ph (09) 478 8018

Juralco Bannette Awning System

Issue 3-24 v1
Page 14

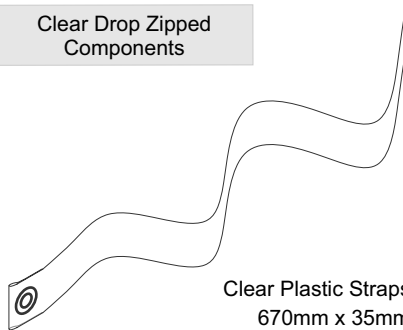
Juralco Bannette Awning Systems - Clear Drop Zipped Extrusions, Components

Clear Drop Zipped Extrusion

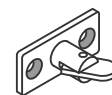


11.2mm dia Bolt TRack
JDA/110 79/5

Clear Drop Zipped Components

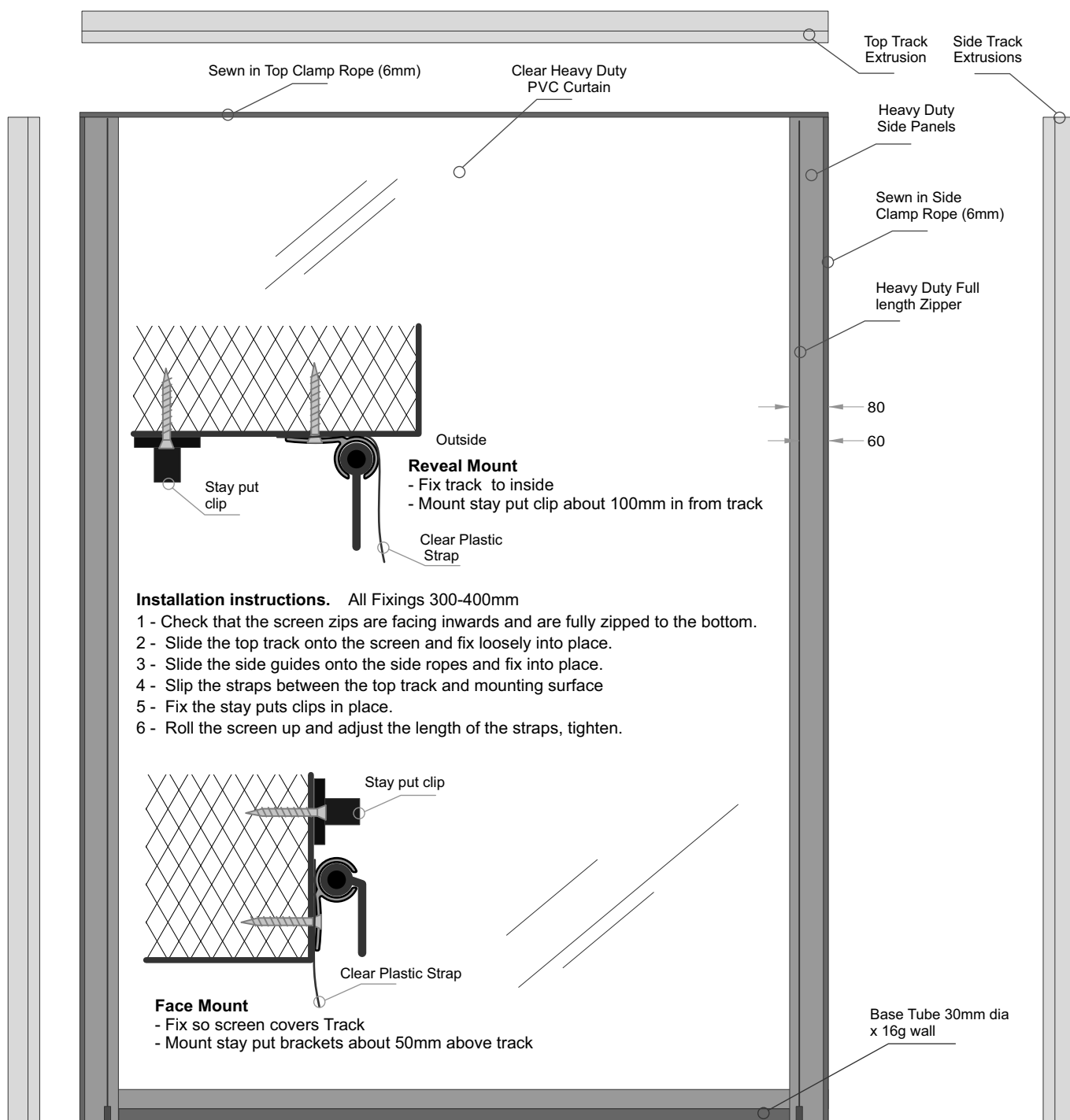


Clear Plastic Straps x 2
670mm x 35mm
Part No JBA/STRAP



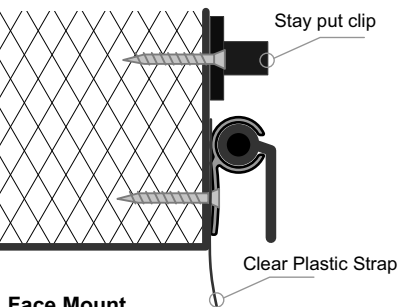
Clear Drop Down Hooks x 2
Base 35mm x 16mm
JBA/FOLD/HOOK

Clear Drop Zipped Curtain Features



Installation instructions. All Fixings 300-400mm

- 1 - Check that the screen zips are facing inwards and are fully zipped to the bottom.
- 2 - Slide the top track onto the screen and fix loosely into place.
- 3 - Slide the side guides onto the side ropes and fix into place.
- 4 - Slip the straps between the top track and mounting surface
- 5 - Fix the stay puts clips in place.
- 6 - Roll the screen up and adjust the length of the straps, tighten.



Face Mount

- Fix so screen covers Track
- Mount stay put brackets about 50mm above track

BANNETTE		Drop Down Zipped System - Order Form		AW #
Customer		Contact		
Order No		Date		

WO Juralco	SO Juralco	\$ Juralco
-------------------	-------------------	-------------------

Select/Enter Dimensions below. Enter details/selections into all boxes. Then scan and send to sales@juralco.co.nz

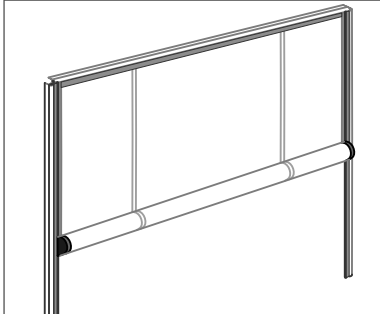
1 Unsuitable for Strong Winds

Enter Overall Dimensions

Overall Height		Overall width	
----------------	--	---------------	--

For Clear PVC Only. For Manual operation only

Notes: - Overall width 4000mm max. Rope to Rope
 - Overall height 3000mm max. Top Rope to Bottom Tube
 - Overall area 10sqmt max
 - Clear PVC 1350mm wide. Vertical join details if necessary.
 - Includes 2 x PVC Clips, 2 x Stayputs, Rope Track and Bottom tube



Manual Operation only

2 Select Side Panel Colour

Black		Silver	
White		Cream	

3 Select Zip Colour

Black	
White	

4 Notes:

Juralco Bannette Awning System - Building Consents

These two pages are an extract from the Department of Building and Housing

- Building Work that does not require a Building consent - pages 21 to 24. Online at www.dbh.govt.nz/bc-no-consent
- These are new exemptions dated December 2010

While every effort has been made to ensure that this information is correct at time of writing, it is provided for guidance only and Juralco will accept no liability for, nor warrants the accuracy of this guidance. It is the sole responsibility of the of the purchaser to confirm current status of consent requirements with the relevant territorial authority before purchase and installation.

Awnings

Awnings.

Exemption (ja) of Schedule 1

A building consent is not required for the following building work:

- (ja) the construction, alteration, or removal of any fabric, glass, or metal awning on any building that-
 - (i) is on the ground or first storey level; and
 - (ii) does not exceed 20 square metres in size.

Guidance:

Awnings are usually coverings that are fabric, glass or metal. They are normally attached to the exterior of a building and are commonly used for protection from sun, rain or as a wind buffer (eg, a shadesail or window awning). The installation of awnings that are 20 square metres or less on any building at a ground floor or first floor level will comply with this exemption.

Size is a factor for large awnings, as they can damage the walls they are attached to or adjacent property or potentially injure people in high winds. Accordingly, any awnings larger than 20 square metres require a building consent.

This exemption relates to awnings which are currently attached or are to be attached to a building's external envelope or exterior surfaces.

Awnings may be removed, altered and constructed, providing this work complies with the Building Code. Particular emphasis should be placed on weather tightness detailing when removing, altering and constructing such structures. All mechanical connections (eg, nuts, bolts, coach screws etc) which penetrate the building envelope and provide support to awnings must provide adequate resistance to moisture getting into the structure. Please note, this exemption does not relieve the owner of any other requirements under the Resource Management Act 1991 and or local district plan rules and provisions.

Examples where this exemption could apply:

A shadesail is to be attached above a deck at first floor level of a dwelling. The proposed shadesail has a total area of 14 square metres, and meets all Building Code requirements.

The removal of an existing 12 square metres awning providing shade at the entry to a building (situated at first floor level).

Examples where building consent is required:

A glass awning is to be fitted to an apartment on the sixth floor of the building. Though the awning has a total coverage of 14 square metres, it is not exempt because of its height above ground and a building consent is required.

Territorial Authority discretionary exemptions

Territorial authority discretionary exemptions

Exemption (k) of Schedule 1

A building consent is not required for the following building work:

- (k) any other building work in respect of which the territorial authority (or, as the case requires, the regional authority) considers that a building consent is not necessary for the purposes of this Act because that building work-
 - (i) is unlikely to be carried out otherwise than in accordance with the building code; or
 - (ii) if carried out otherwise than in accordance with the building code, is unlikely to endanger people or any building, whether on the same land or on other property.

Guidance:

Exemption (k) allows a discretionary decision to be made by a territorial authority (city or district council) or regional authority (regional council) to exempt proposed building work from the requirement to obtain a building consent in the circumstances specified in (i) and (ii), above.

Members of the public may ask their local council to consider their proposed building work under this exemption. However, the decision to allow any exemption under this part of Schedule 1 is totally at the council's discretion, based on the risk of building work not complying with the Building Code or endangering people or property.

Local councils should have procedures for making formal decisions under exemption (k) to exempt building work, that meet the specific criteria of (i) and (ii) above, from the requirement to obtain a building consent.

In all cases, the Department recommends that the decision, reason for the decision and the outcome of the decision be recorded by the local council and placed on the property file that relates to the building work.

Juralco Bannette Awning System - Powder Coating Care and Maintenance

Powder Coating Installation Care

Warning re use of solvents:

- In some cases strong solvents are recommended for thinning various types of paints and also for cleaning up mastics and sealants.
- These can be harmful to the extended life of the powder coated surface, and must not be used for cleaning purposes.
- It is important to note that the damage will not be visible immediately and may take up to 12 months to develop.

If paint splashes or sealants and mastics need to be removed then the following may be safely used:
Methylated Spirits, Ethyl Alcohol, Isopropanol or preferably a mild detergent in warm water.

Joinery Protection during Installation:

All the activity on a construction site means that your powder coated items may get knocked or scratched, splattered with mortar, plaster, textured coating or paint during the later stages of construction.

Please ensure that all powder coated articles are masked or covered at this time. It is far easier to prevent accidents than to try and correct them. Should your joinery receive mortar or paint splashes see that these are removed before cure and follow the instructions contained in this brochure.

Typical sticker used to warn other trades of the need to protect and mask off powder coated joinery (applies to anodised joinery also)

"IMPORTANT ALL TRADES"
This valuable aluminium joinery will suffer permanent damage from: plaster, mortar and paint splashes - Protect if splashes occur - Immediately wash down joinery with water or meths - Do not allow splashes to harden! - Do not use solvents! - Do not remove this label until final clean completed.

This photograph displays damage that has occurred on site, post installation. The photo of the masked joinery displays clear signs of damage that could have occurred were it not masked. Please ensure that your joinery is protected right through the entire construction process.



Powder Coating Maintenance

External - Maintenance Program:

To extend the life of external powder coated articles and to comply with warranty requirements for powder coated aluminium joinery, a simple, regular maintenance program must be implemented.

The effects of ultra violet light, atmospheric pollution, dirt, grime and airborne salt deposits will all accumulate over time and must be removed or surface staining and weathering will occur, leading to an unsightly appearance.

For external coatings, cleaning should take place every six months. In areas where pollutants are more prevalent, such as beachfront houses and industrial or geothermal areas, then a cleaning program should be carried out on a more frequent basis ie. every one to three months.

Cleaning your powder coating:

1. Carefully remove any loose surface deposits with a wet sponge.
2. Use a soft brush (non abrasive) and a mild household detergent (do not use solvents) in warm water, remove dust, salt and other deposits.
3. Rinse off with clean fresh water.



Restoring weathered or scratched surfaces:

Repair of Scuffed or Scratched surfaces
Dulux Spray Cans are available in all colour card colours.

Repair of Small Scratches or Chips.
Dulux Dabsticks are ideally suited for the repair of small scratches.
Dabsticks may not be available in all colour card colours.

Repair of Weathered areas .
Dulux Gloss Up is a light to medium cutting cream ideally suited for gloss restoration and has been specifically designed for this purpose.
Gloss Up contains no waxes or silicone and is a one step system.



Contact Dulux Powder Coatings , ph 0064 9 441 8244

All pages © Copyright Juralco Aluminium Building Products Ltd, 2022



JURALCO

www.juralco.co.nz ph (09) 478 8018

Juralco Bannette Awning System

Issue 3-24 v1
Page 18