



# 951 Series Deadlock

Locks and latches

The Legge 951 Series short backset deadlocks are designed for metal door applications, with two backsets available. The 951 Series locks are designed for commercial applications such as shopping centres, hospitals and schools.



## Features

- Lock case constructed of riveted steel plates
- Forends available for both aluminium and timber doors
- Bolt constructed of laminated steel
- 23mm and 30mm backsets
- 28mm bolt throw
- Supplied with slam shut strike plate

Warranties	
Mechanical	10 years
Finish	<a href="http://allegion.co.nz/finisheswarranty">allegion.co.nz/finisheswarranty</a>

# Specification guide

Function	Sub-function	Finish	Backset
951 Deadlock	Cylinder and case fixed turn snib Double cylinder Single cylinder Case fixed turn snib - less cylinder	Aluminium Satin Stainless Steel	23mm 30mm

951 Deadlock Aluminium with 23mm backset (all functions and ALUM faceplate included)..... SCL10356  
 951 Deadlock Aluminium with 30mm backset (all functions and SSS faceplate included)..... SCL10364

## Finishes



**ALUM**

Aluminium



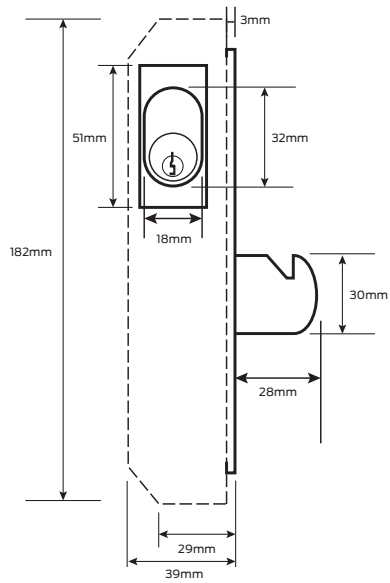
**SSS**

Satin Stainless  
Steel

## Sliding and hinged door available functions

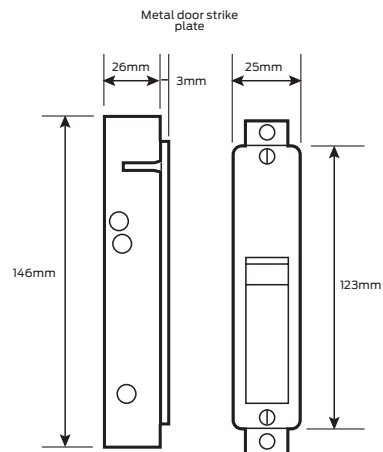
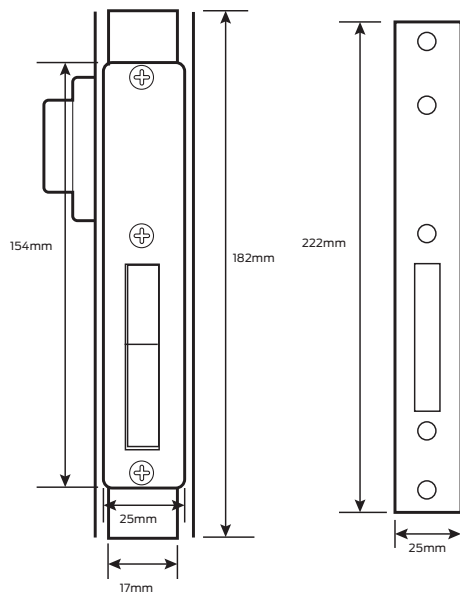
Model	Outside	Inside
Cylinder and case fixed turn snib		
Double cylinder		
Single cylinder		
Case fixed turn snib - less cylinder		

# Legge 951 Series 23mm backset deadlock

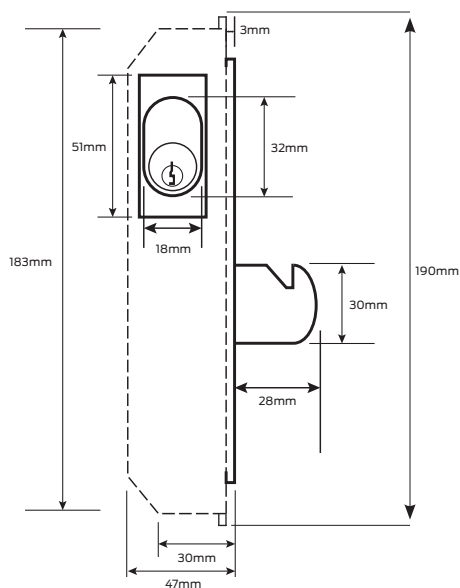


## Specifications

<b>Door type</b>	Timber or metal
<b>Door thickness</b>	32mm to 55mm
<b>Lock case/chassis</b>	Plated steel riveted
<b>Outer forend</b>	Aluminium
<b>Bolt</b>	Laminated steel 28mm throw
<b>Strike plate</b>	Plated steel box with aluminium face plate
<b>Backsets</b>	23mm
<b>Key cylinder</b>	Oval - C4 6 pin keyway standard



# Legge 951 Series 30mm backset deadlock



## Specifications

<b>Door type</b>	Timber or metal
<b>Door thickness</b>	32mm to 55mm
<b>Lock case/chassis</b>	Plated steel riveted
<b>Outer forend</b>	Stainless steel
<b>Bolt</b>	Laminated steel 28mm throw
<b>Strike plate</b>	Plated steel box with stainless steel face plate
<b>Backsets</b>	30mm
<b>Key cylinder</b>	Oval - C4 6 pin keyway standard

