



7000/9000 and Medio Series Installation Instructions

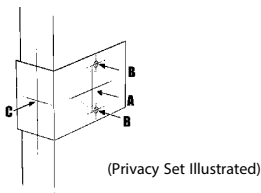


6000/8000 and Series Installation Instructions

WARNING: Accurate door preparation is essential for the functioning of this lock.
Please follow the enclosed template and instructions carefully.

NOTE: Wood screw fixing is optional. Through bolt fixing is recommended.

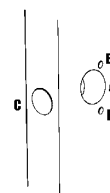
1 DOOR PREPARATION



Fold template at correct height (suggested height for centreline is 970mm from floor).

- A Mark centre for either passage or privacy set.
- B Mark holes for through bolt fixing where required.
- C Mark centre of door thickness on horizontal centreline.

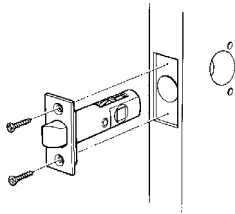
2 DRILL HOLES



When drilling through the door, drill from both sides to avoid damaging the door.

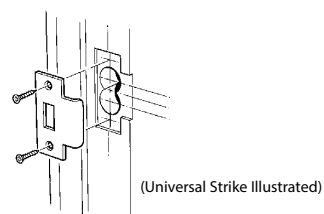
- A Drill a 35mm hole through the door for privacy sets and a 20mm hole for passage sets.
- B Drill (2) 5mm holes through the door where through bolt fixing is required.
- C Drill a 24mm hole x 85mm deep into the front edge of the door.

3 INSTALL LATCH



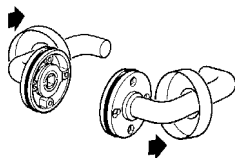
- A Insert latch into hole. Trace around face plate.
- B Chisel out wood until faceplate fits flush with door edge.
- C Fasten latch to door so bevelled edge of latchbolt faces jamb.

4 PREPARE JAMB & INSTALL STRIKE

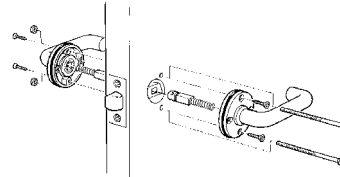


- A Mark vertical line and height centreline on jamb, exactly opposite centre of latch.
- B Drill (2) 20mm holes x 15mm deep, 8mm above and below height centreline.
- C Use strike plate as pattern for cutout. Chisel out and install strike.

5 REMOVE ROSE CAPS

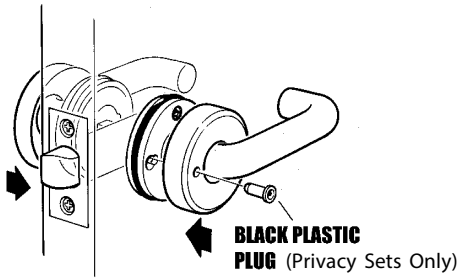


6 INSTALL FURNITURE



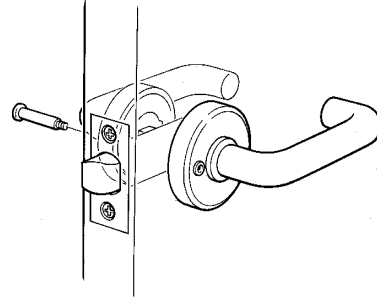
- A Insert spindles into furniture, as illustrated.
- B Attach furniture to door by either through bolt fixing or wood screws. (When through bolt fixing method is being used, cut bolts to appropriate length.)

7 REPLACE ROSE CAPS



- A Replace rose caps
- B Insert black plastic plug into hole, on outside rose.

8 ATTACH PRIVACY BUTTON

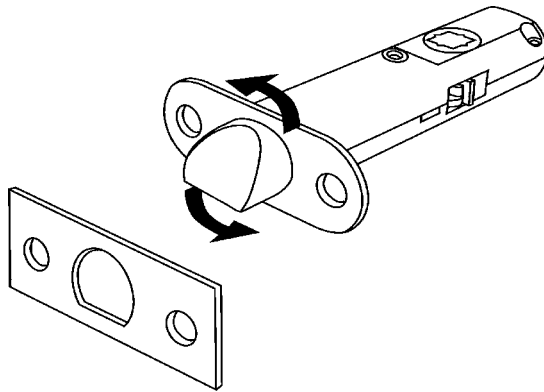


- A Screw in privacy button for privacy sets.

PRIVACY LATCHBOLT HANDING INSTRUCTIONS

All Privacy Latchbolts are supplied handed to accommodate inward opening doors. If you have an outward opening door, use the following instructions to hand the latchbolt correctly.

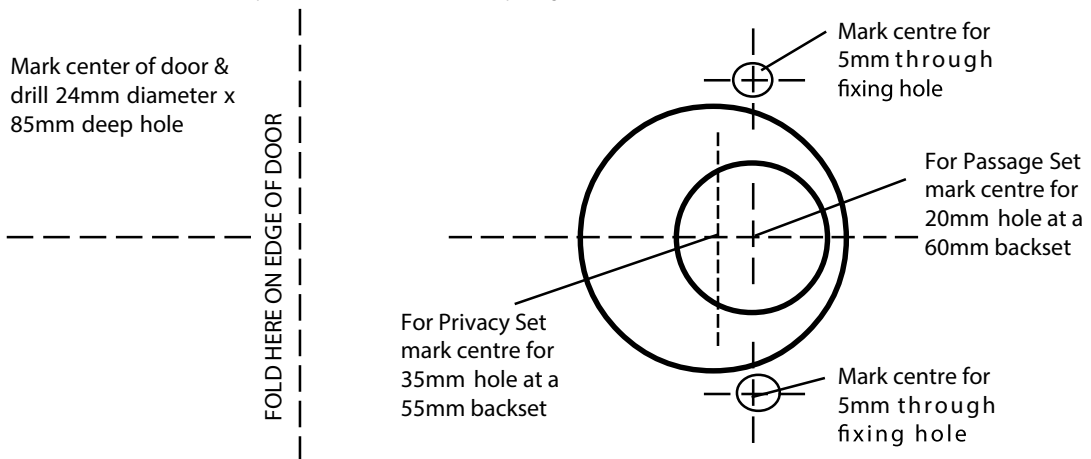
1 TO HAND THE LATCH



- A Remove Forend and rotate the latch head. Replace Forend to set in place.

PASSAGE/PRIVACY SET INSTALLATION GUIDE

Important - Double check dimensions if printing from an electronic version



Reference: ZPIC



Allegion (New Zealand) Limited
 Phone 0800 477 869
 Website www.allegion.co.nz

Allegion (Australia) Pty Ltd
 Phone 1800 098 094
 Website www.allegion.com.au