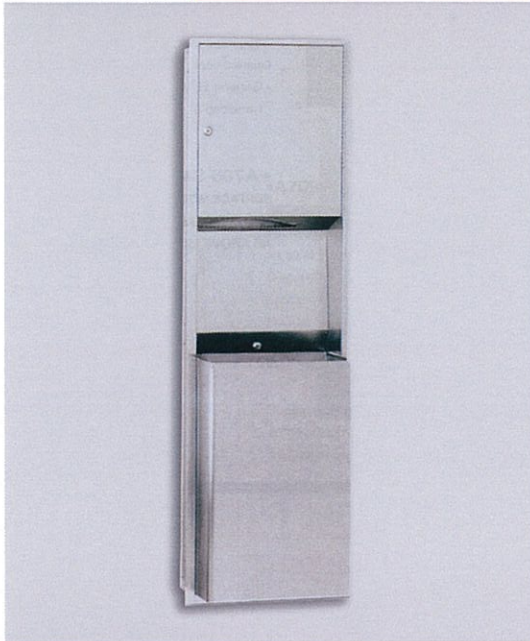


HL705

**RECESSED PAPER TOWEL DISPENSER & WASTE RECEPTACLE**

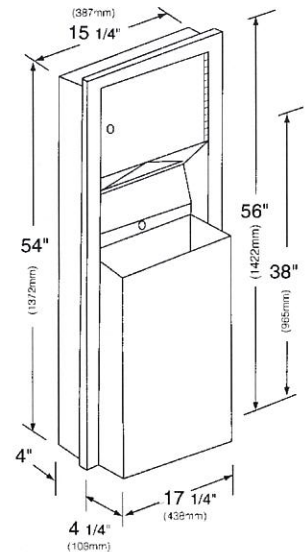


Dispenses 600 C-fold or 800 Multifold paper towels.  
Removable 13 gal. (49L) Stainless steel waste receptacle is locked into cabinet.

**WALL OPENING**

15-3/4" x 54-3/4" x 4-3/8"  
(400mm-W X 1390mm-H X 110mm-D)

**HL705-SM** (not shown)  
**SURFACE MOUNTED PAPER TOWEL DISPENSER AND WASTE RECEPTACLE**  
AS ABOVE, BUT SURFACE MOUNTED



HL710

**TOWEL DISPENSER & WASTE RECEPTACLE**



Dispenses multi-fold or interleaved towels.  
Fabricated from type 304 stainless steel in architectural satin finish.  
Waste receptacle has removable stainless steel insert.

**OVERALL SIZE**

360mm-W X 717mm-H X 110mm-D

**WALL OPENING**

325mm-W X 680mm-H X 95mm-D

**HL710-SM** (Not Shown)  
**SURFACE MOUNTED PAPER TOWEL DISPENSER AND WASTE RECEPTACLE**  
AS ABOVE, BUT SURFACE MOUNTED

