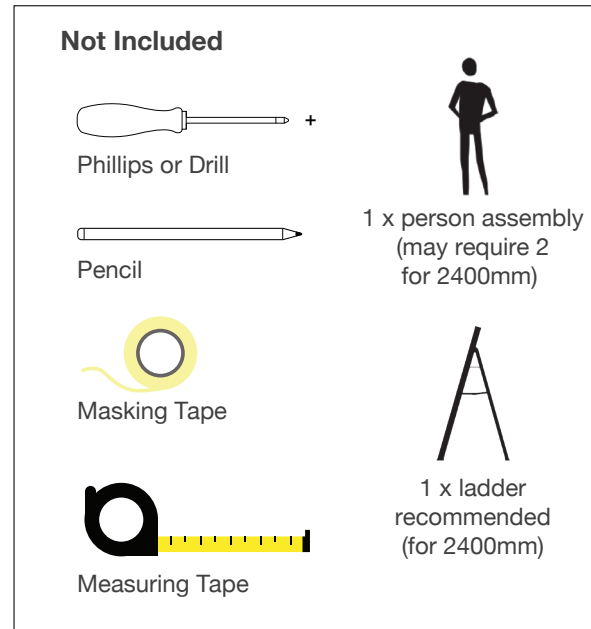
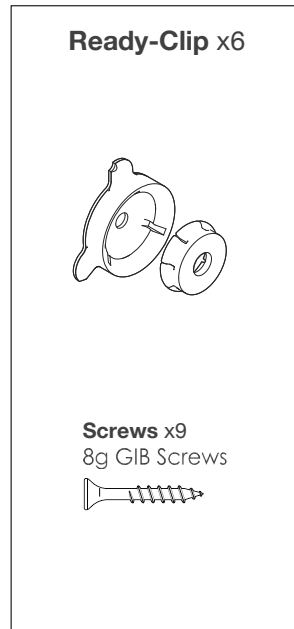
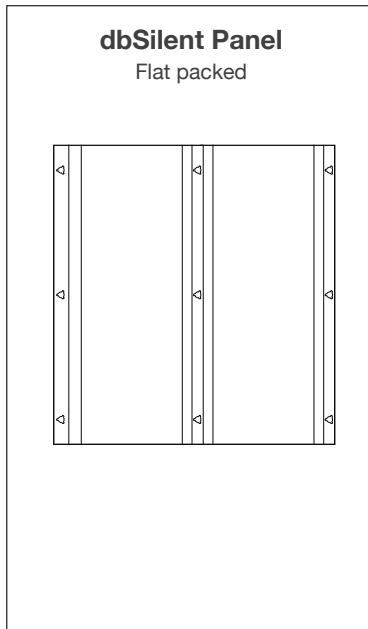


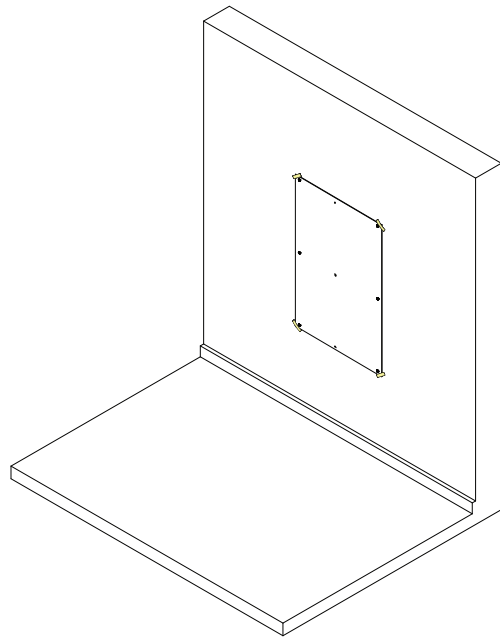
# dbSilent Panel™ Installation Guide

## PACK INCLUDES

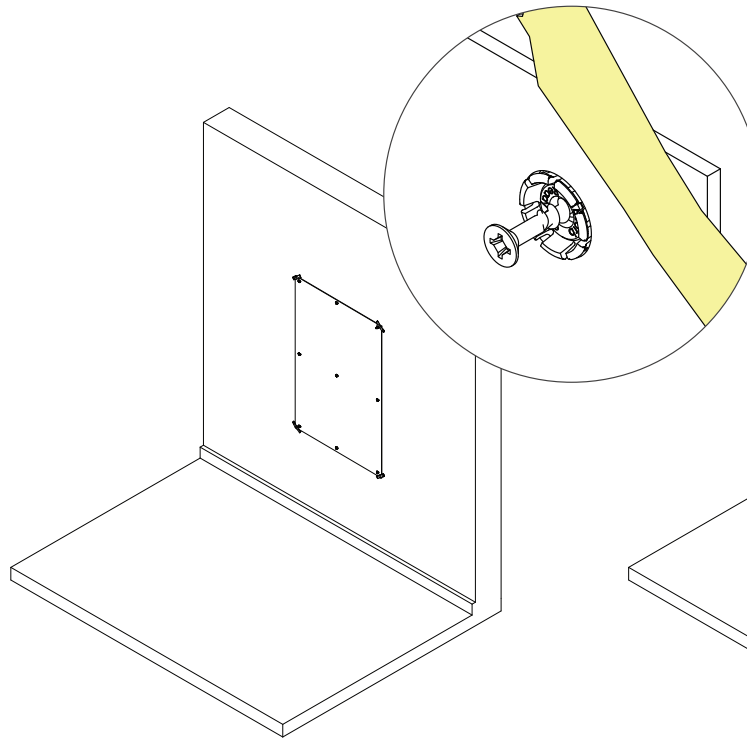


Scan here for our  
installation video  
on Instagram

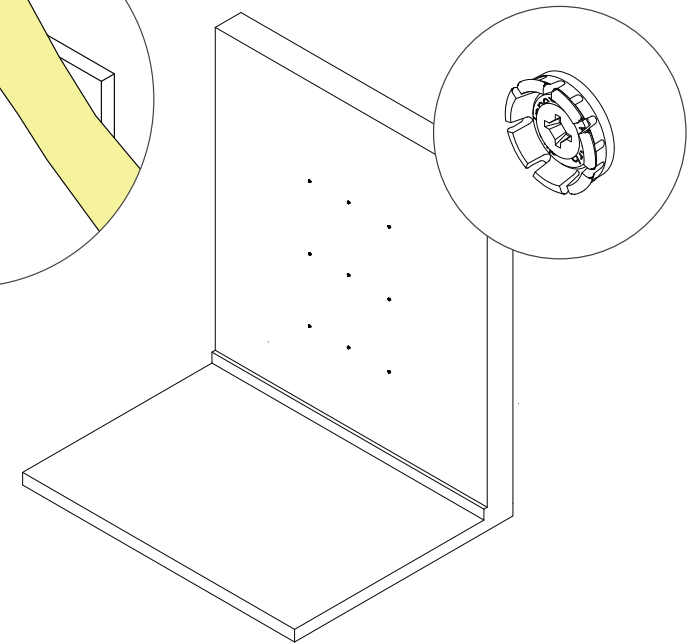
# dbSilent Panel™ Installation Guide



**1** Attach stencil to wall using tape or staples etc.



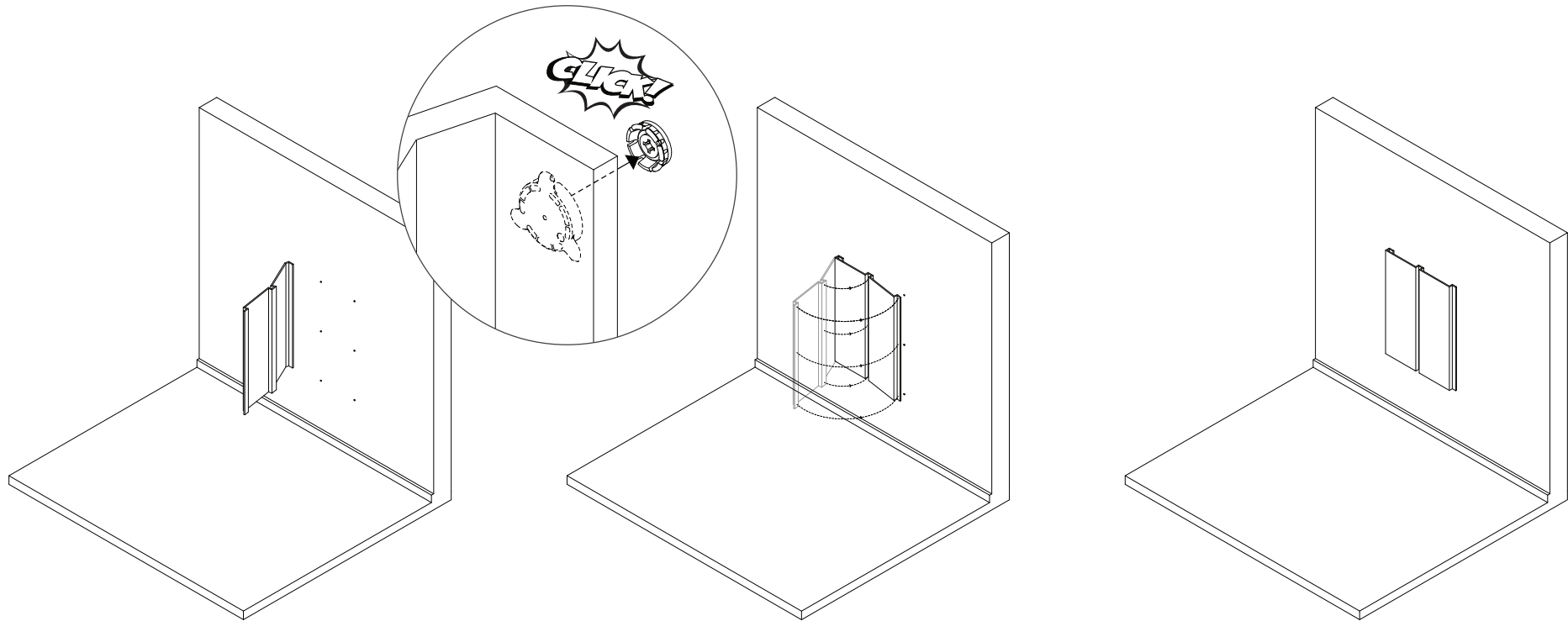
**2** With stencil taped to the wall, screw a male Ready clip into each hole.



**3** Remove stencil. Repeat step 1-3 for the number of modules you are installing, moving from left to right, repeating at the stencil's edge.



# dbSilent Panel™ Installation Guide



- 4** Align dbSilent Panel with the first row of clips (may require 2 people).

Starting at the top, clip the first ready-clips together and work your way down.

- 5** Repeat same process as step 4 on the second and third row using a firm hand on the front of the panel to clip the ready-clips in place.

- 6** Finished double module.

Repeat process for every separate module, making sure the next panel sits flush with the previous.

