



The International Private Dining Room - Auckland

## PRODUCT OVERVIEW

The dbFin™ Range of high-performance acoustic baffles are designed to effectively control reverberated noise in busy and open spaces. Choose from our range of baffle designs or work with us to create your own unique look.

dbFin™ coupled with our new Fin-lock™ mounting bracket has been engineered for easy and secure installation, without aluminium extrusion, while still allowing for re-positioning.

dbFin™ is available in a range of colour, thickness and panel finish. We work alongside you to tailor solution fit for your space, your vision, and your budget.

## APPLICATIONS

Ceiling & Wall:  
Office Interiors, Showrooms, Hospitality,  
Education and Residential.

## BENEFITS

Precision installation  
Secure fixings  
Install to suspended ceiling systems or direct fix to ceiling or wall.  
Exceptional acoustic performance.

Easy installation and removal  
Less time, less mess on site.  
Glue-free

100% recyclable.  
Made from panel with up to 60% recycled content.  
Ideal for installing in occupied spaces or in rooms with limited ventilation.  
Low cost of make good at end of tenancy.  
Reduced noise and echo in building interiors

## CUSTOMISATIONS



V- Groove



Custom prints



Fin-Lock™ System



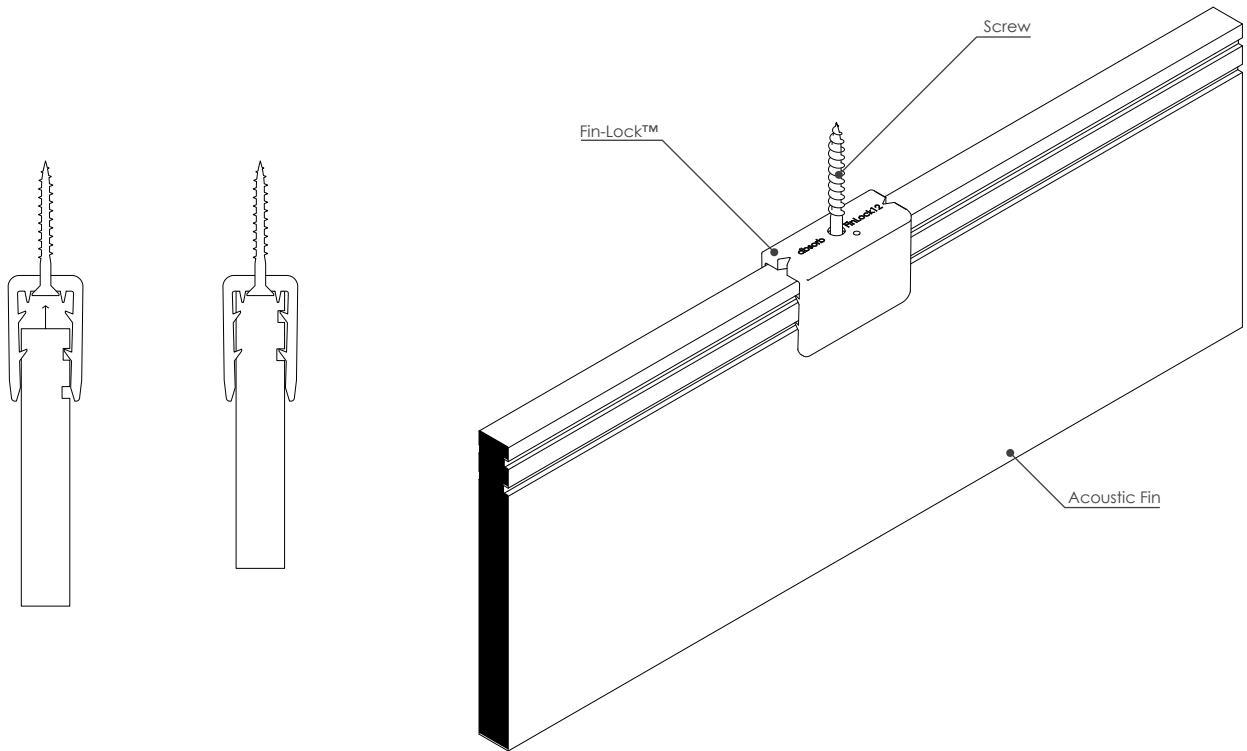
CNC cut

a solution for every space.



db sorb  
acoustic systems

# dbFin™ Acoustic Fin

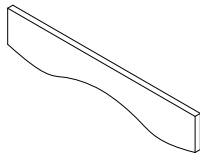


## Wavy Baffle

Standard Length:  
2400mm

Thickness:  
12mm, 24mm

Options for custom wave design



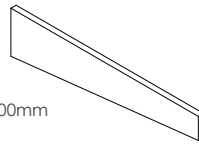
## Tapered Baffle

Standard Taper:  
350mm Taper down to 200mm

Standard Length:  
2400mm

Thickness:  
12mm, 24mm

Options for custom Taper from 50mm to 600mm



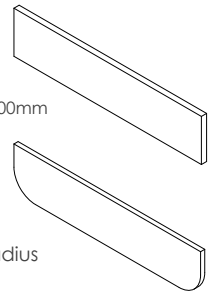
## Flat Baffle

Standard Height:  
150mm, 200mm, 300mm, 400mm

Standard Length:  
2400mm

Thickness:  
12mm, 24mm

Options for custom sizing / radius



NRC 0.85



Composition:  
100% PET (up to 60% recycled content)



Fire rating  
12mm: EN 13501-1:2018: B - s1, d0  
24mm: EN 13501-1:2018: B - s2, d0



No loose fibres



Antibacterial



Environmental:  
Global Recycled Standard (GRS) 4.0  
OEKO-TEX® Confidence In Textiles – STANDARD 100  
Tested for harmful substances Annex 6"  
Low VOC



### DBSORB Ltd

Acoustic Systems

[www.dbsorb.co.nz](http://www.dbsorb.co.nz)

Phone: (+64) 09 553 6775

Copyright © 2022 DBSORB Ltd

Email: [sales@dbsorb.co.nz](mailto:sales@dbsorb.co.nz)

All Rights Reserved

Address: 63S Hugo Johnston Drive, Penrose  
Auckland 1061

a solution for every space.