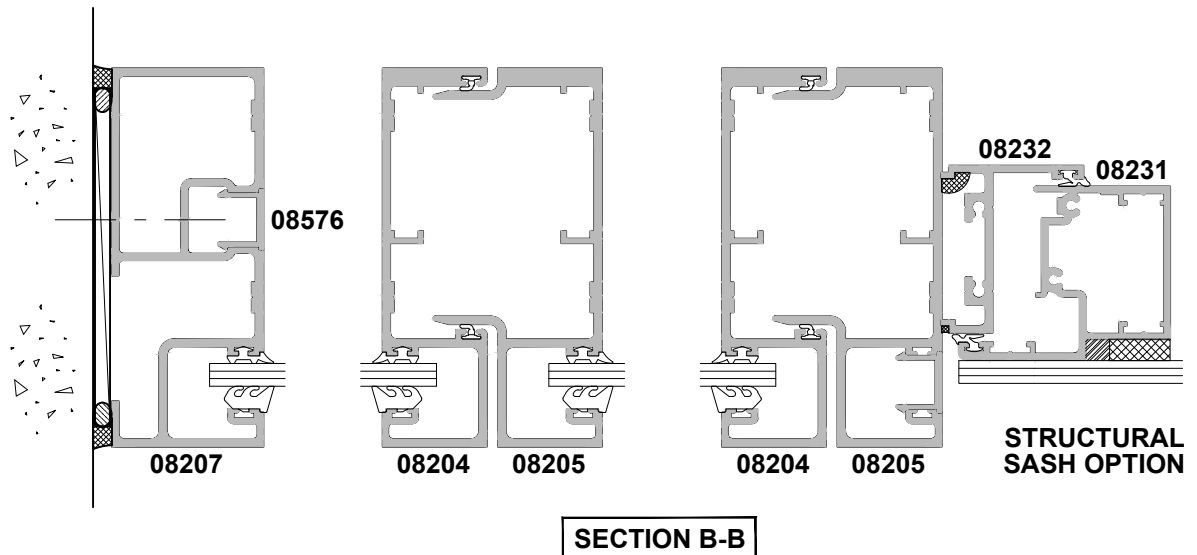
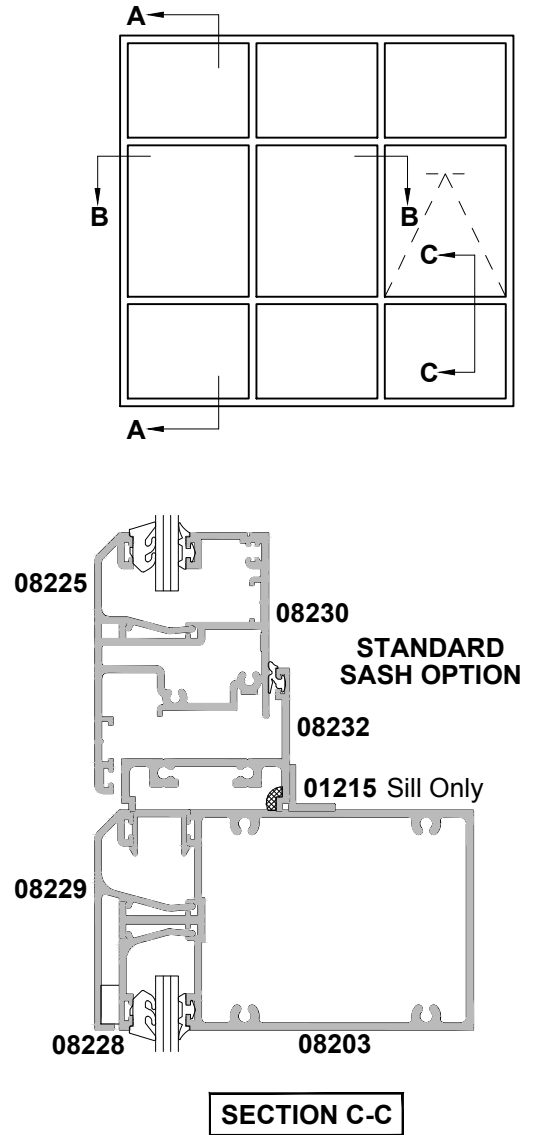
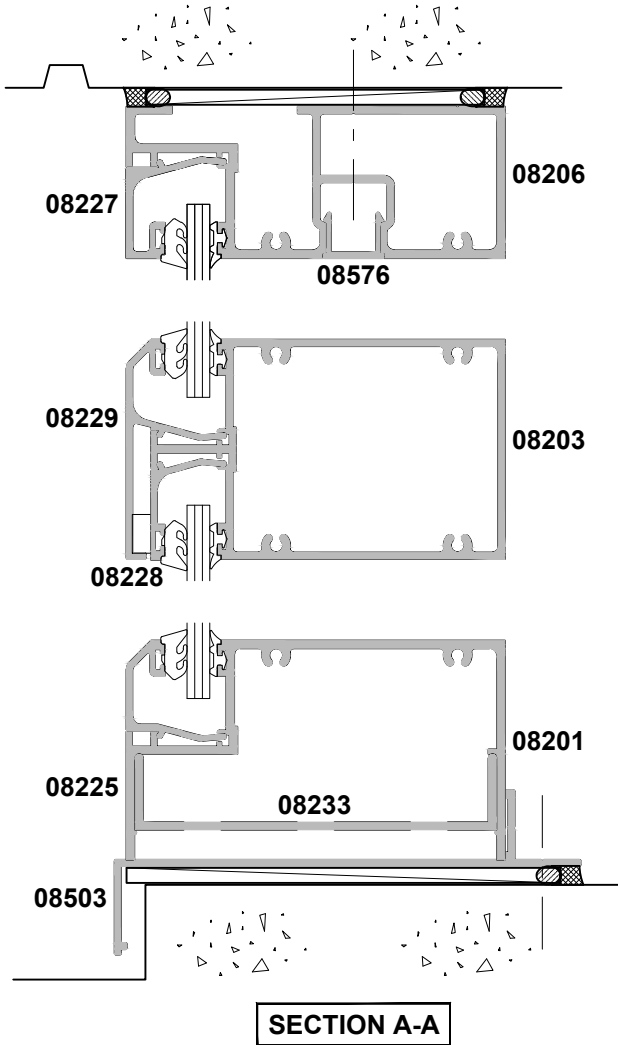


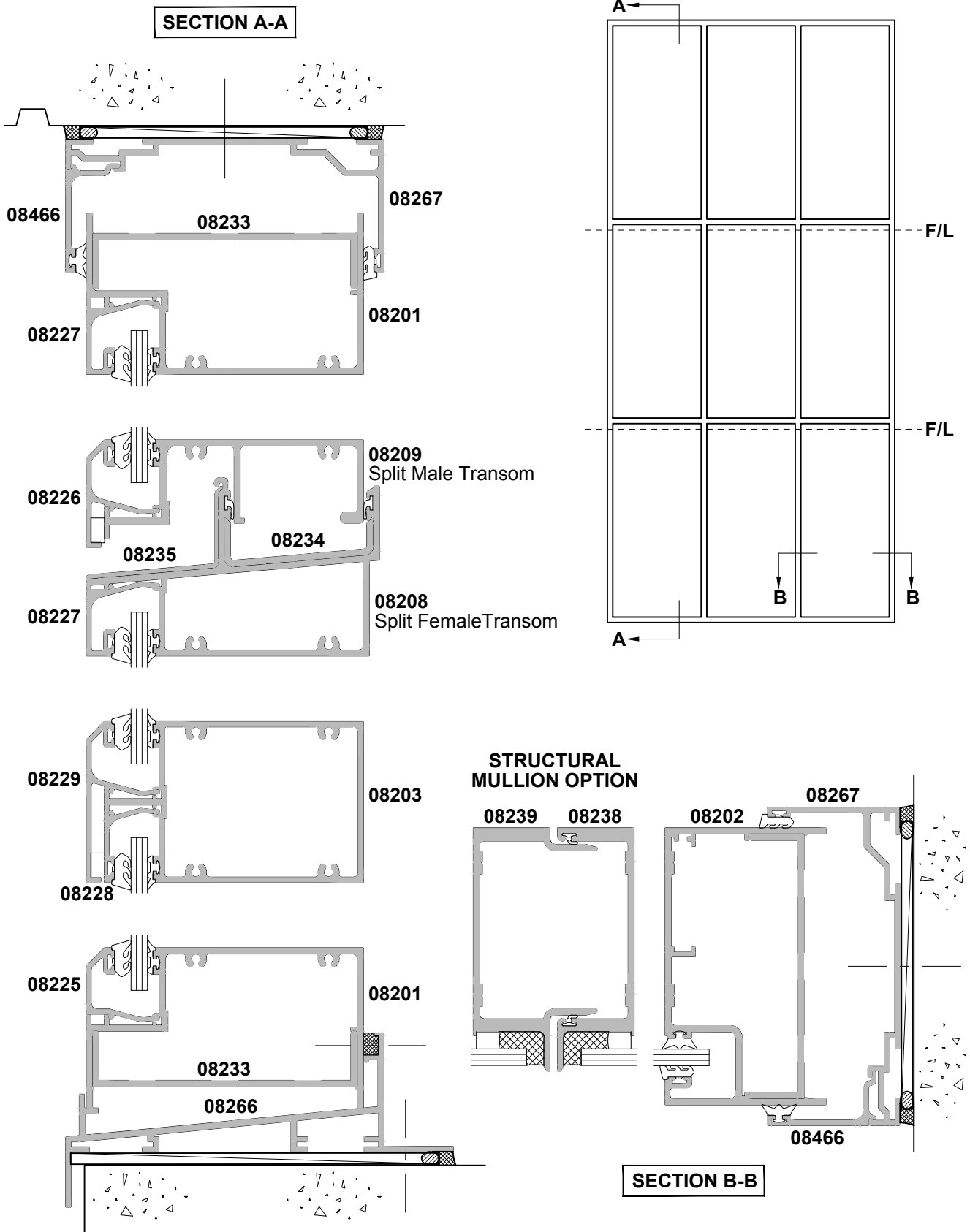
**100MM FLUSHGLAZE
SINGLE GLAZED, FIXED SYSTEM
CROSS SECTION**

Date 01.08.16 Scale 1:2



**100MM FLUSHGLAZE
SINGLE GLAZED, SEISMIC SYSTEM
STRUCTURALLY GLAZED MULLION
CROSS SECTION**

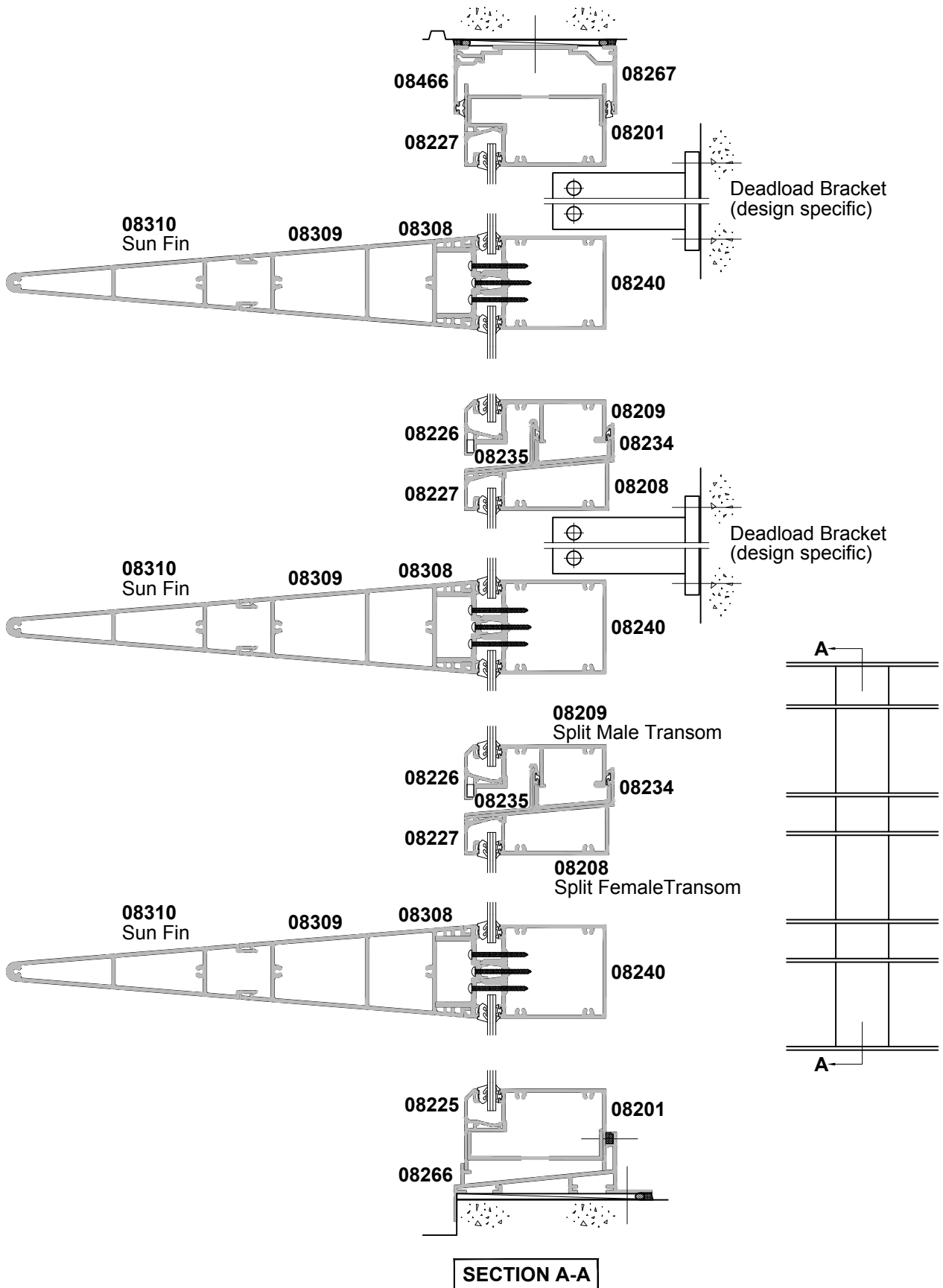
Date 01.08.16 Scale 1:2

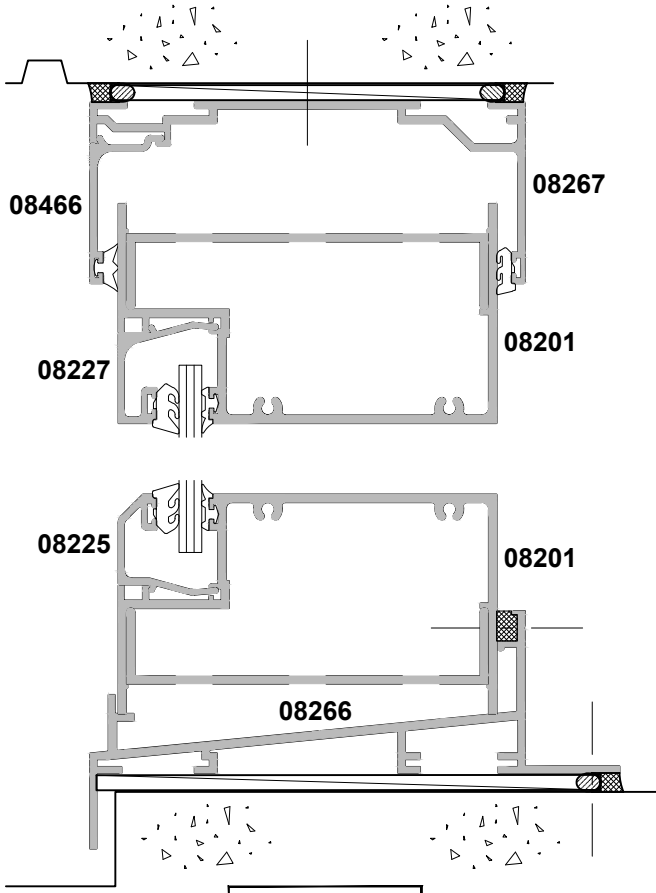


**100MM FLUSHGLAZE
SUN FINS, SINGLE GLAZED**

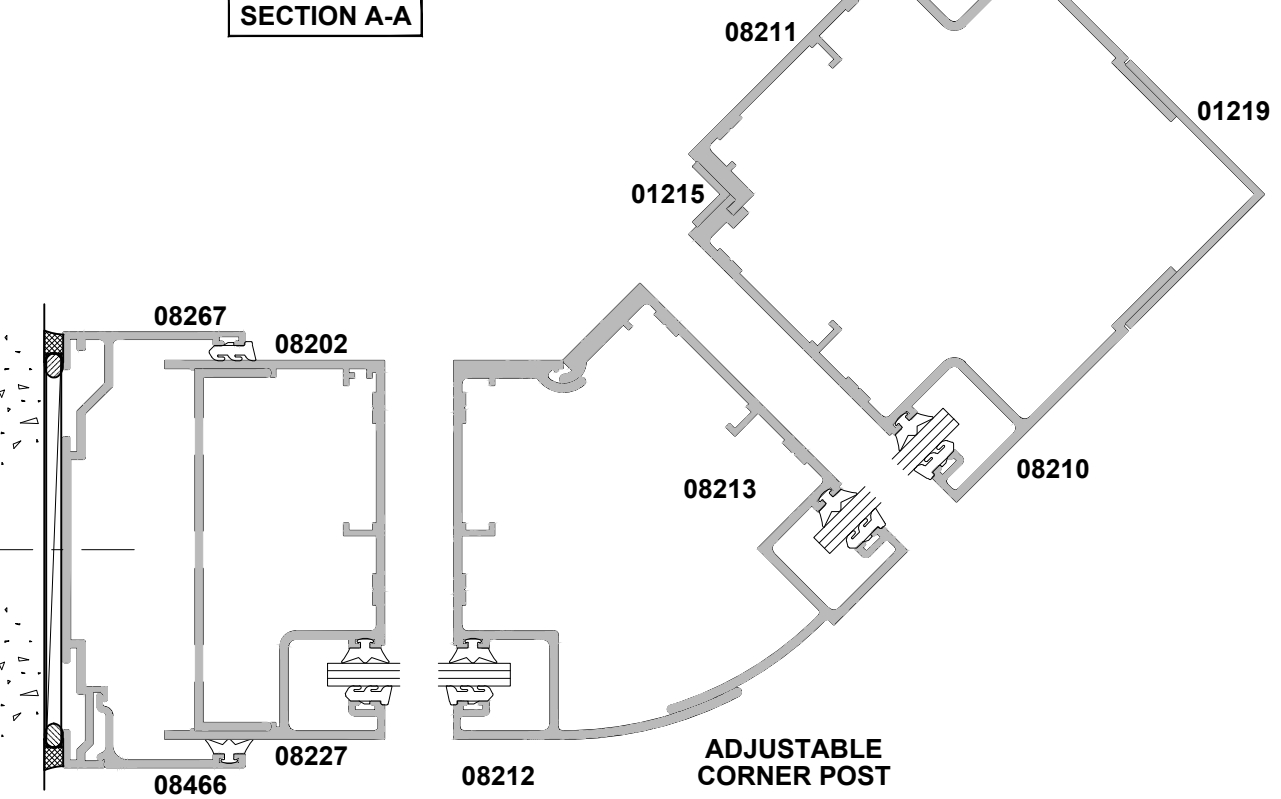
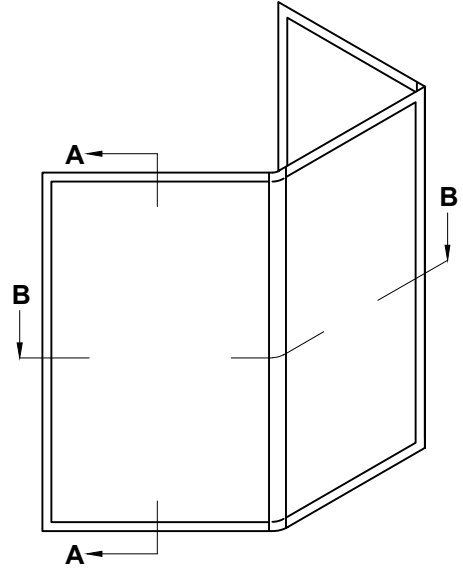
CROSS SECTION

Date 01.08.16 Scale 1:4





SECTION A-A



SECTION B-B

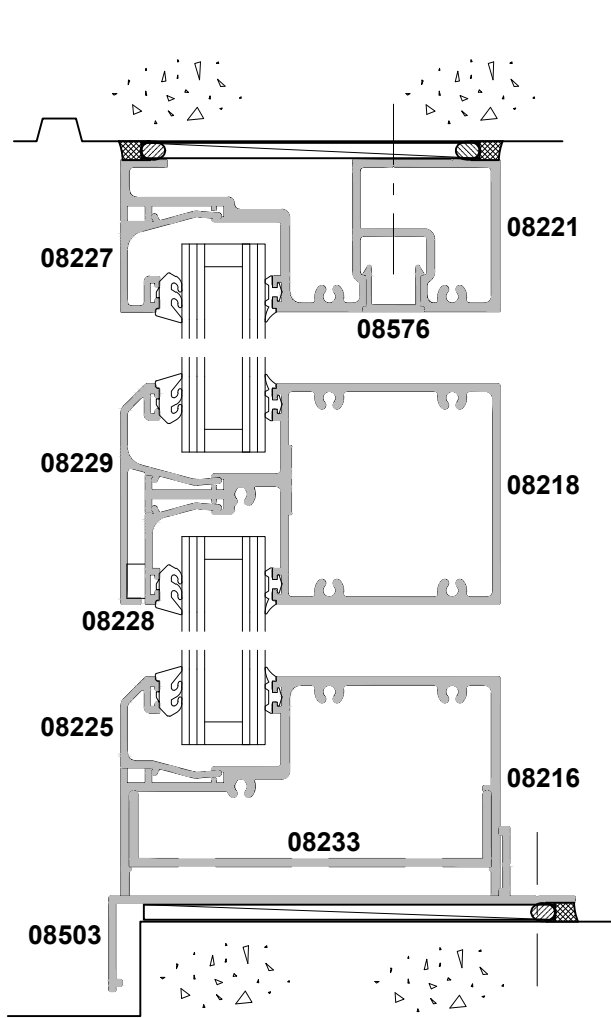
90° CORNER POST

ADJUSTABLE CORNER POST

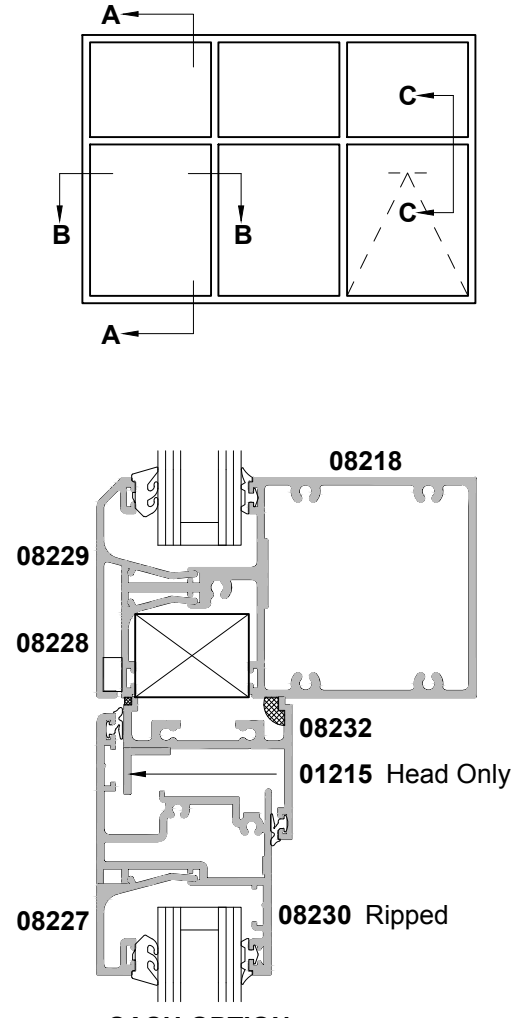
**100MM FLUSHGLAZE
DOUBLE GLAZED, FIXED SYSTEM**

CROSS SECTION

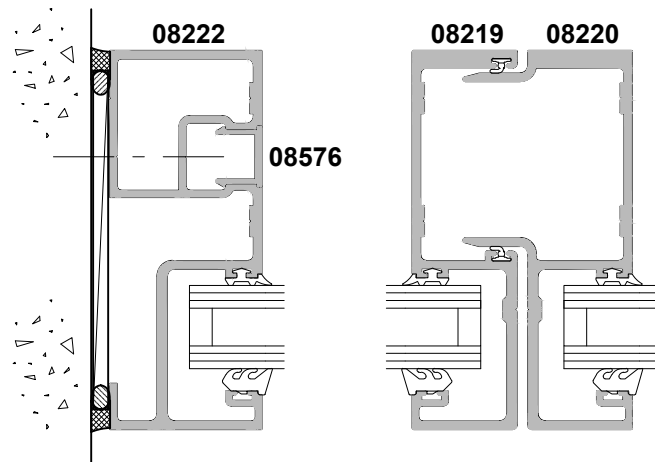
Date 01.18.16 Scale 1:2



SECTION A-A



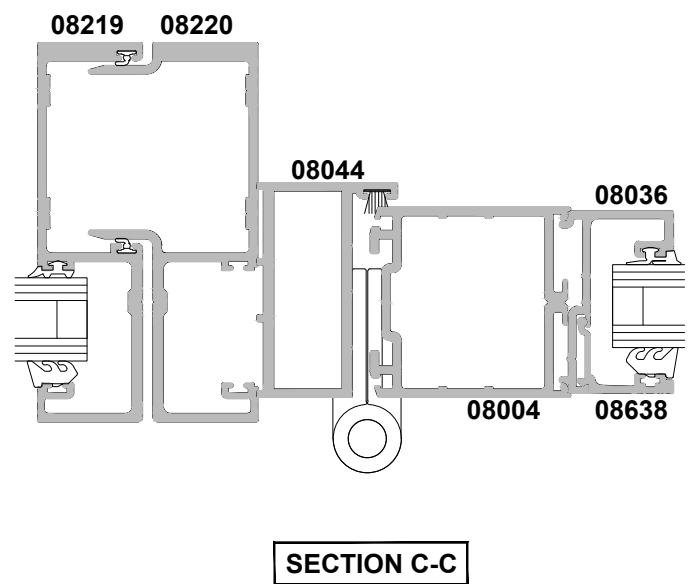
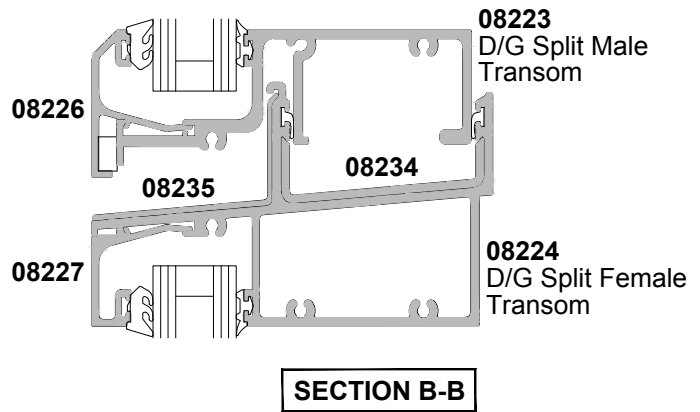
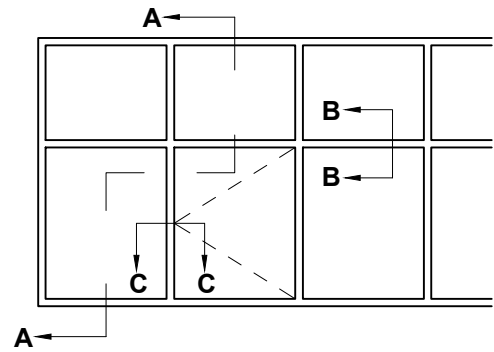
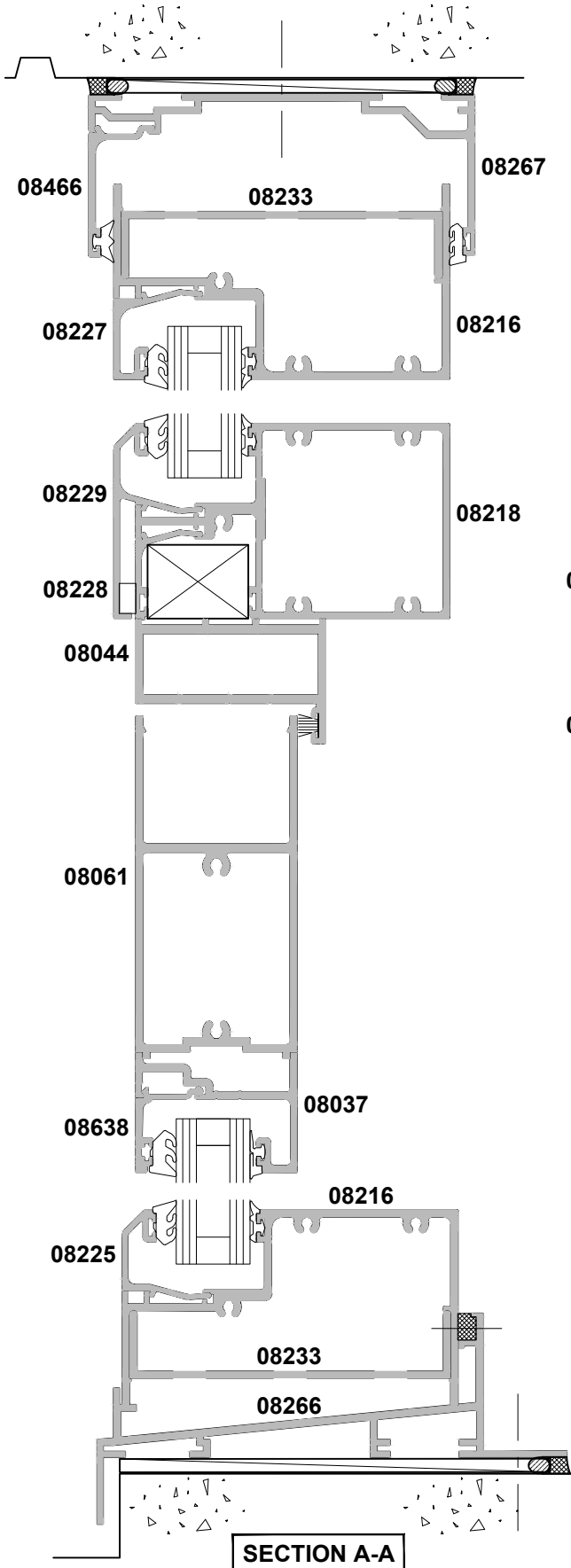
SECTION C-C

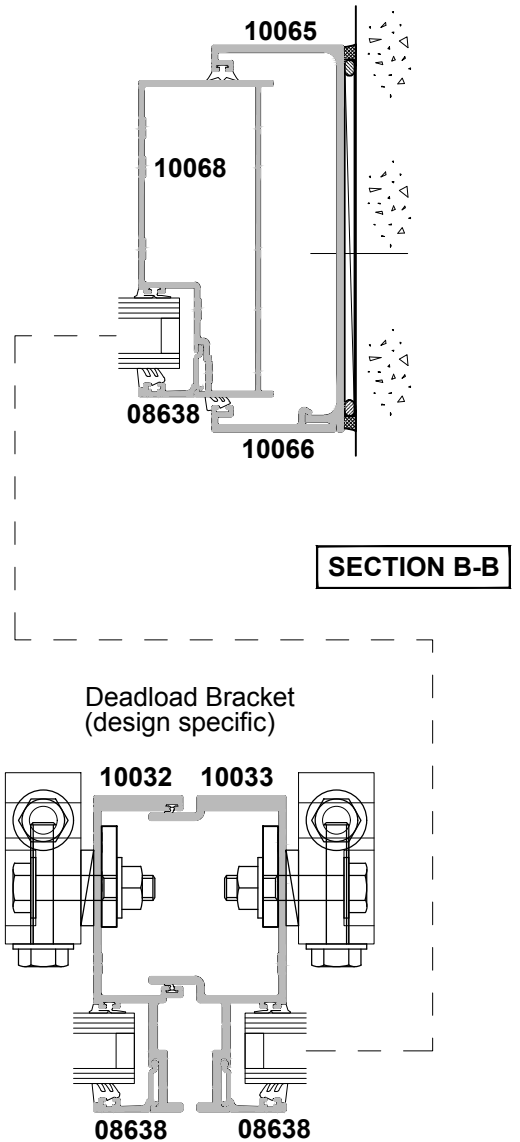
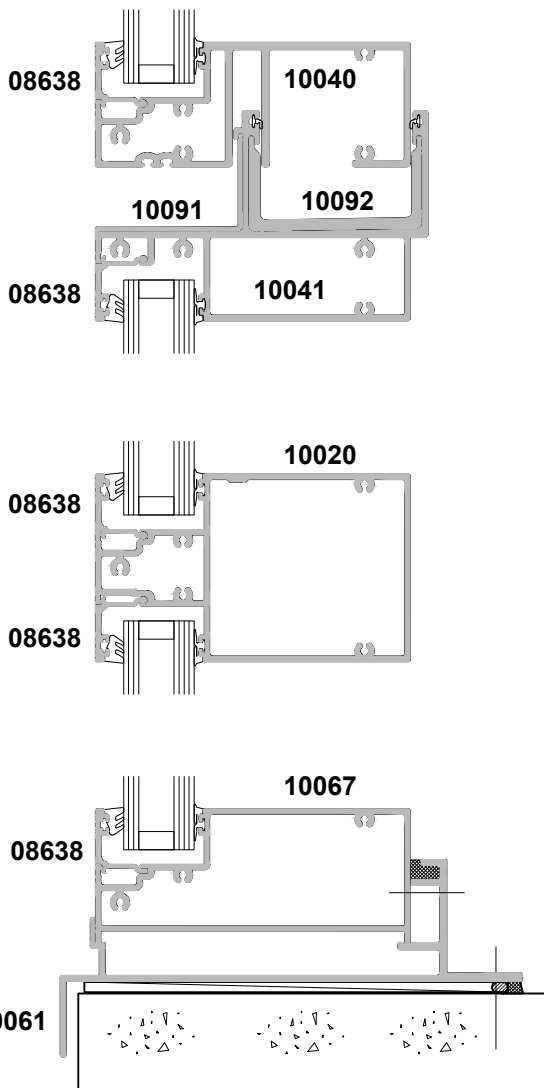
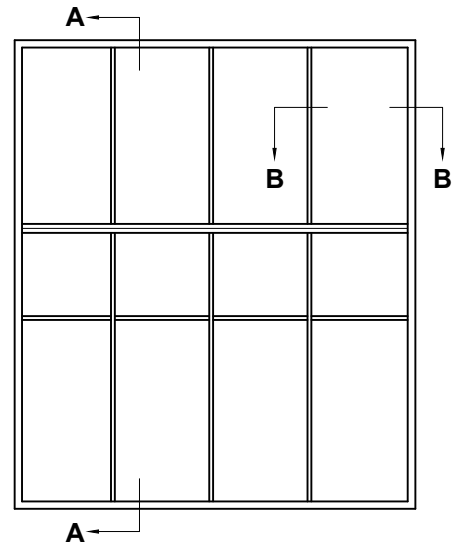
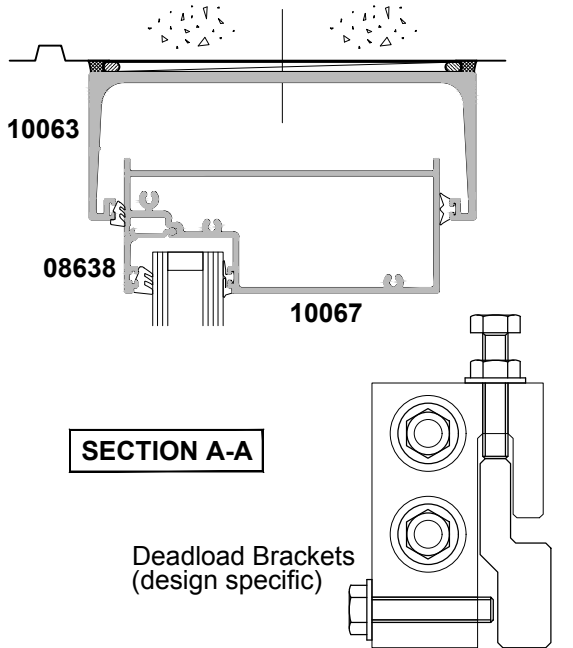


SECTION B-B

CROSS SECTION

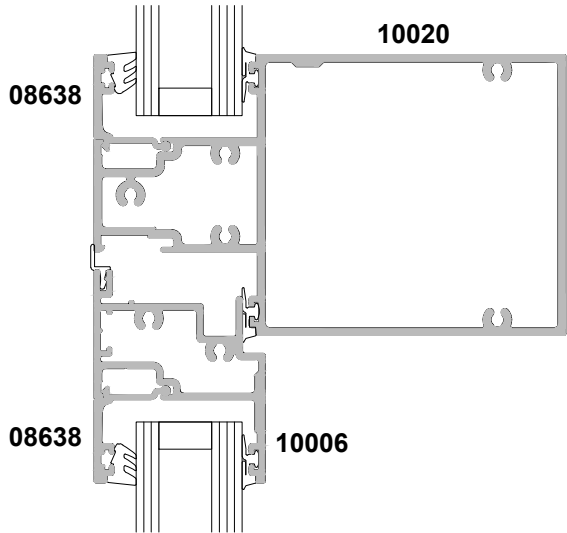
Date 01.18.16 Scale 1:2



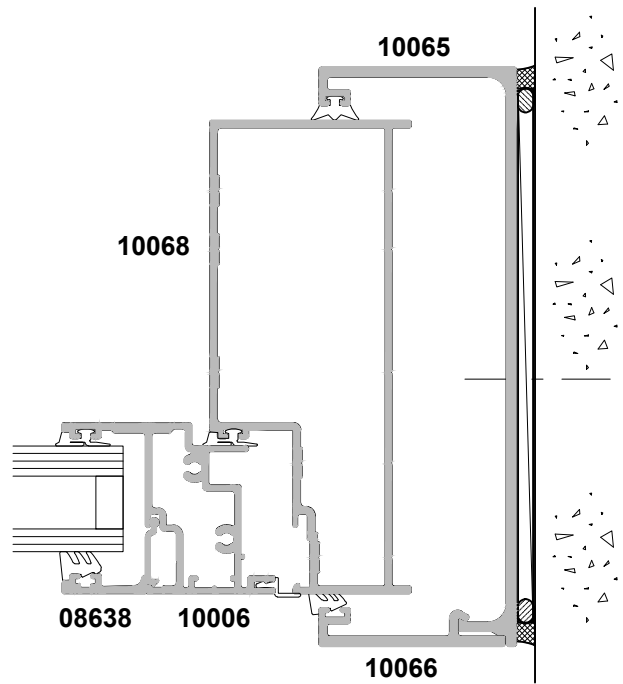
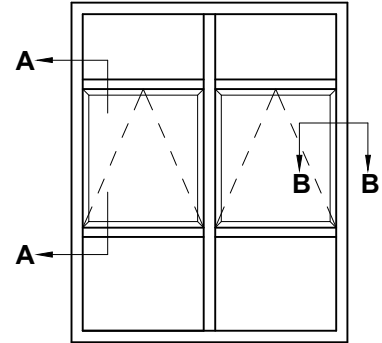
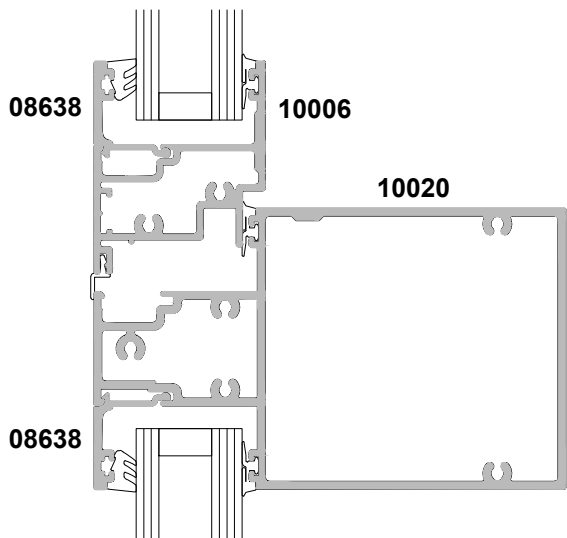


**125MM FLUSHGAZE SYSTEM
DOUBLE GLAZED, SASH
CROSS SECTION**

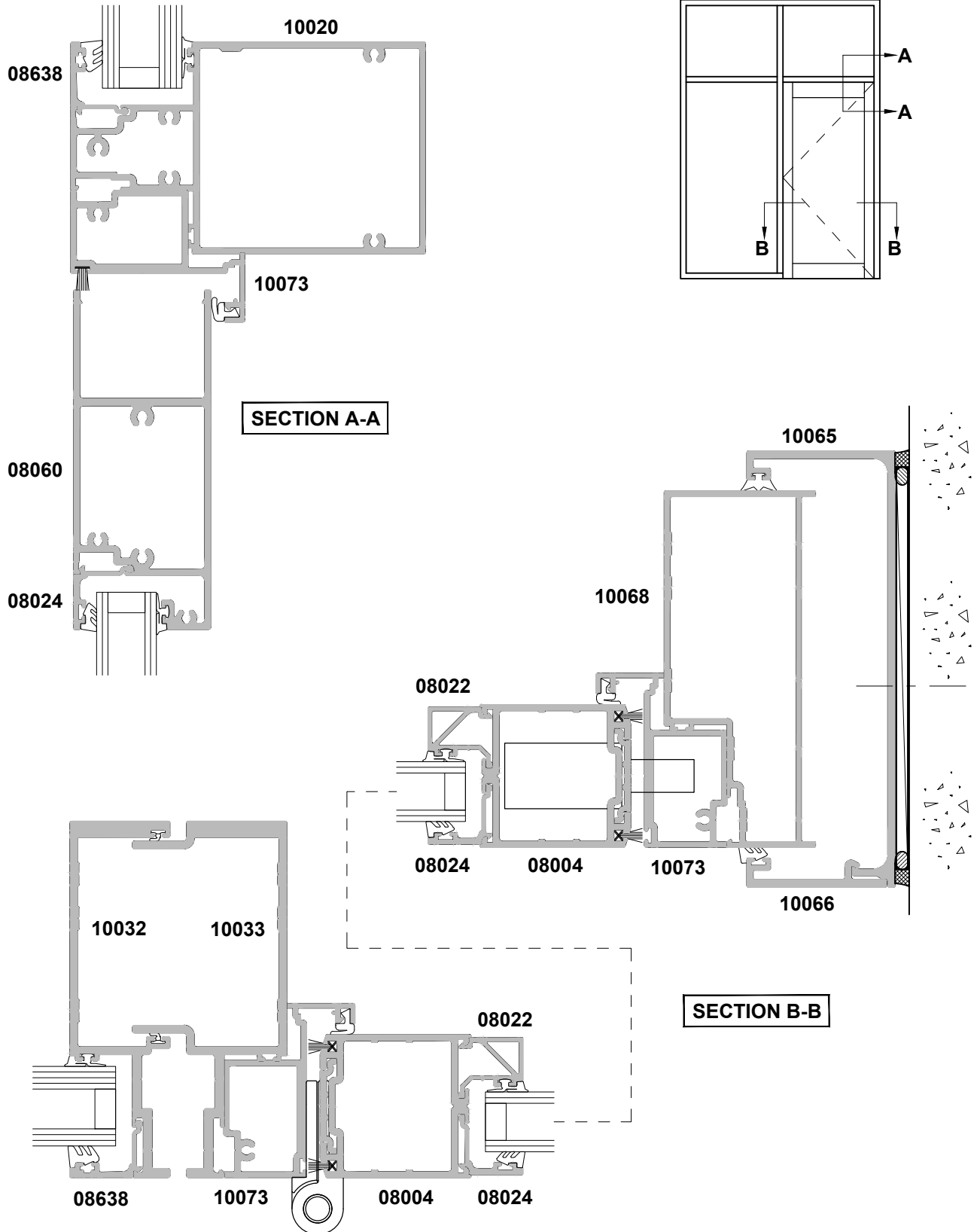
Date 01.08.16 Scale 1:2



SECTION A-A

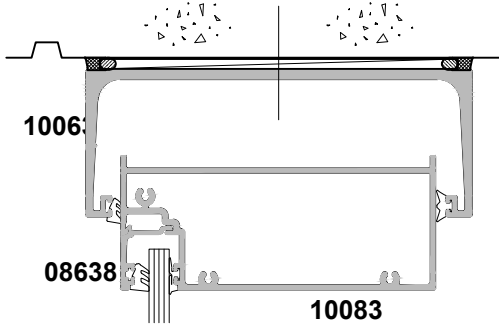


SECTION B-B



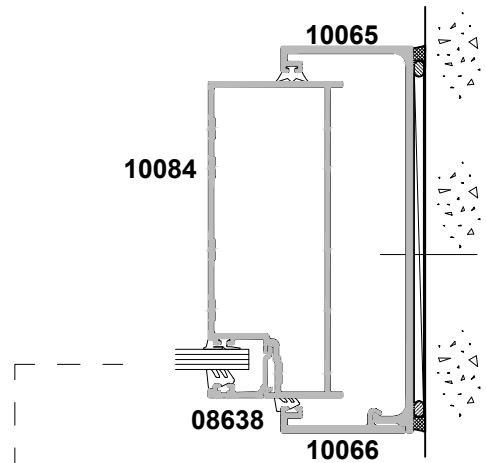
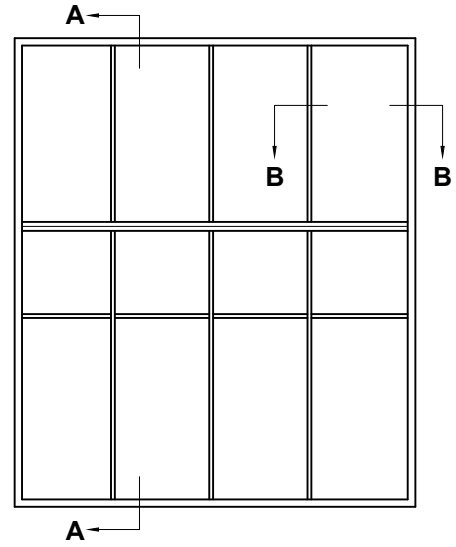
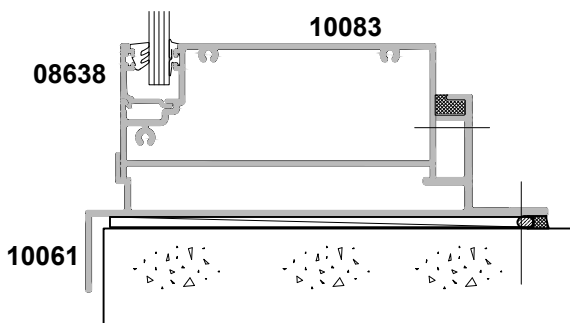
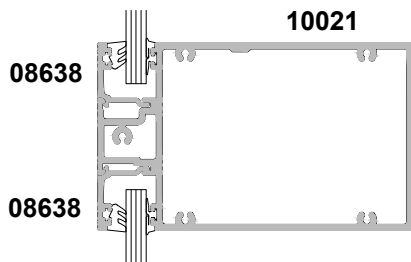
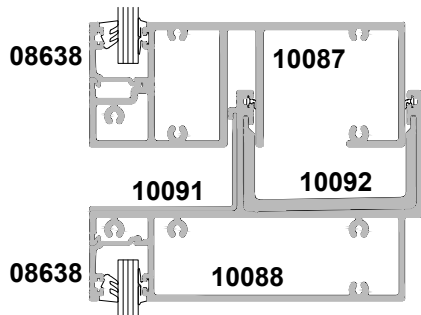
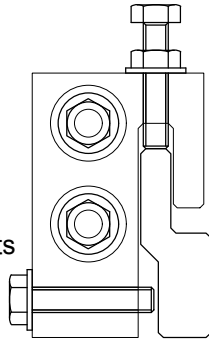
CROSS SECTION

Date 01.08.16 Scale 1:3



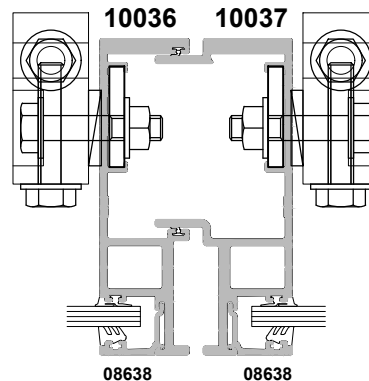
SECTION A-A

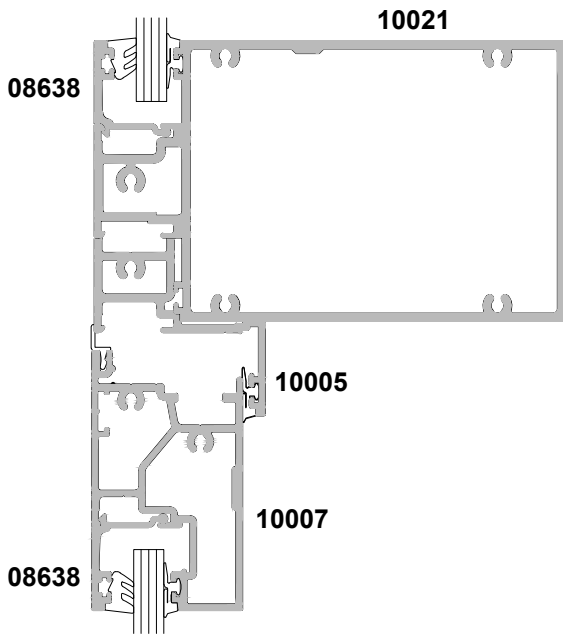
Deadload Brackets
(design specific)



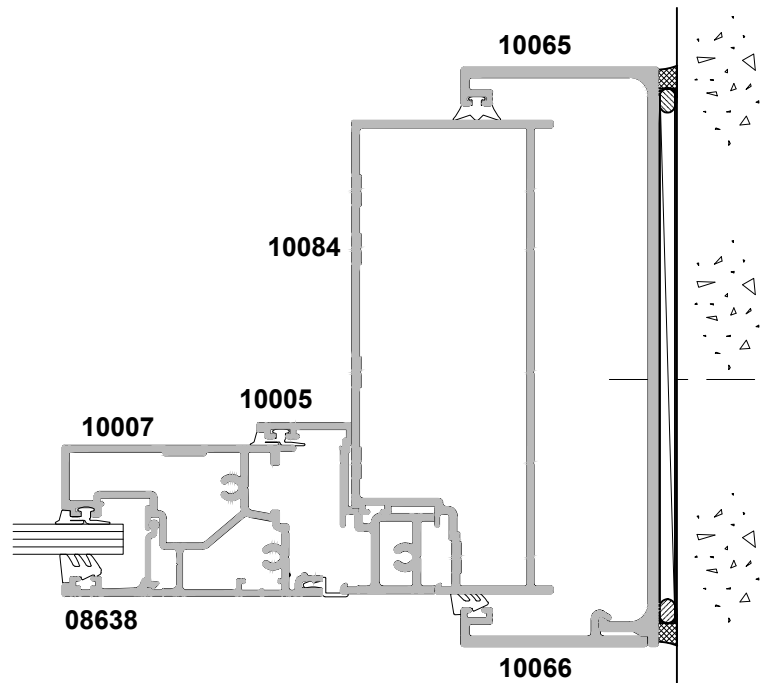
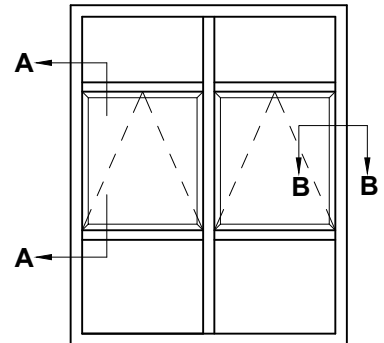
SECTION B-B

Deadload Bracket
(design specific)

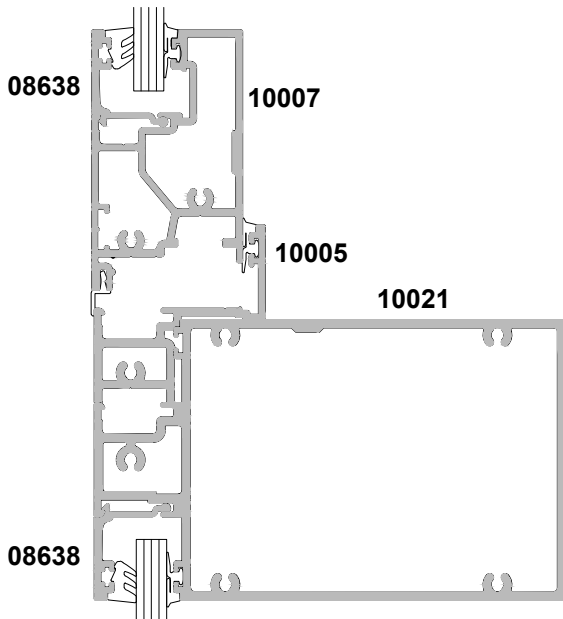




SECTION A-A

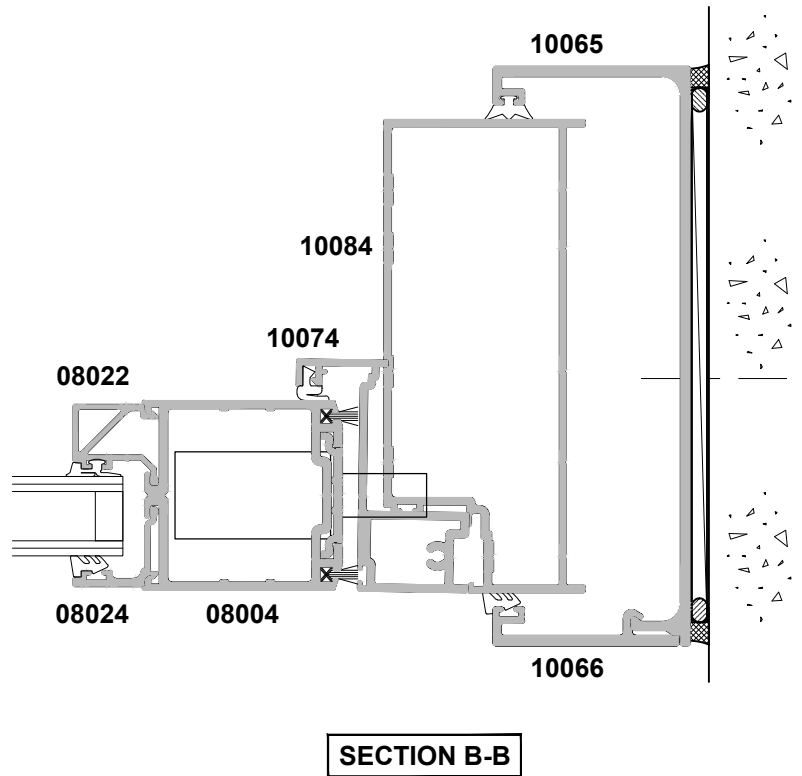
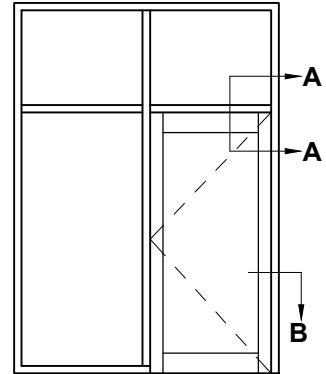
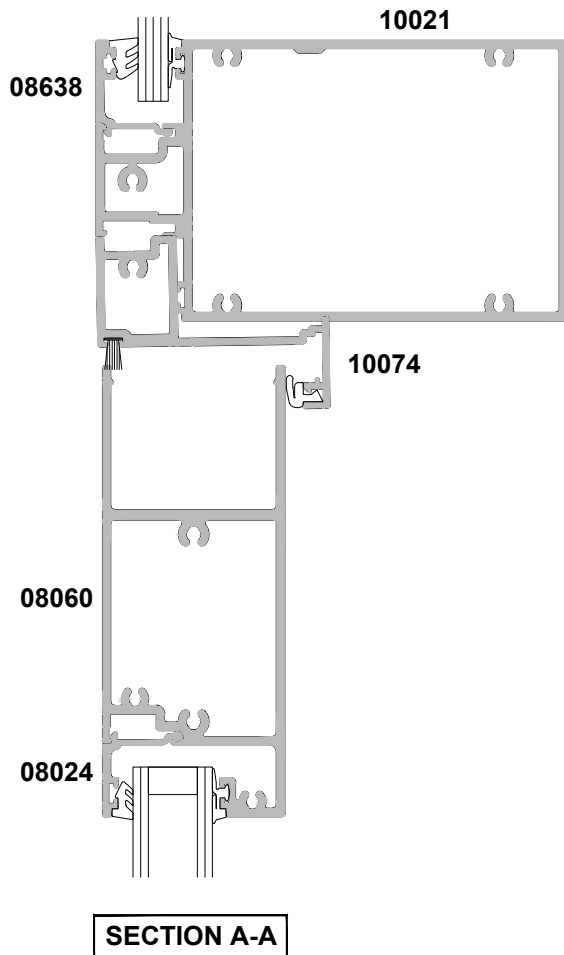


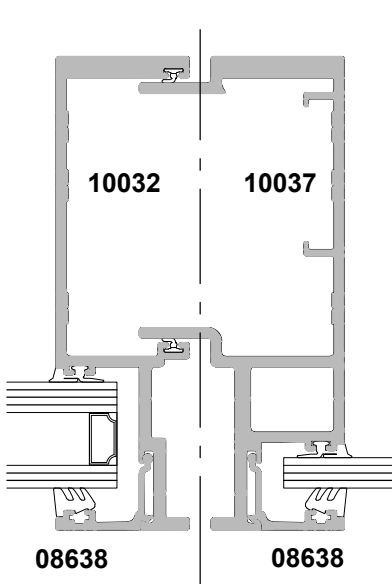
SECTION B-B



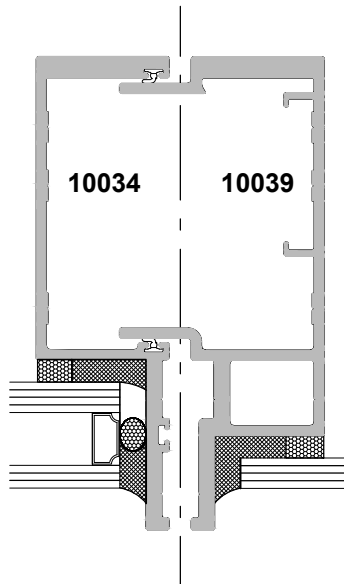
125MM FLUSHGLAZE SYSTEM
SINGLE GLAZED, DOOR ADAPTOR
CROSS SECTION

Date 01.08.16 Scale 1:2

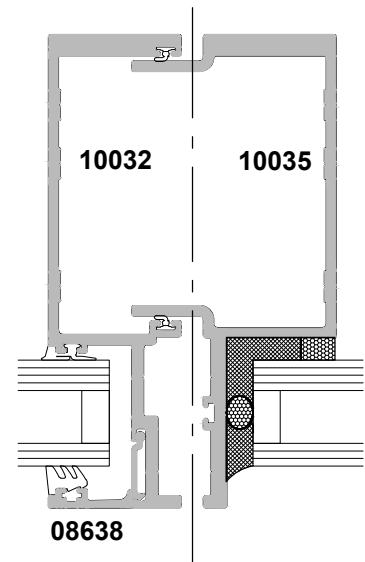




**DOUBLE TO
SINGLE GLAZED**



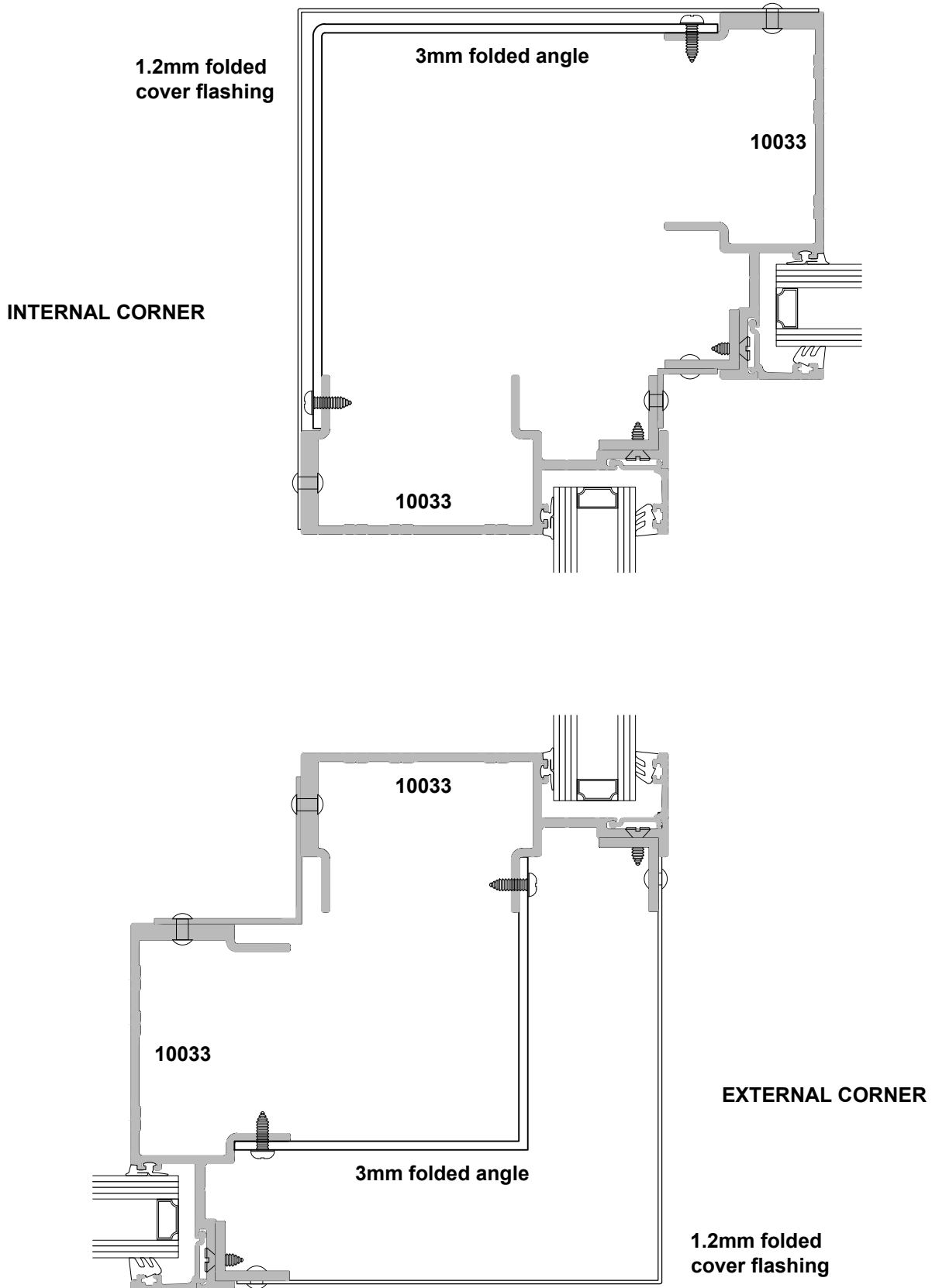
**STRUCTURAL
GLAZED
DOUBLE TO
SINGLE**



**FLUSHGLAZE
TO STRUCTURAL
GLAZE SYSTEM**

125MM FLUSHGLAZE SYSTEM
DOUBLE GLAZED 90° CORNER MULLIONS
CROSS SECTION

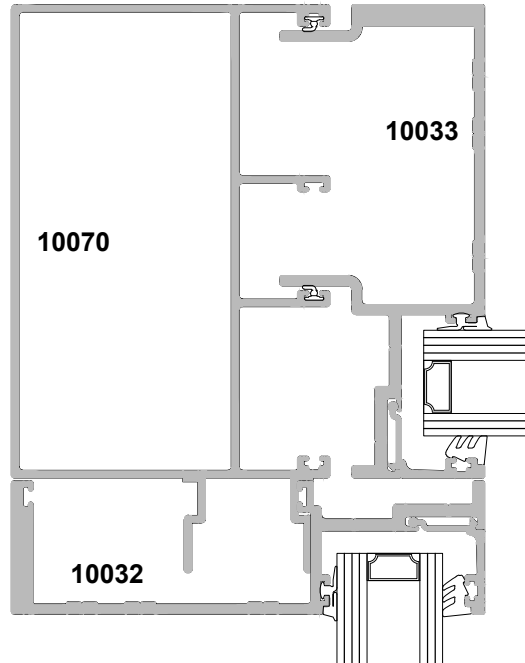
Date 01.08.16 Scale 1:2



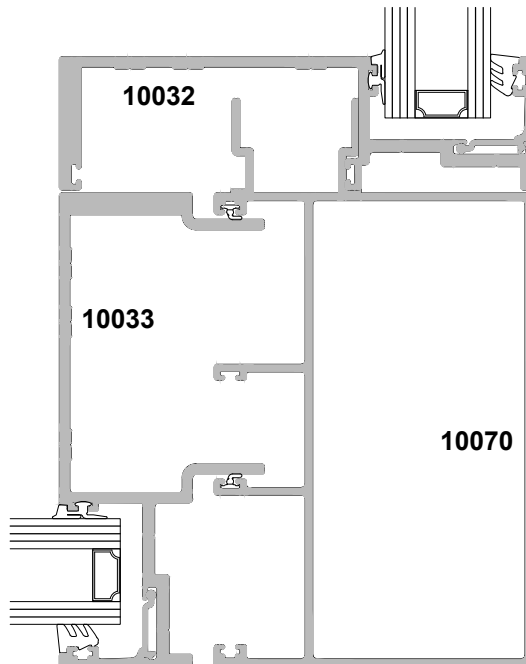
125MM FLUSHGLAZE SYSTEM
STRIP WINDOWS DOUBLE GLAZED 90° CORNERS
CROSS SECTION

Date 01.08.16 Scale 1:2

Internal 90° Corner

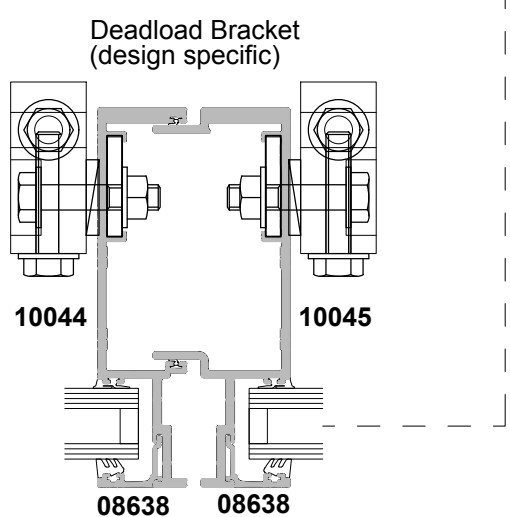
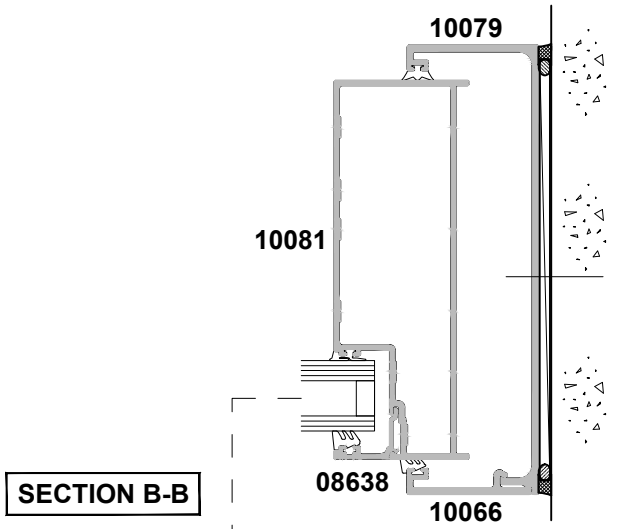
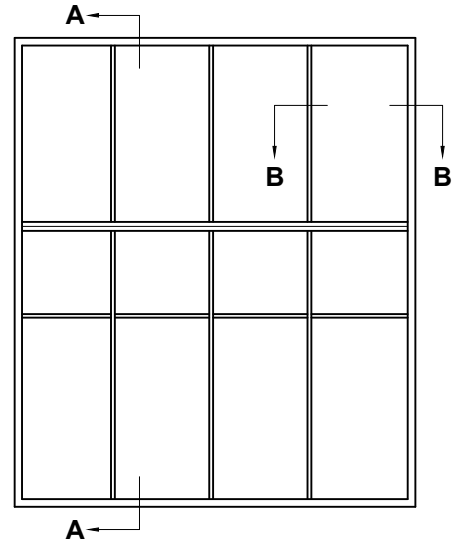
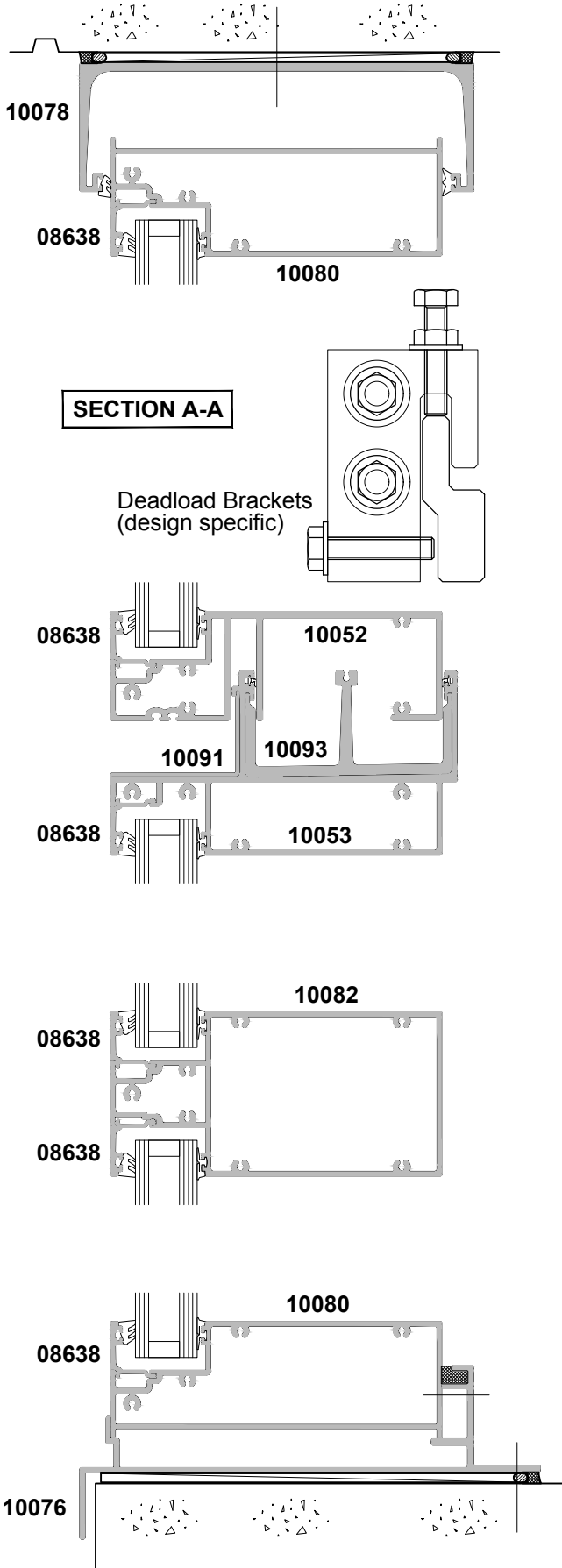


External 90° Corner



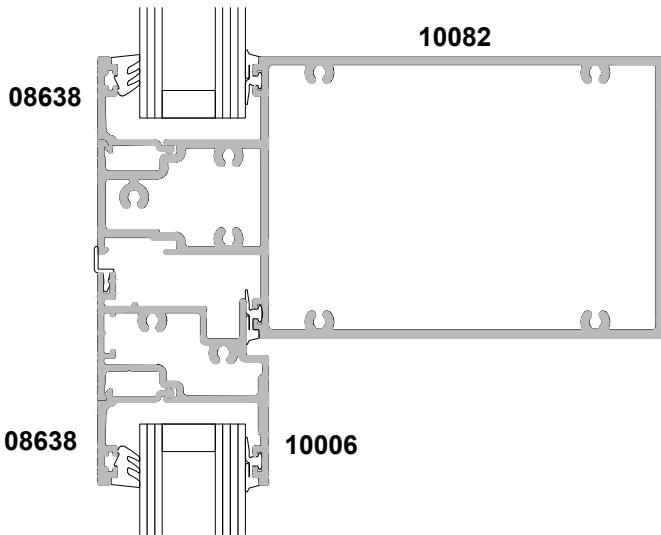
150MM FLUSHGLAZE SYSTEM
DOUBLE GLAZED, SEISMIC SYSTEM
CROSS SECTION

Date 01.08.16 Scale 1:3

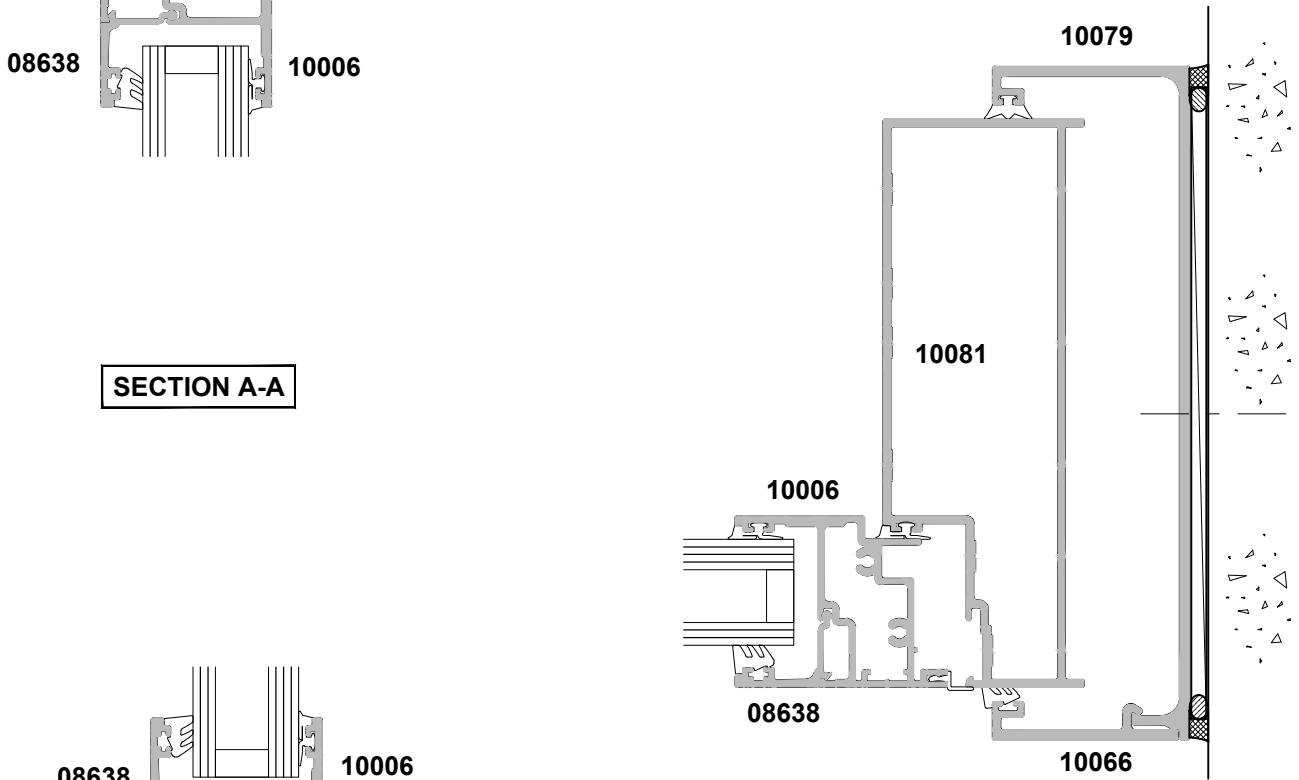
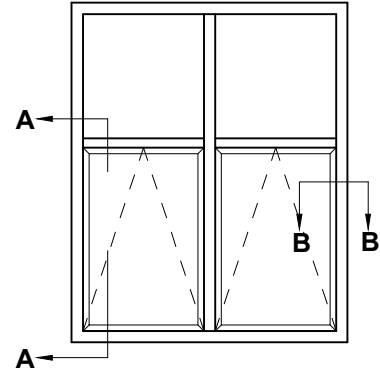


150MM FLUSHGLAZE SYSTEM
DOUBLE GLAZED, SASH
CROSS SECTION

Date 01.08.16 Scale 1:2



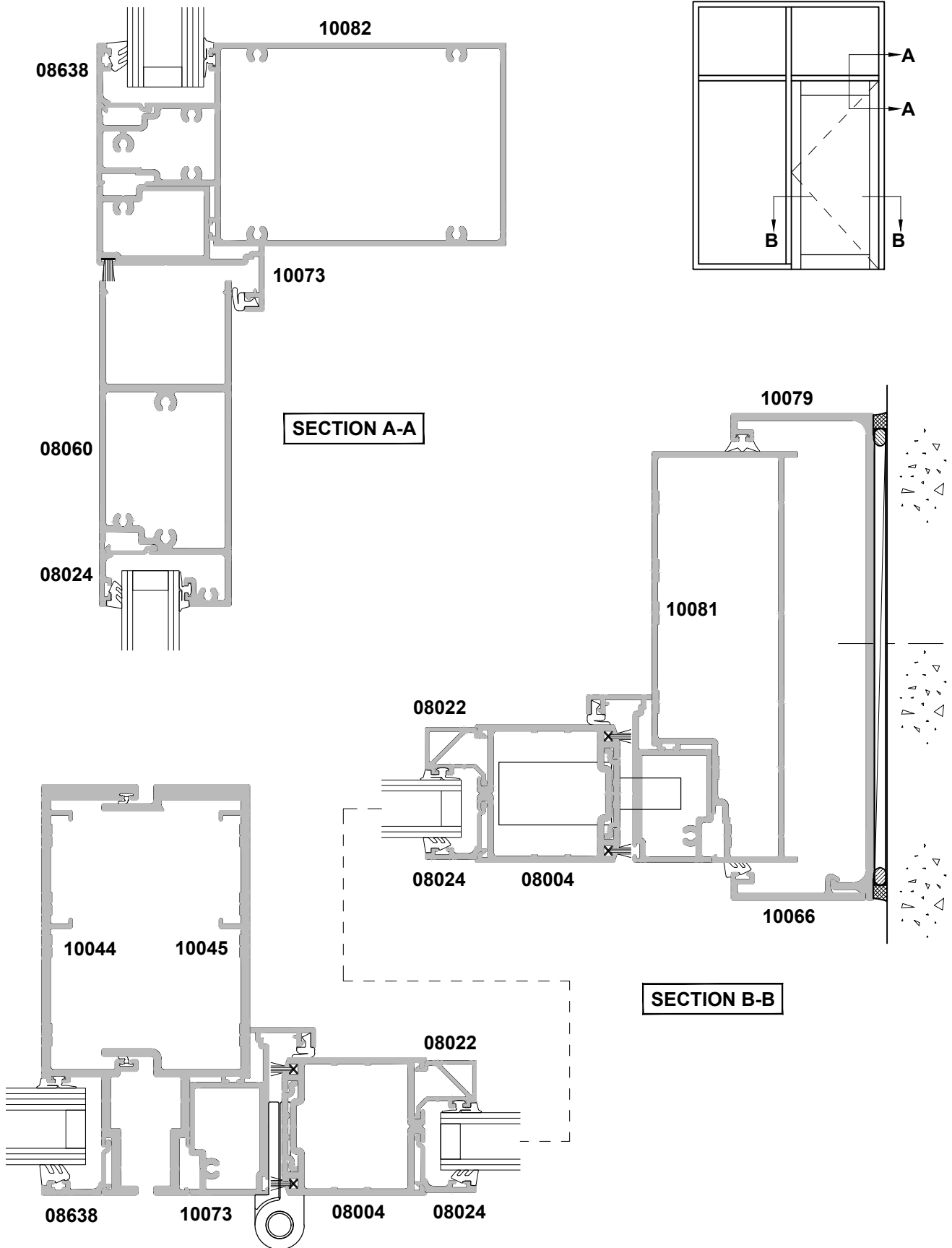
SECTION A-A

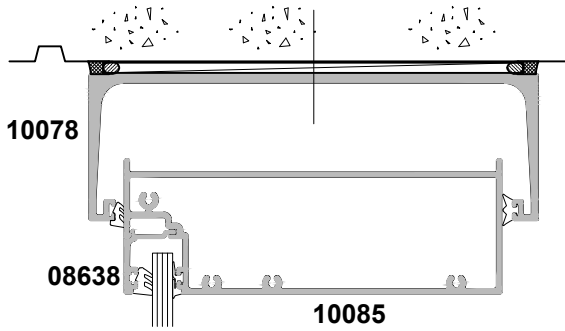


SECTION B-B

**150MM FLUSHGLAZE SYSTEM
DOUBLE GLAZED, DOOR ADAPTOR
CROSS SECTION**

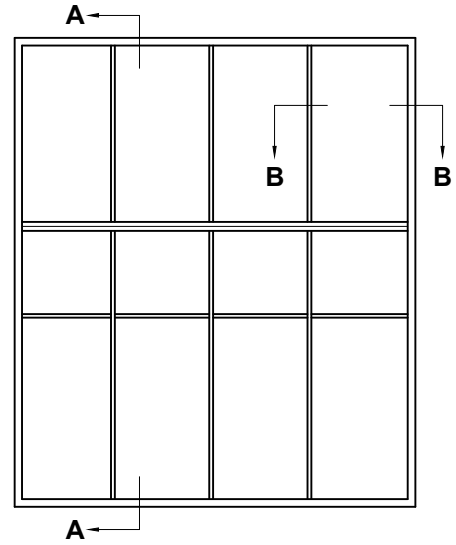
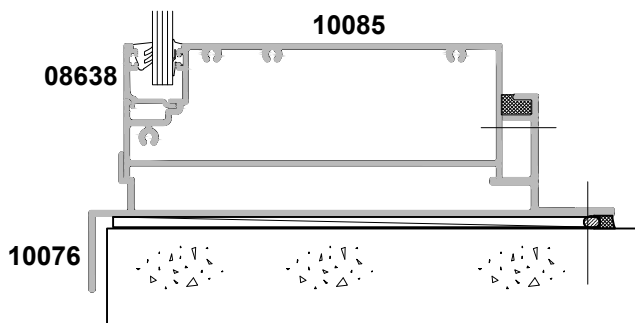
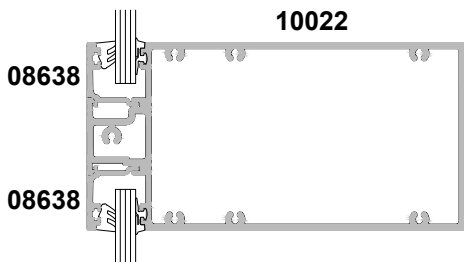
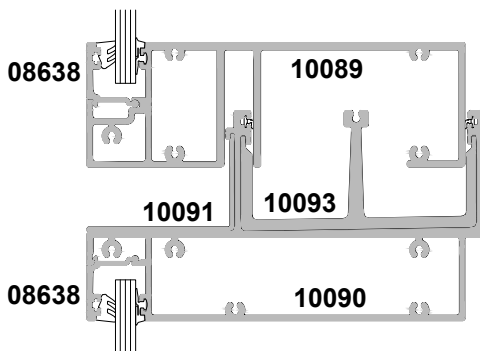
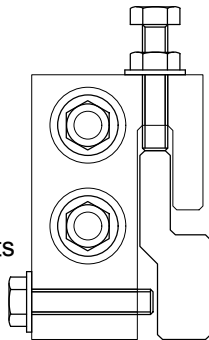
Date 01.08.16 Scale 1:2



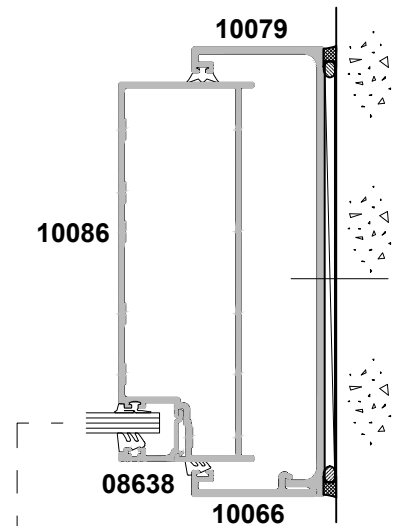


SECTION A-A

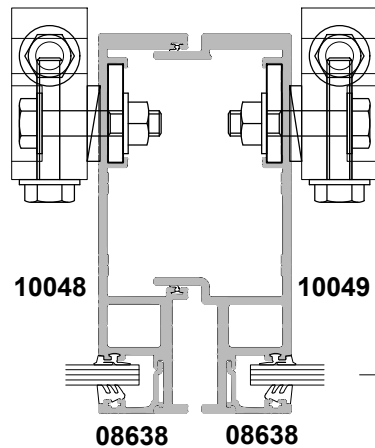
Deadload Brackets
(design specific)



SECTION B-B

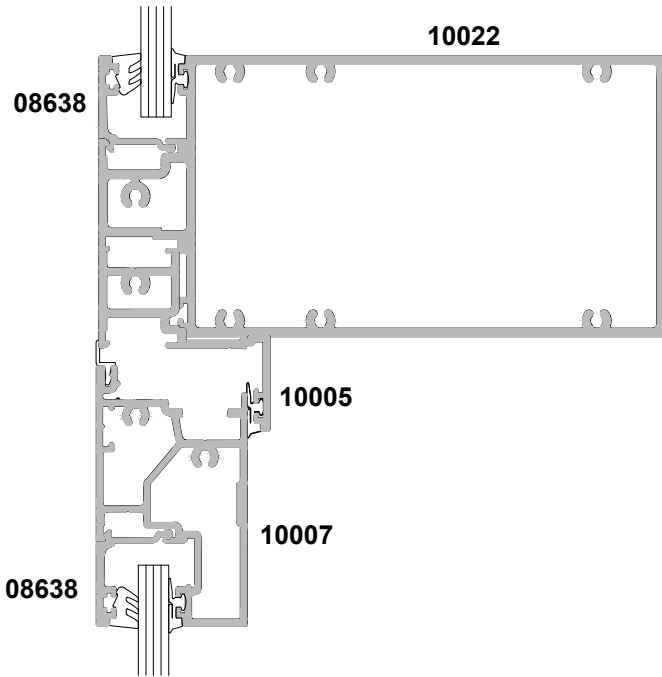


Deadload Bracket
(design specific)

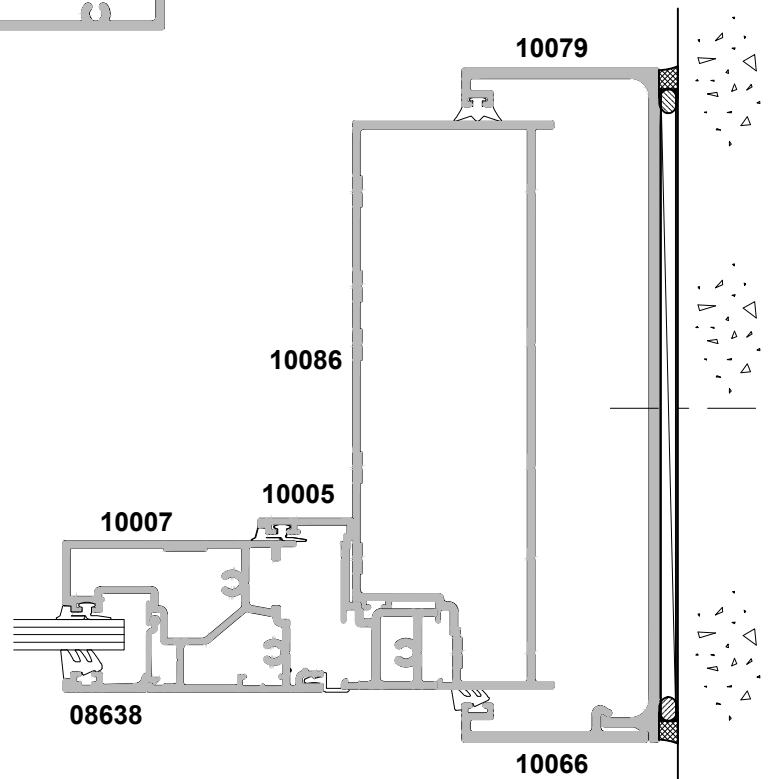
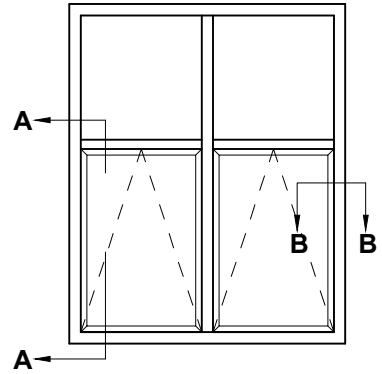


150MM FLUSHGLAZE SYSTEM
SINGLE GLAZED, SASH
CROSS SECTION

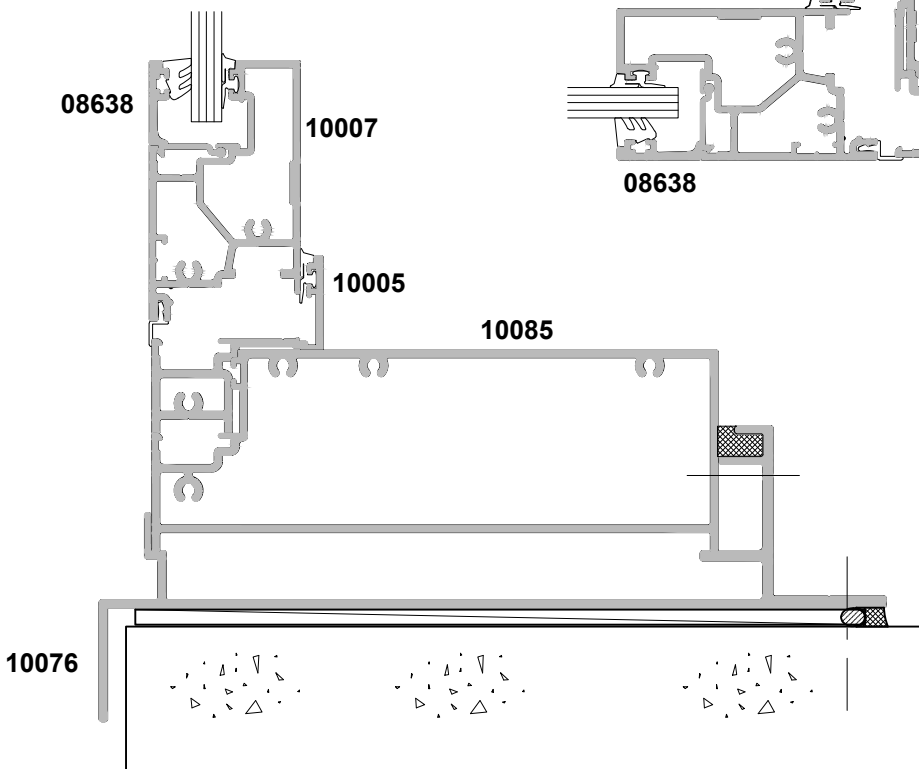
Date 01.08.16 Scale 1:2



SECTION A-A



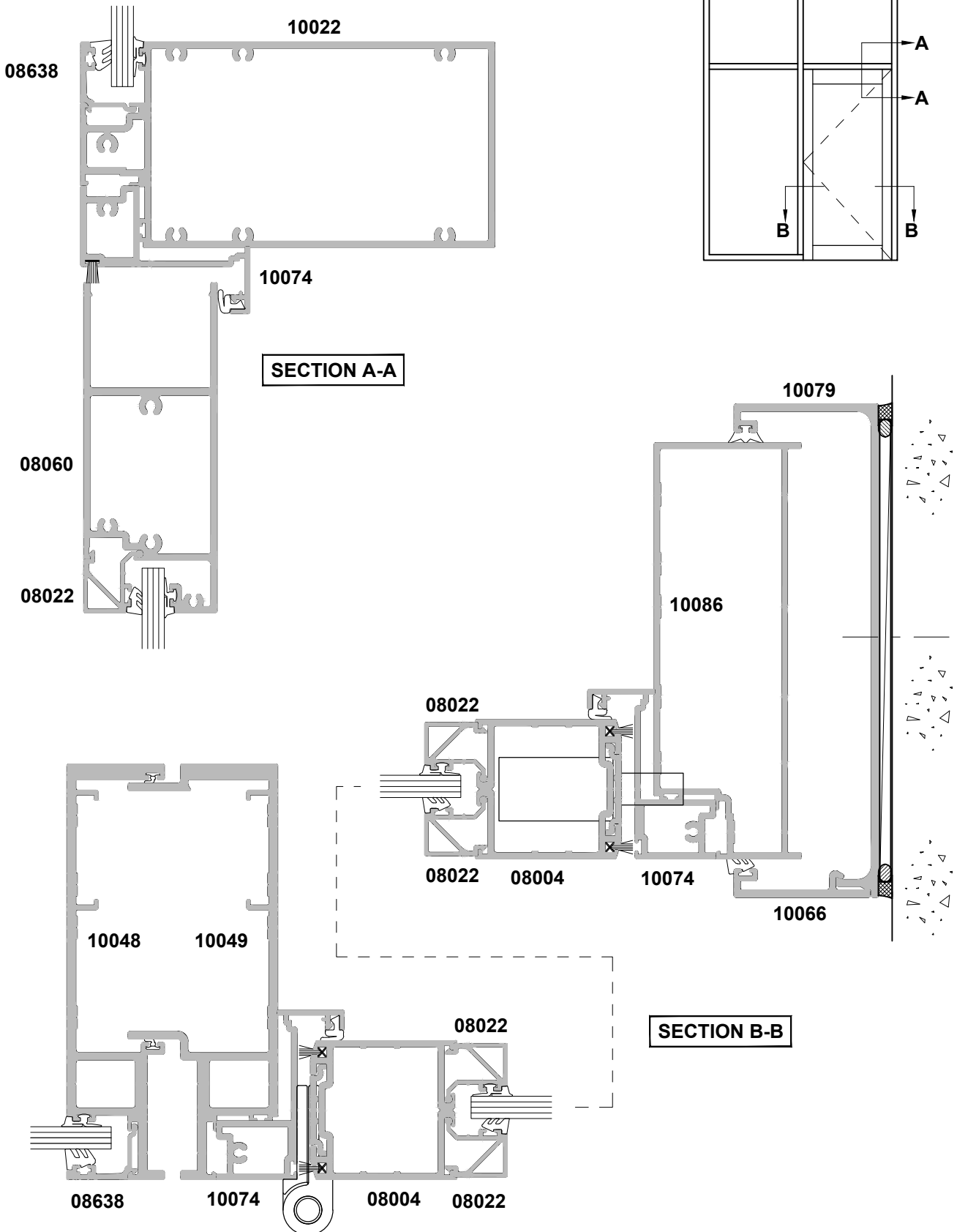
SECTION B-B

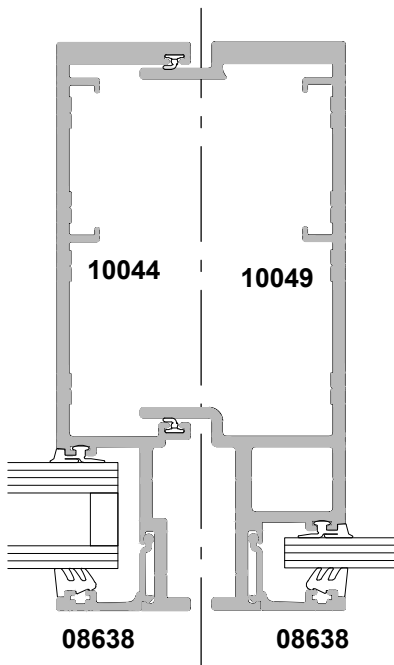


10076

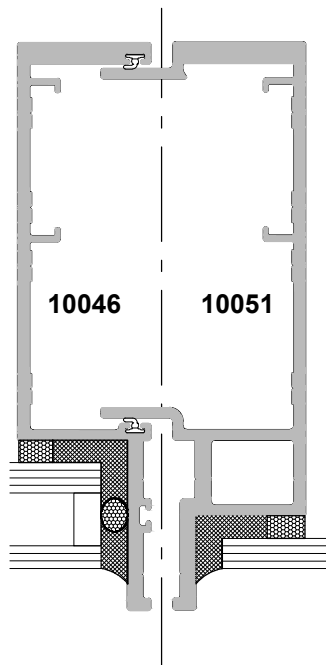
**150MM FLUSHGLAZE SYSTEM
SINGLE GLAZED, DOOR ADAPTOR
CROSS SECTION**

Date 01.08.16 Scale 1:2

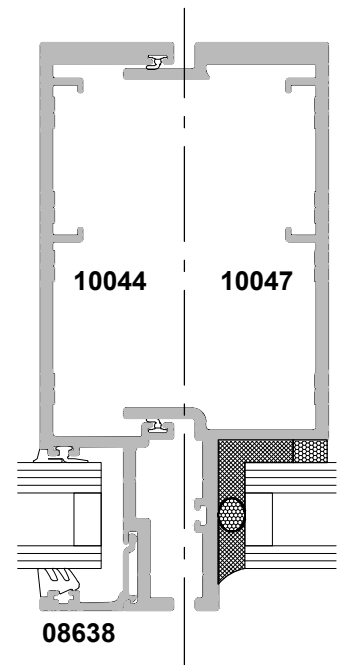




**DOUBLE TO
SINGLE GLAZED**



**STRUCTURAL
GLAZED
DOUBLE TO
SINGLE**



**FLUSHGLAZE
TO STRUCTURAL
GLAZE SYSTEM**

**150MM FLUSHGLAZE SYSTEM
DOUBLE GLAZED 90° CORNER MULLIONS
CROSS SECTION**

Date 01.08.16 Scale 1:2

