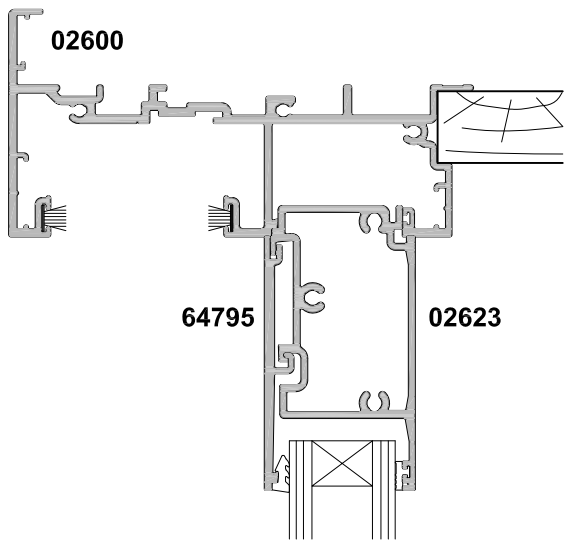
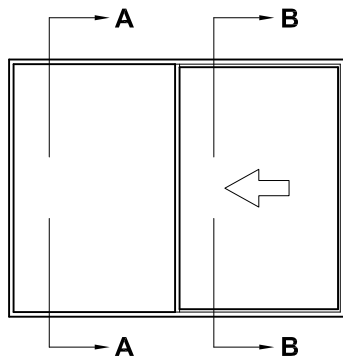


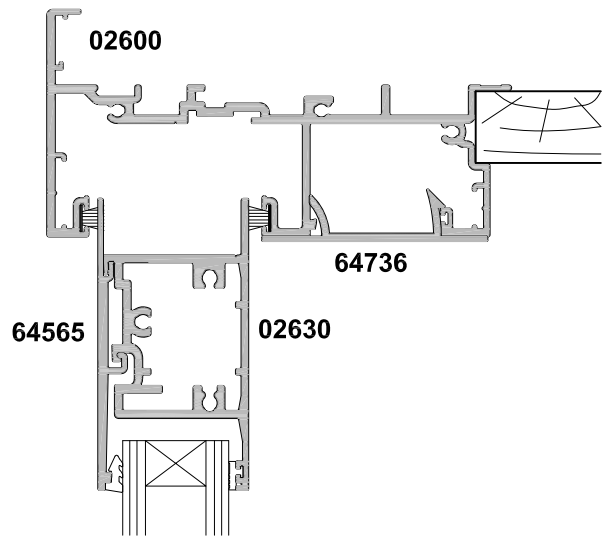
**METRO SERIES
SLIDING WINDOW
TWO PANEL FS**

CROSS SECTION

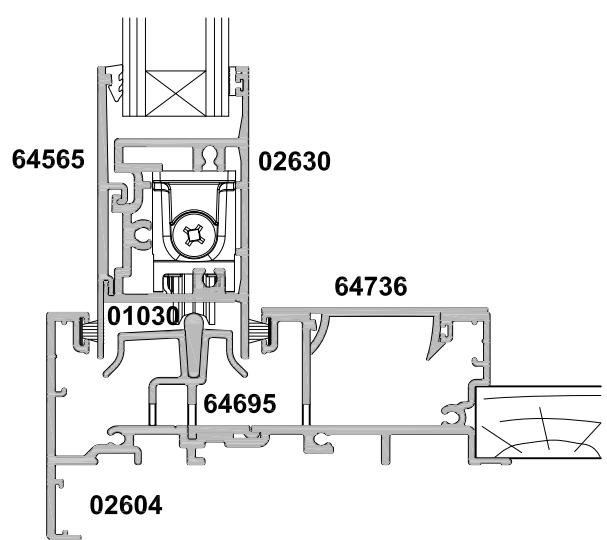
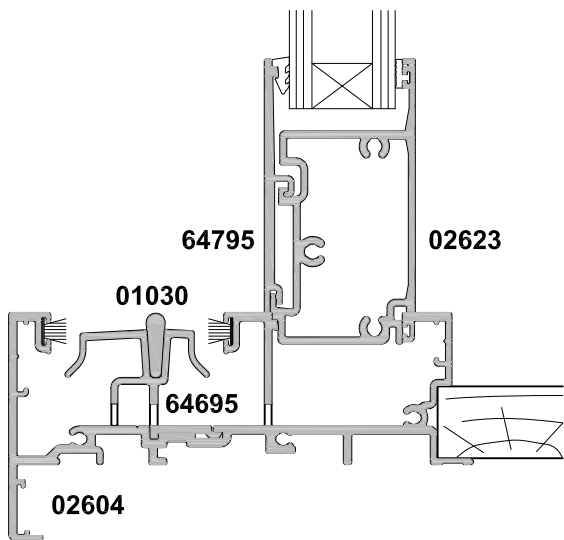
Date 15.05.18 Scale 1:2



SECTION A-A

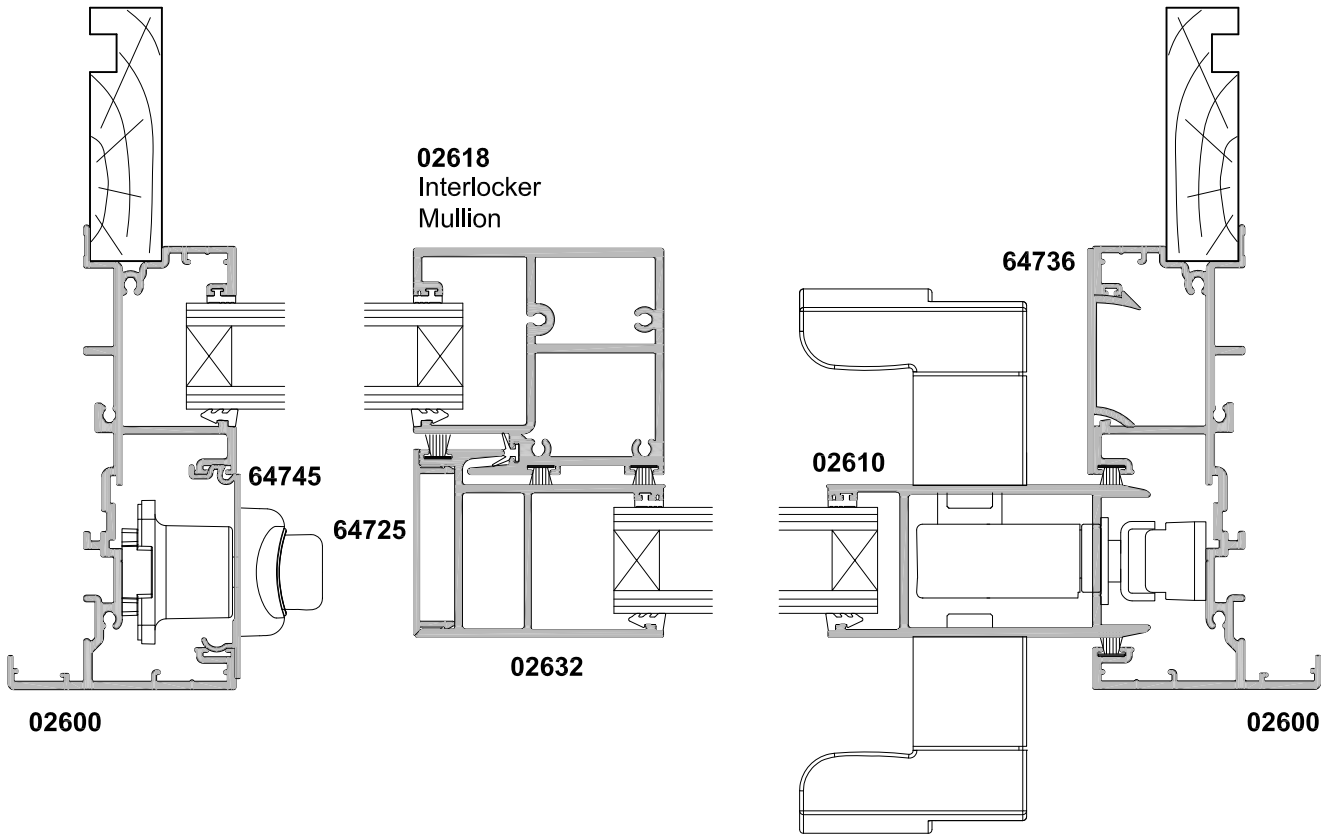
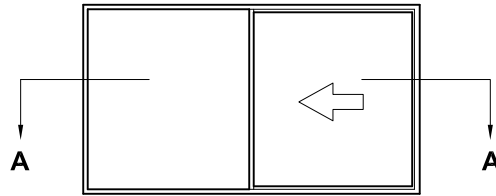


SECTION B-B



CROSS SECTION

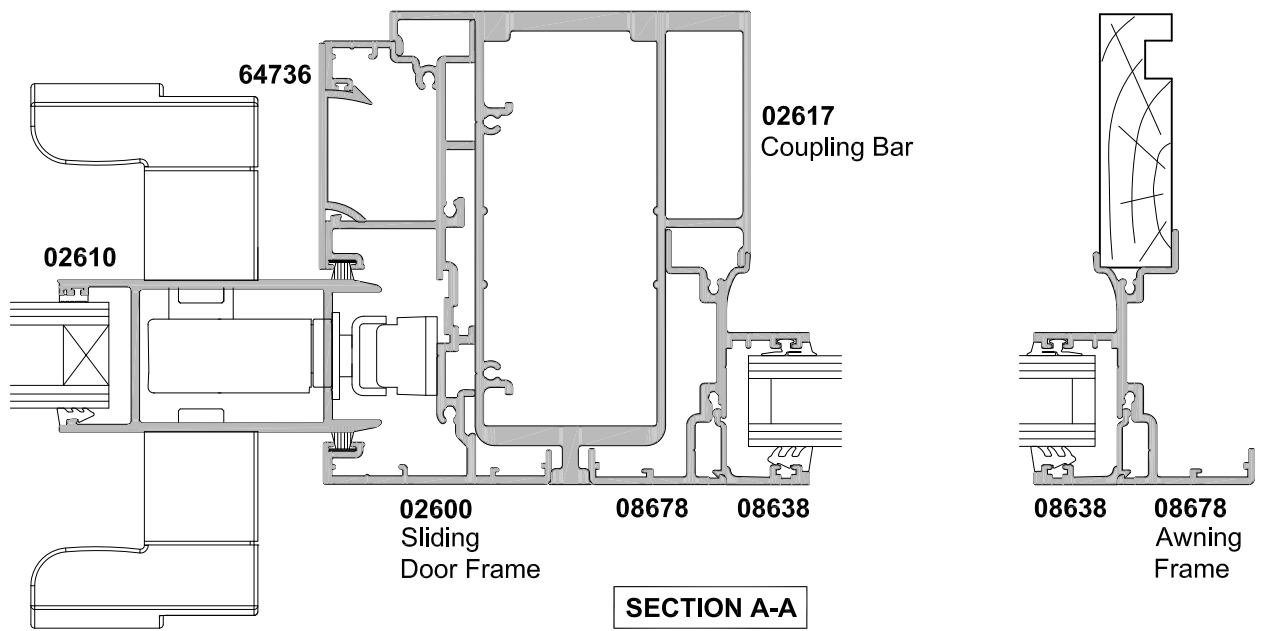
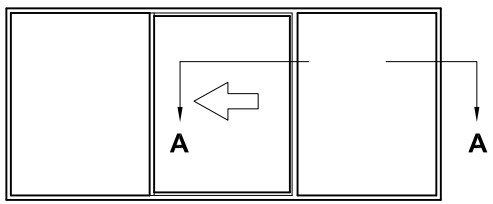
Date 01.07.16 Scale 1:2



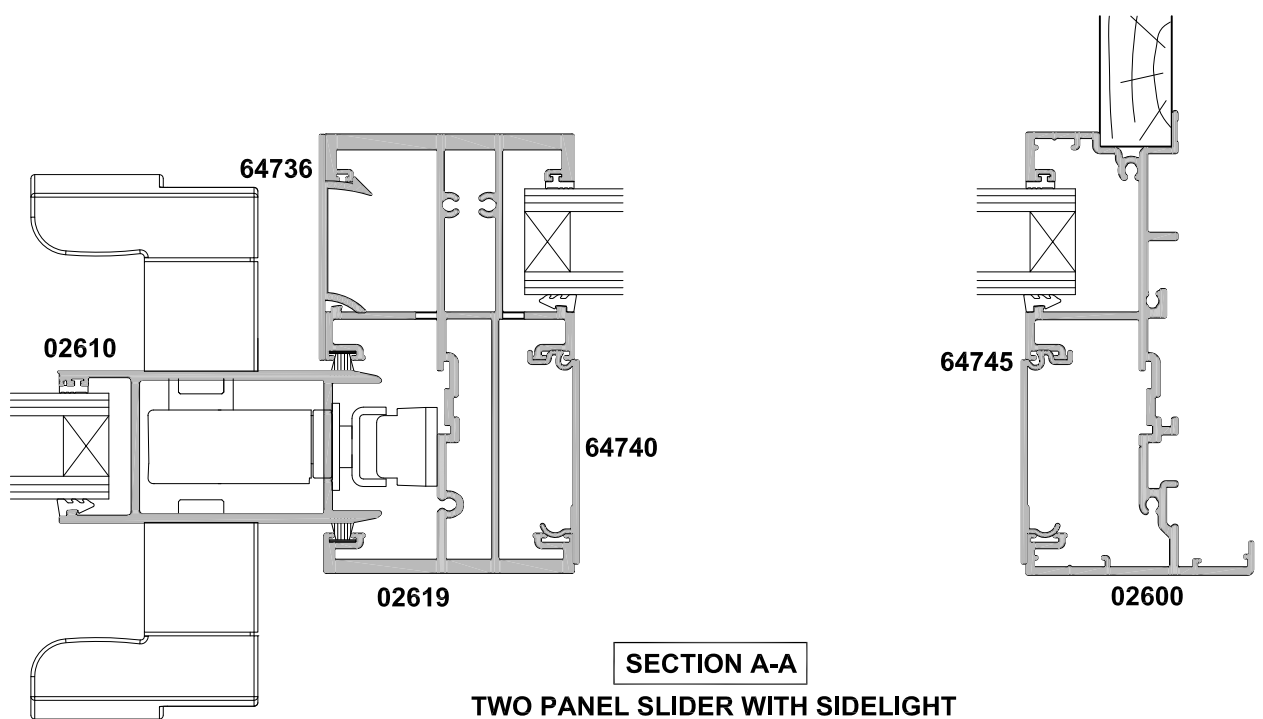
SECTION A-A

**METRO SERIES
SLIDING WINDOW
COUPLED SIDELIGHT OPTIONS
CROSS SECTION**

Date 15.05.18 Scale 1:2



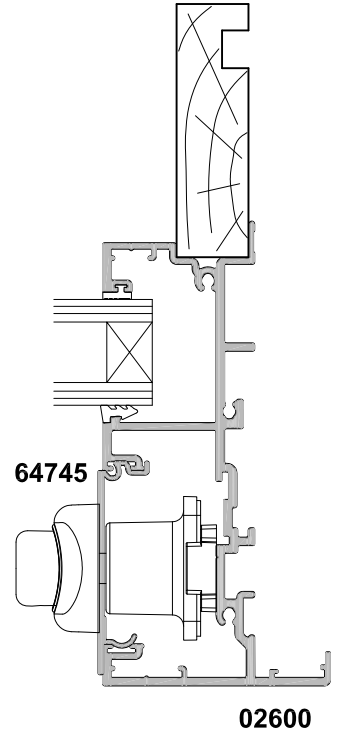
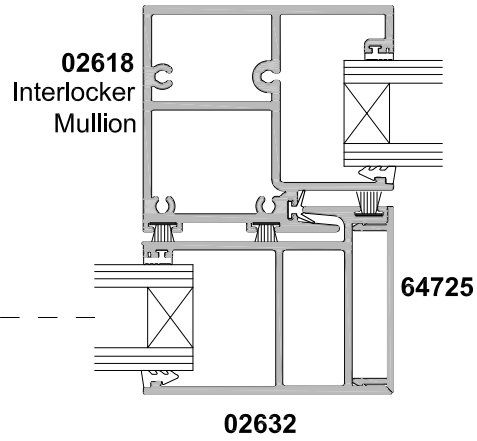
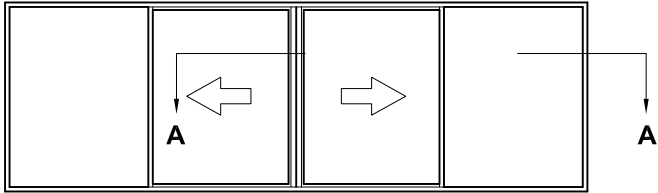
TWO PANEL SLIDER COUPLED TO METRO AWNING



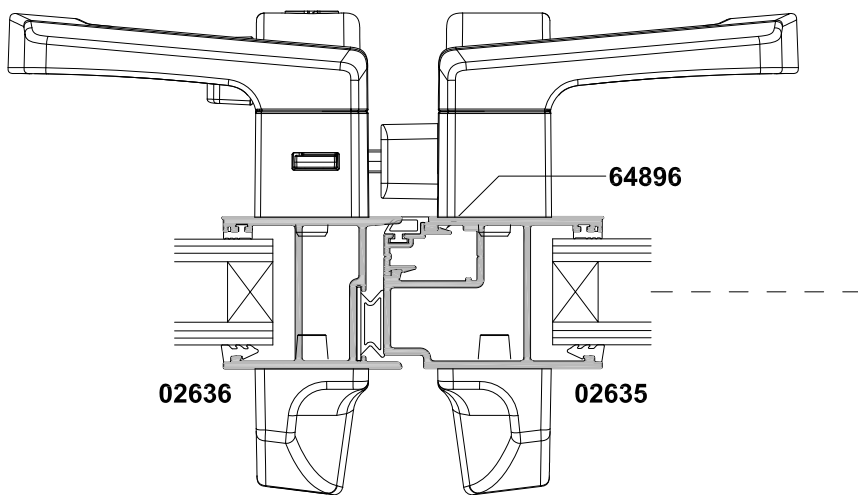
TWO PANEL SLIDER WITH SIDELIGHT

**METRO SERIES
SLIDING WINDOW
FOUR PANEL FSSF
CROSS SECTION**

Date 01.07.16 Scale 1:2

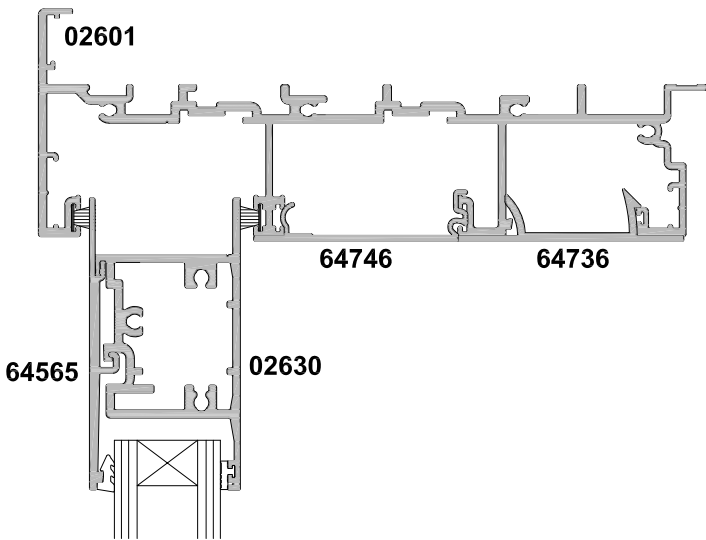
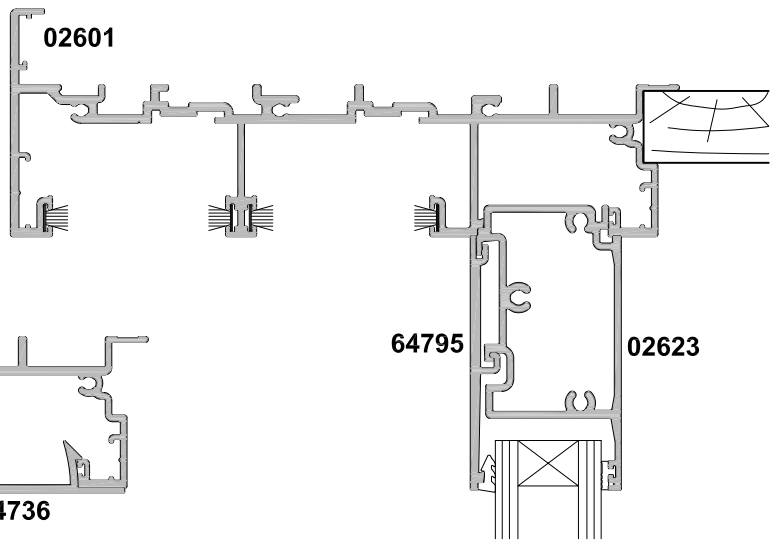
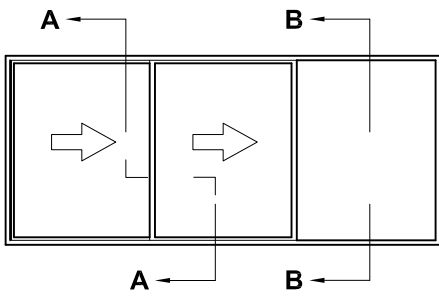


SECTION A-A



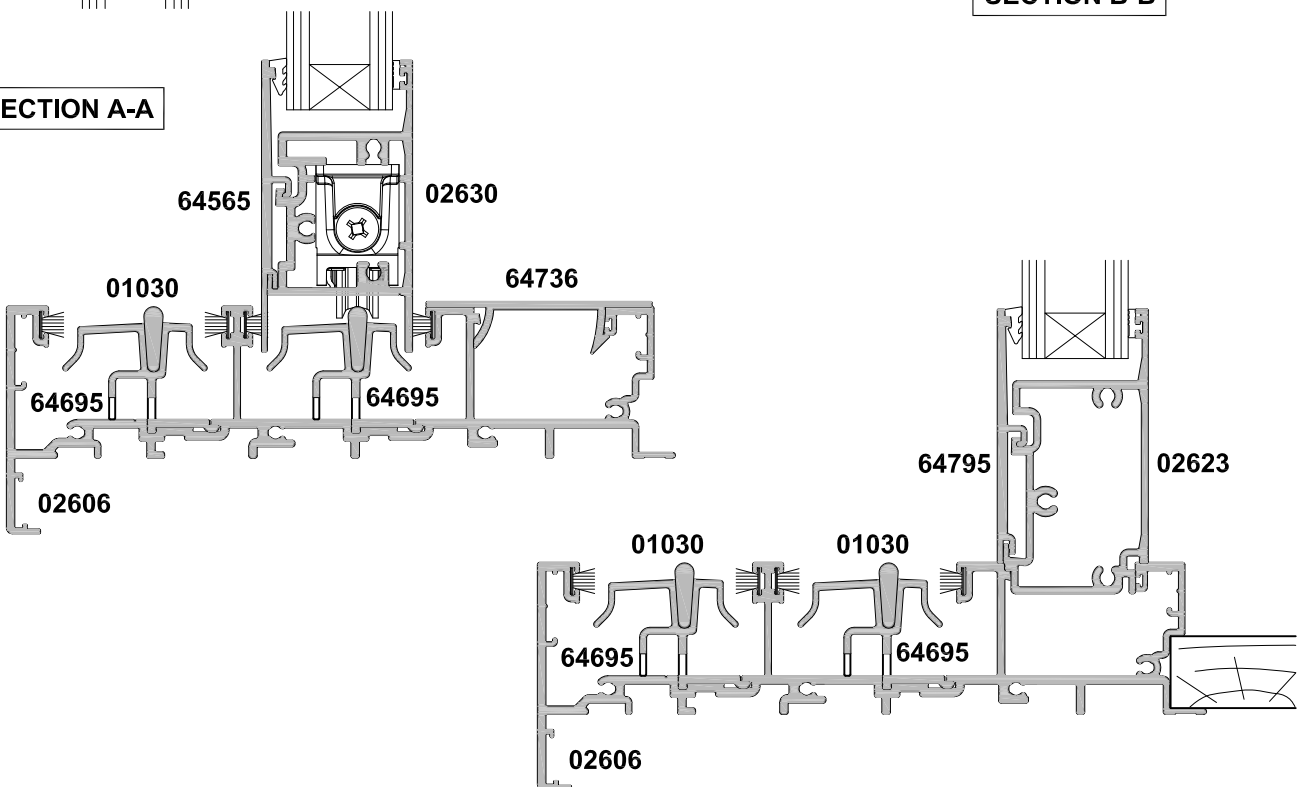
**METRO SERIES
SLIDING WINDOW
THREE PANEL SSF
CROSS SECTION**

Date 15.05.18 Scale 1:2



SECTION B-B

SECTION A-A



**METRO SERIES
SLIDING WINDOW
THREE PANEL SSF
CROSS SECTION**

Date 01.07.16 Scale 1:2

