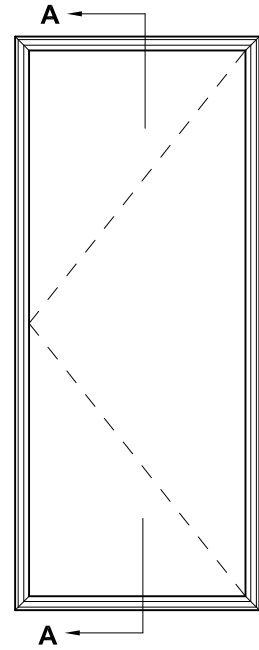
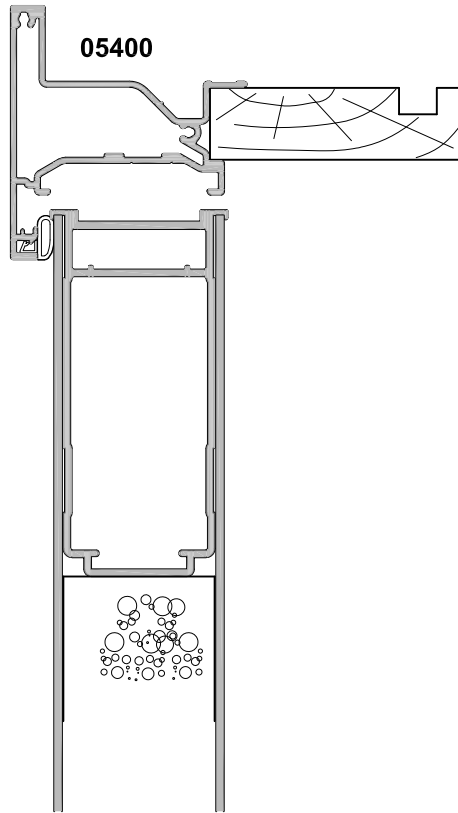


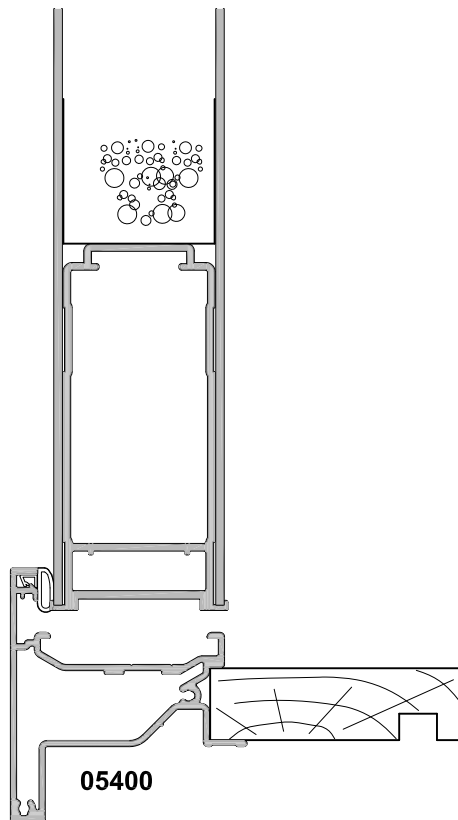
**PLASMA ENTRANCE DOOR
SOLID CORE PANELS**

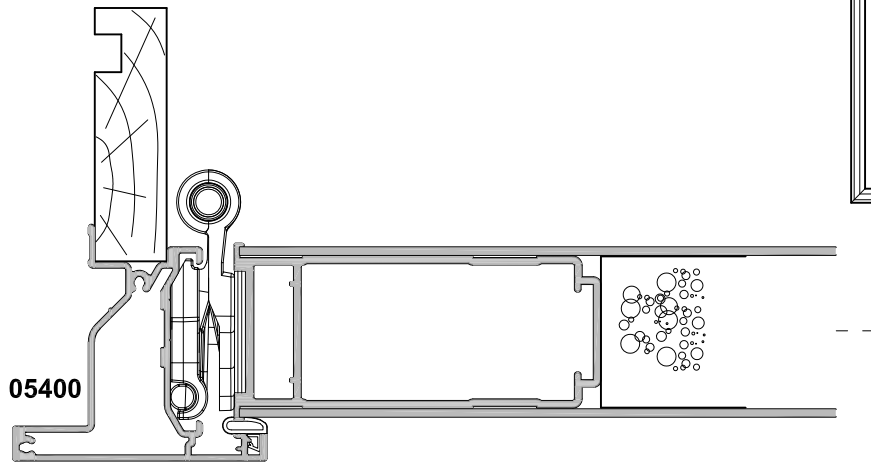
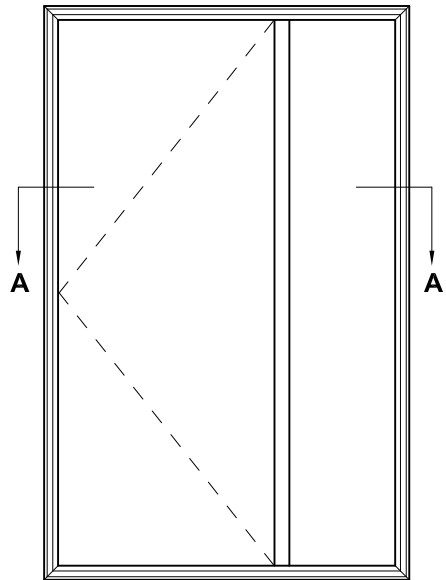
CROSS SECTION

Date 01.04.19 Scale 1:2

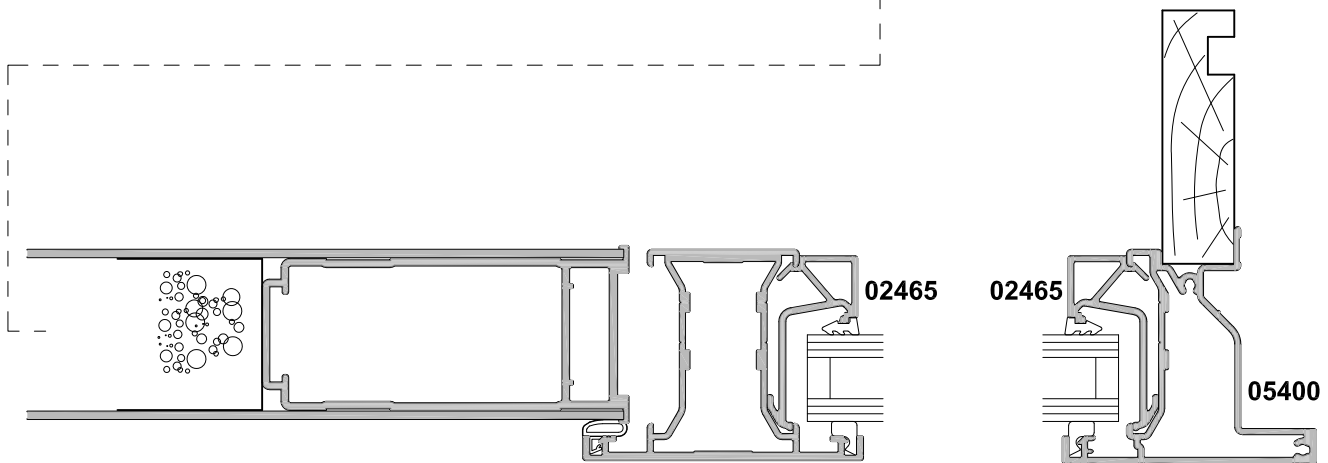


SECTION A-A





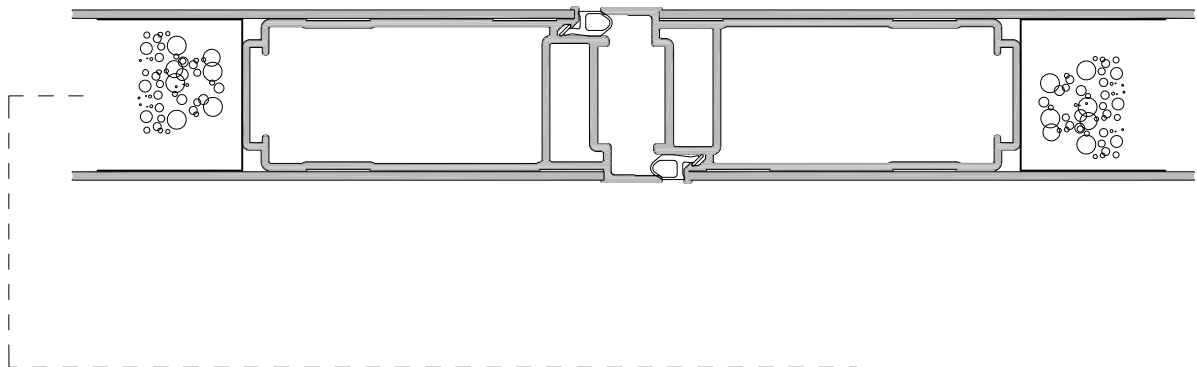
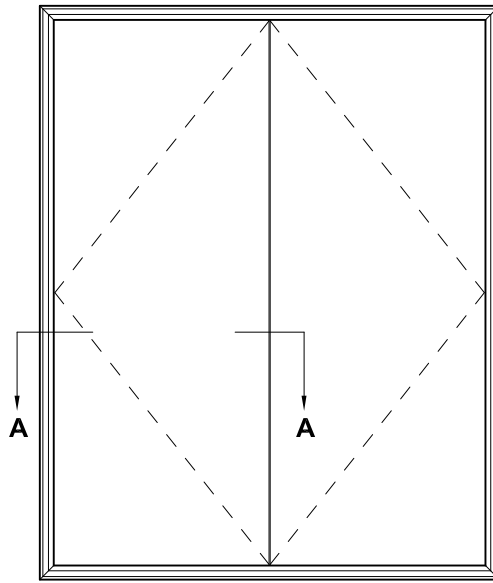
SECTION A-A



02462 Mullion
Refer to tables for span requirements

**PLASMA ENTRANCE DOOR
EQUAL SIZED FRENCH DOOR
CROSS SECTION**

Date 01.04.19 Scale 1:2



SECTION A-A

