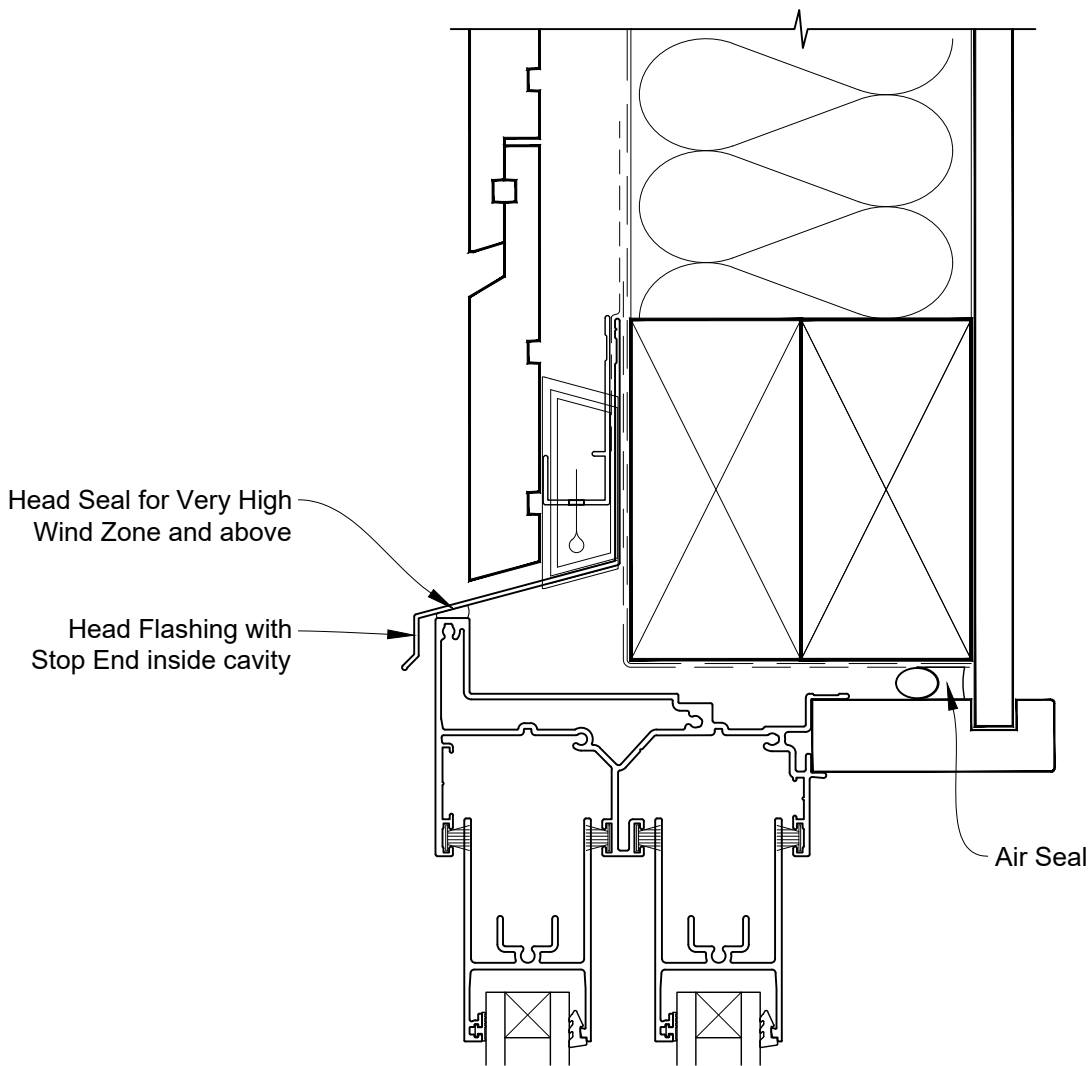


**INSTALLATION DETAIL - FIRST RESIDENTIAL
TWIN SLIDER WINDOW ON RUSTICATED
WEATHERBOARD - CAVITY CONSTRUCTION**

Date: 01.04.19

Scale: 1:2

CAD Ref.: FRTWRW-CSH

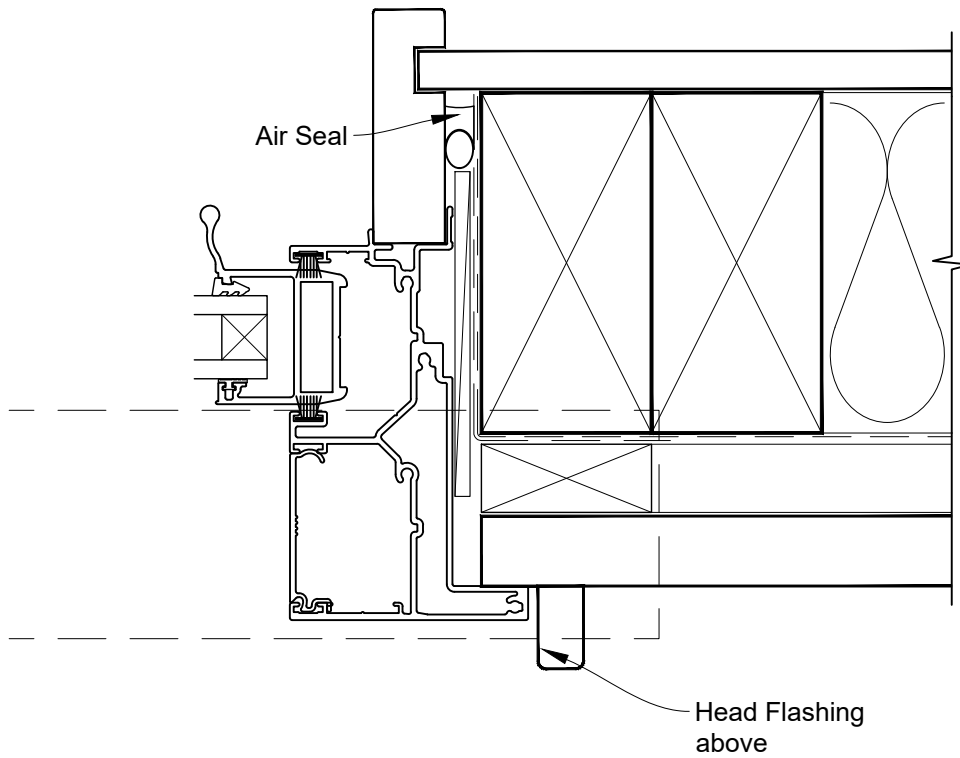


**INSTALLATION DETAIL - FIRST RESIDENTIAL
TWIN SLIDER WINDOW ON RUSTICATED
WEATHERBOARD - CAVITY CONSTRUCTION**

Date: 01.04.19

Scale: 1:2

CAD Ref.: FRTWRW-CSJ

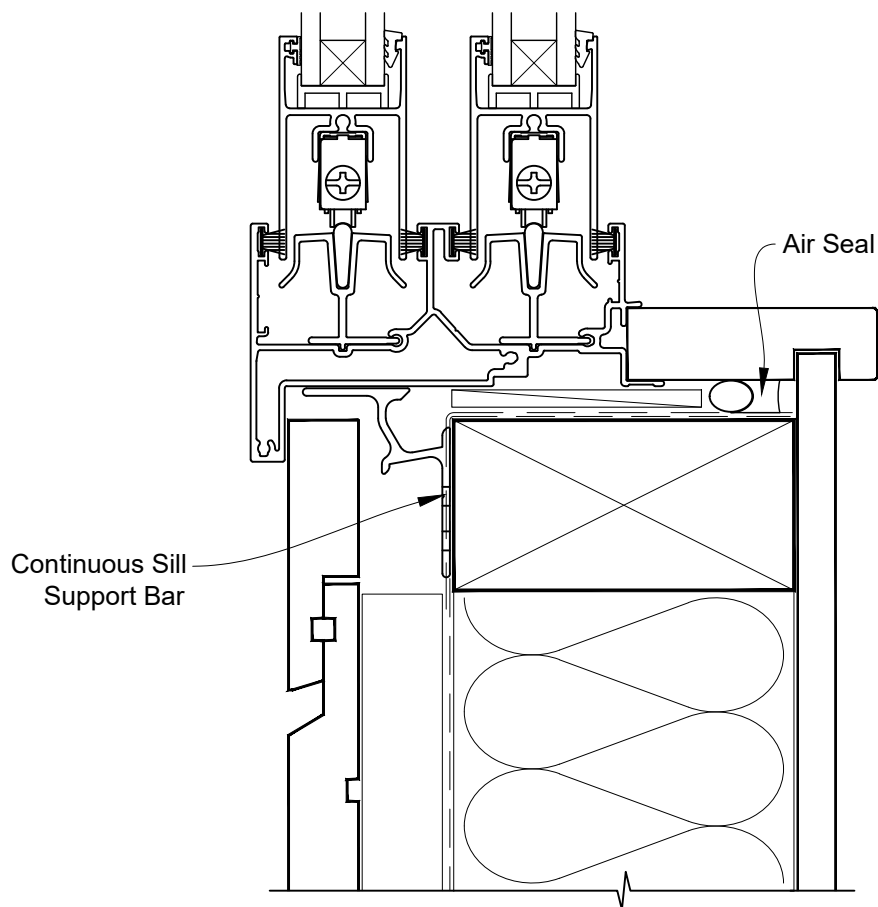


**INSTALLATION DETAIL - FIRST RESIDENTIAL
TWIN SLIDER WINDOW ON RUSTICATED
WEATHERBOARD - CAVITY CONSTRUCTION**

Date: 01.04.19

Scale: 1:2

CAD Ref.: FRTWRW-CSS

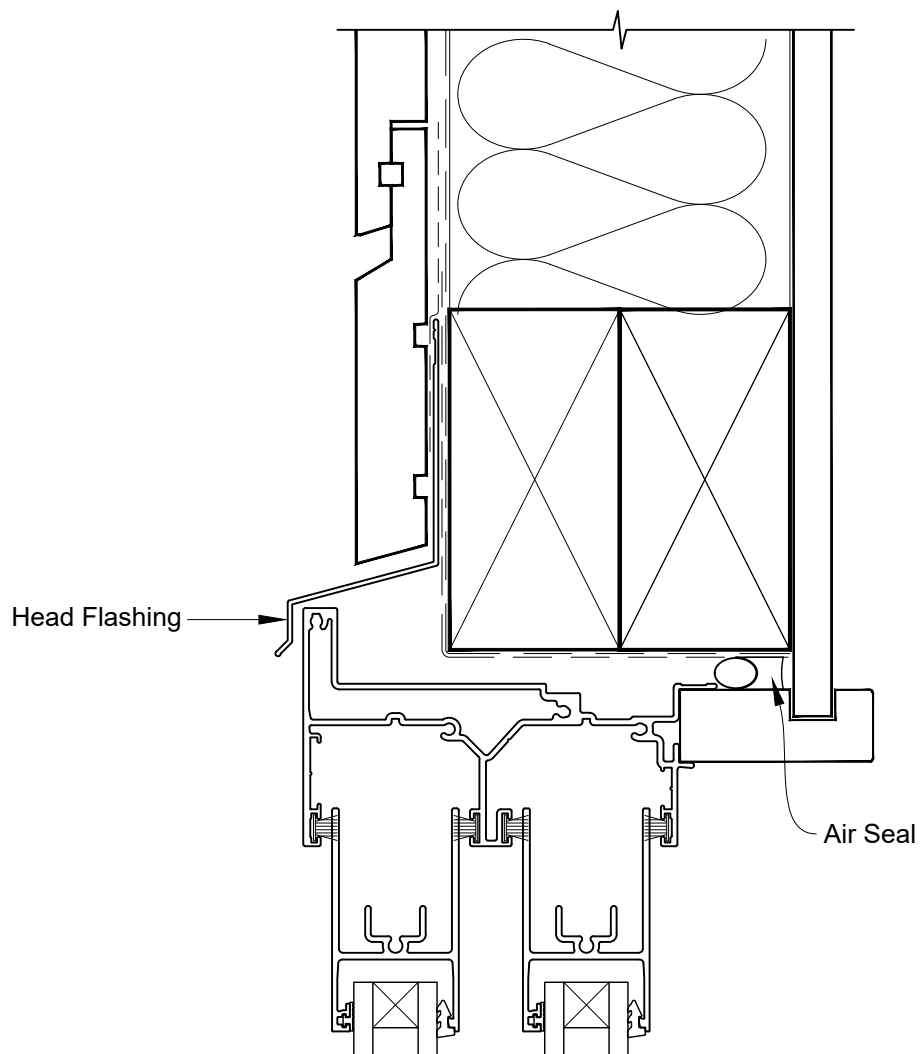


**INSTALLATION DETAIL - FIRST RESIDENTIAL
TWIN SLIDER WINDOW ON RUSTICATED
WEATHERBOARD - DIRECT FIXED CONSTRUCTION**

Date: 01.04.19

Scale: 1:2

CAD Ref.: FRTWRW-DSH

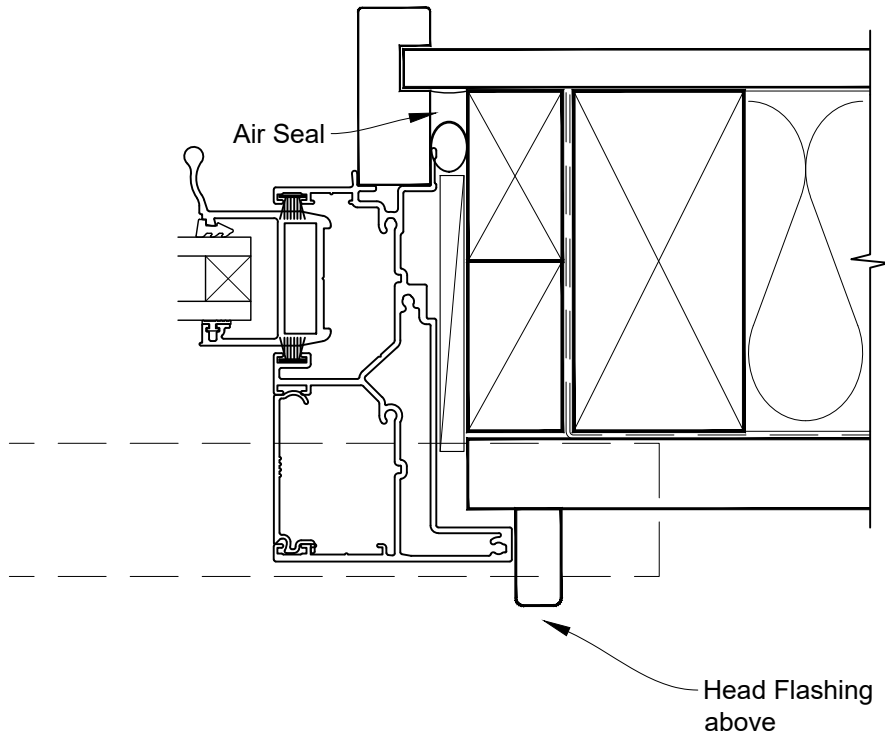


**INSTALLATION DETAIL - FIRST RESIDENTIAL
TWIN SLIDER WINDOW ON RUSTICATED
WEATHERBOARD - DIRECT FIXED CONSTRUCTION**

Date: 01.04.19

Scale: 1:2

CAD Ref.: FRTWRW-DSJ



**INSTALLATION DETAIL - FIRST RESIDENTIAL
TWIN SLIDER WINDOW ON RUSTICATED
WEATHERBOARD - DIRECT FIXED CONSTRUCTION**

Date: 01.04.19

Scale: 1:2

CAD Ref.: FRTWRW-DSS

