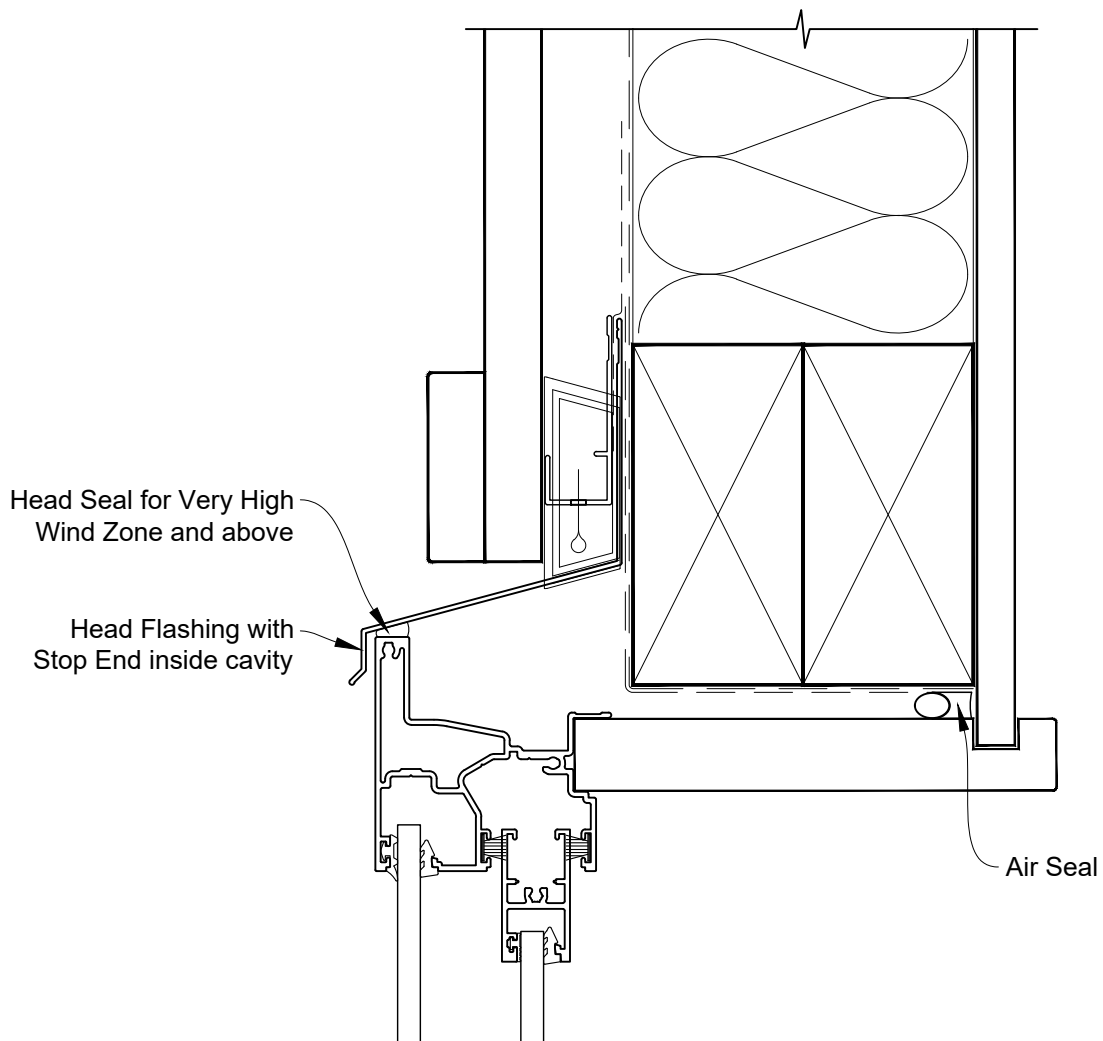


**INSTALLATION DETAIL - FIRST RESIDENTIAL
SLIMLINE SLIDING WINDOW ON BOARD & BATTEN
CAVITY CONSTRUCTION**

Date: 01.04.19

Scale: 1:2

CAD Ref.: FRSLBB-CH

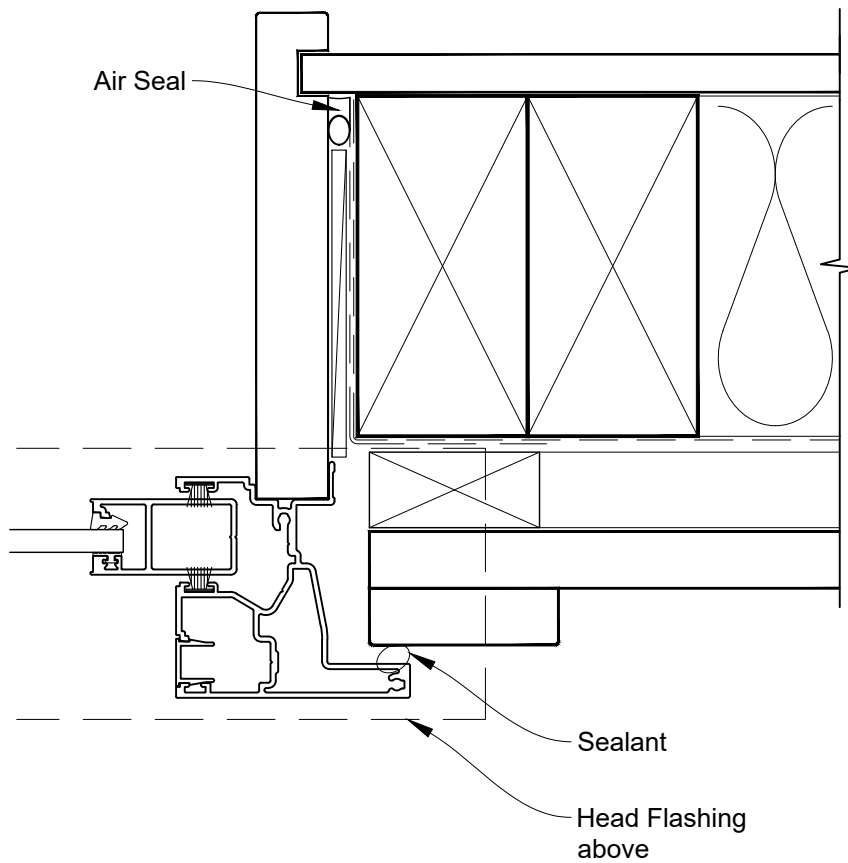


**INSTALLATION DETAIL - FIRST RESIDENTIAL
SLIMLINE SLIDING WINDOW ON BOARD & BATTEN
CAVITY CONSTRUCTION**

Date: 01.04.19

Scale: 1:2

CAD Ref.: FRSLBB-CJ

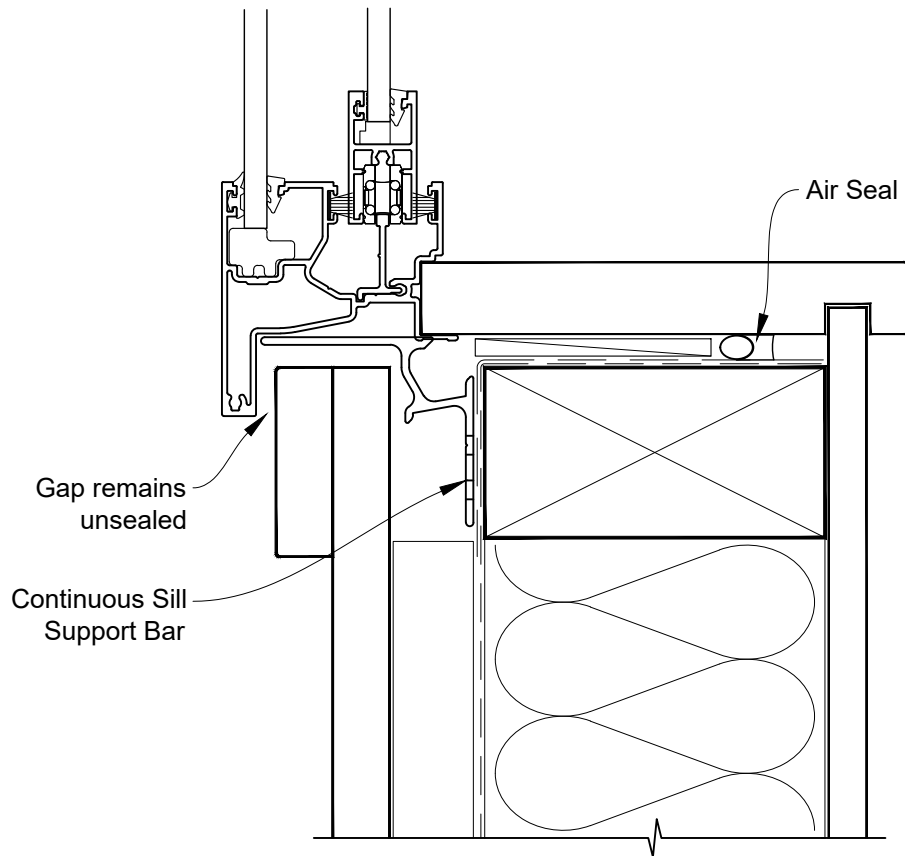


**INSTALLATION DETAIL - FIRST RESIDENTIAL
SLIMLINE SLIDING WINDOW ON BOARD & BATTEN
CAVITY CONSTRUCTION**

Date: 01.04.19

Scale: 1:2

CAD Ref.: FRSLBB-CS

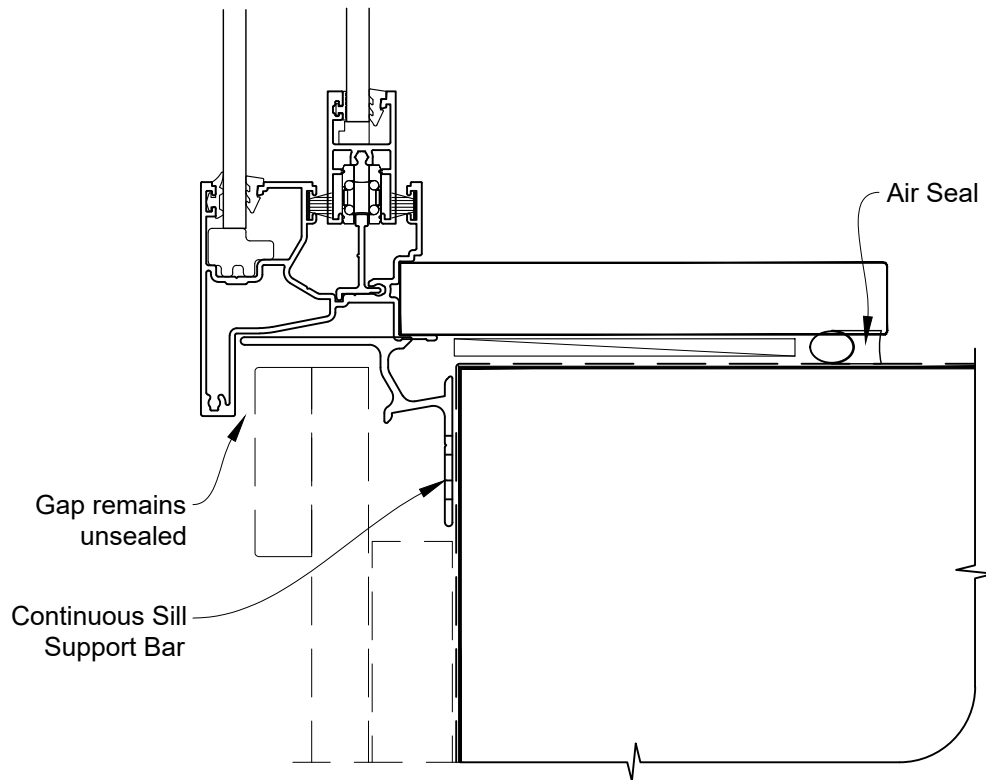


**INSTALLATION DETAIL - FIRST RESIDENTIAL
SLIMLINE SLIDING WINDOW ON BOARD & BATTEN
CAVITY CONSTRUCTION**

Date: 01.04.19

Scale: 1:2

CAD Ref.: FRSLBB-CS2

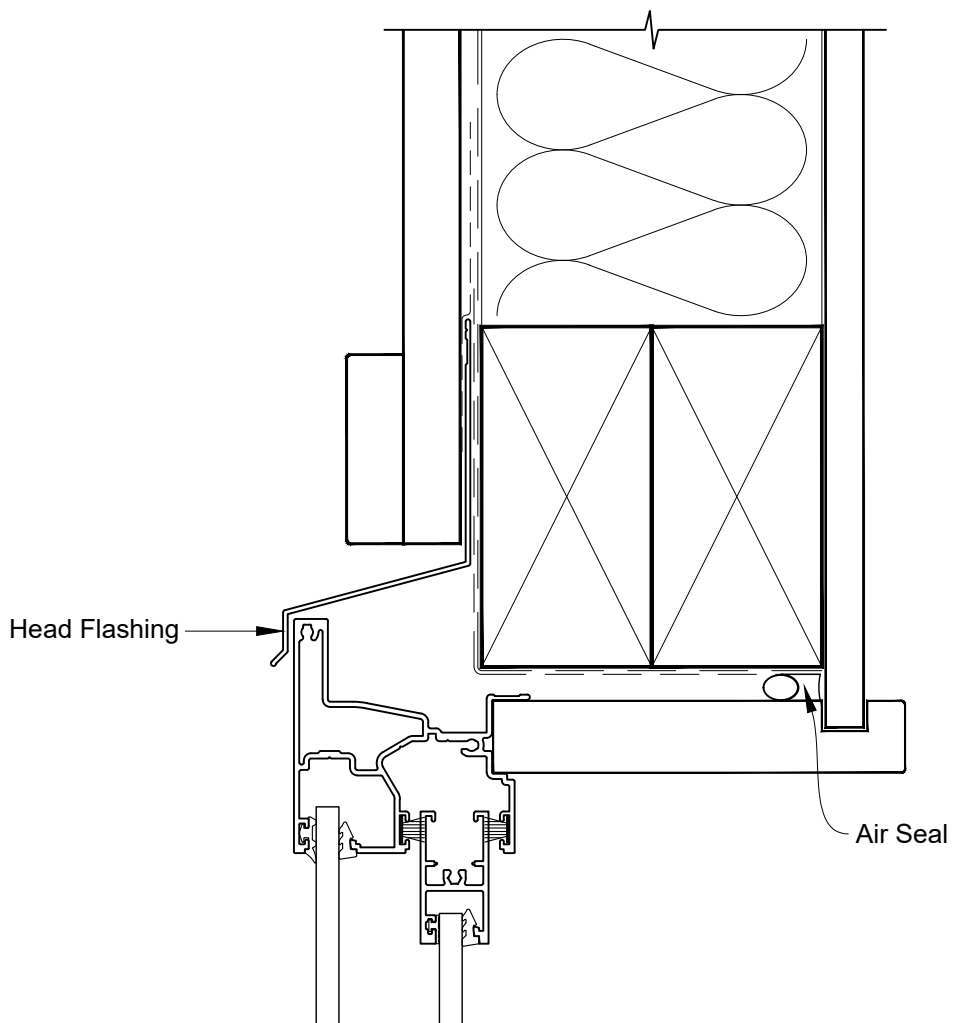


**INSTALLATION DETAIL - FIRST RESIDENTIAL
SLIMLINE SLIDING WINDOW ON BOARD & BATTEN
DIRECT FIXED CLADDING**

Date: 01.04.19

Scale: 1:2

CAD Ref.: FRSLBB-DH

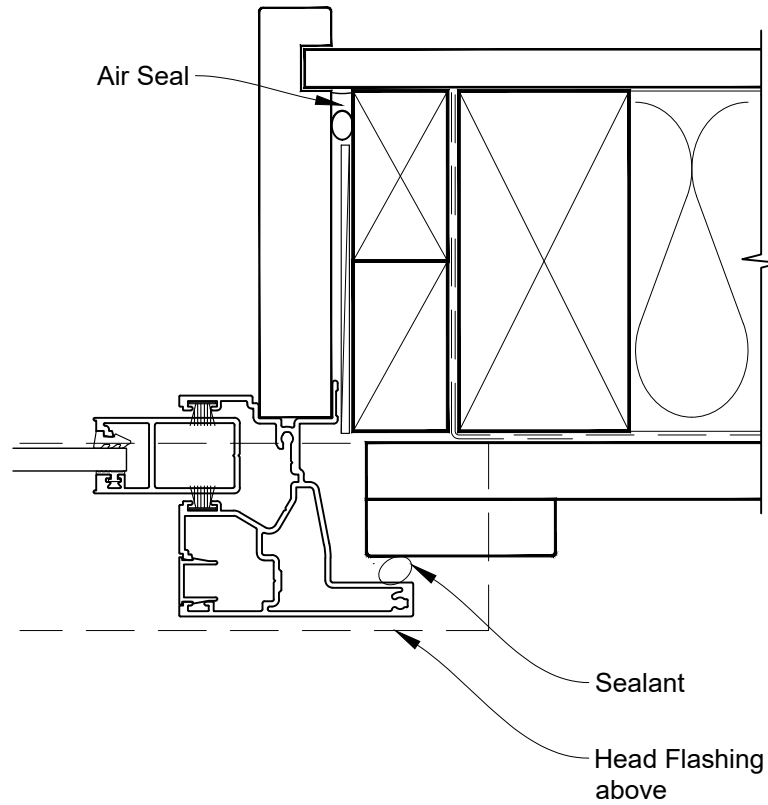


**INSTALLATION DETAIL - FIRST RESIDENTIAL
SLIMLINE SLIDING WINDOW ON BOARD & BATTEN
DIRECT FIXED CLADDING**

Date: 01.04.19

Scale: 1:2

CAD Ref.: FRSLBB-DJ

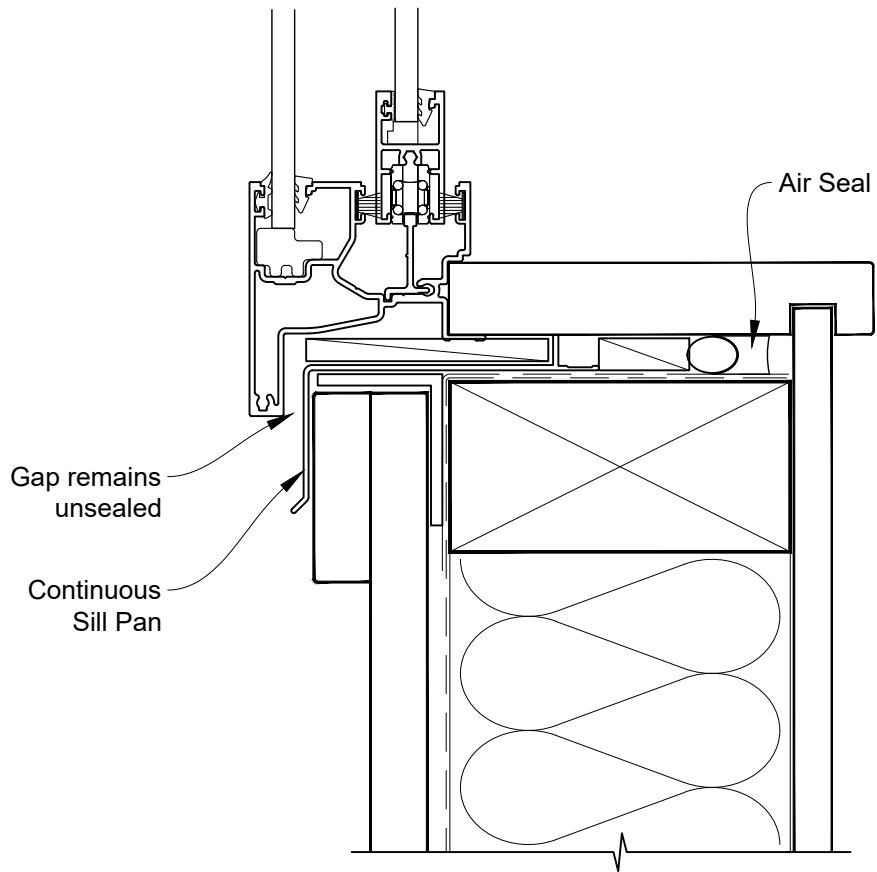


**INSTALLATION DETAIL - FIRST RESIDENTIAL
SLIMLINE SLIDING WINDOW ON BOARD & BATTEN
DIRECT FIXED CLADDING**

Date: 01.04.19

Scale: 1:2

CAD Ref.: FRSLBB-DS



**INSTALLATION DETAIL - FIRST RESIDENTIAL
SLIMLINE SLIDING WINDOW ON BOARD & BATTEN
DIRECT FIXED CLADDING**

Date: 01.04.19

Scale: 1:2

CAD Ref.: FRSLBB-DS2

