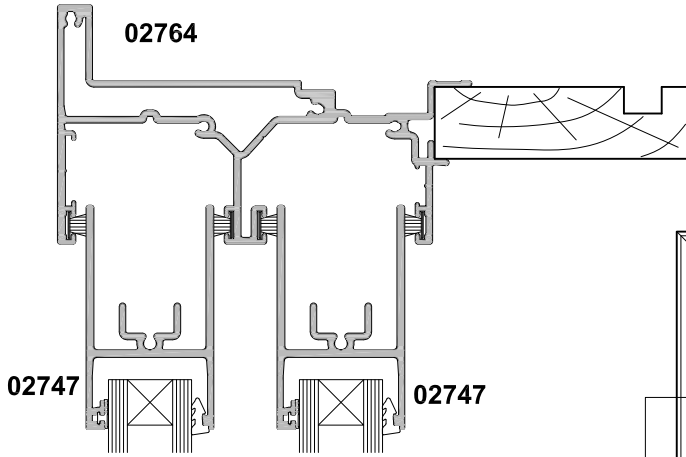
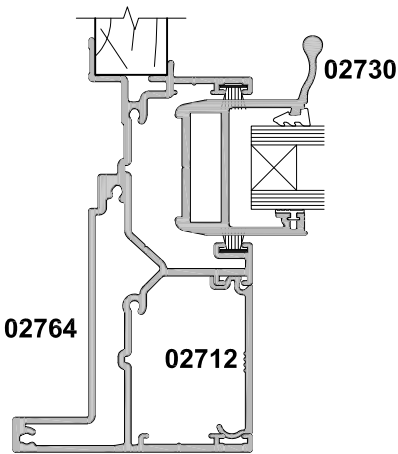
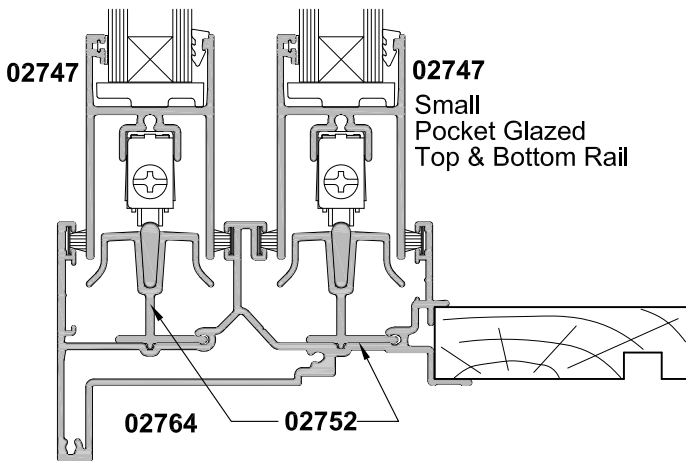
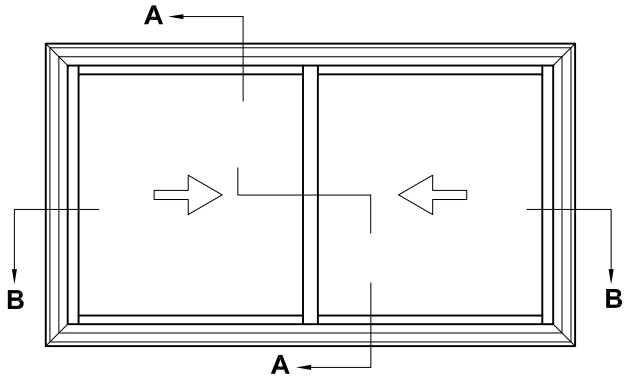


SLIDEMASTER SLIDING WINDOW
SS BYPASS SLIDER
CROSS SECTION

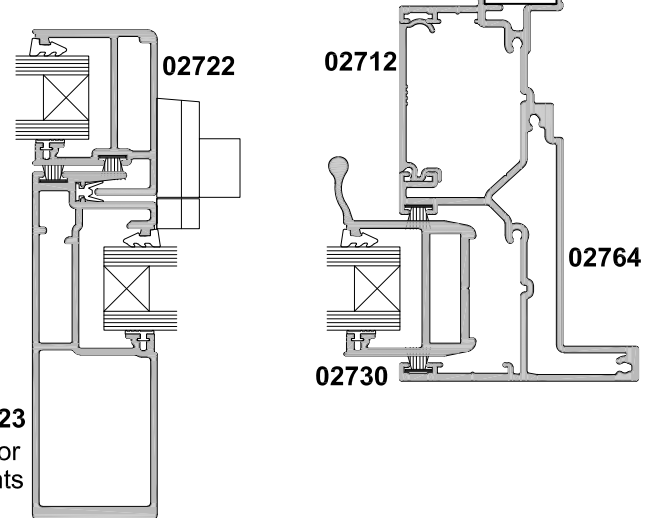
Date 01.04.19 Scale 1:2



SECTION A-A



SECTION B-B



02723
Refer to tables for
span requirements