

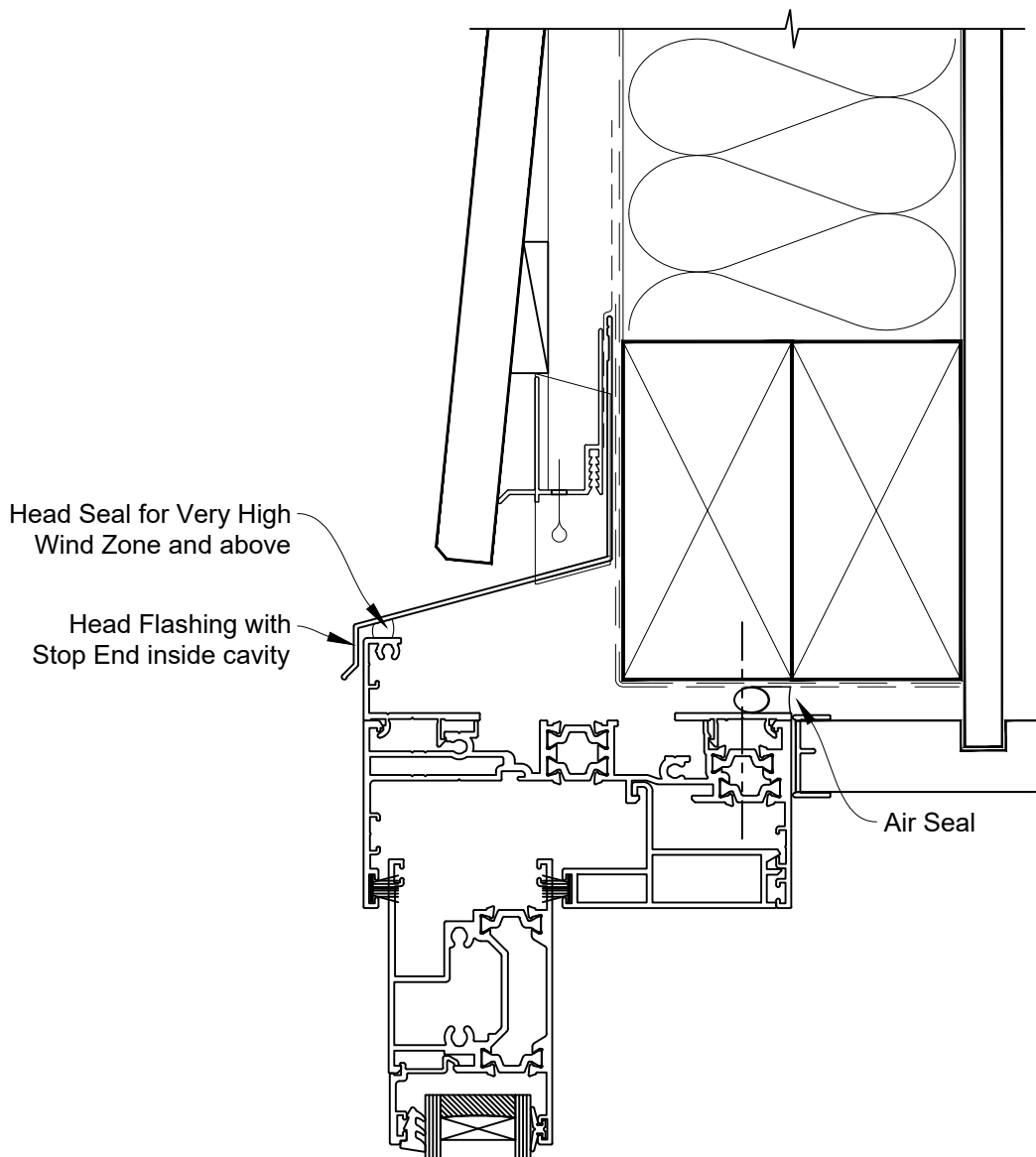


# INSTALLATION DETAIL - ARCHITECTURAL THERMAL HEART 114mm SLIDING DOOR ON BEVELBACK WEATHERBOARD CAVITY CONSTRUCTION

Date: 01.09.23

Scale: 1:2

CAD Ref.: TA114SDBW-CH



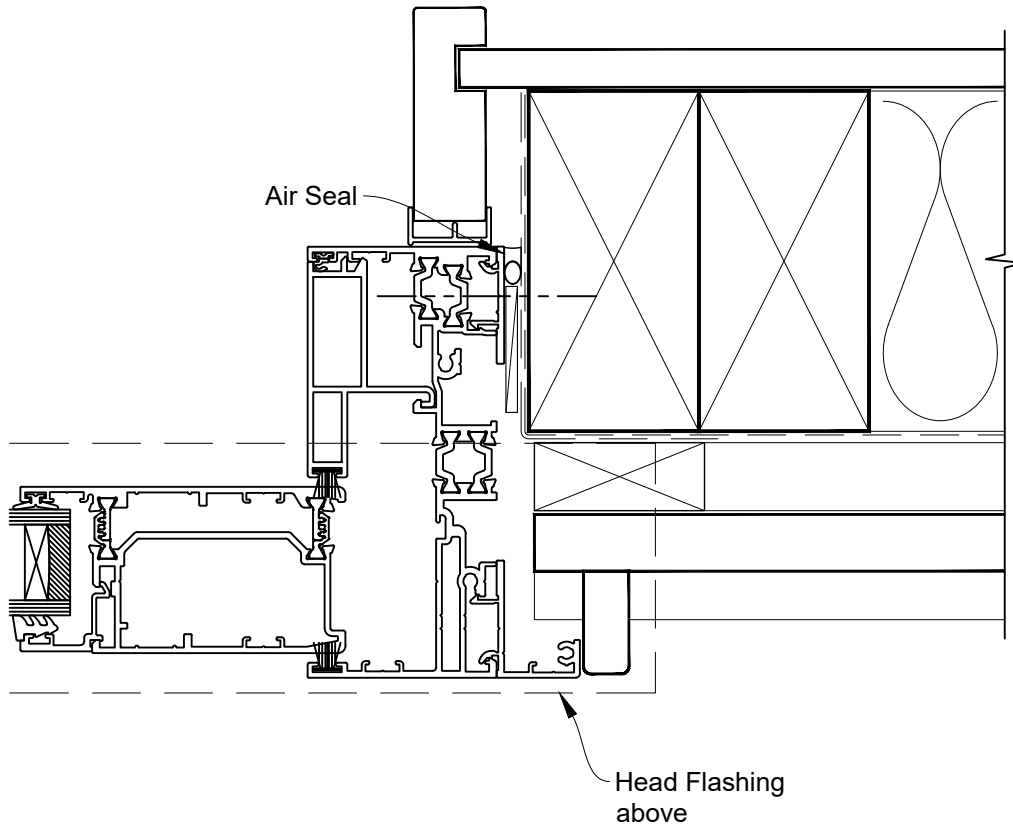


# INSTALLATION DETAIL - ARCHITECTURAL THERMAL HEART 114mm SLIDING DOOR ON BEVELBACK WEATHERBOARD CAVITY CONSTRUCTION

Date: 01.09.23

Scale: 1:2

CAD Ref.: TA114SDBW-CJ





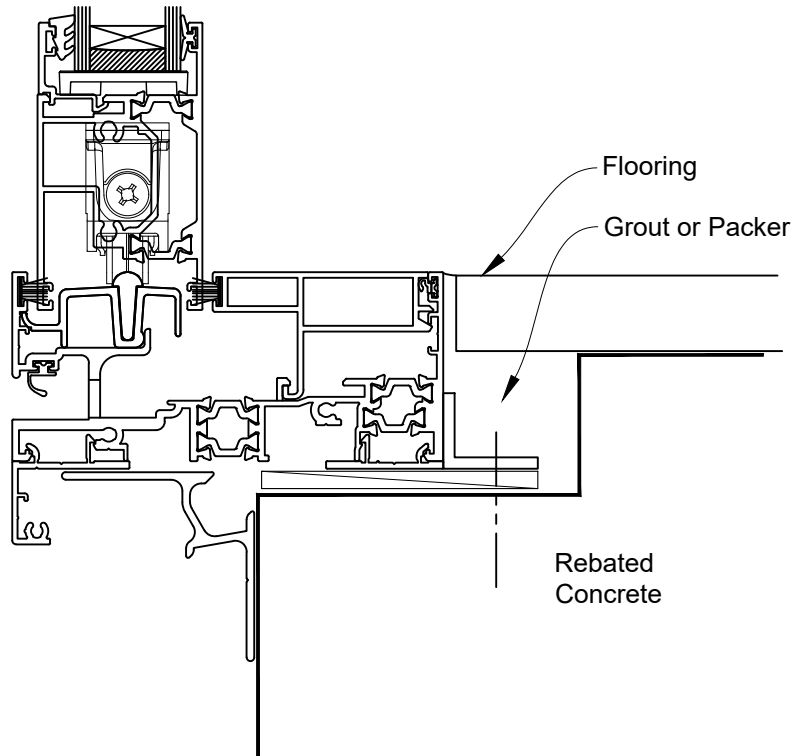
# INSTALLATION DETAIL - ARCHITECTURAL THERMAL HEART 114mm SLIDING DOOR ON BEVELBACK WEATHERBOARD CAVITY CONSTRUCTION

Date: 01.09.23

Scale: 1:2

CAD Ref.: TA114SDBW-CS

## FACING INFILL OPTION



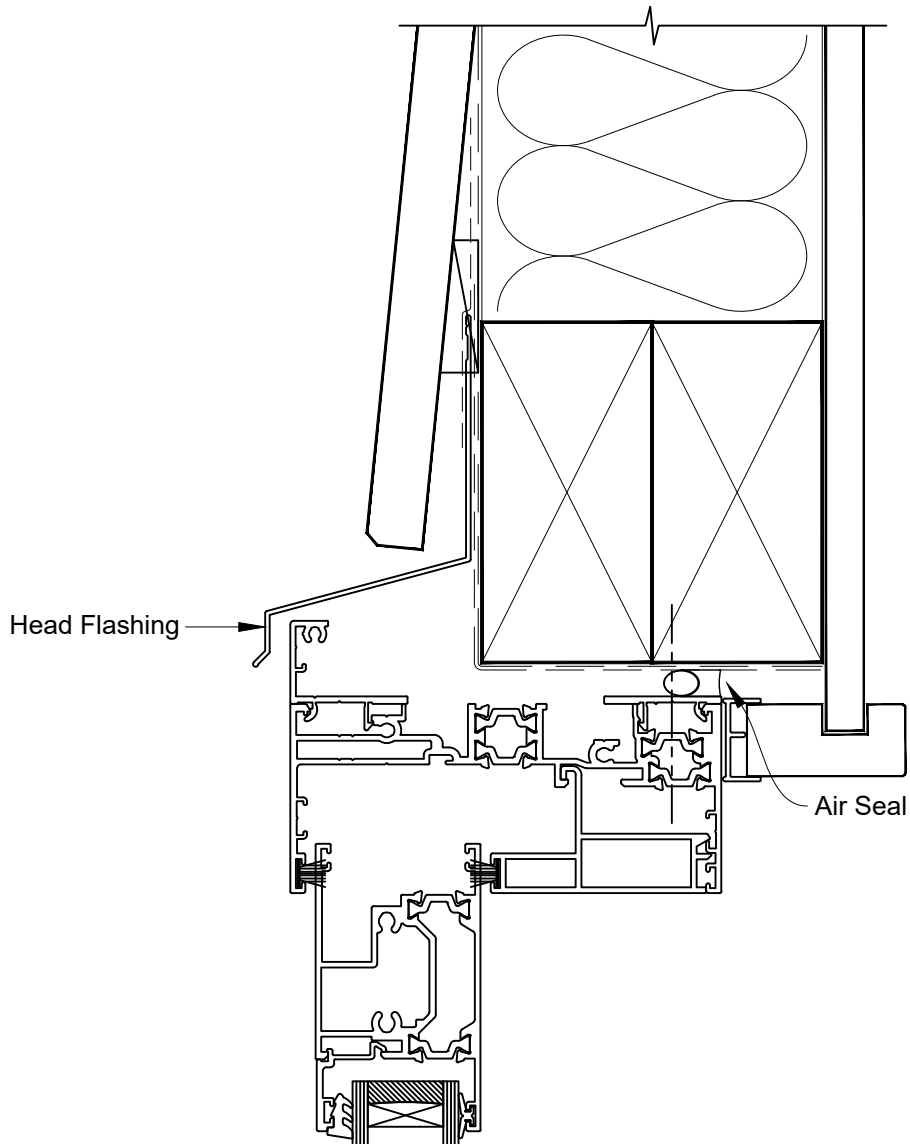


# INSTALLATION DETAIL - ARCHITECTURAL THERMAL HEART 114mm SLIDING DOOR ON BEVELBACK WEATHERBOARD DIRECT FIXED CLADDING

Date: 01.09.23

Scale: 1:2

CAD Ref.: TA114SDBW-DH



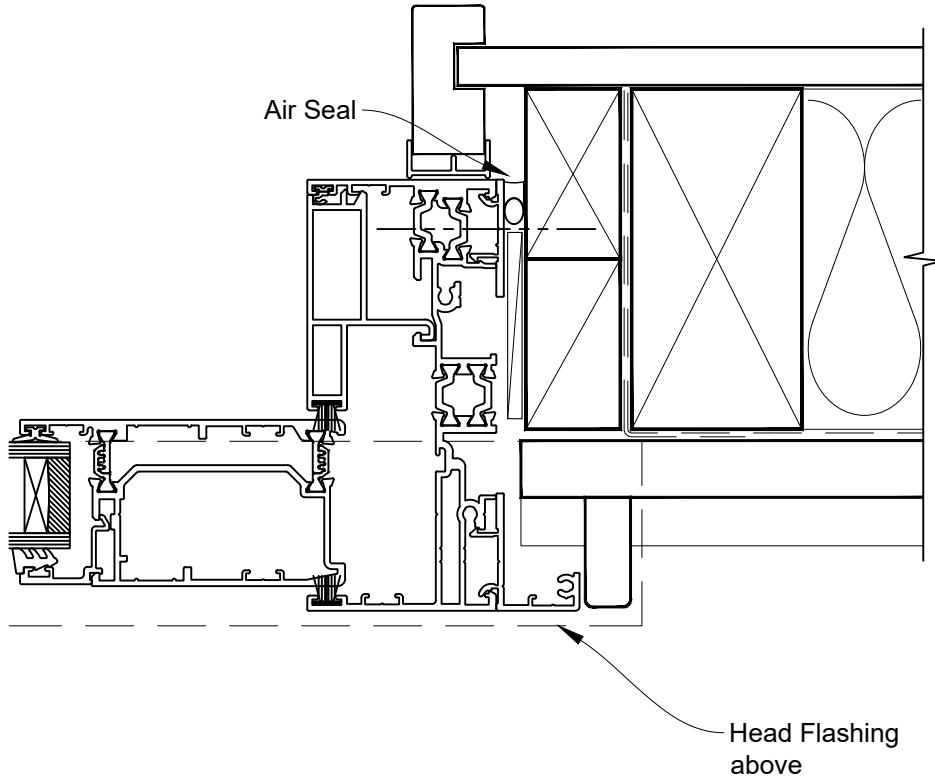


# INSTALLATION DETAIL - ARCHITECTURAL THERMAL HEART 114mm SLIDING DOOR ON BEVELBACK WEATHERBOARD DIRECT FIXED CLADDING

Date: 01.09.23

Scale: 1:2

CAD Ref.: TA114SDBW-DJ





# INSTALLATION DETAIL - ARCHITECTURAL THERMAL HEART 114mm SLIDING DOOR ON BEVELBACK WEATHERBOARD DIRECT FIXED CLADDING

Date: 01.09.23

Scale: 1:2

CAD Ref.: TA114SDBW-DS

## FACING INFILL OPTION

