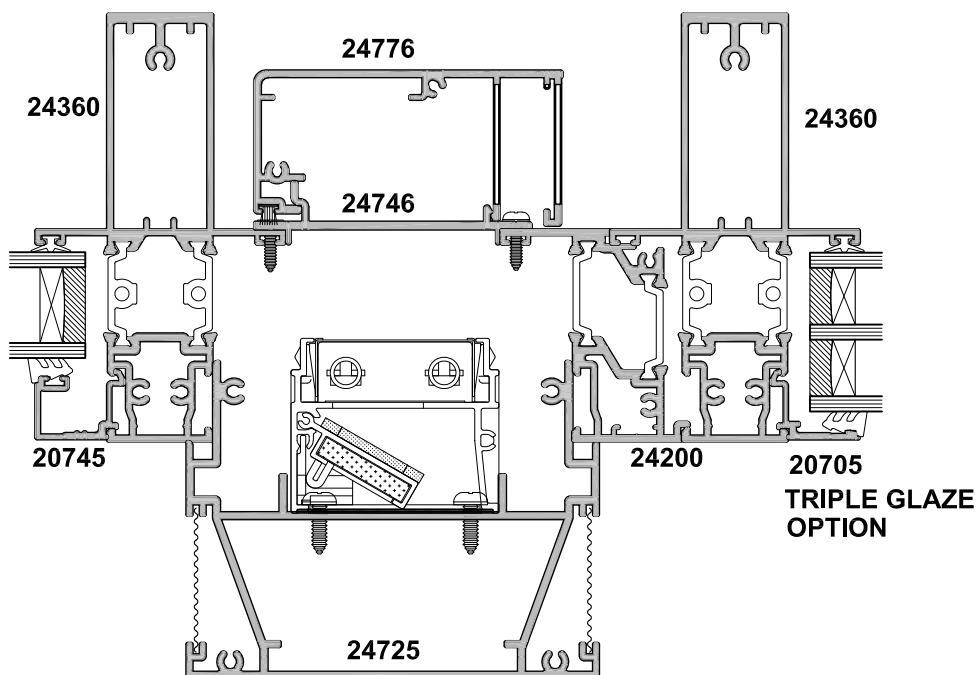


**VENTIENT AT JAMB AND STANDARD MULLION**



**VENTIENT BETWEEN MULLIONS**