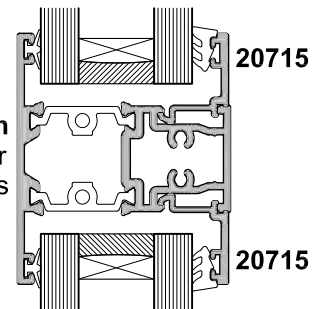
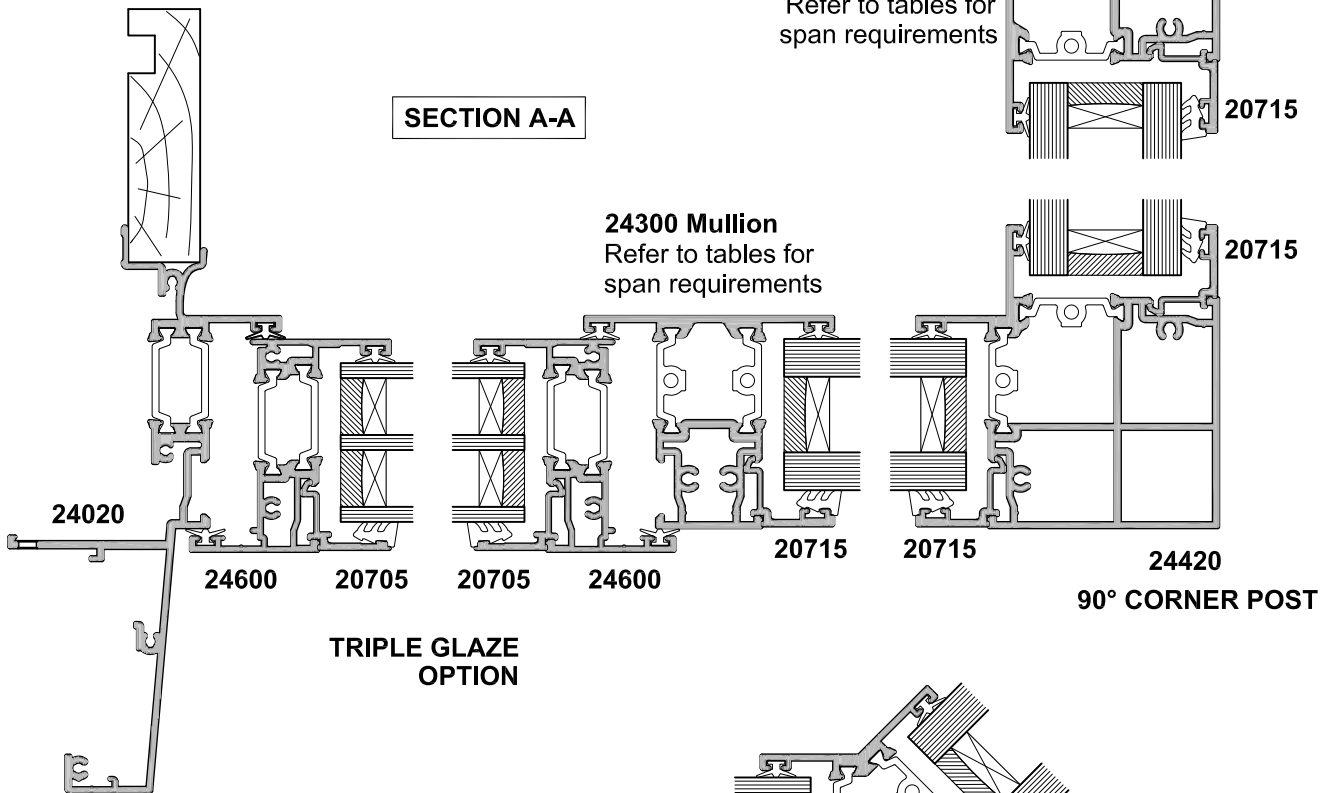
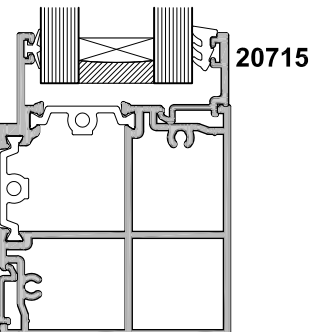


SECTION A-A

24300 Mullion
Refer to tables for span requirements

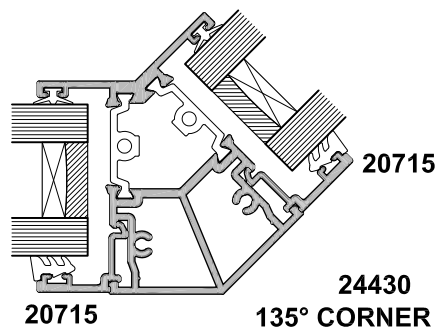


24300 Mullion
Refer to tables for span requirements



90° CORNER POST

TRIPLE GLAZE OPTION



**24430
135° CORNER POST**