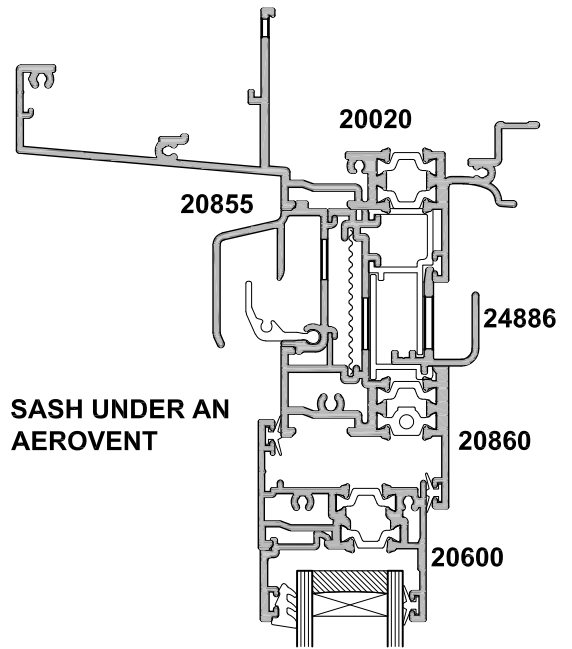
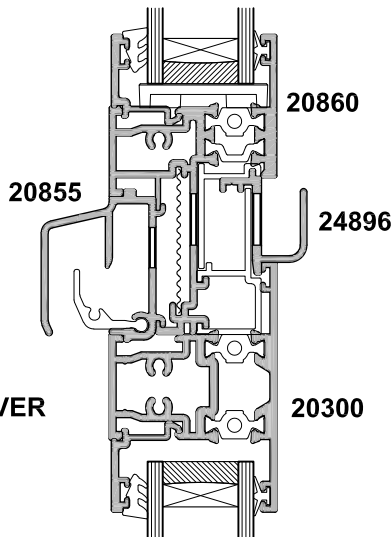


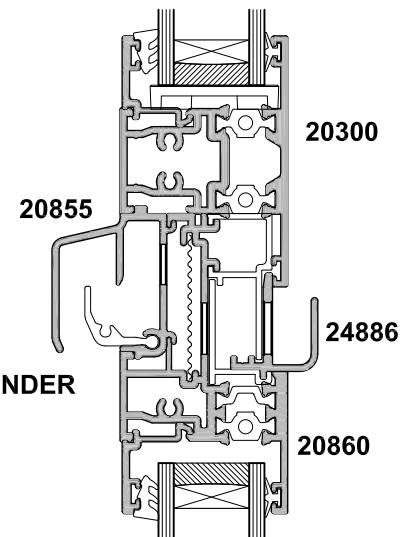
AEROVENT AT THE HEAD



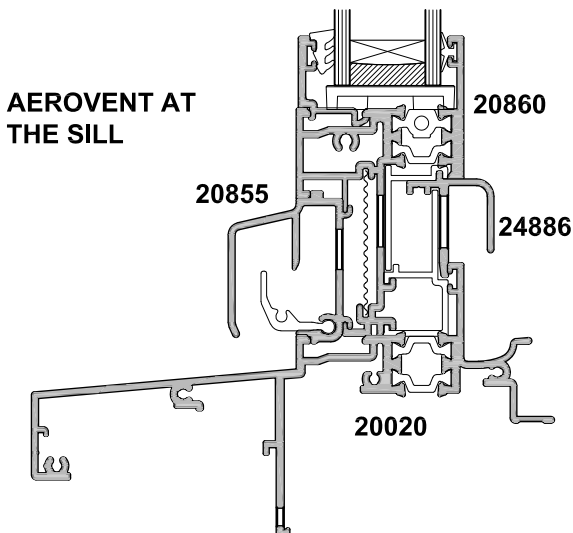
SASH UNDER AN AEROVENT



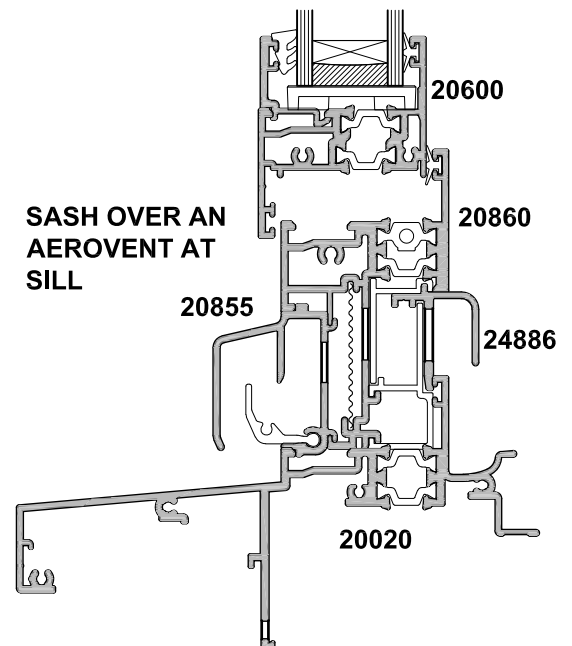
AEROVENT OVER A TRANSOM



AEROVENT UNDER A TRANSOM



AEROVENT AT THE SILL



SASH OVER AN AEROVENT AT SILL