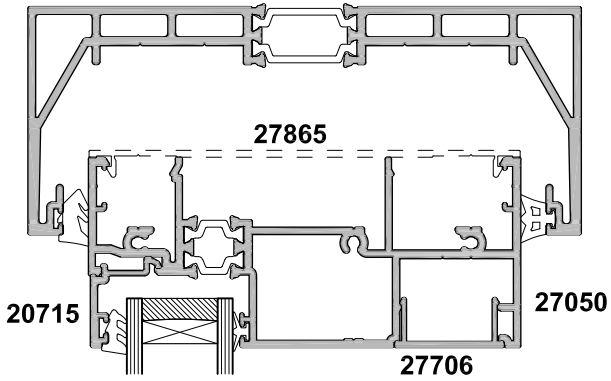
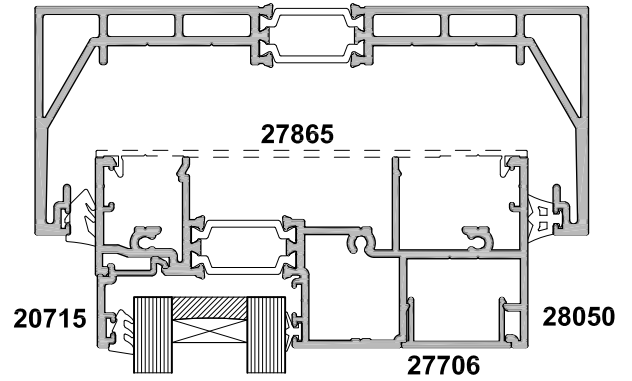


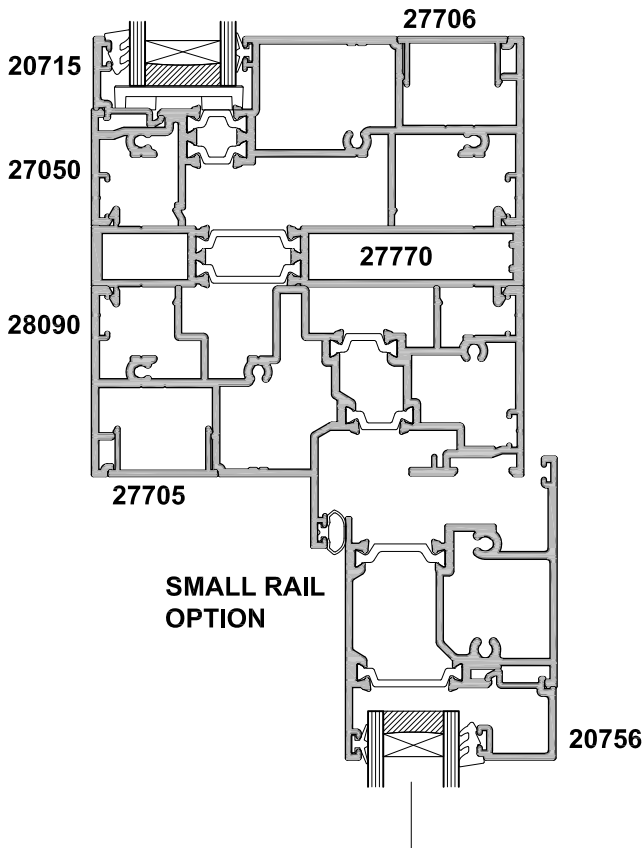
**31010  
SEISMIC HEAD**



**31010  
SEISMIC HEAD**



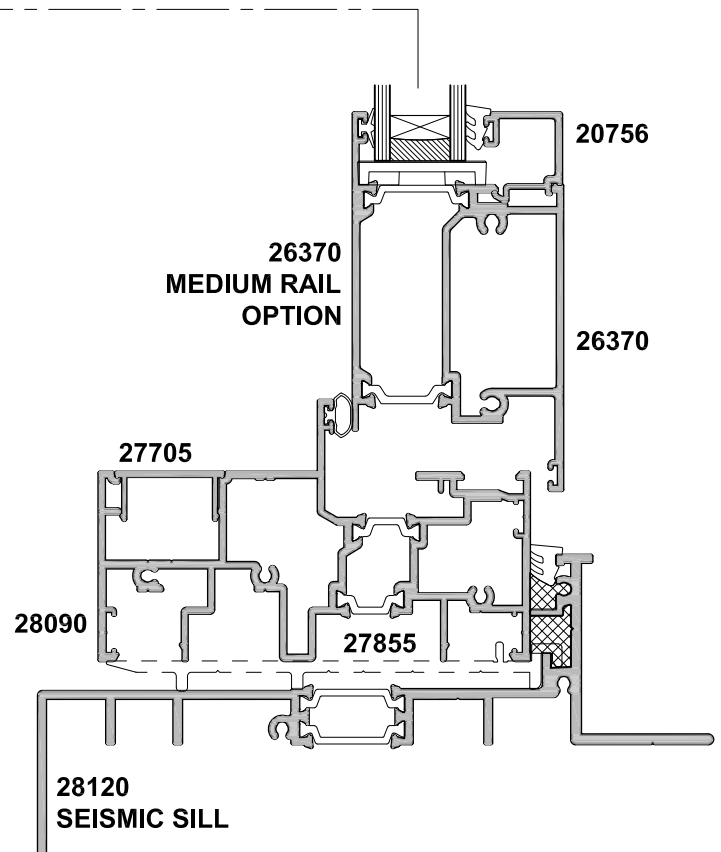
**44mm WINDOW  
PLATFORM OPTION**



**SMALL RAIL  
OPTION**

**SECTION A-A**

**56mm WINDOW  
PLATFORM OPTION**



**26370  
MEDIUM RAIL  
OPTION**

**28120  
SEISMIC SILL**