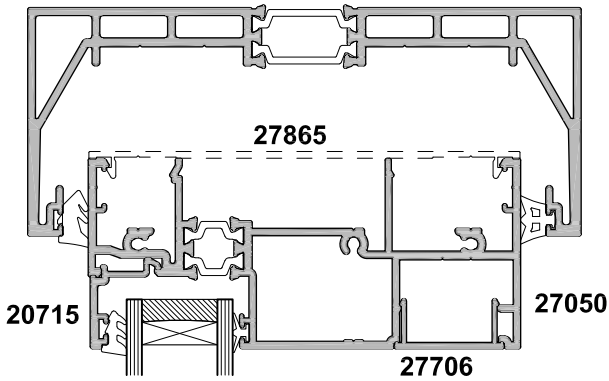
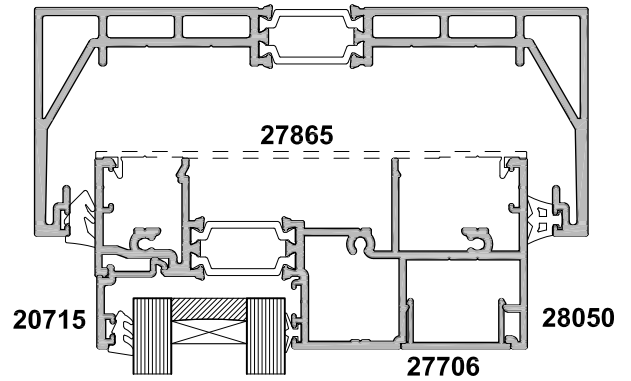


**31010
SEISMIC HEAD**

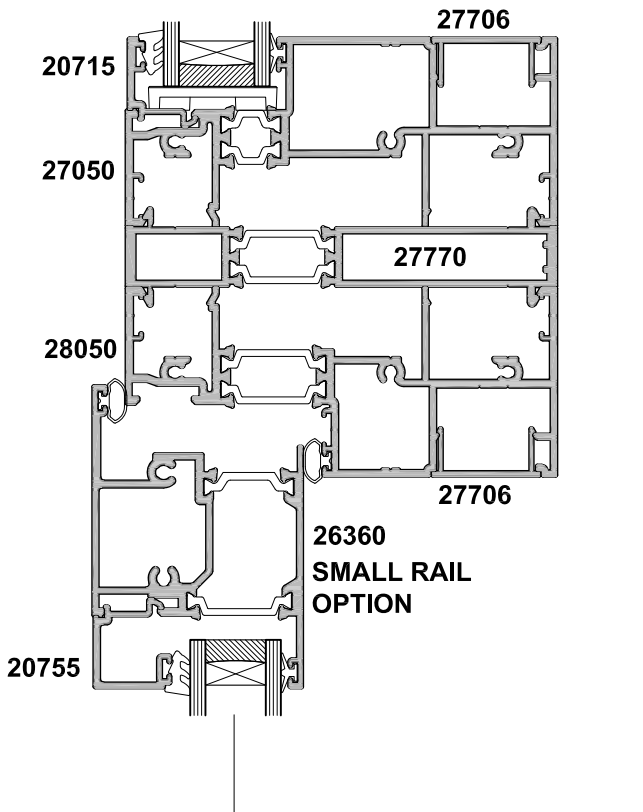


**44mm WINDOW
PLATFORM OPTION**

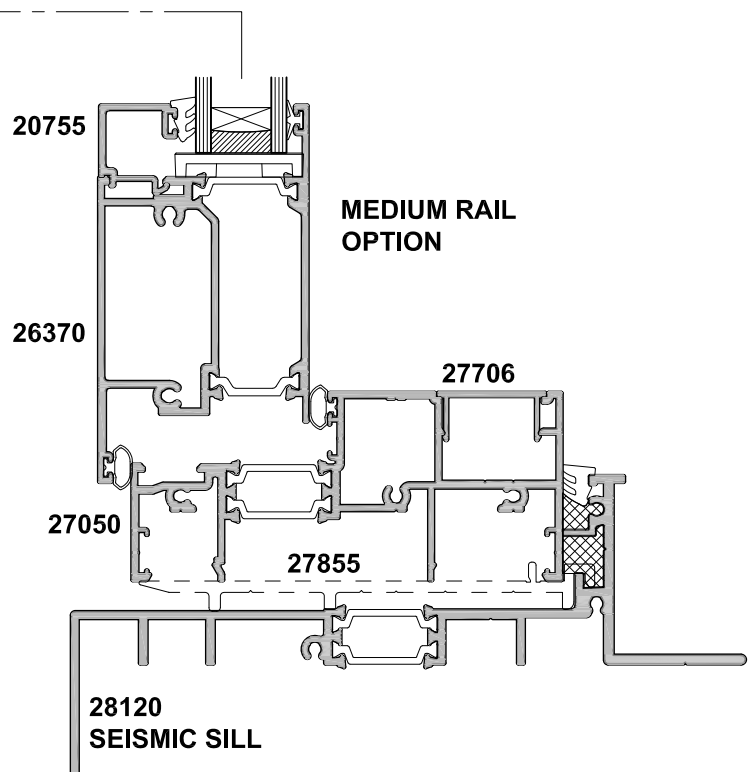
**31010
SEISMIC HEAD**



**56mm WINDOW
PLATFORM OPTION**



SECTION A-A



**MEDIUM RAIL
OPTION**

**28120
SEISMIC SILL**