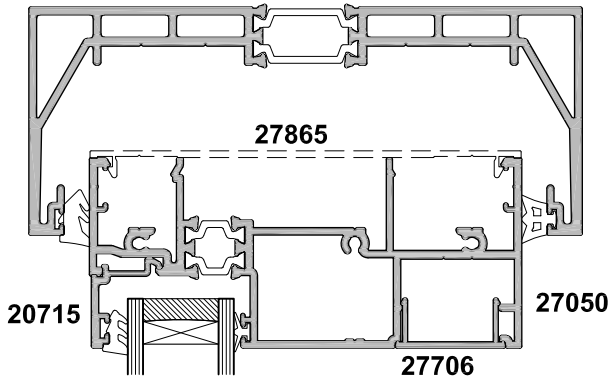
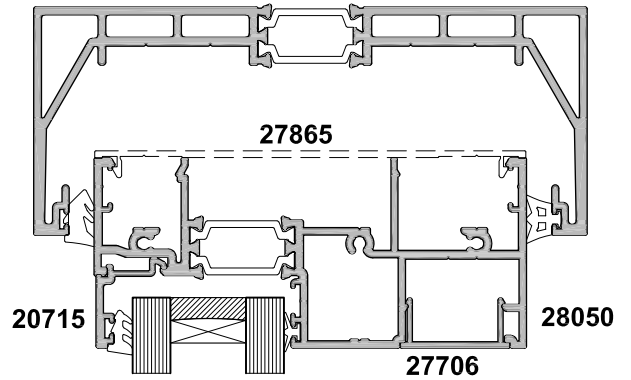


**31010
SEISMIC HEAD**

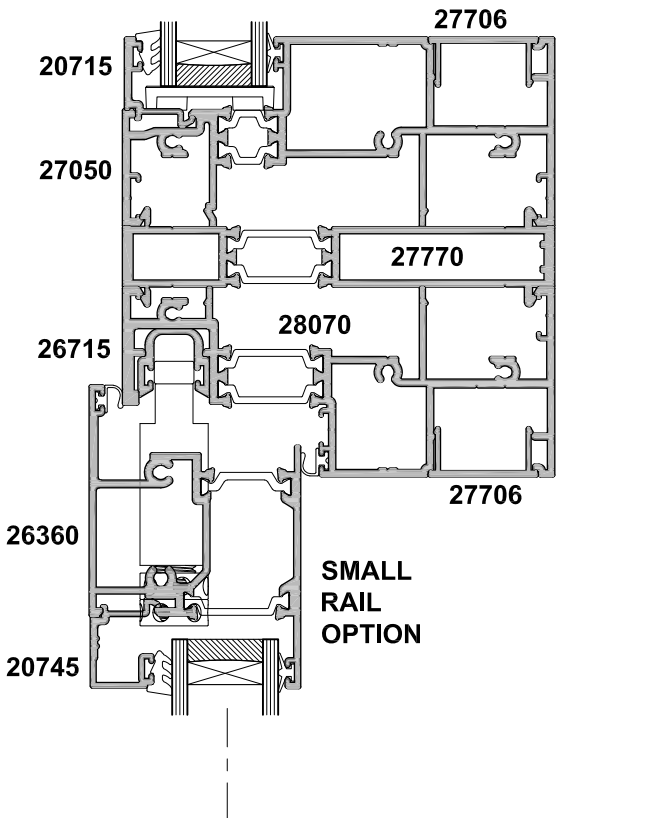


**44mm WINDOW
PLATFORM OPTION**

**31010
SEISMIC HEAD**

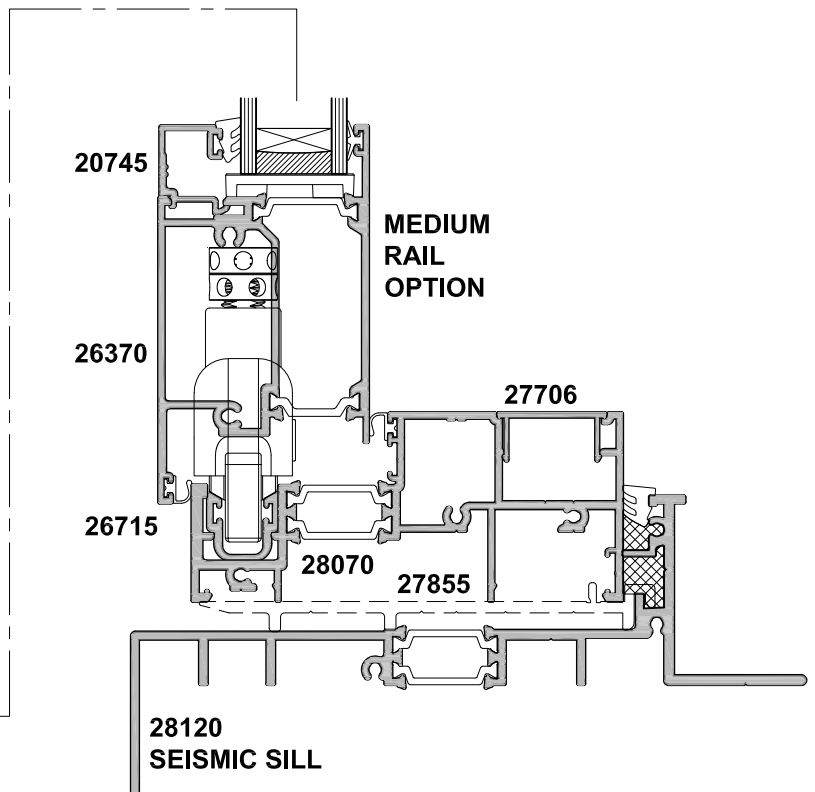


**56mm WINDOW
PLATFORM OPTION**



**SMALL
RAIL
OPTION**

SECTION A-A



**MEDIUM
RAIL
OPTION**

**28120
SEISMIC SILL**