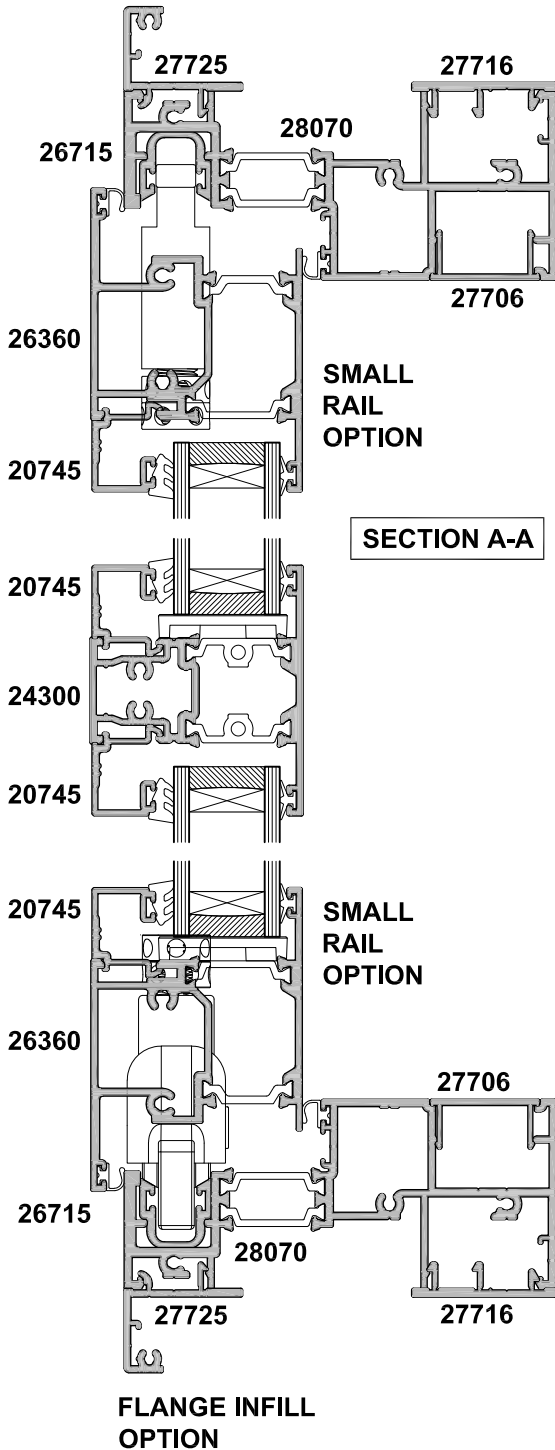
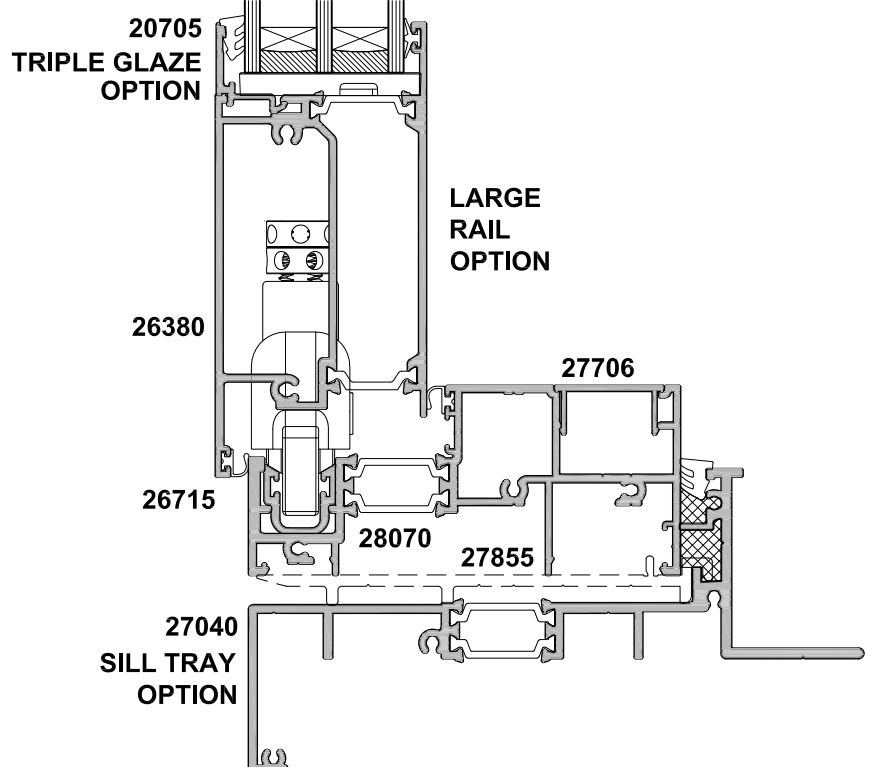
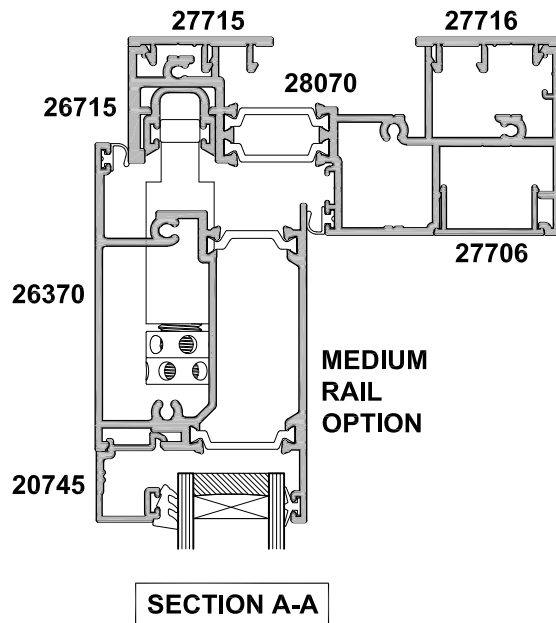


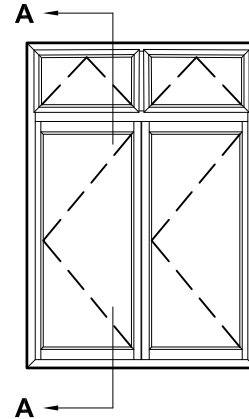
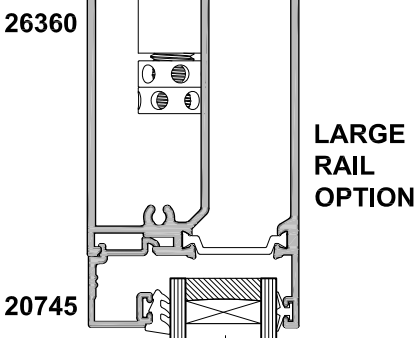
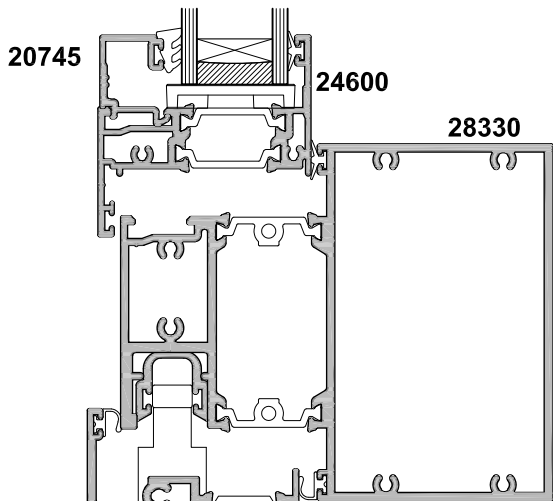
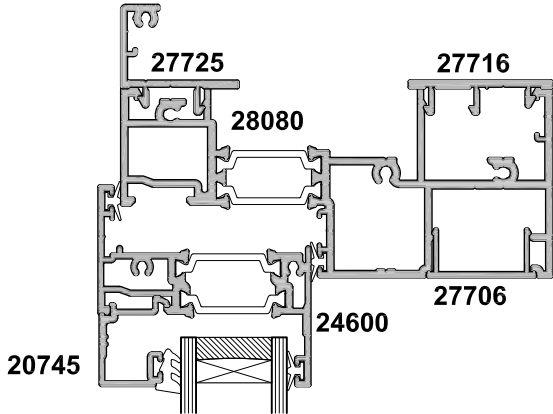
**FLANGE INFILL  
OPTION**



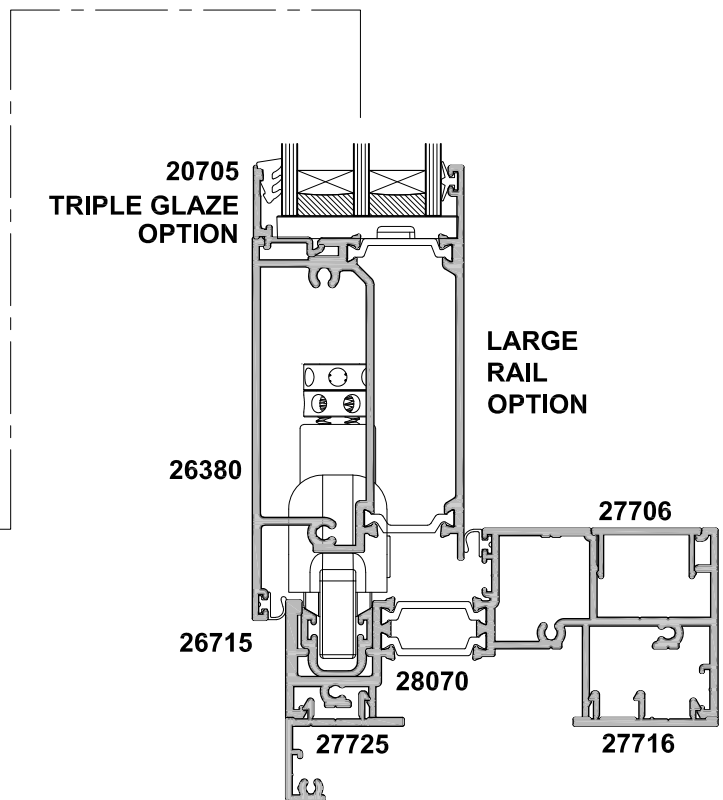
**FLAT INFILL OPTION**



**FLANGE INFILL  
OPTION**

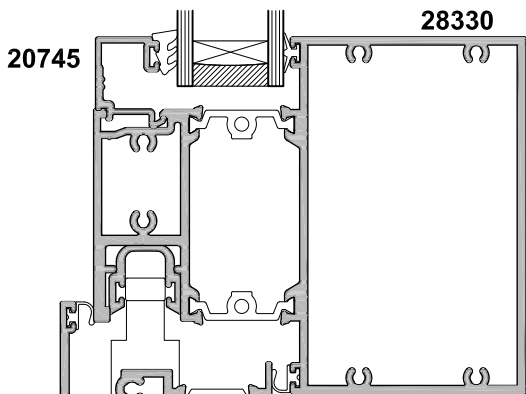
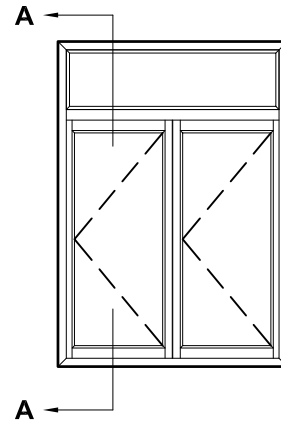
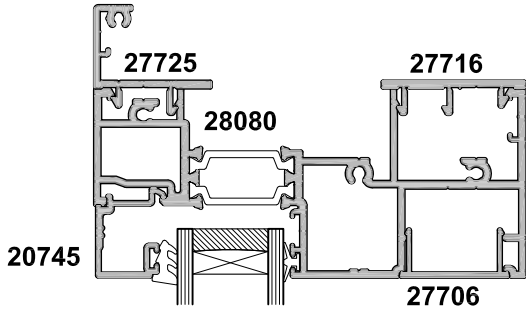


**SECTION A-A**

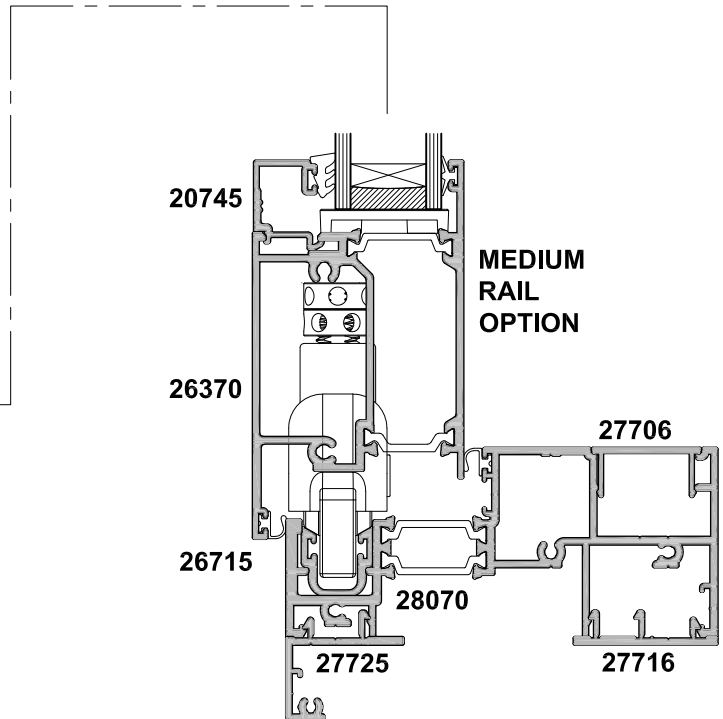


**FLANGE INFILL  
OPTION**

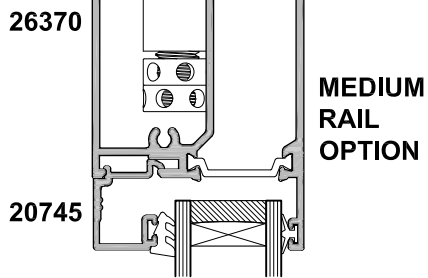
**FLANGE INFILL  
OPTION**

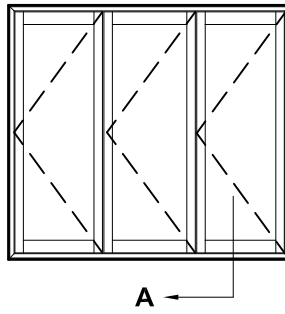


**SECTION A-A**

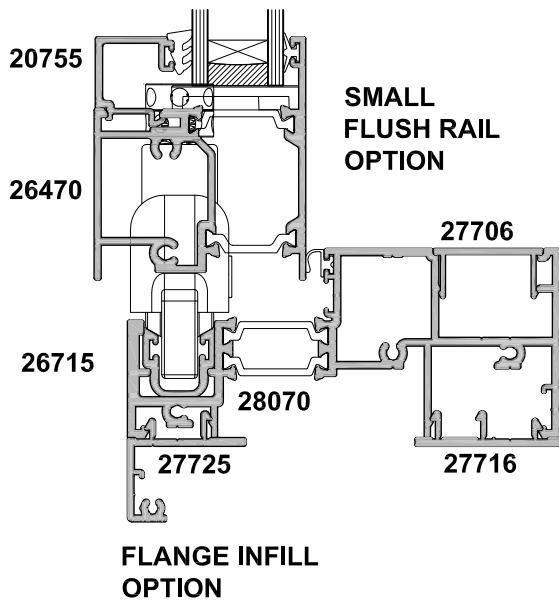


**FLANGE INFILL  
OPTION**

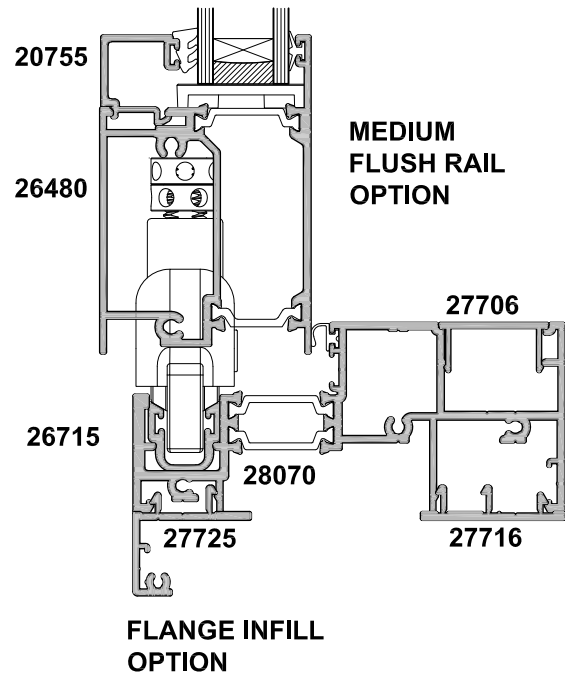


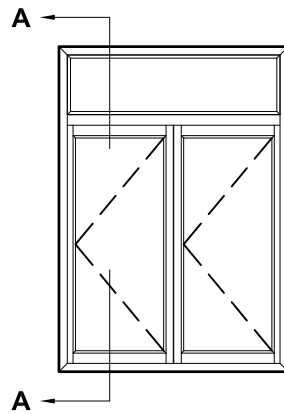


**SECTION A-A**

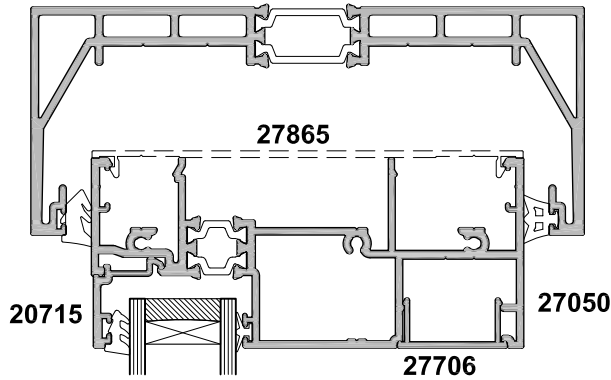


**SECTION A-A**



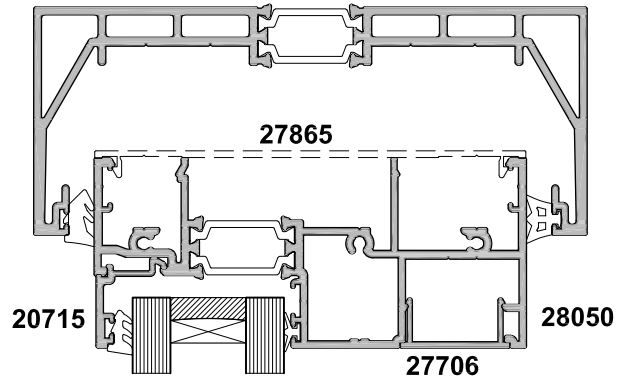


**31010  
SEISMIC HEAD**

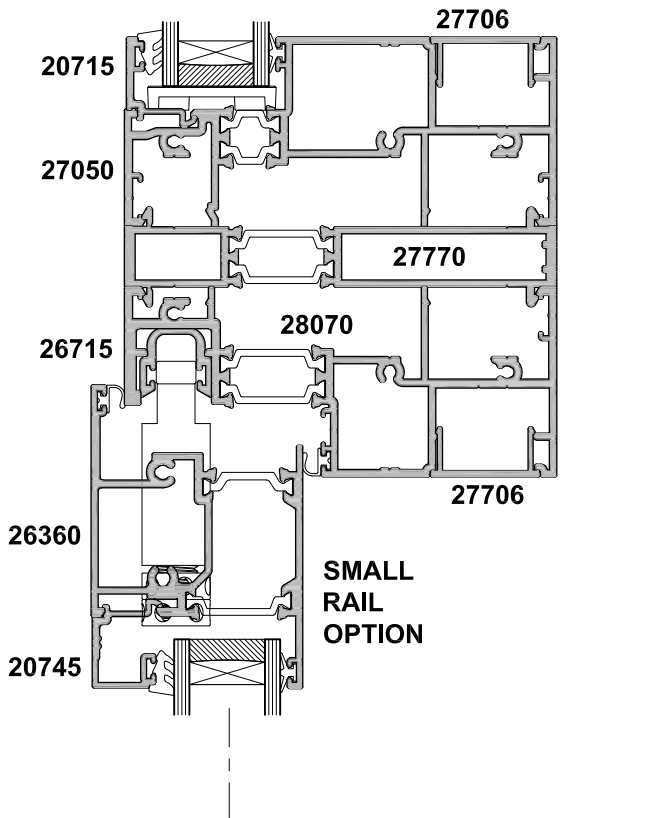


**44mm WINDOW  
PLATFORM OPTION**

**31010  
SEISMIC HEAD**

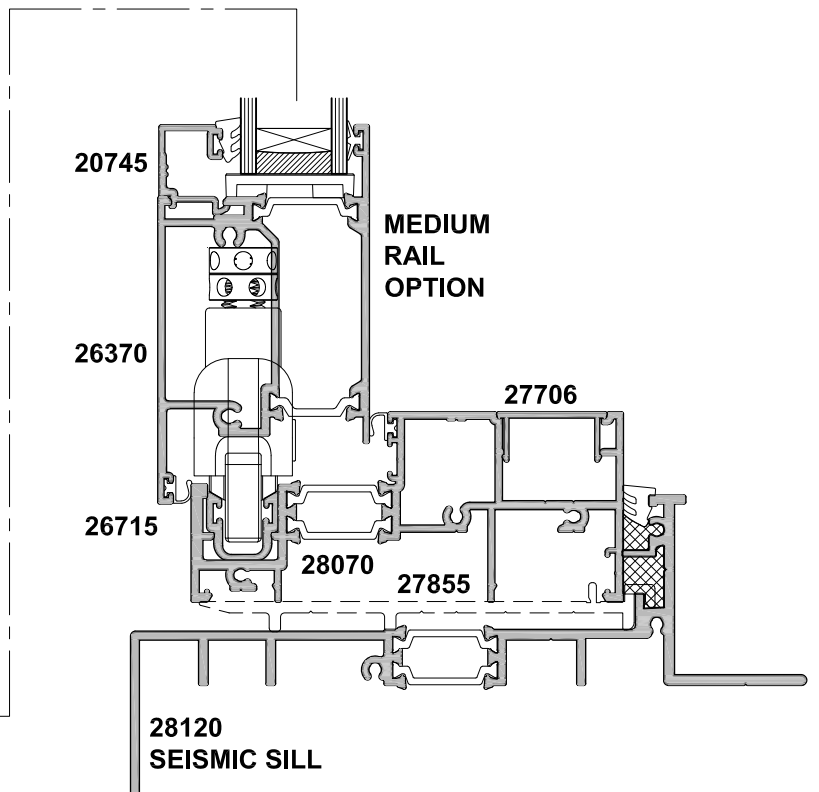


**56mm WINDOW  
PLATFORM OPTION**



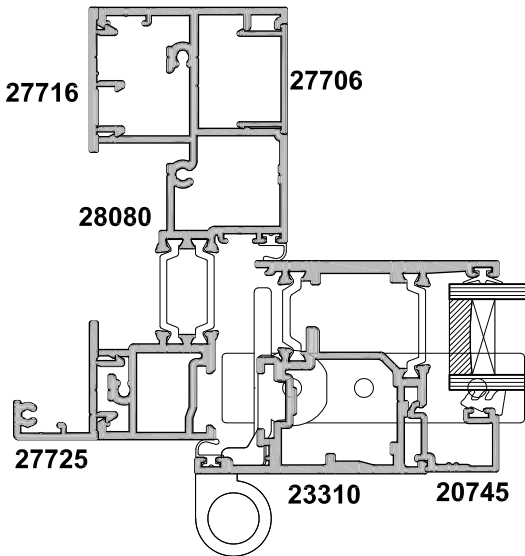
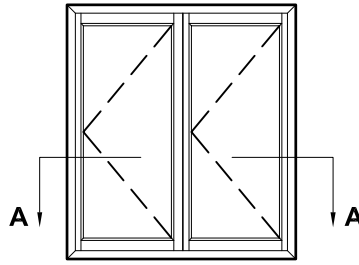
**SMALL  
RAIL  
OPTION**

**SECTION A-A**



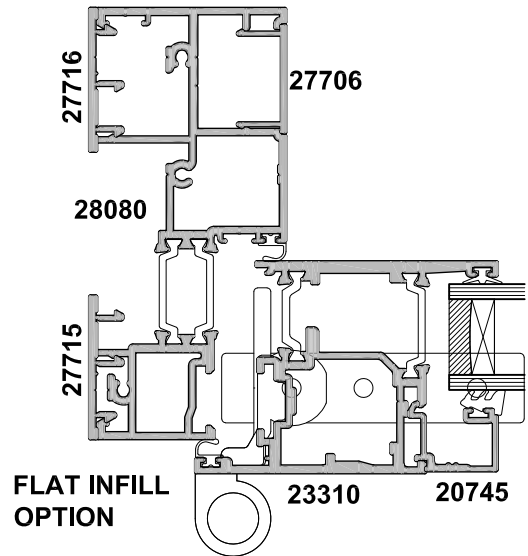
**MEDIUM  
RAIL  
OPTION**

**28120  
SEISMIC SILL**

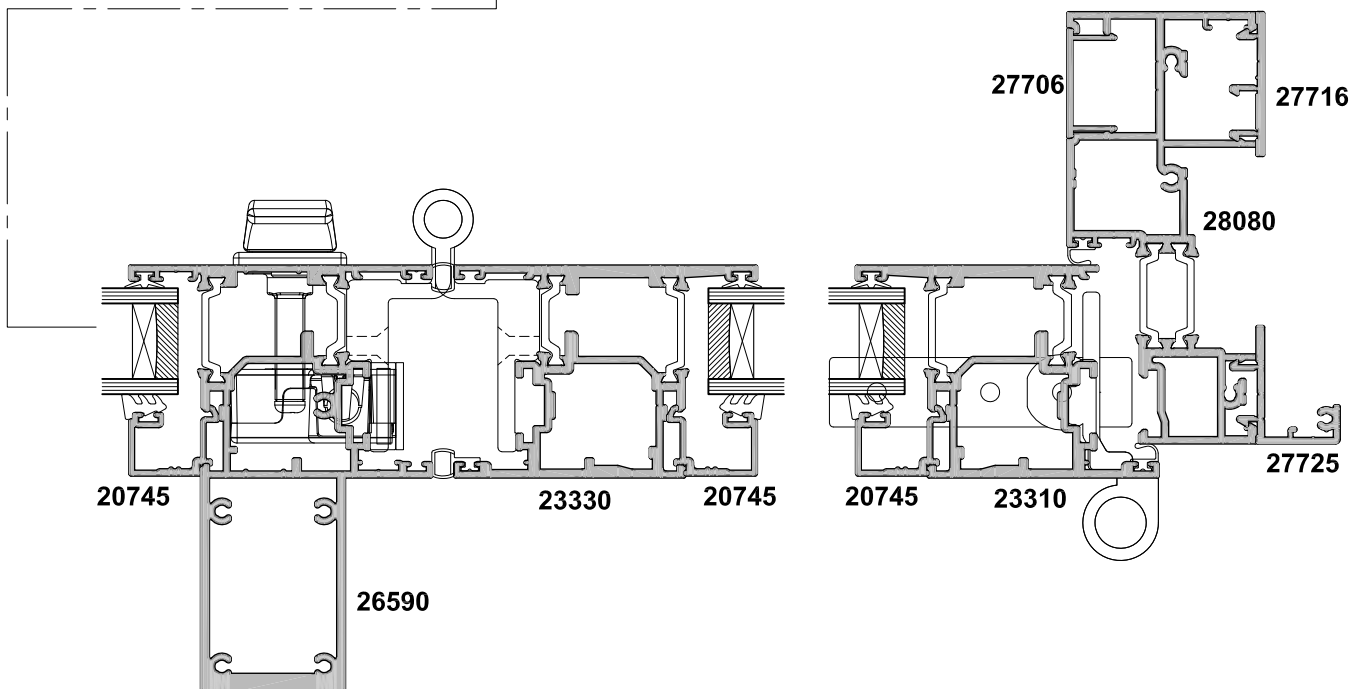


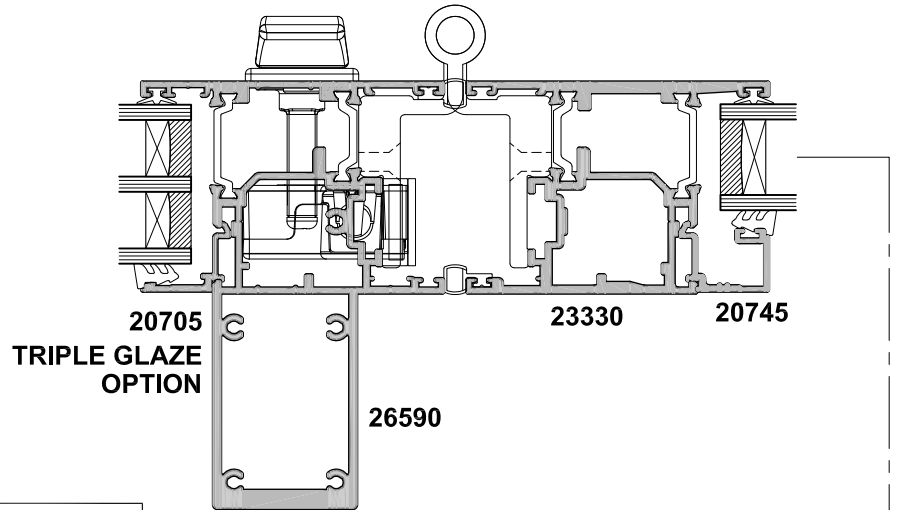
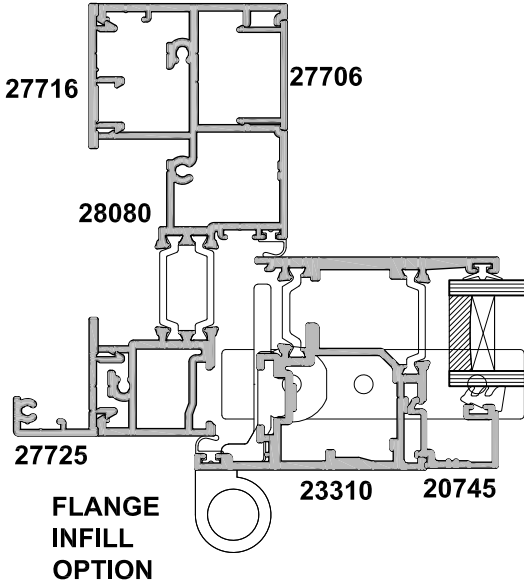
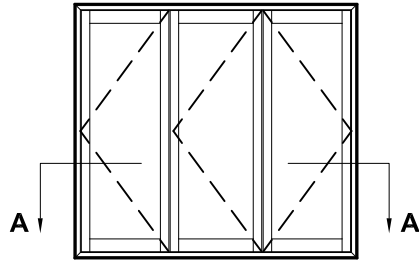
FLANGE INFILL  
OPTION

SECTION A-A

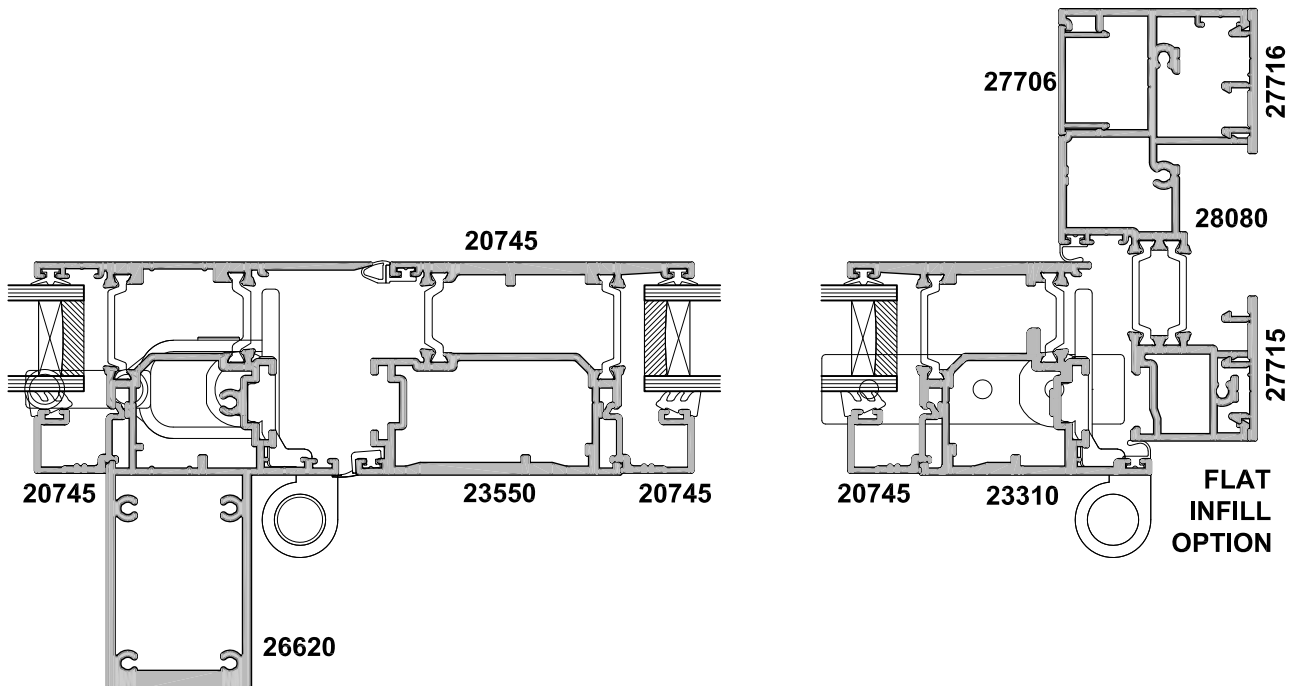


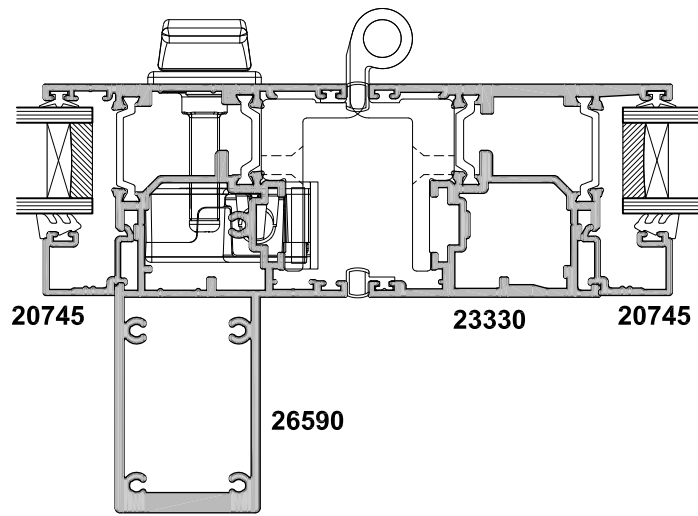
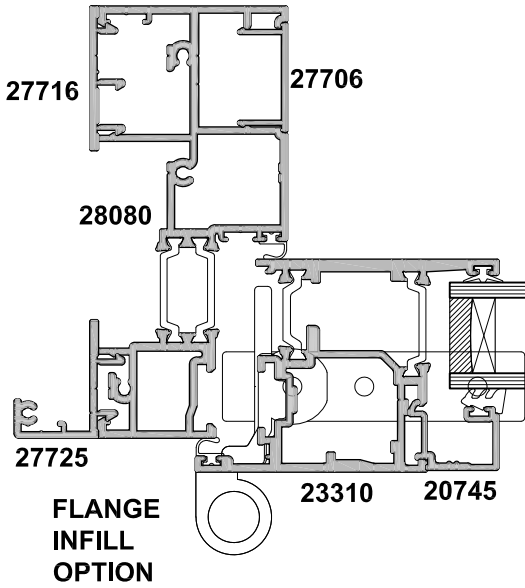
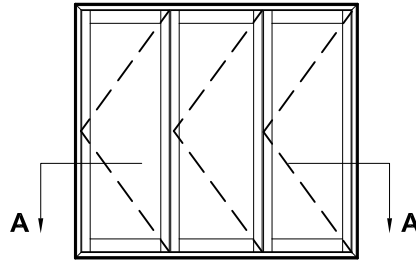
FLAT INFILL  
OPTION





SECTION A-A





SECTION A-A

