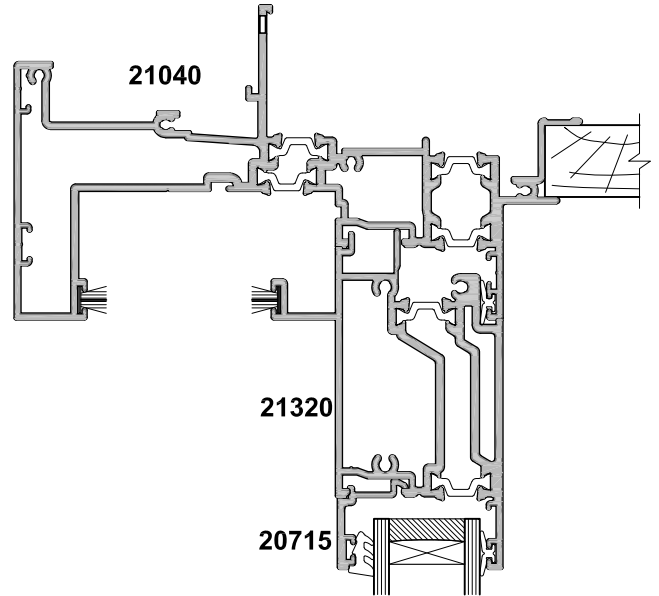
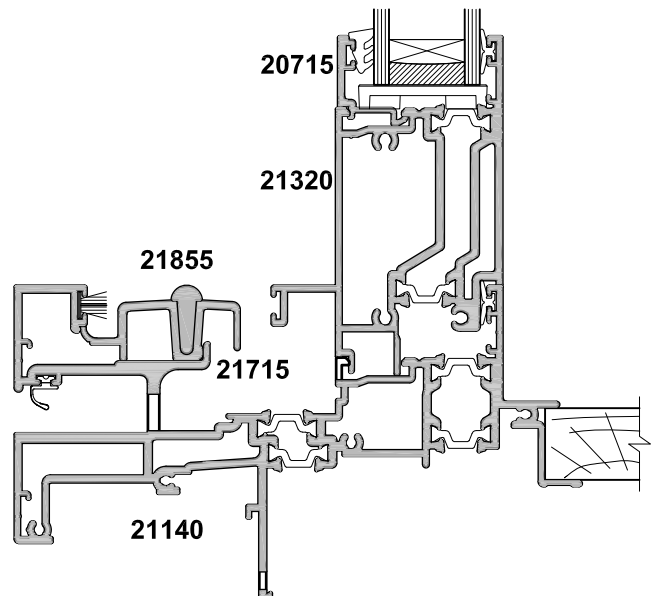
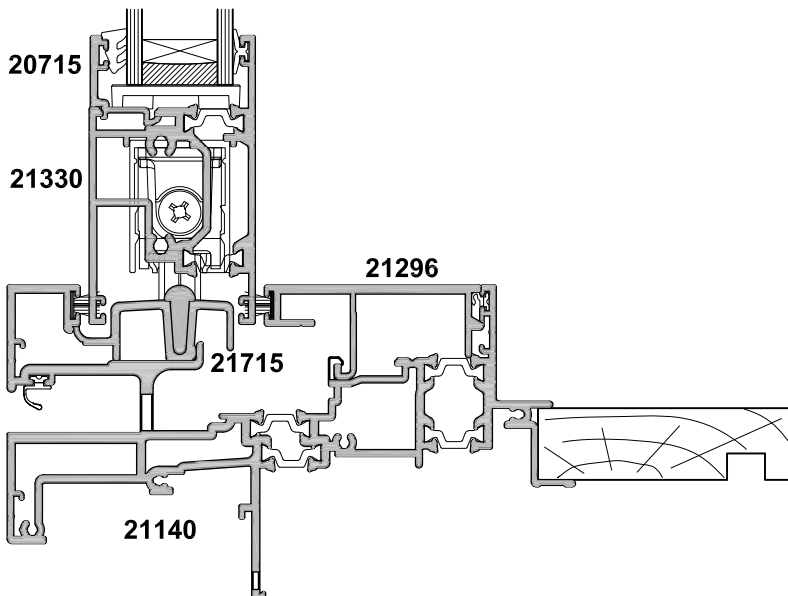
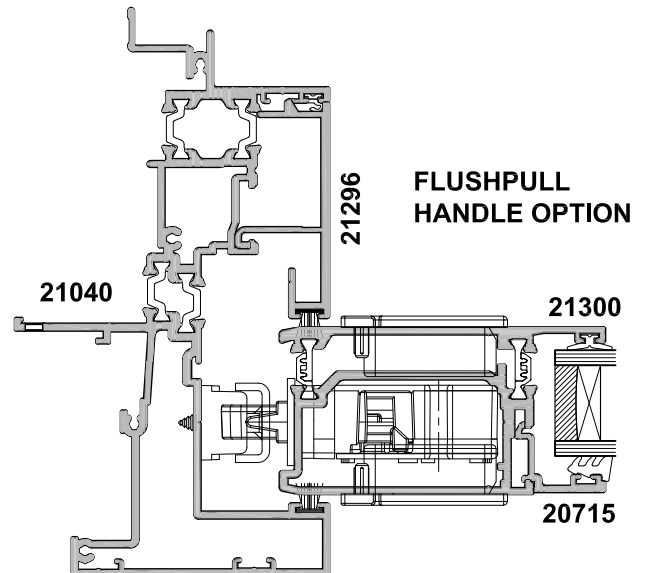
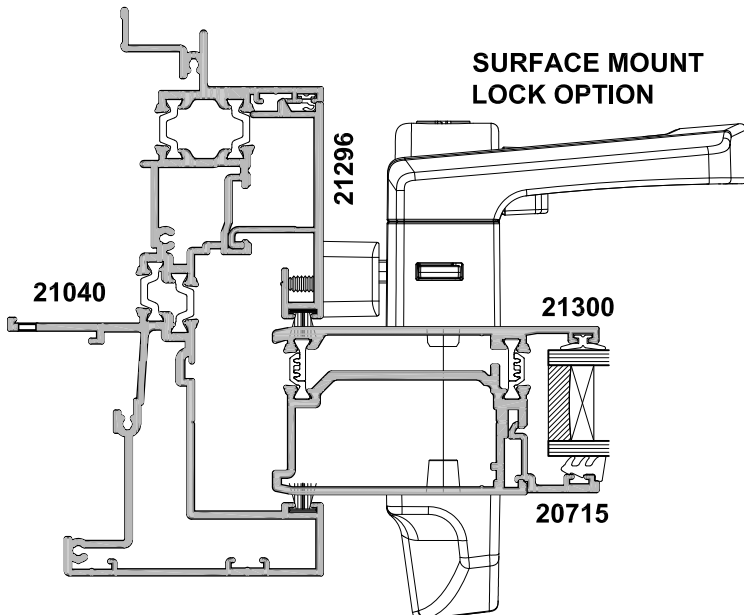
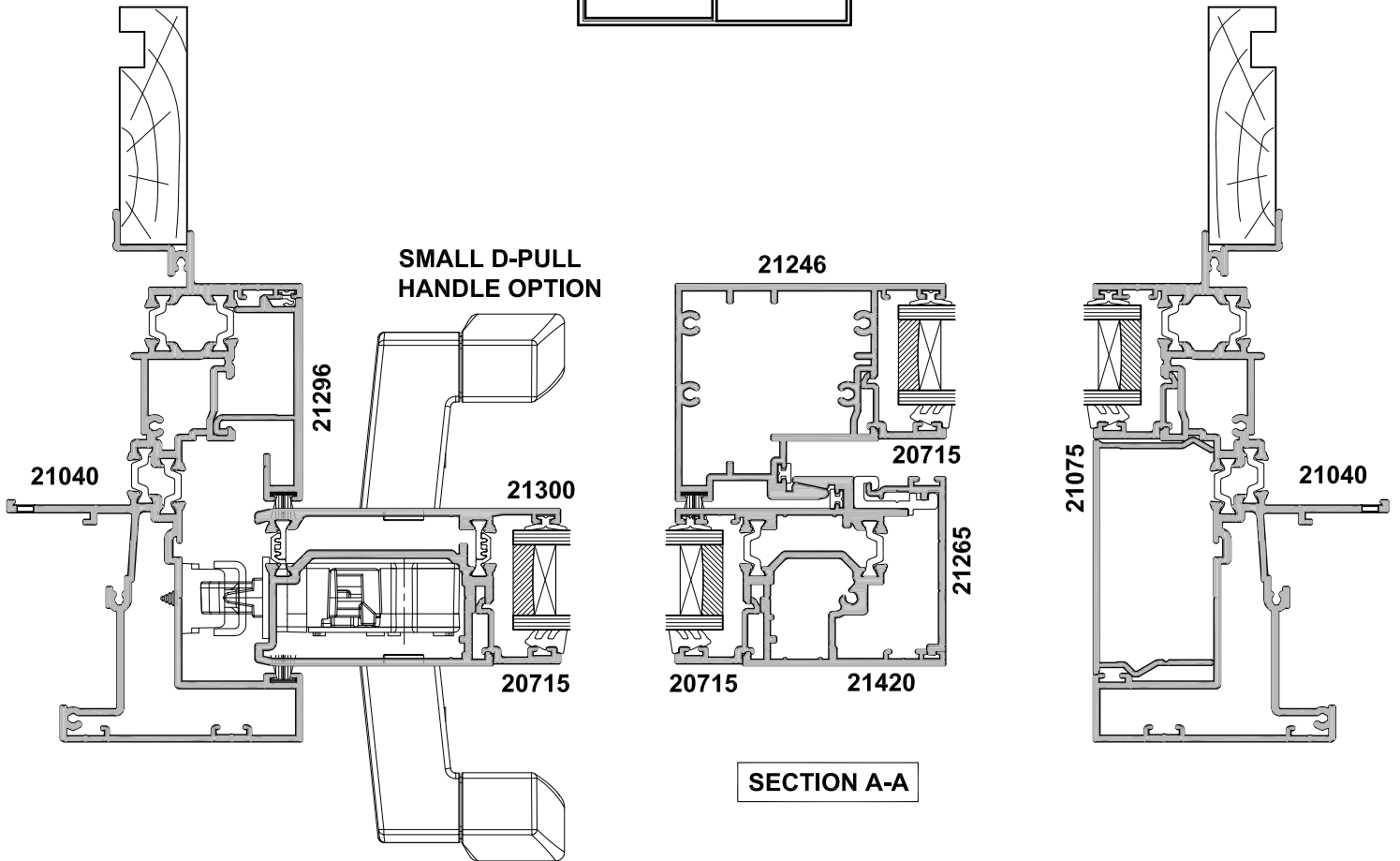
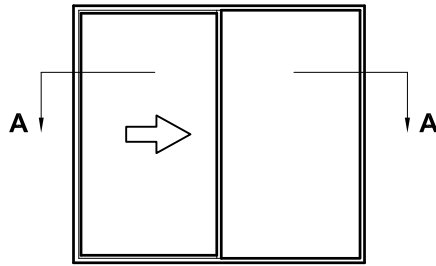


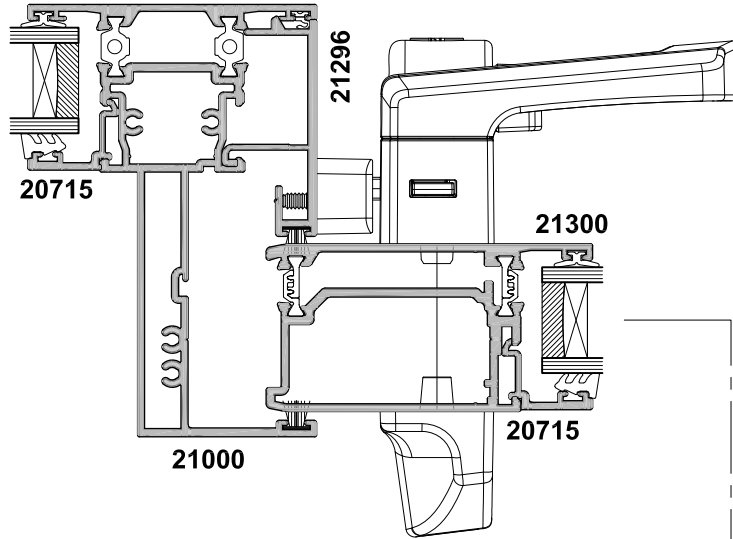
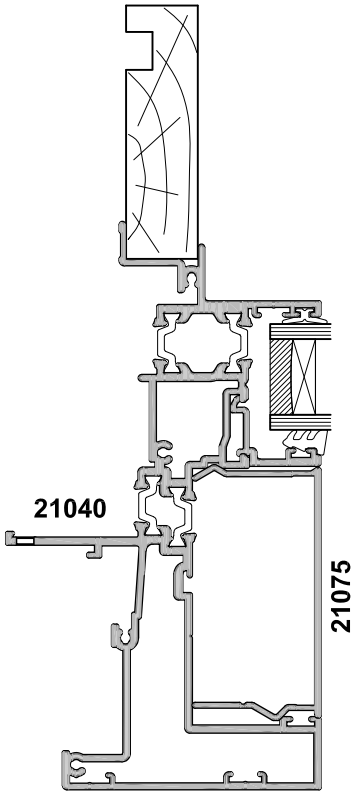
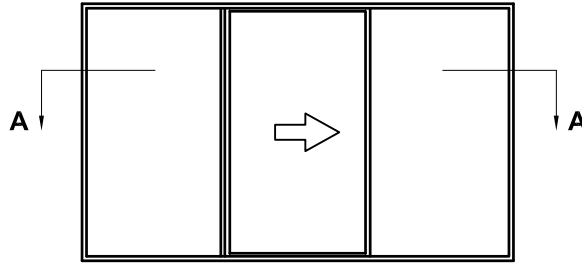
SECTION A-A



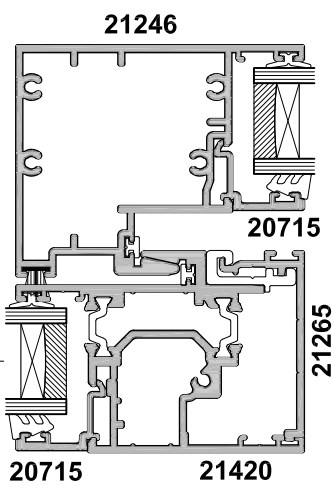
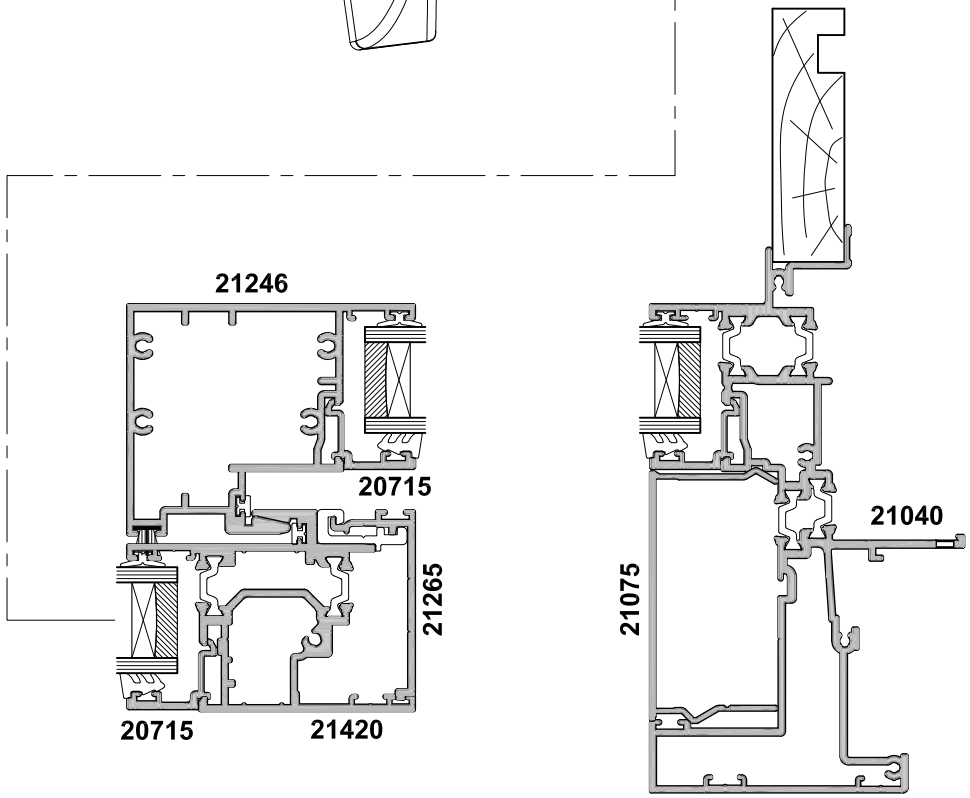
SECTION B-B

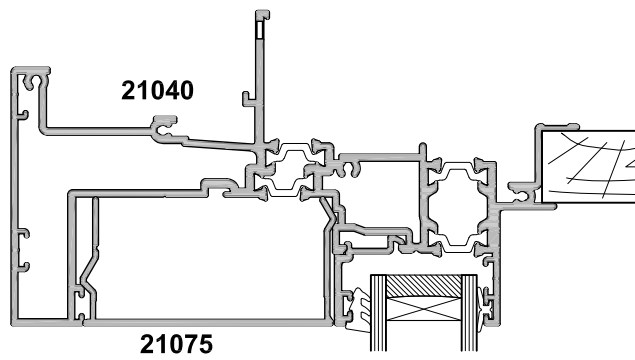
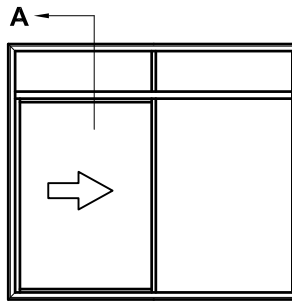




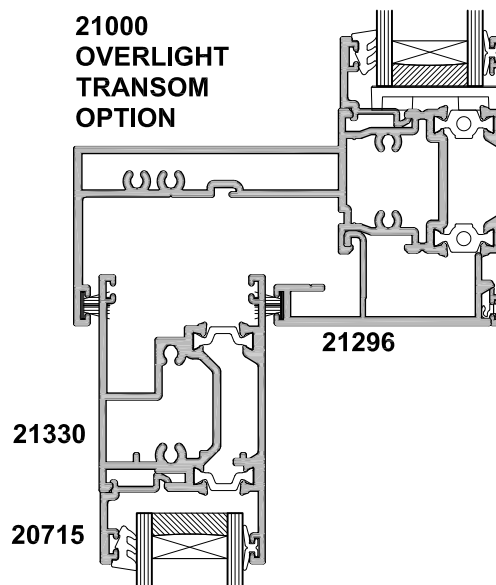


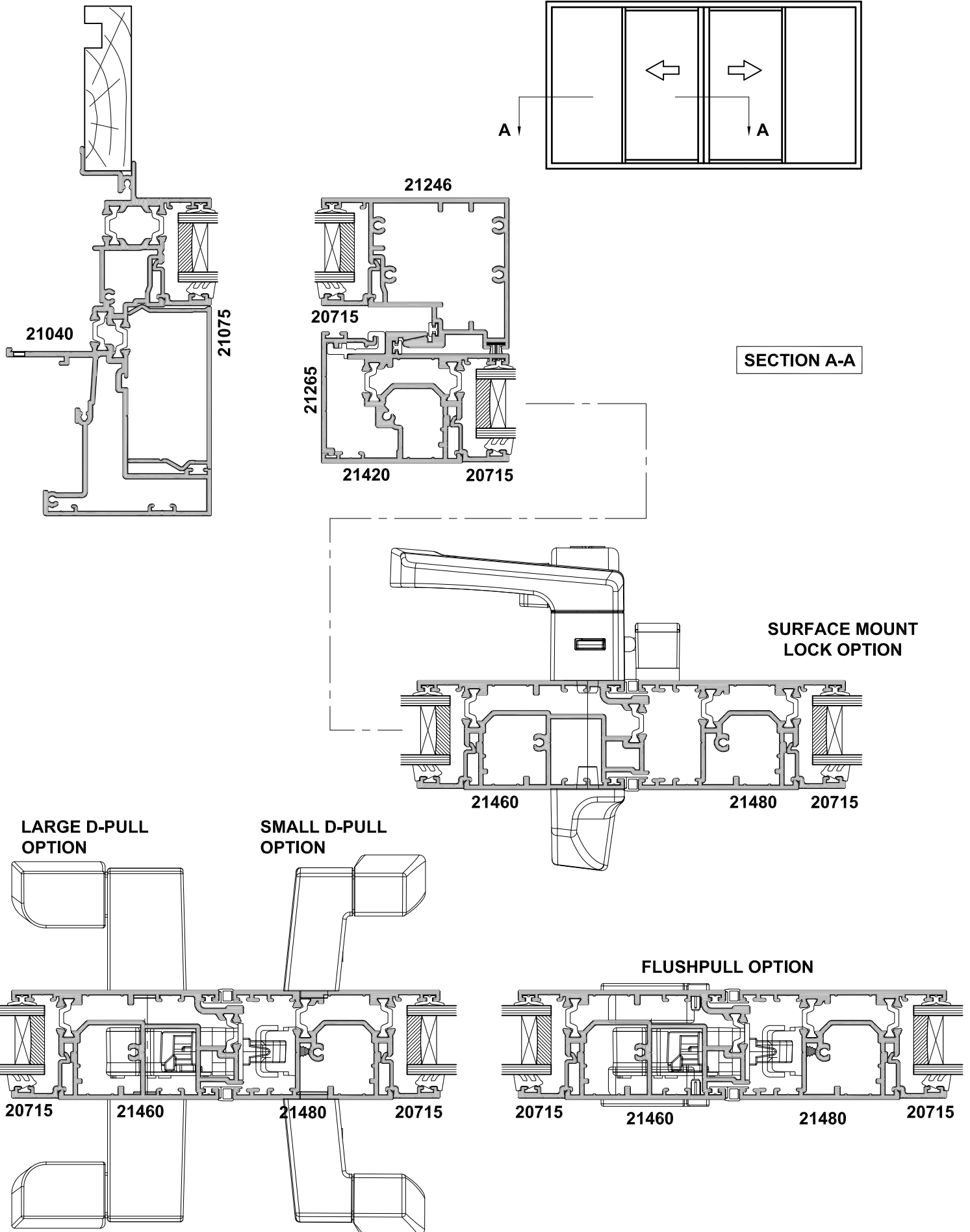
SECTION A-A

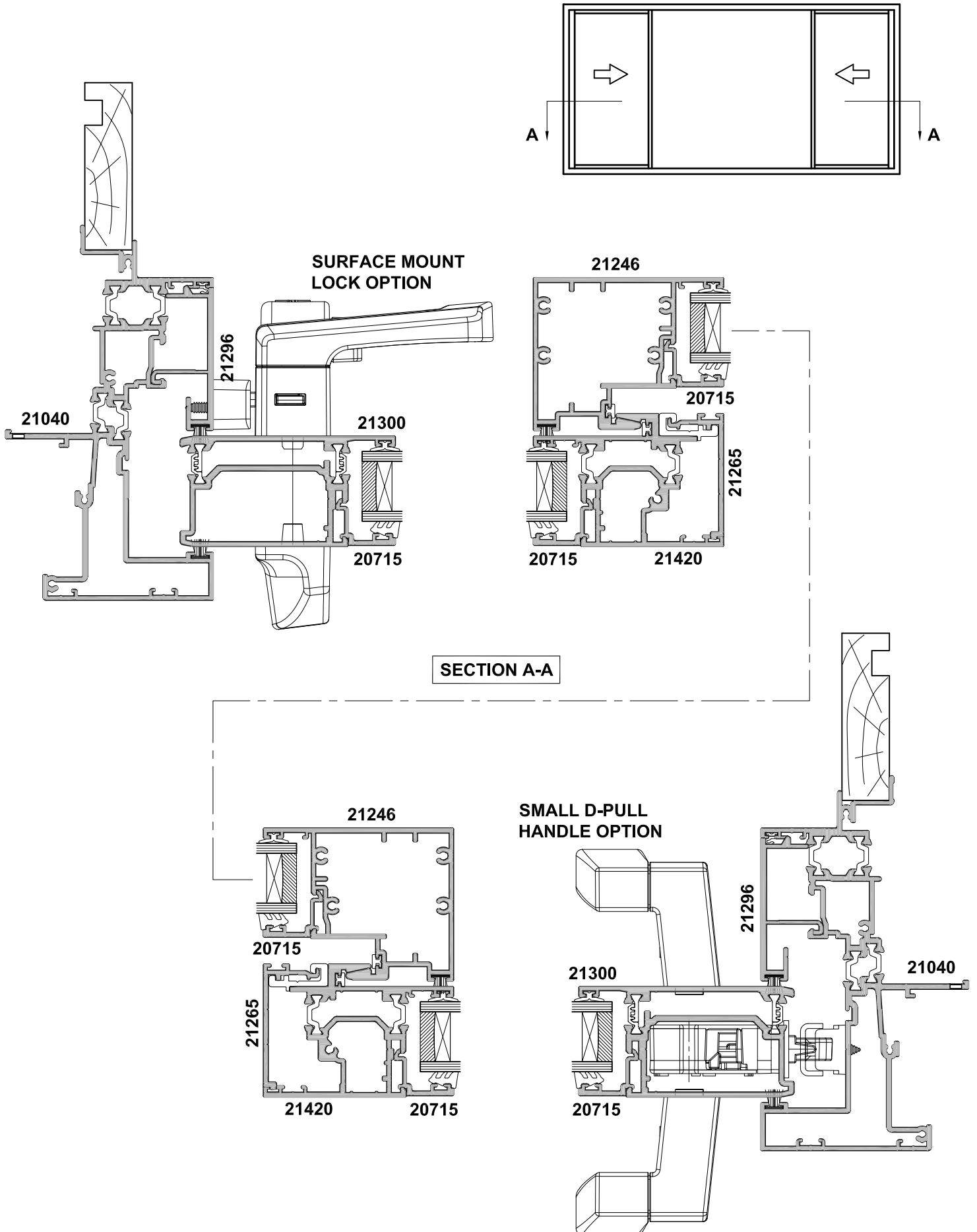


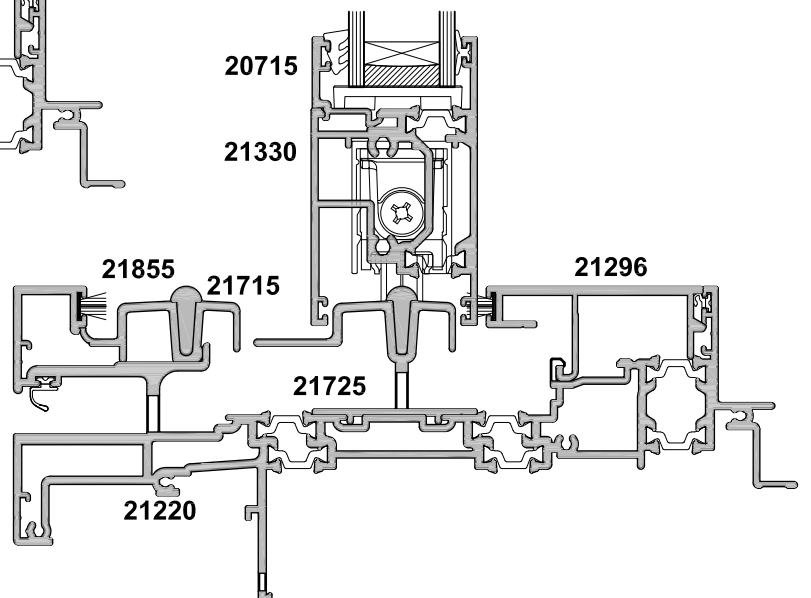
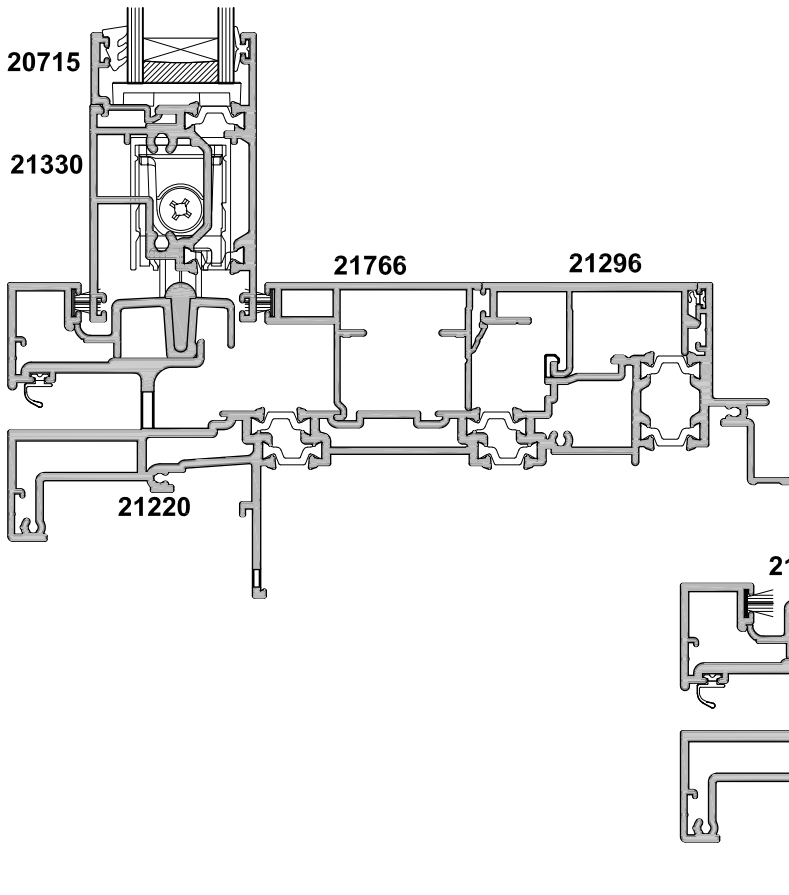
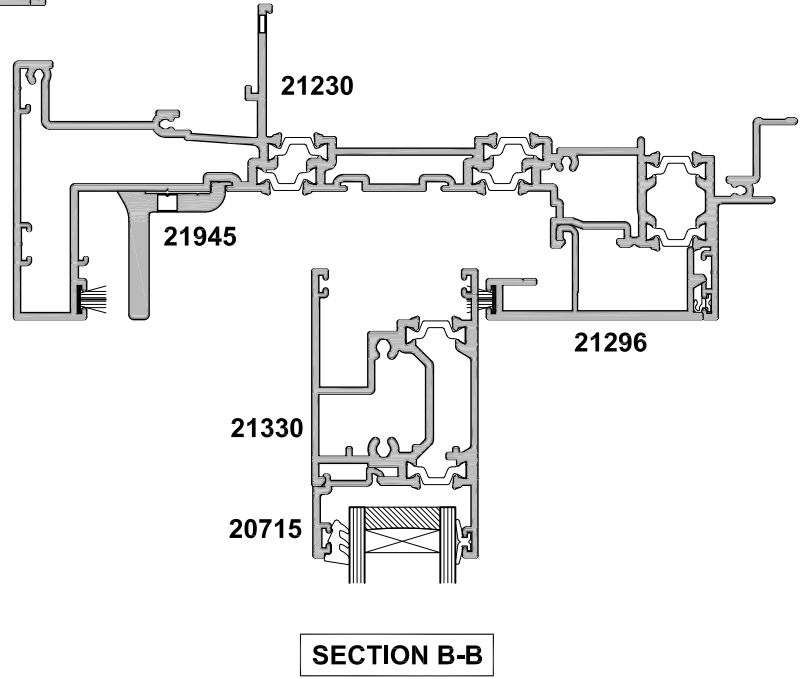
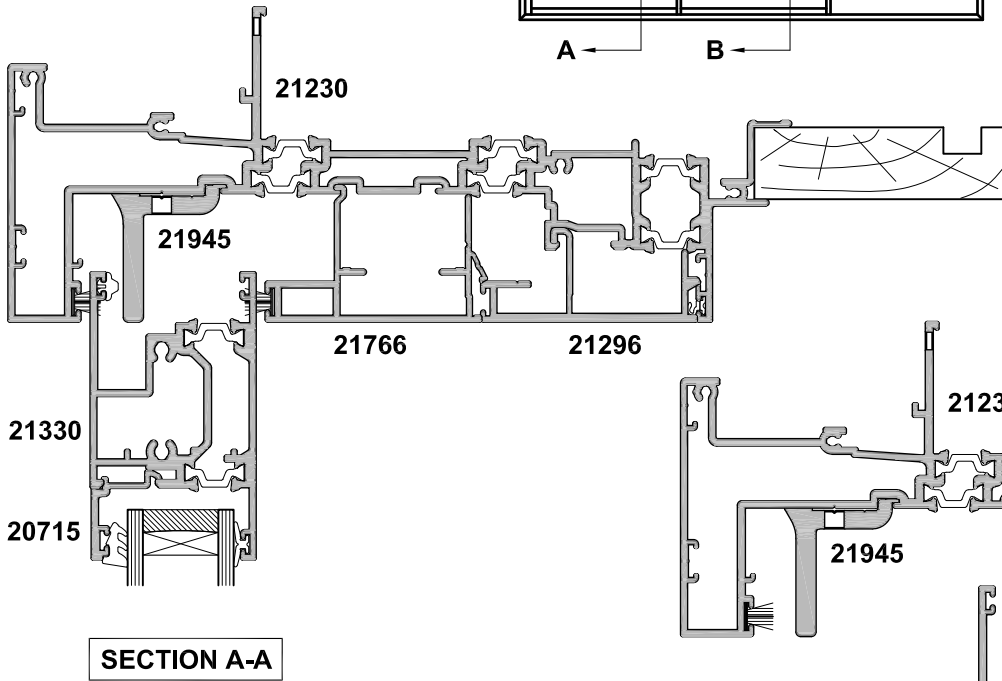
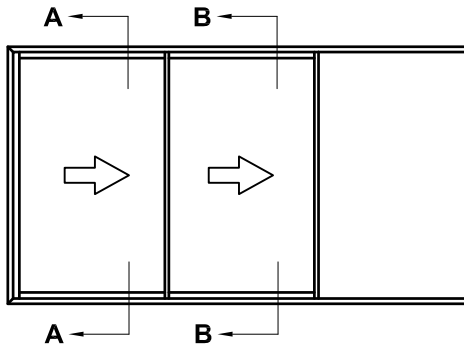


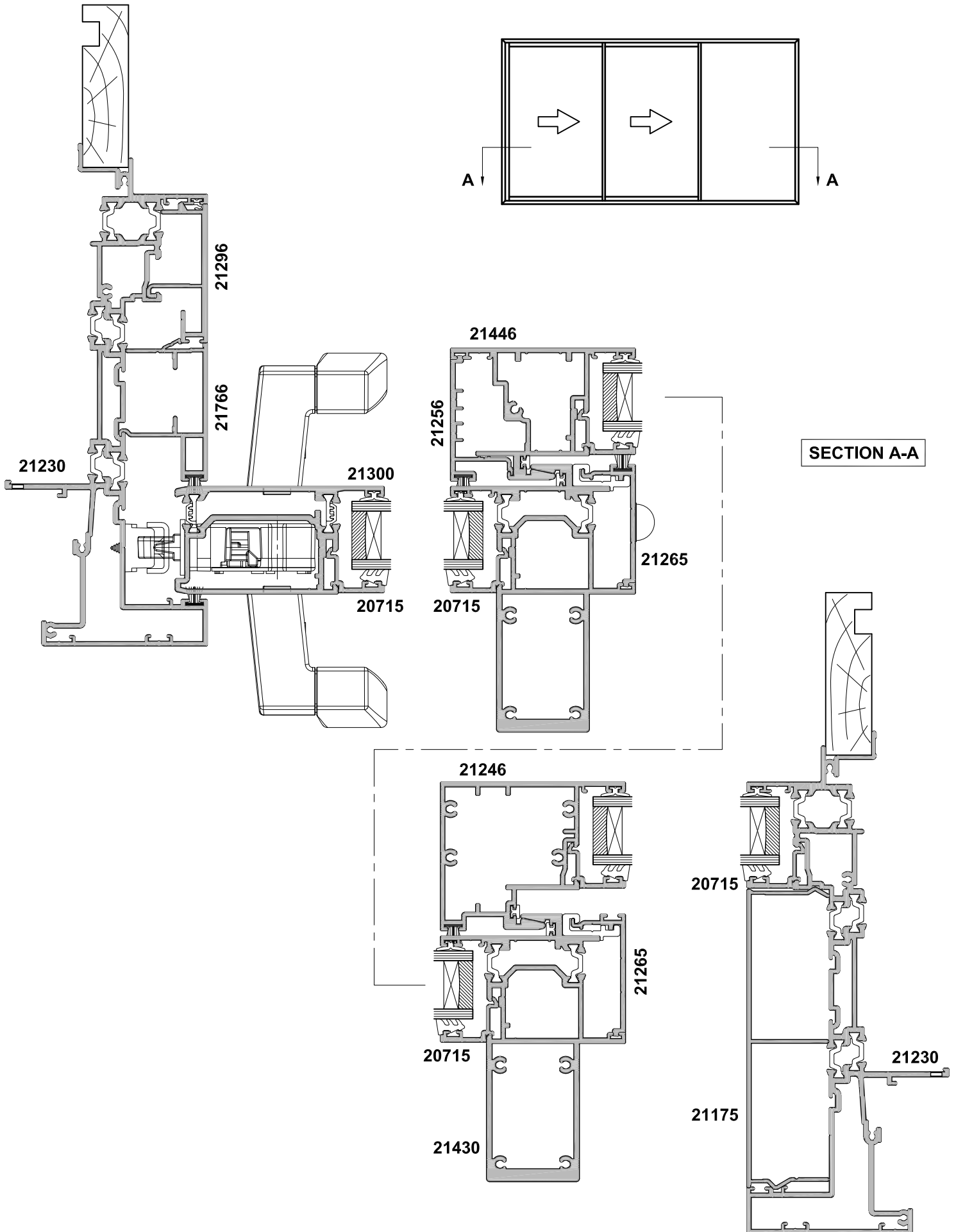
SECTION A-A

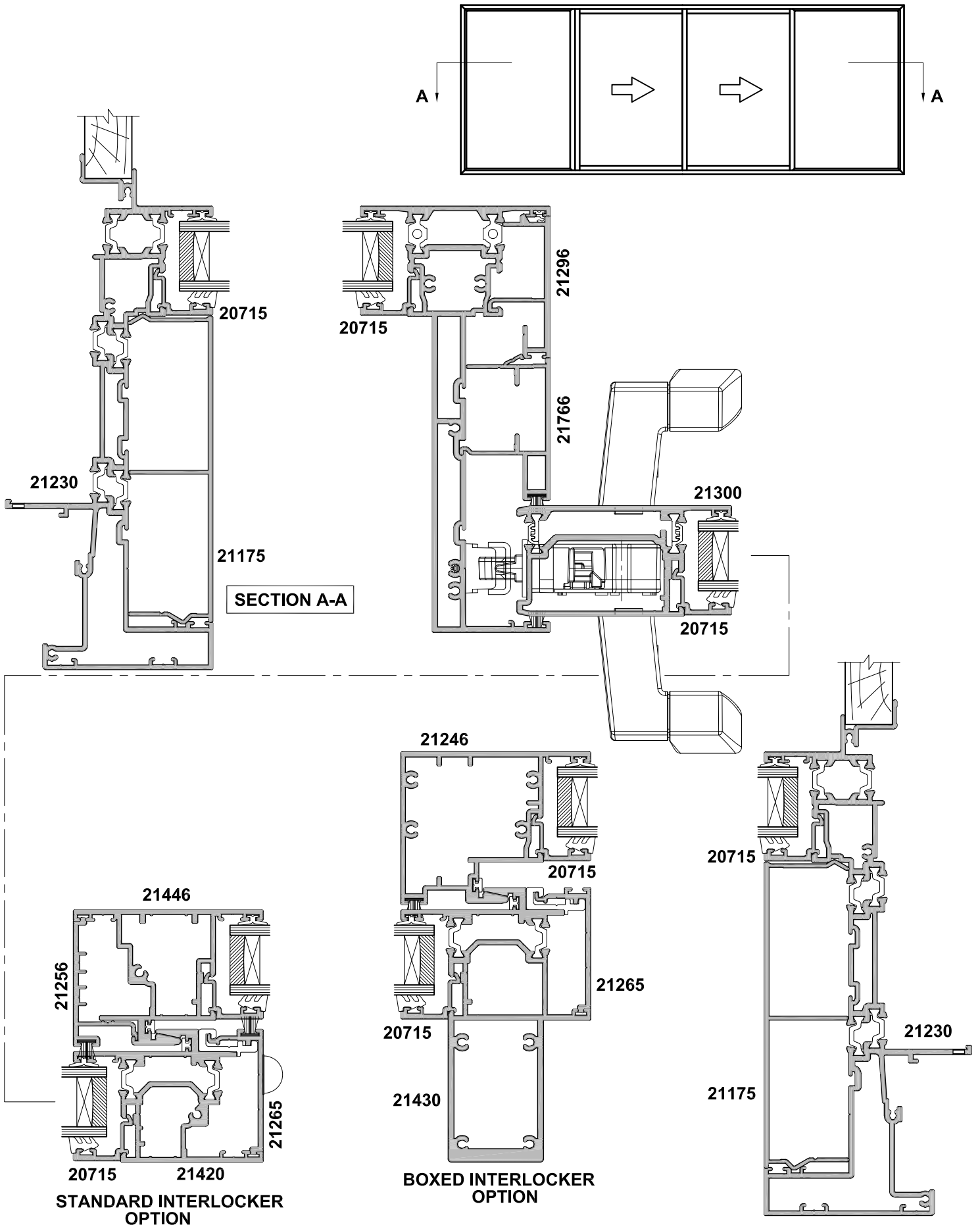


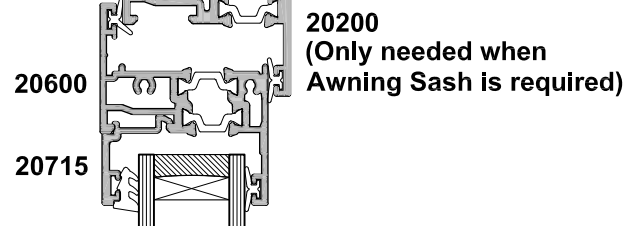
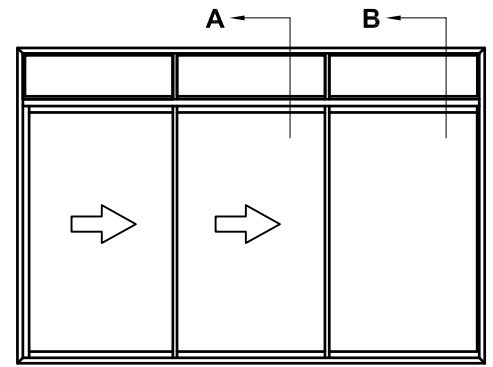
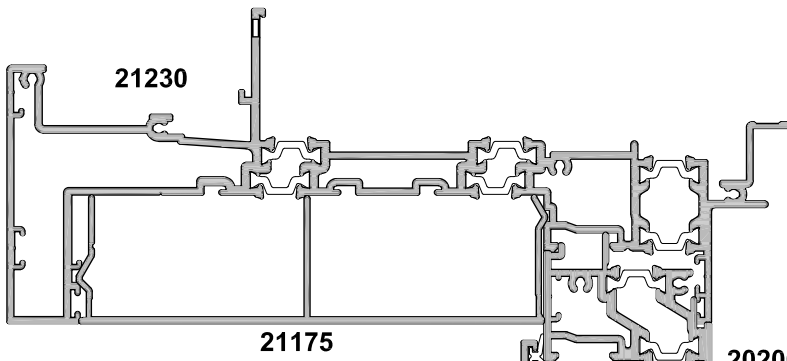








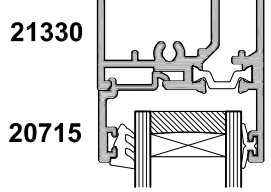
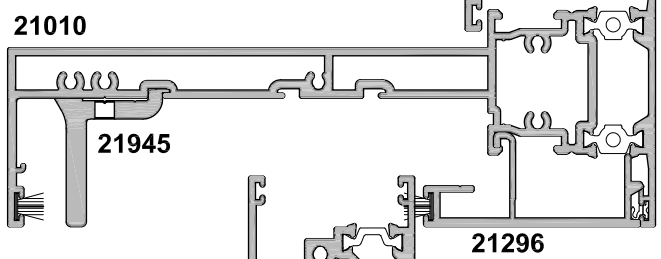
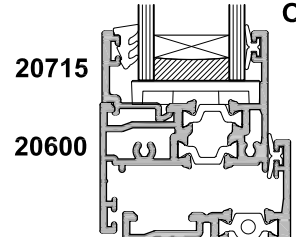




20200
(Only needed when
Awning Sash is required)

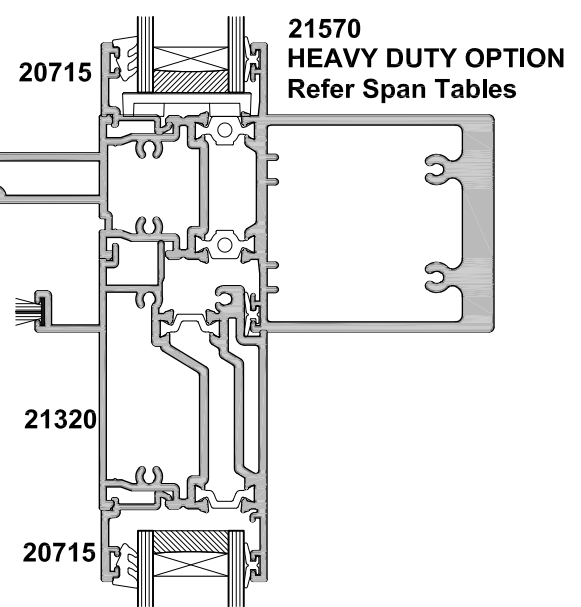
SECTION A-A

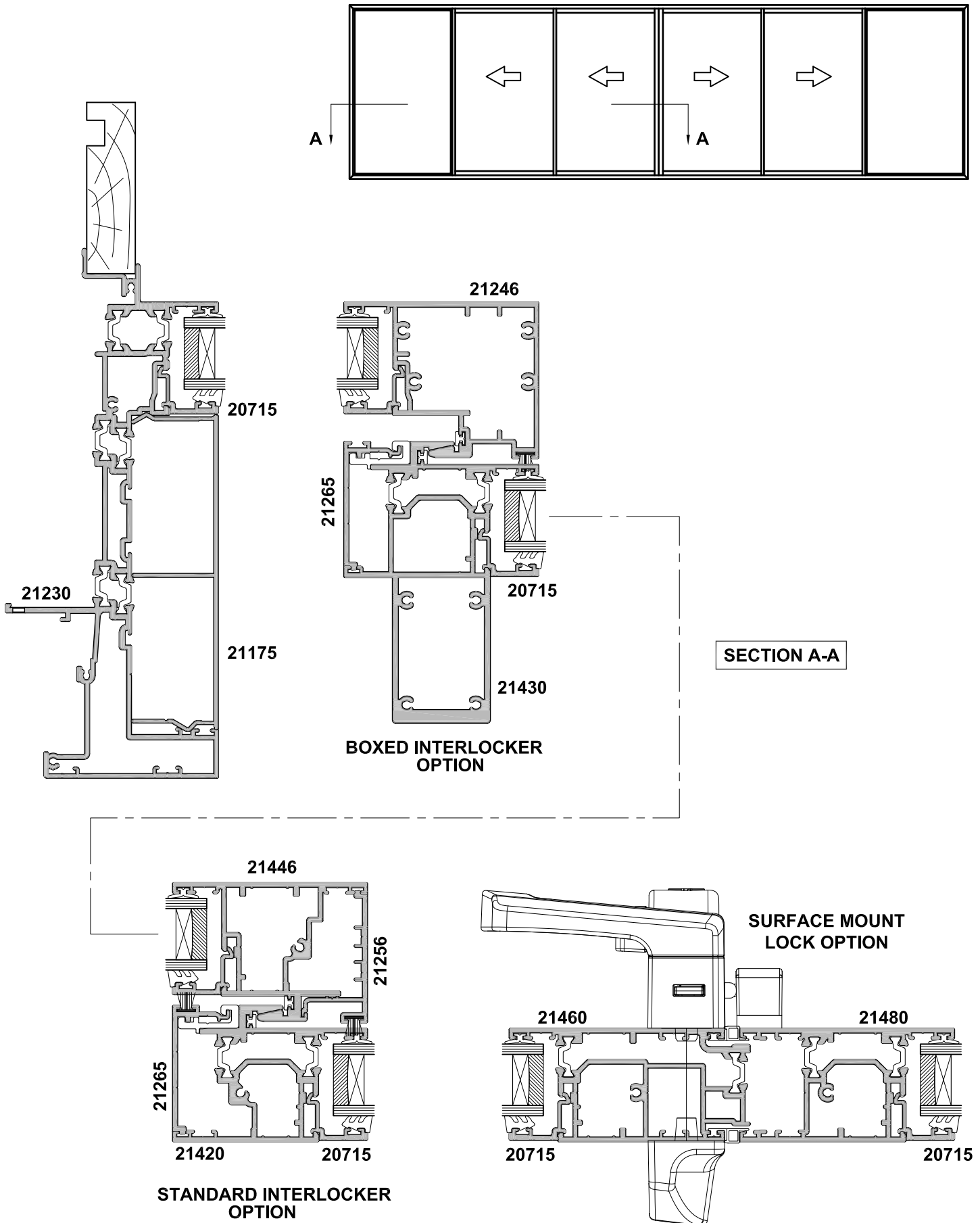
**AWNING SASH
OPTION**

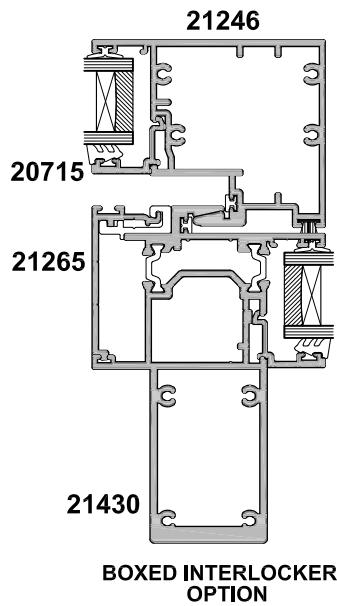
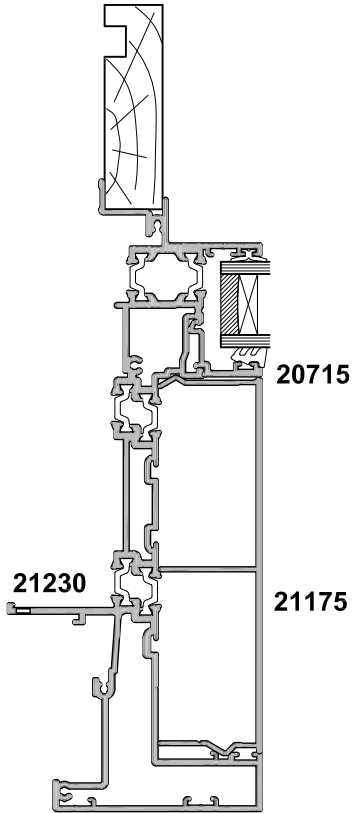
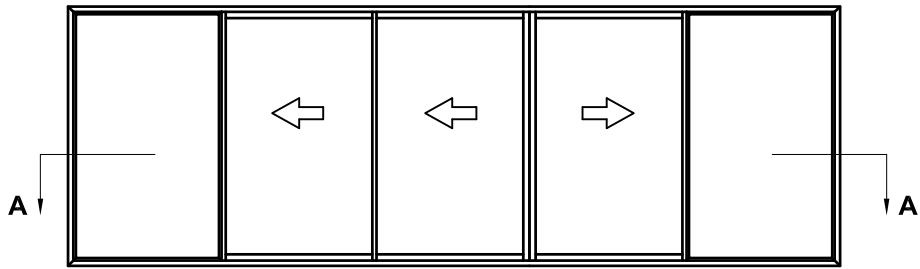


SECTION B-B

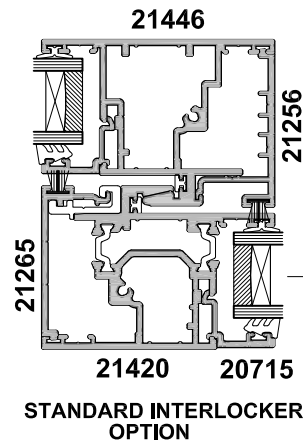
**FIXED PANEL
OPTION**



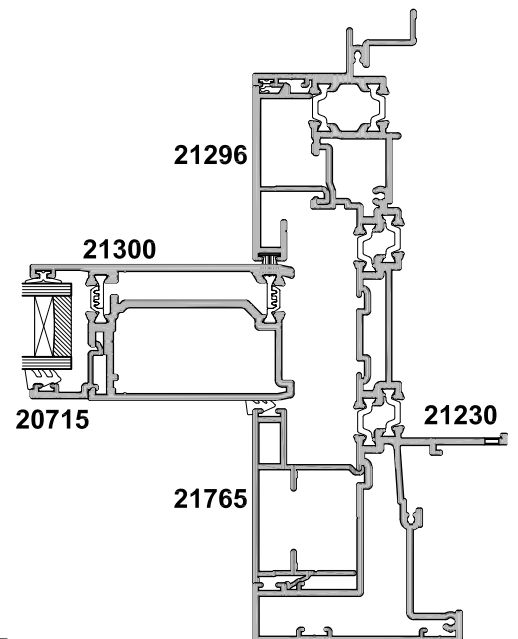
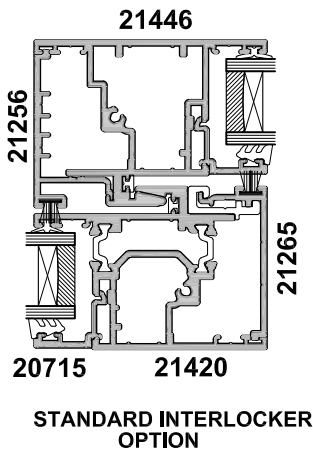
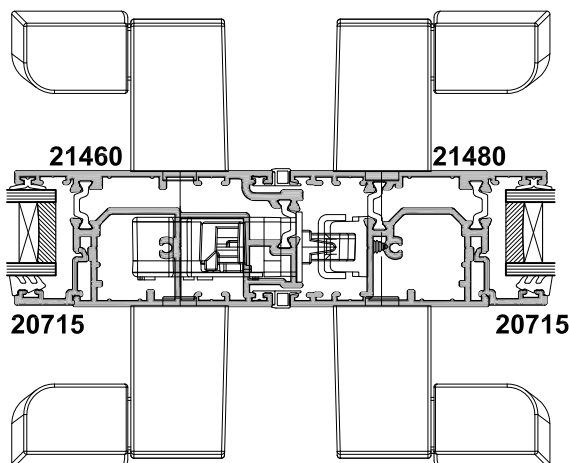


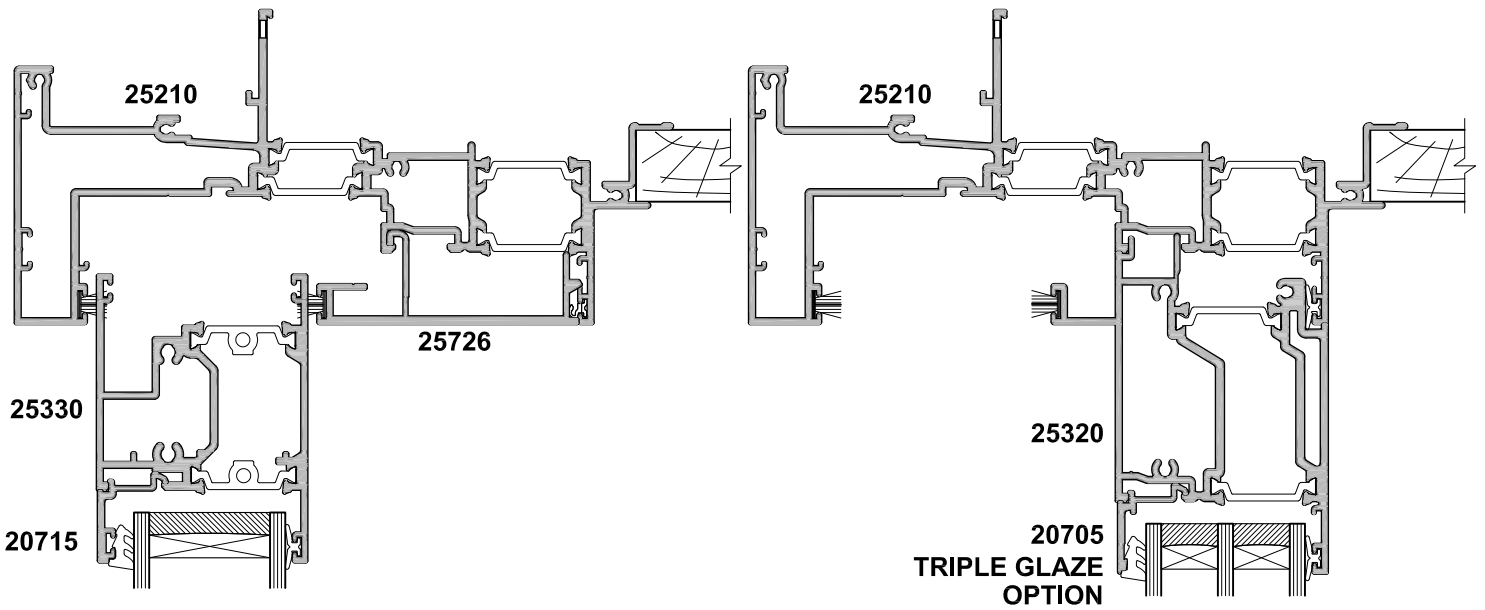
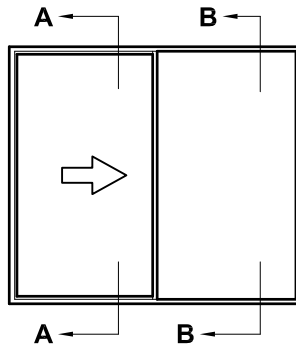


SECTION A-A



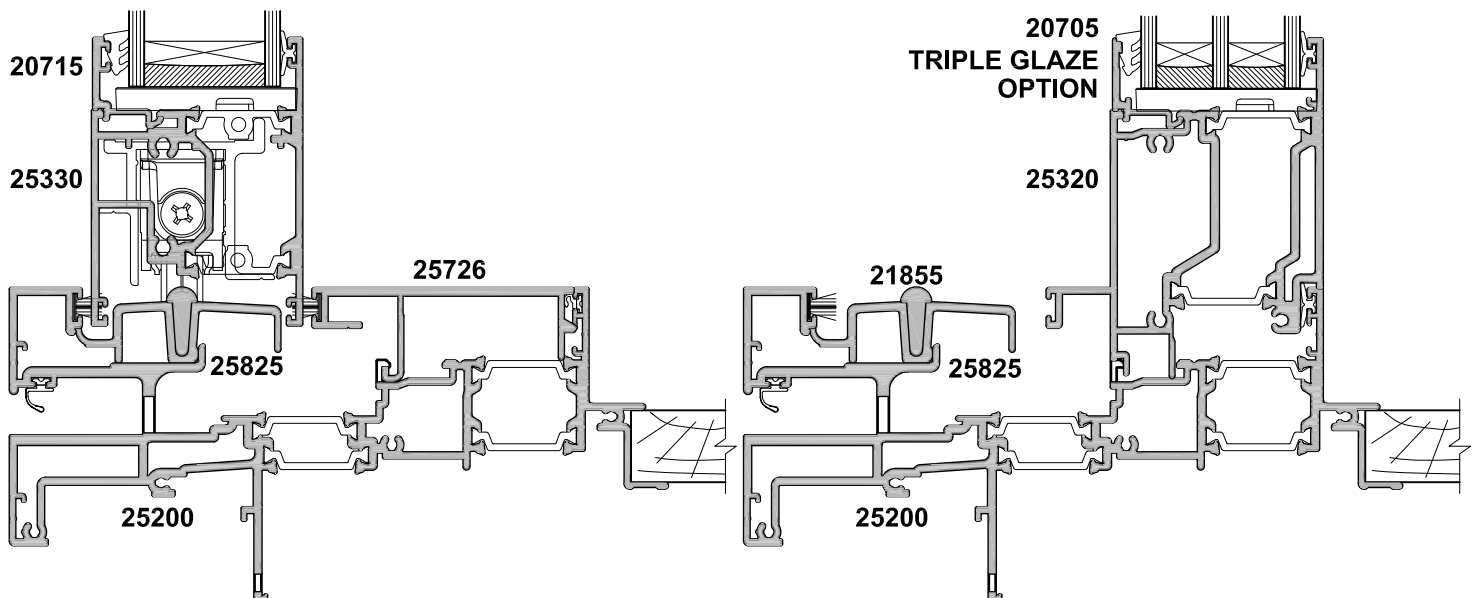
LARGE D-PULL OPTION

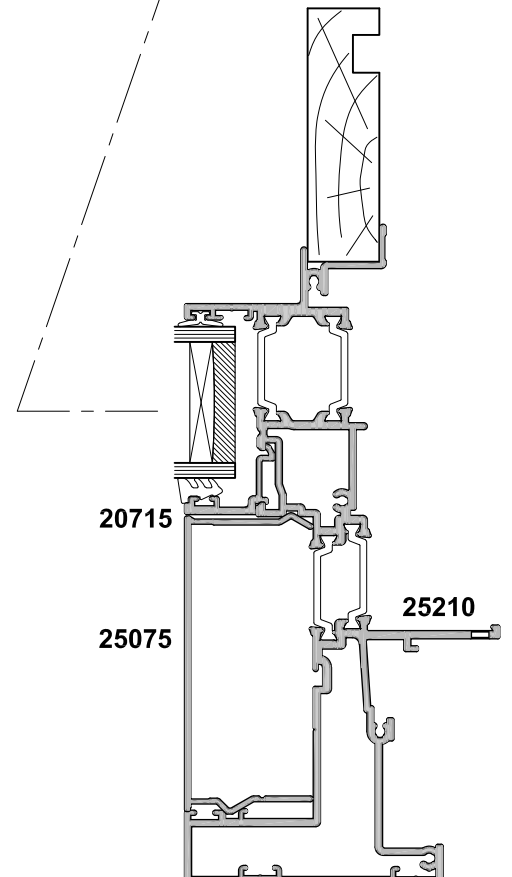
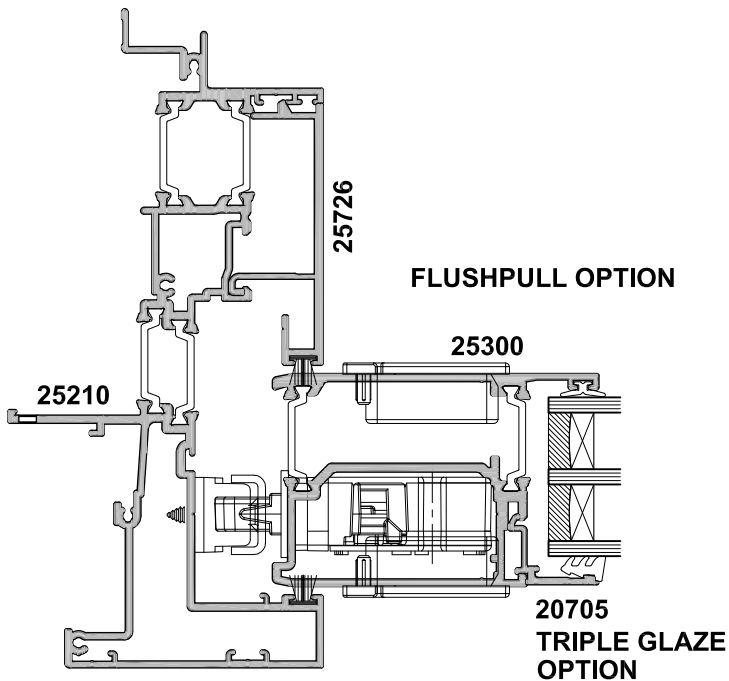
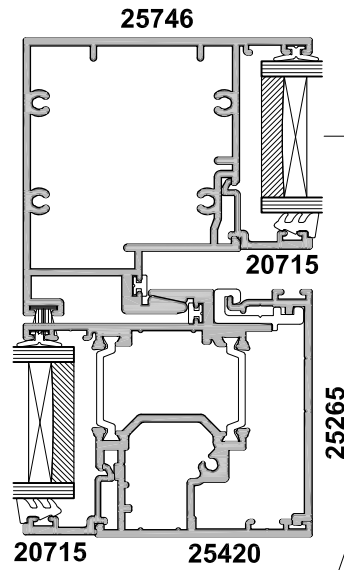
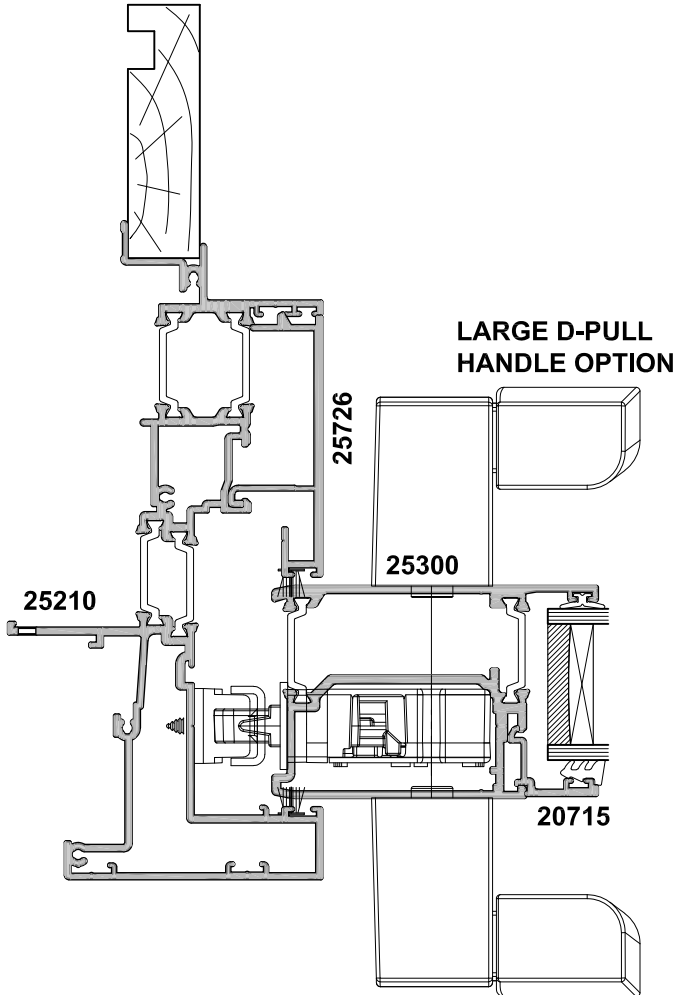
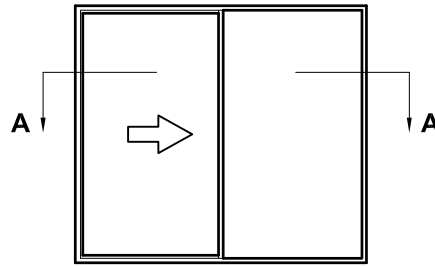


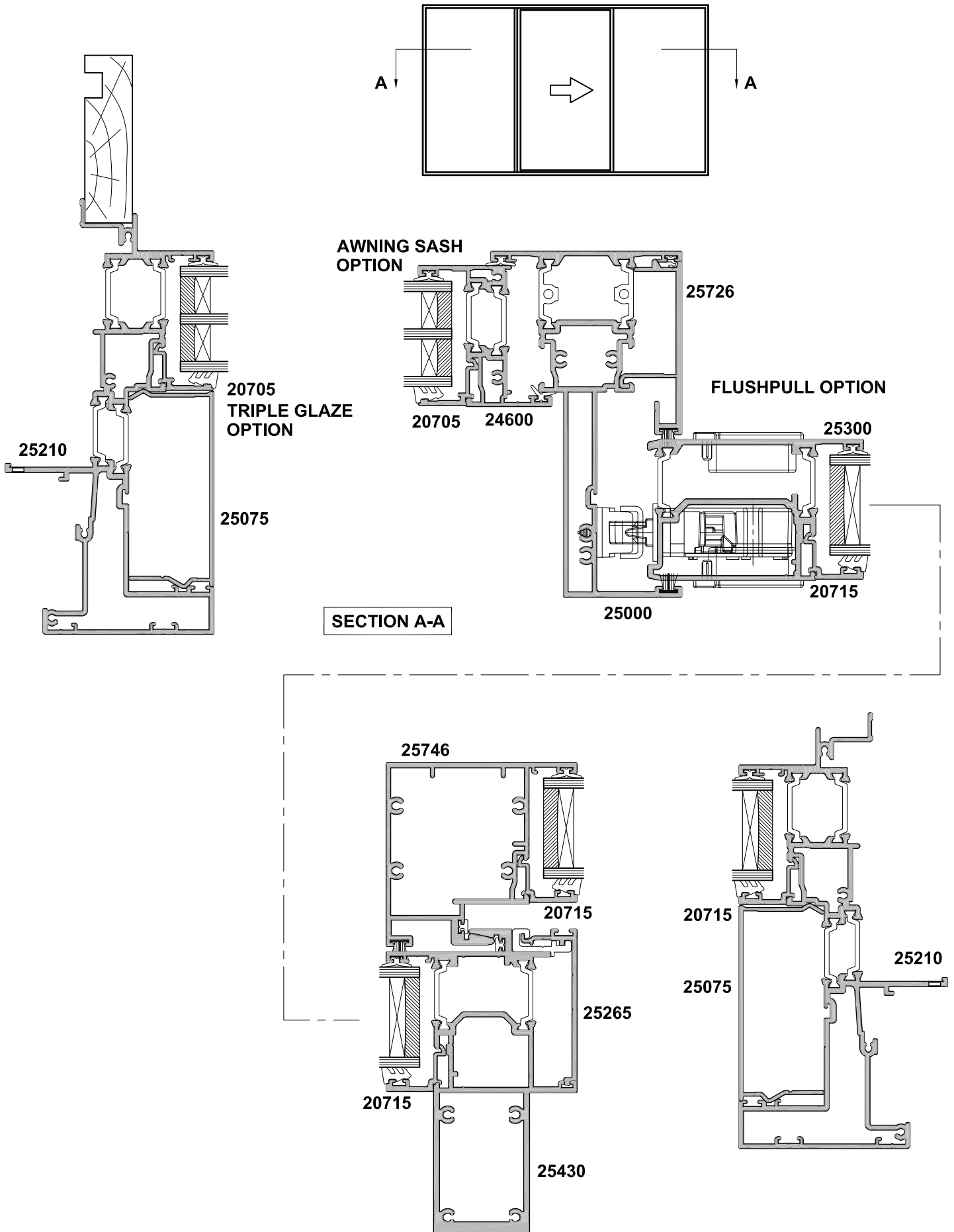


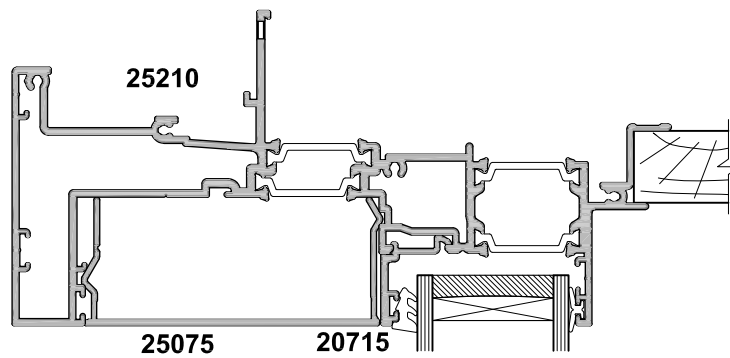
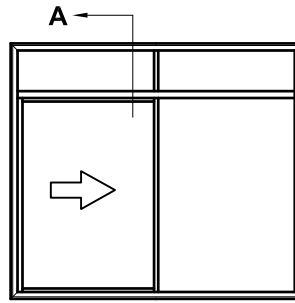
SECTION A-A

SECTION B-B

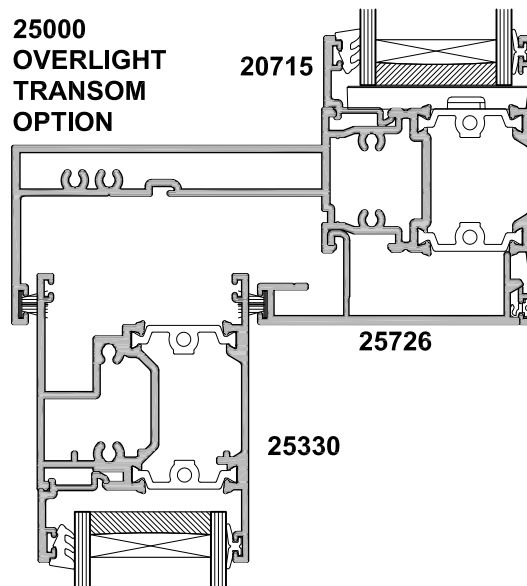


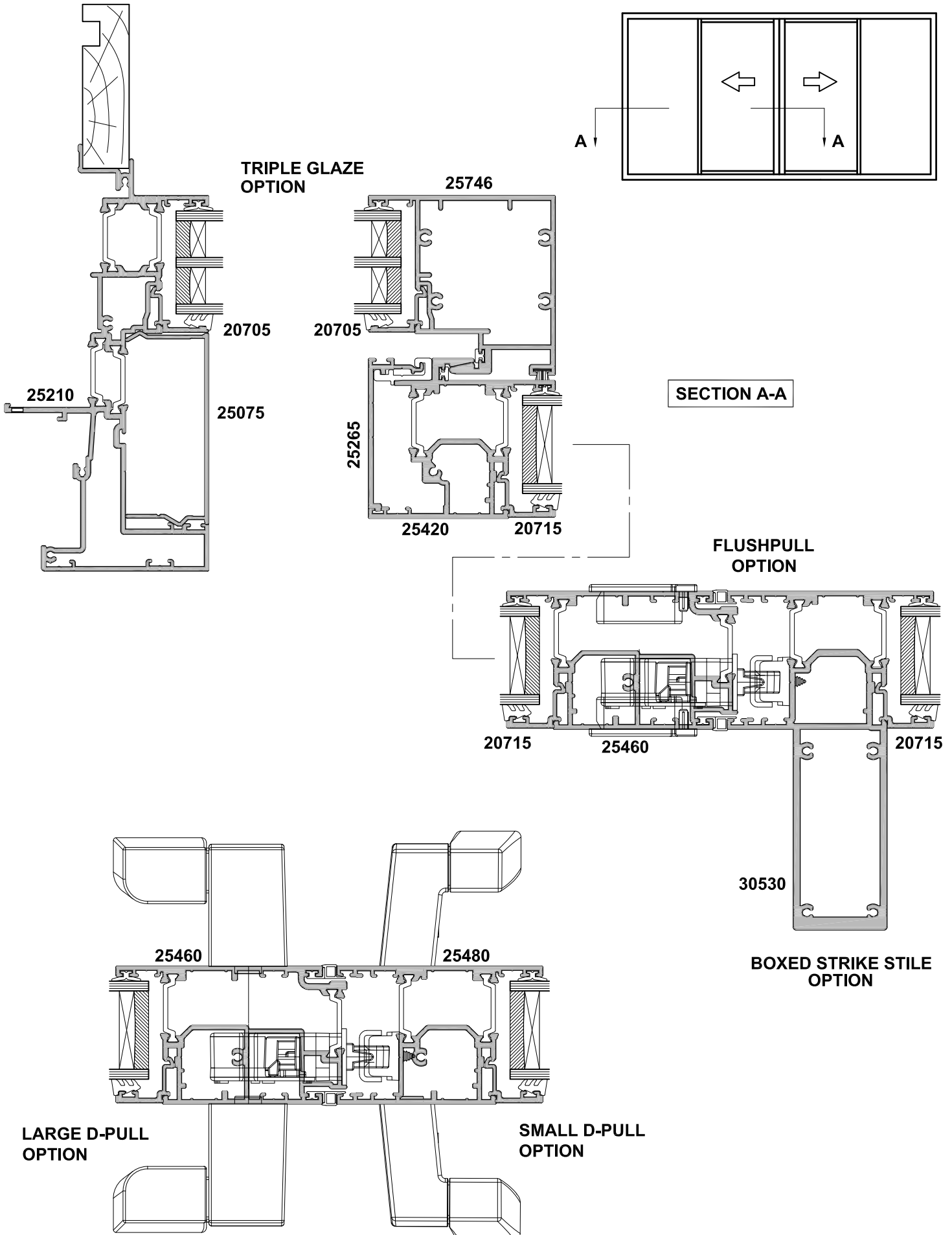


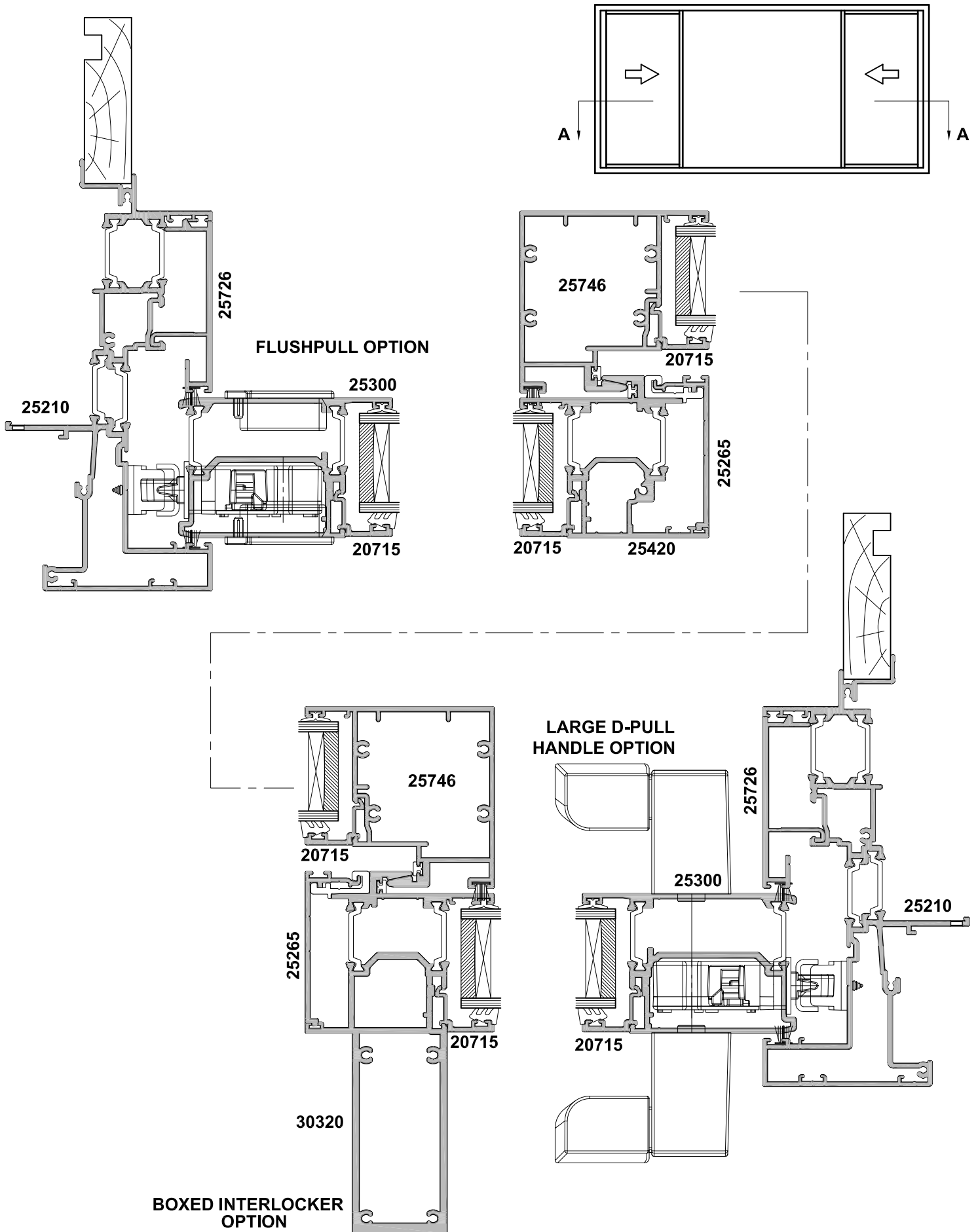


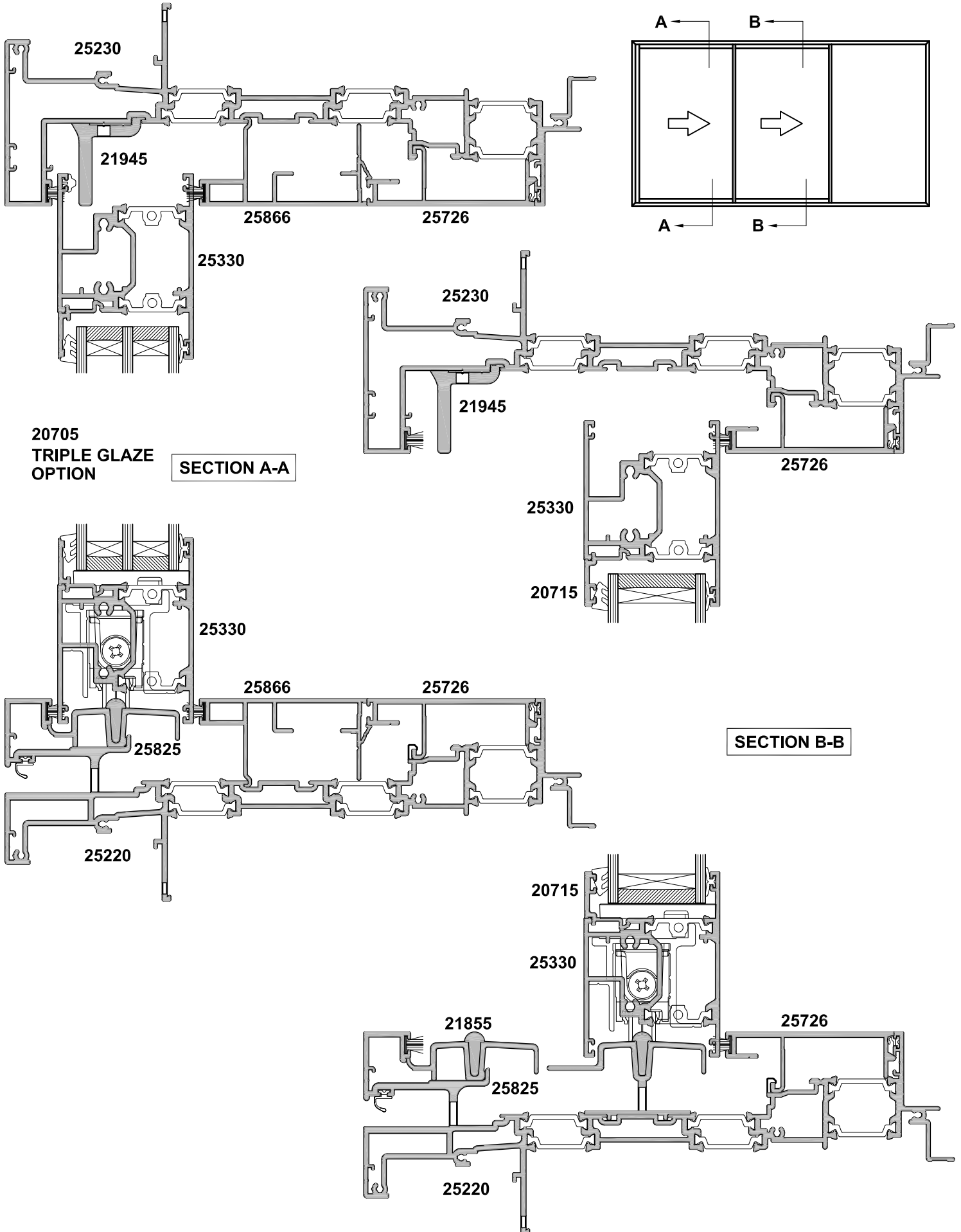


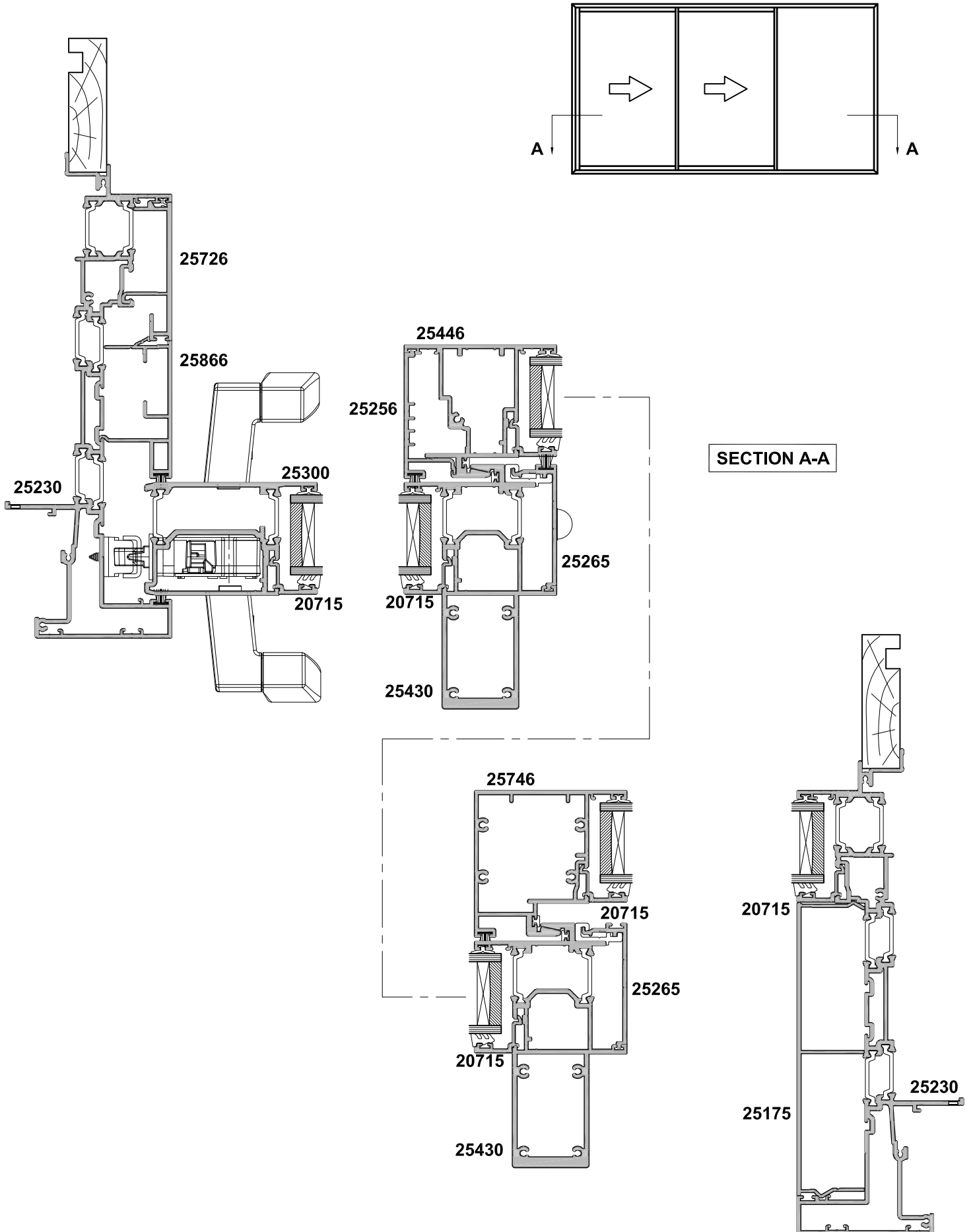
SECTION A-A

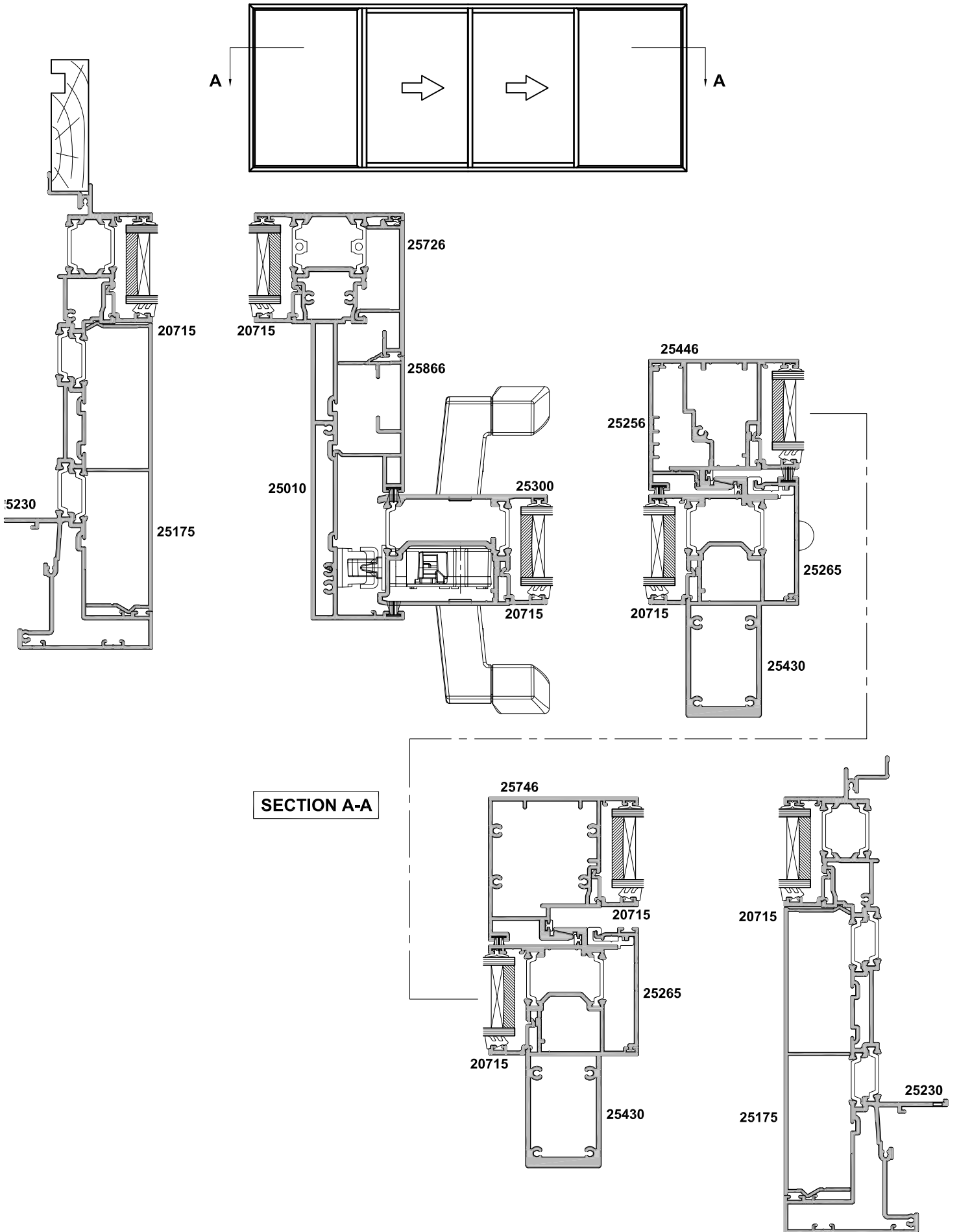


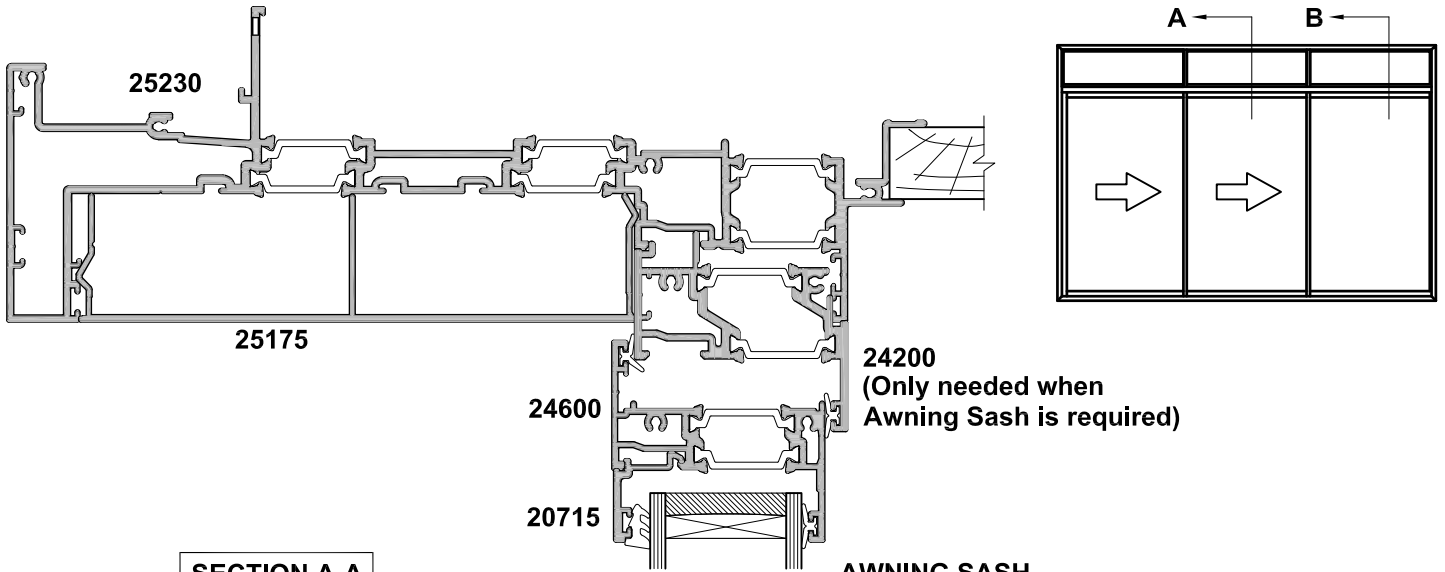




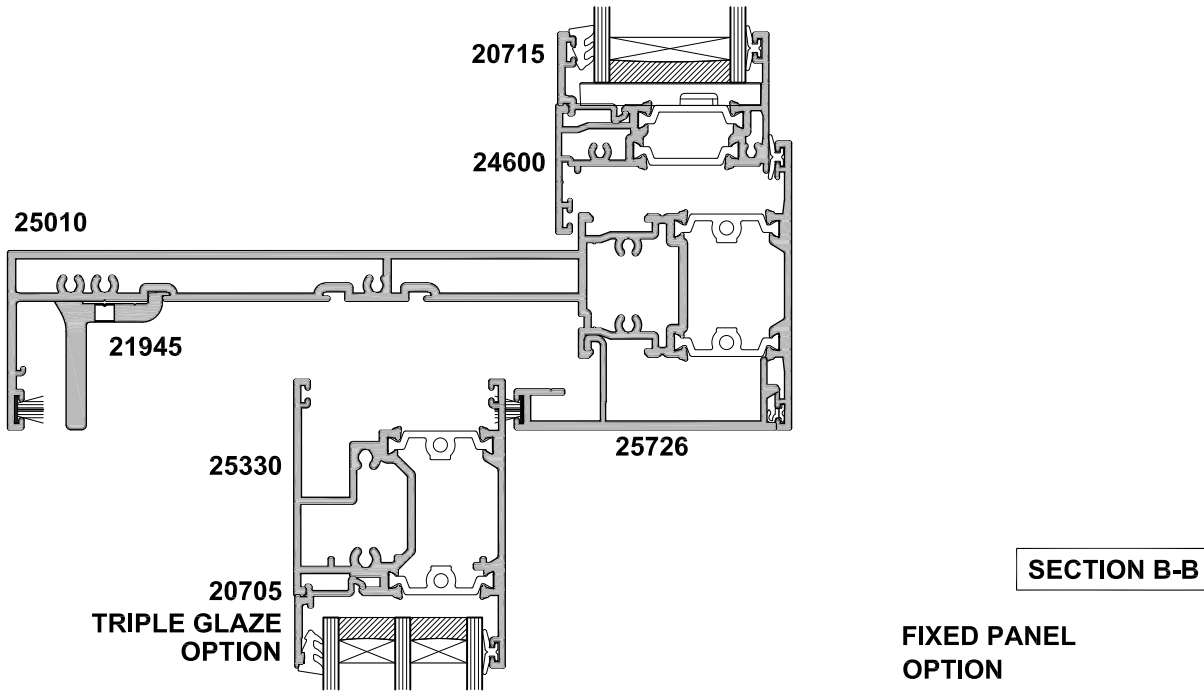








**AWNING SASH
OPTION**



**FIXED PANEL
OPTION**

