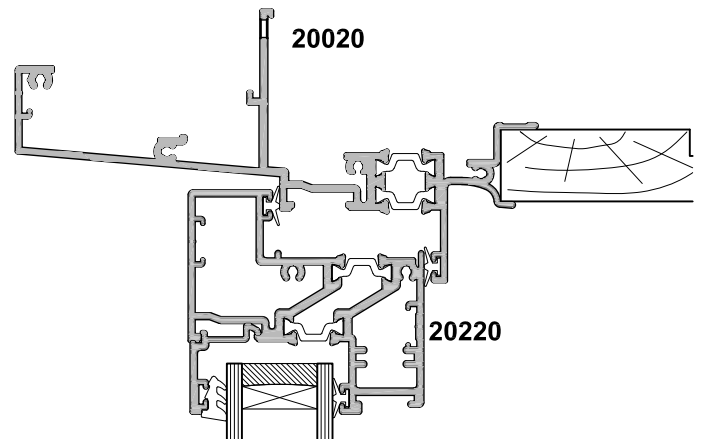
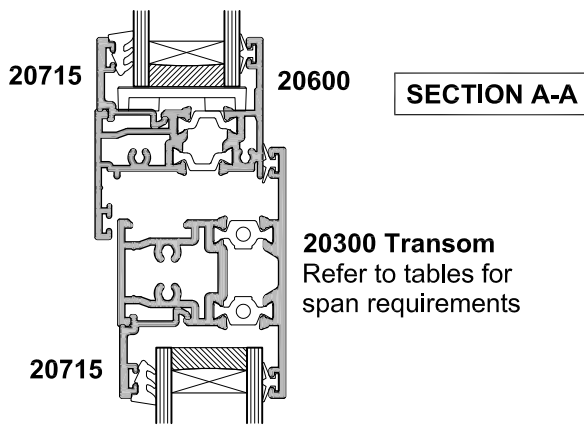


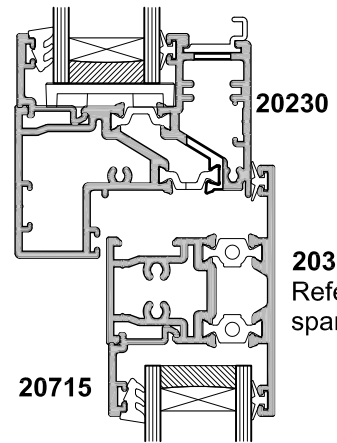
**STANDARD
SASH OPTION**



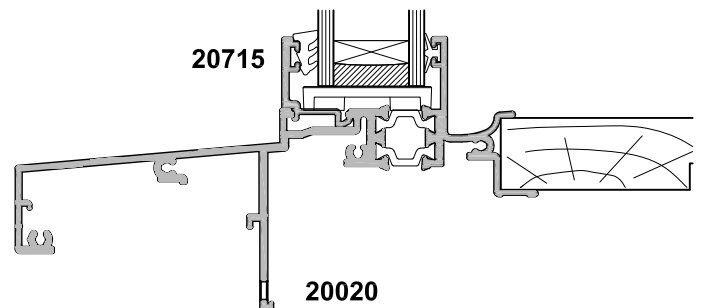
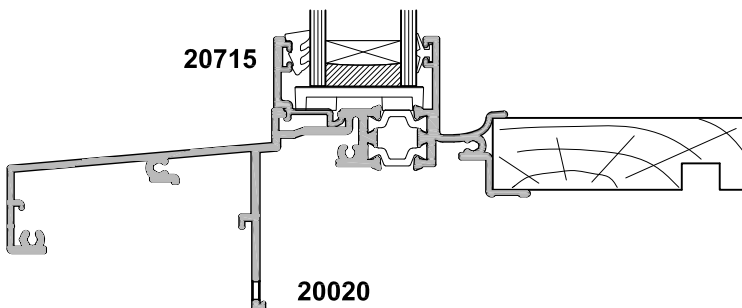
**VENTED SASH
OPTION**

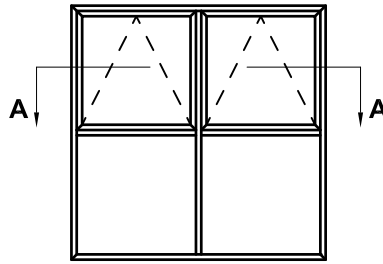


20300 Transom
Refer to tables for
span requirements

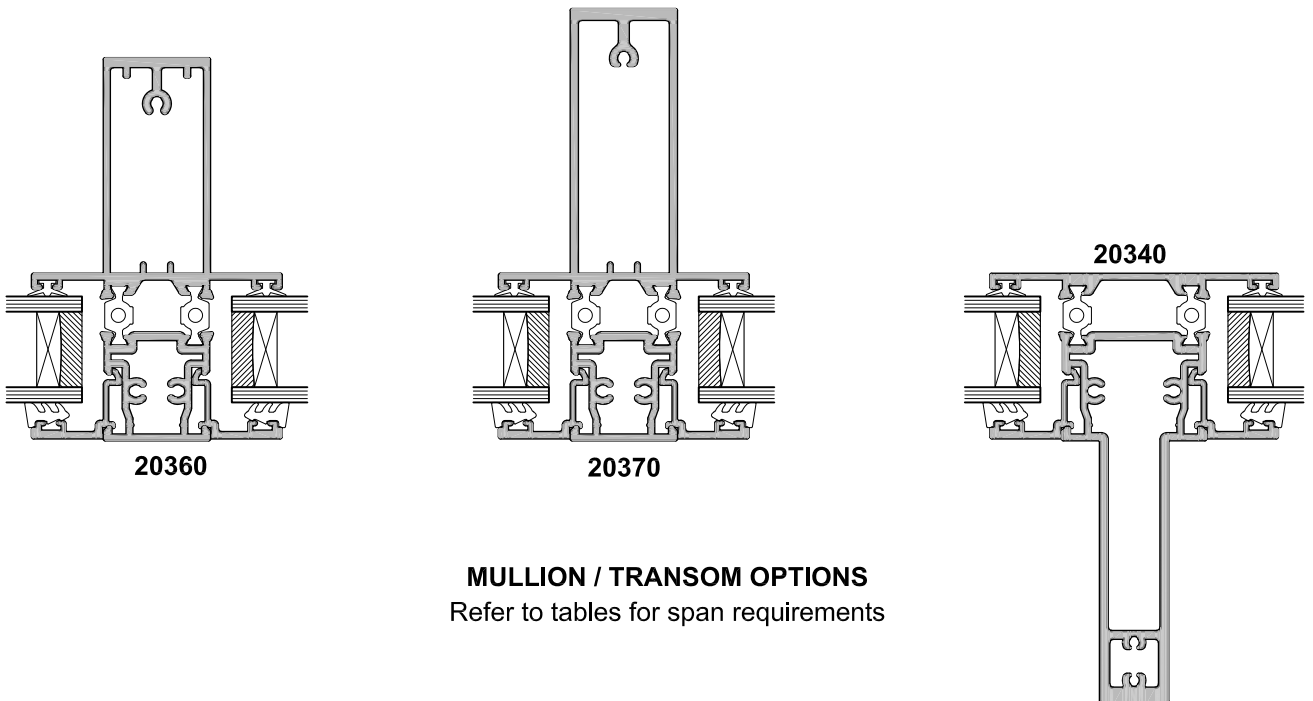
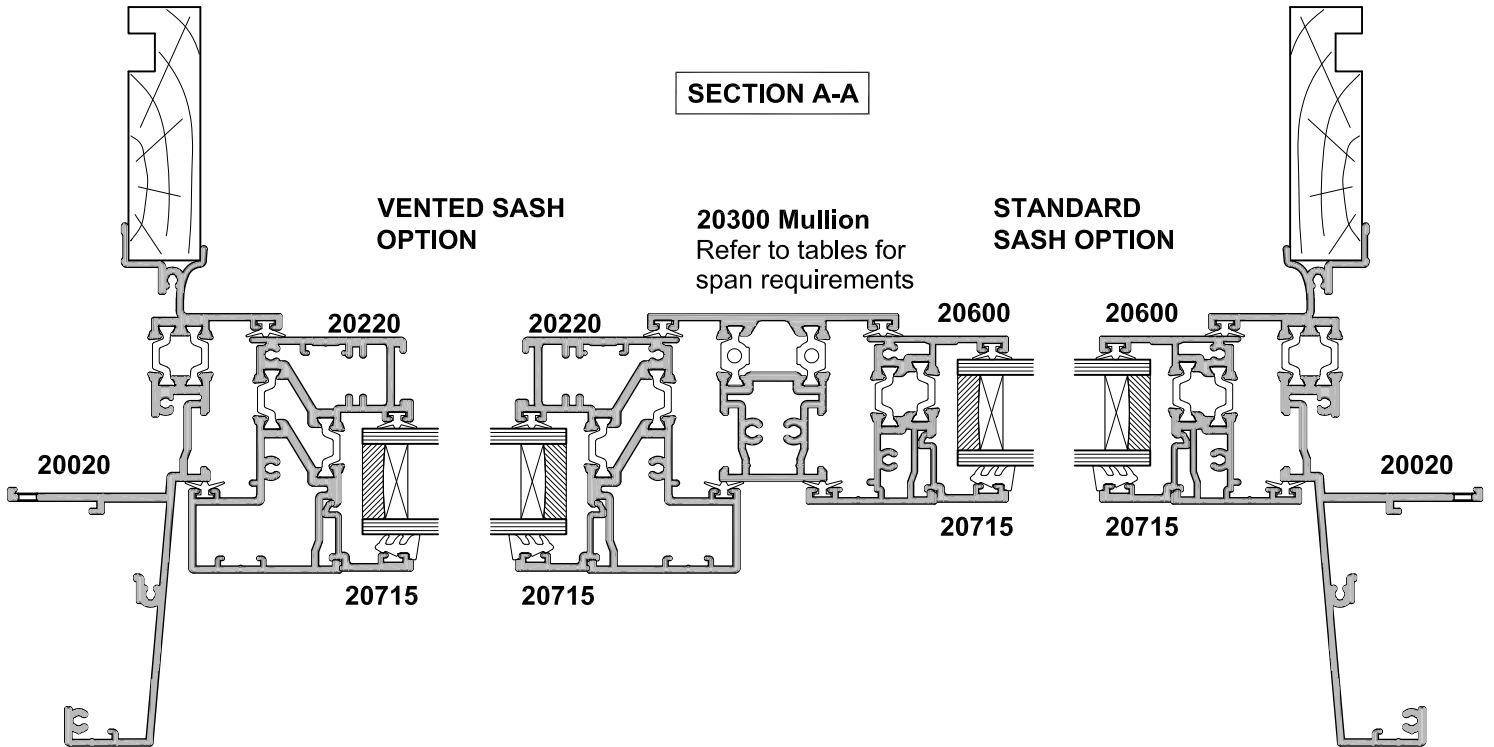


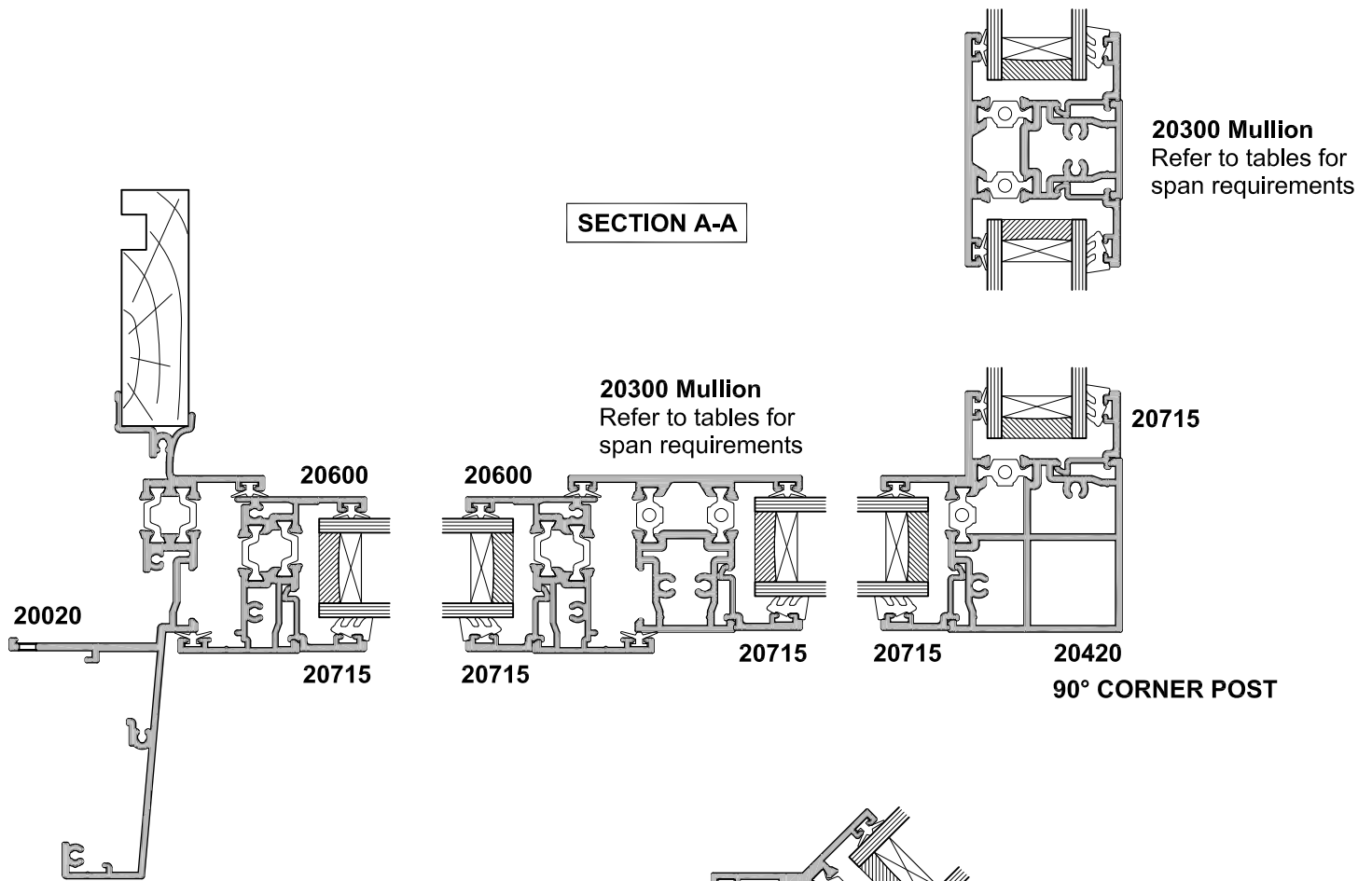
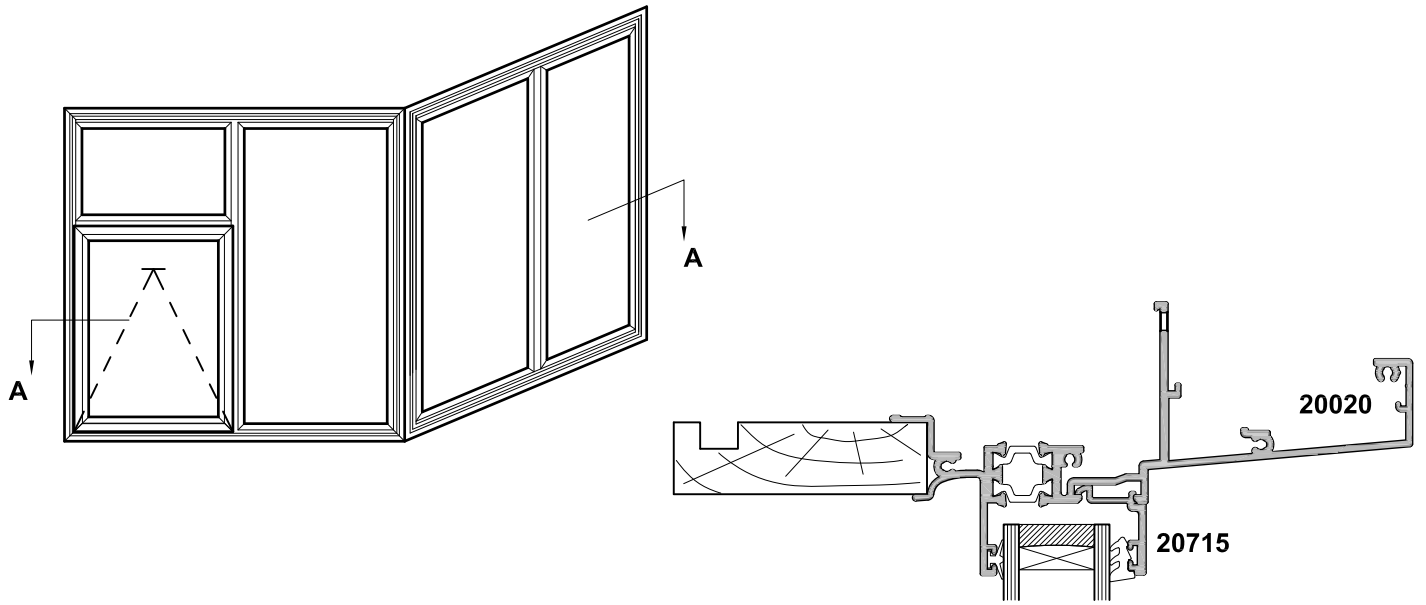
20300 Transom
Refer to tables for
span requirements

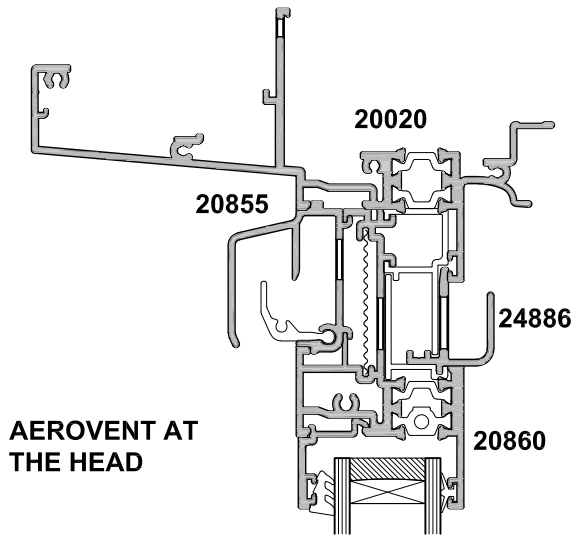




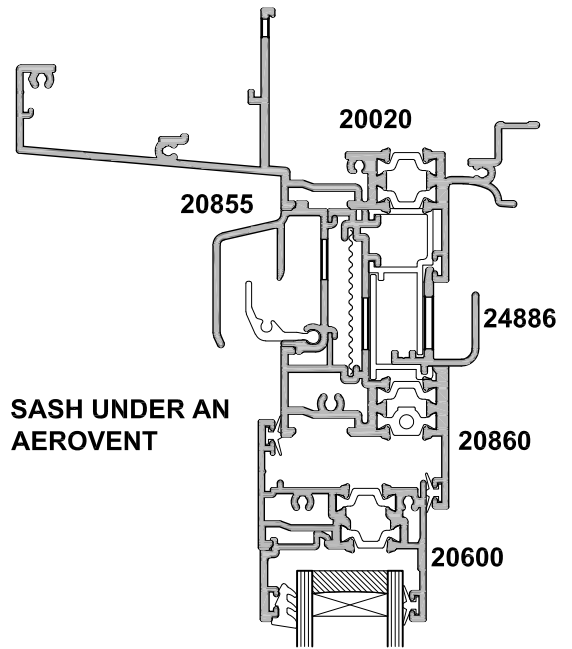
SECTION A-A



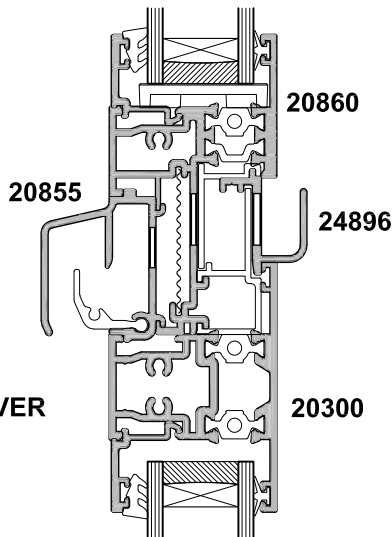




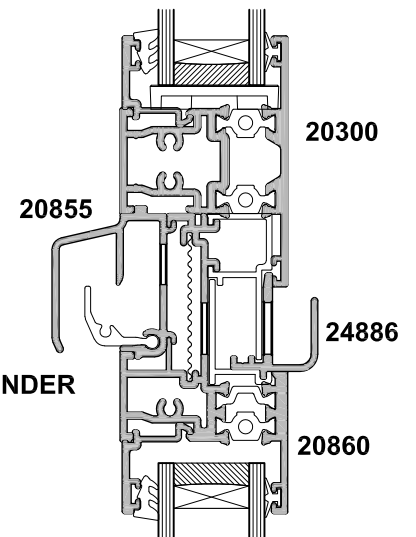
AEROVENT AT THE HEAD



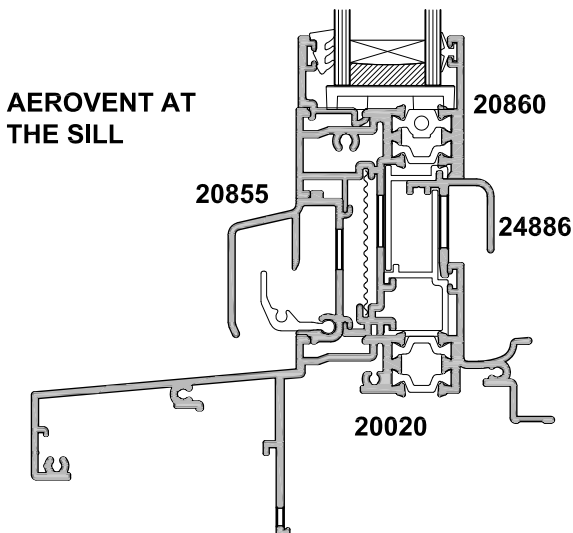
SASH UNDER AN AEROVENT



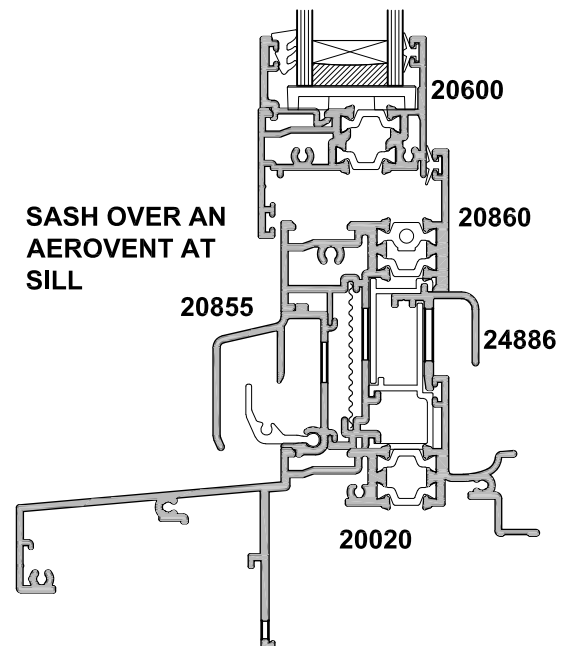
AEROVENT OVER A TRANSOM



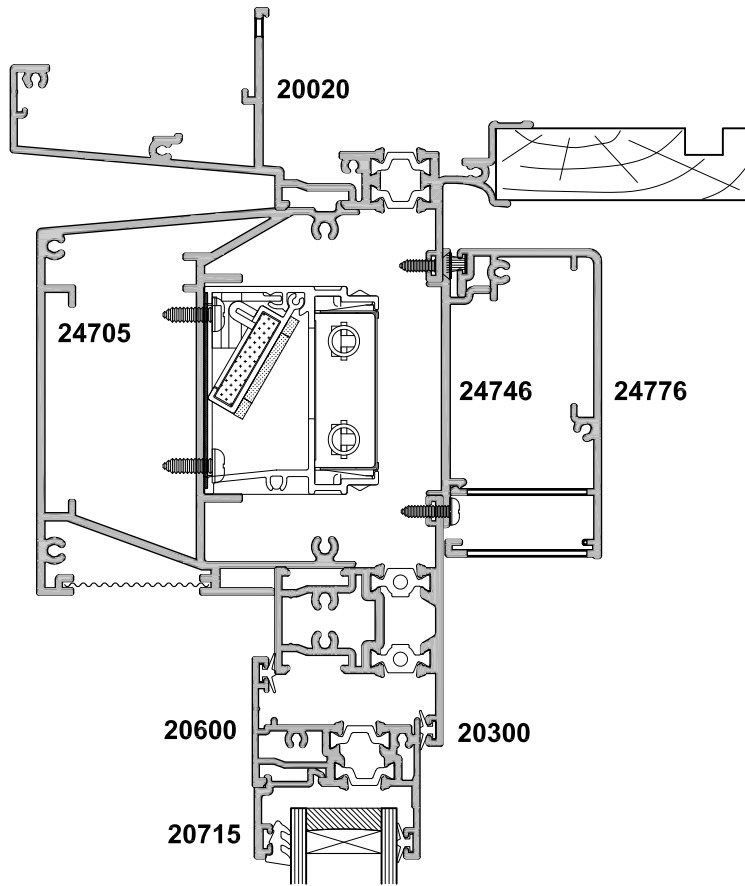
AEROVENT UNDER A TRANSOM



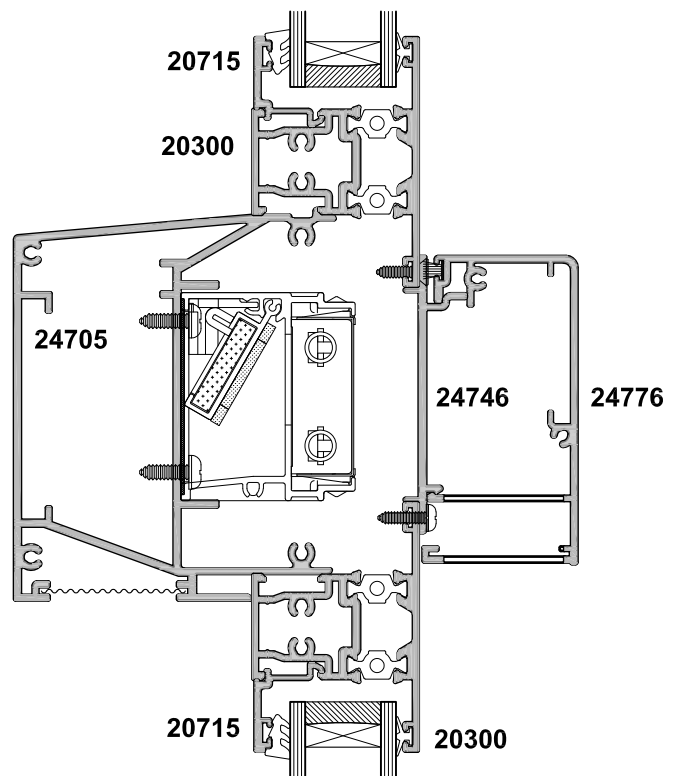
AEROVENT AT THE SILL



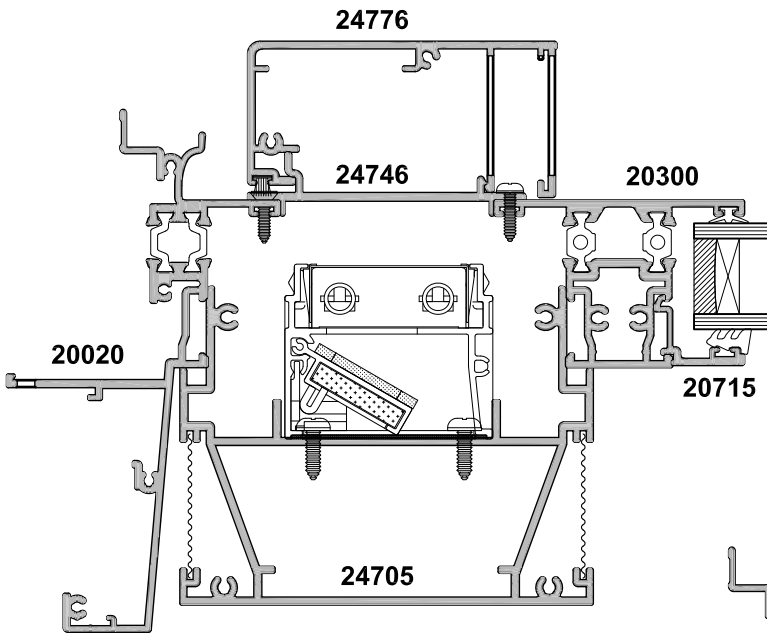
SASH OVER AN AEROVENT AT SILL



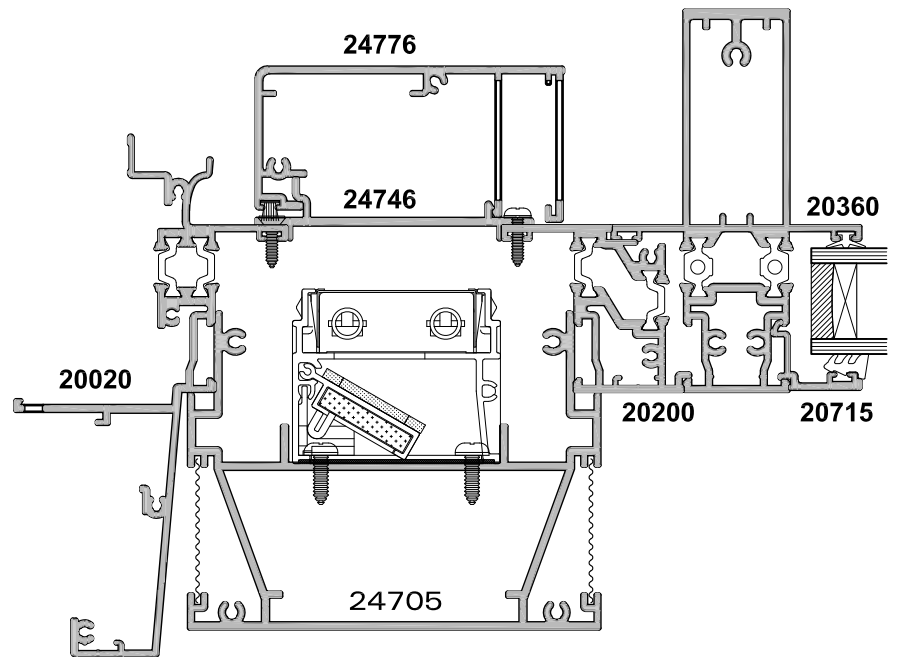
SASH UNDER VENTIENT



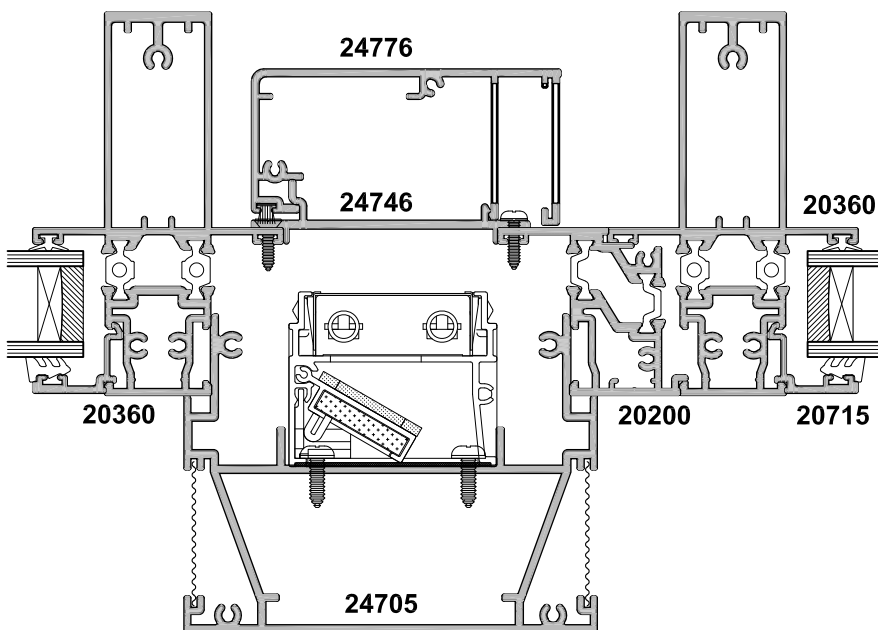
VENTIENT UNDER TRANSOM



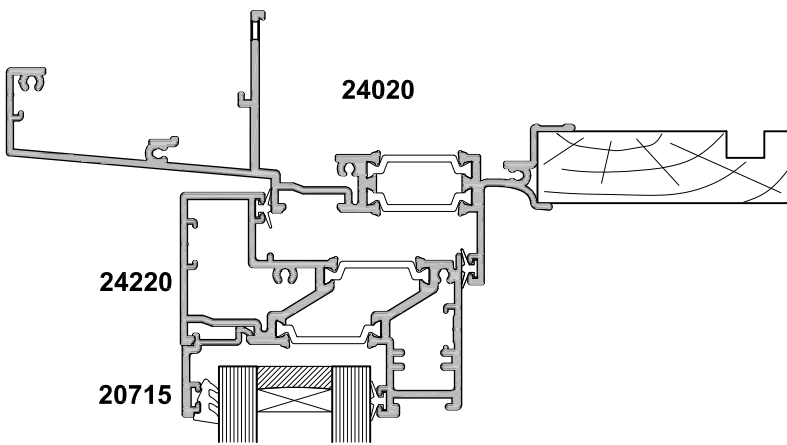
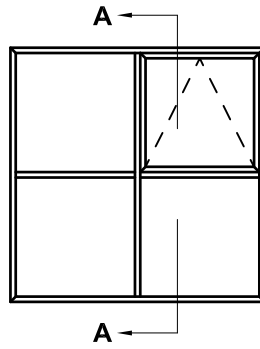
**VENTIENT AT JAMB AND
STANDARD MULLION**



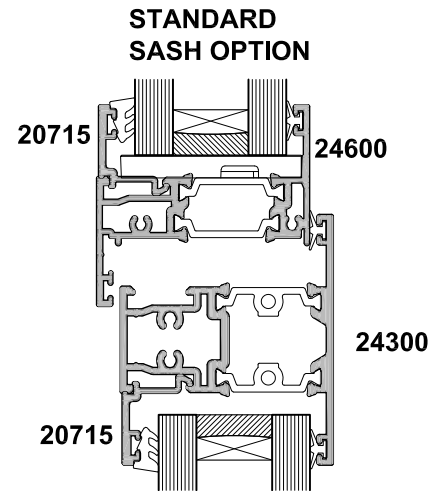
**VENTIENT AT JAMB AND
LARGE MULLION**



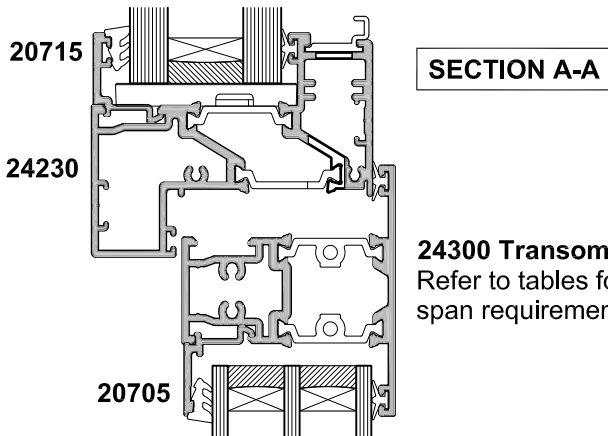
VENTIENT BETWEEN MULLIONS



**VENTED SASH
OPTION**



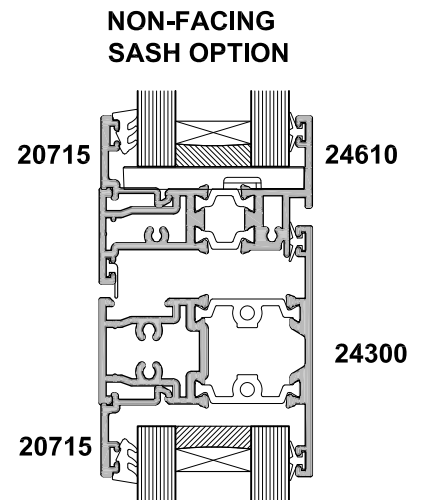
**STANDARD
SASH OPTION**



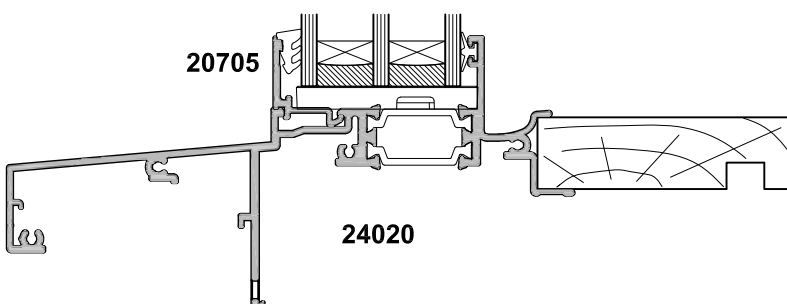
SECTION A-A

24300 Transom
Refer to tables for
span requirements

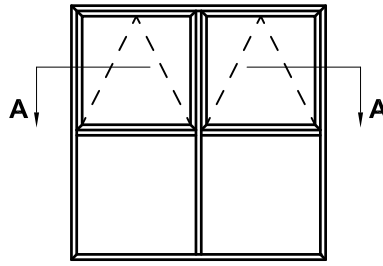
**TRIPLE GLAZE
OPTION**



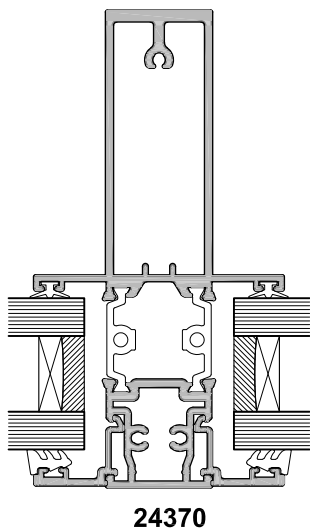
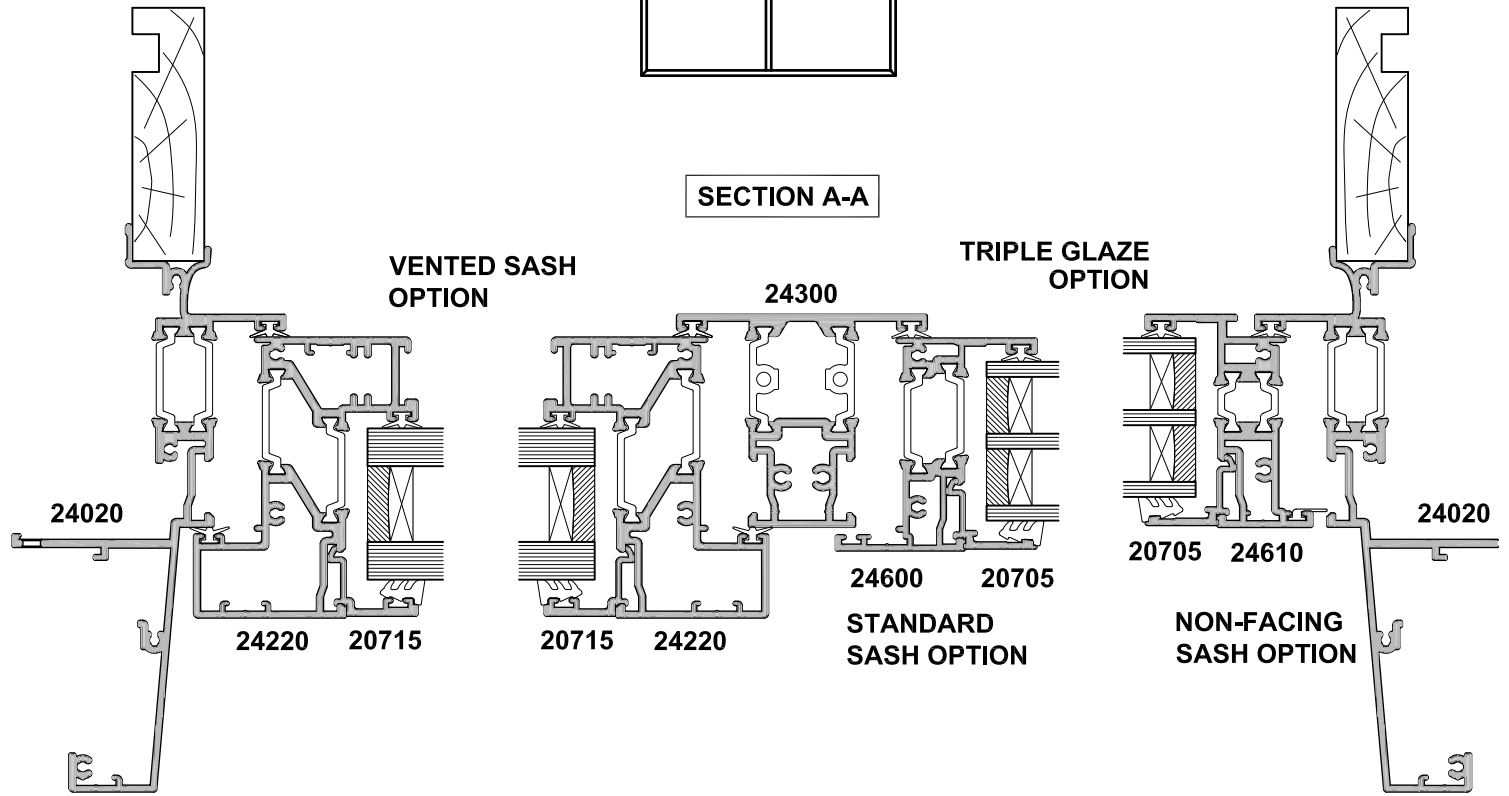
**NON-FACING
SASH OPTION**



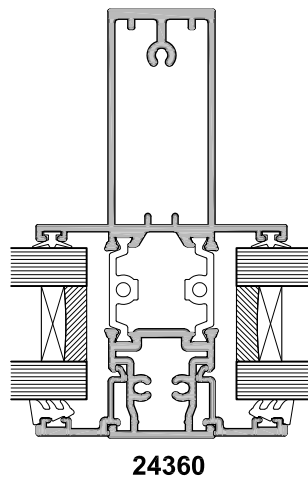
24020



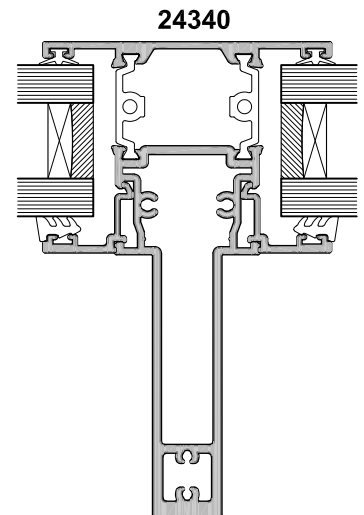
SECTION A-A



24370

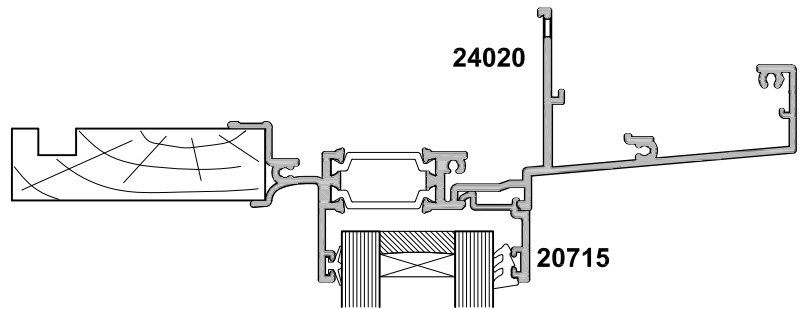
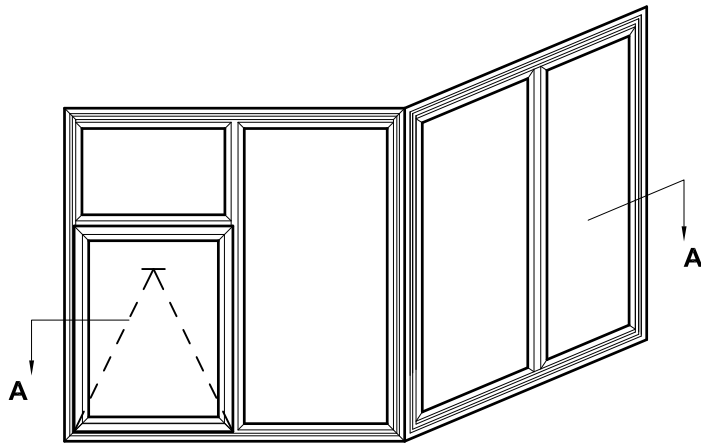


24360



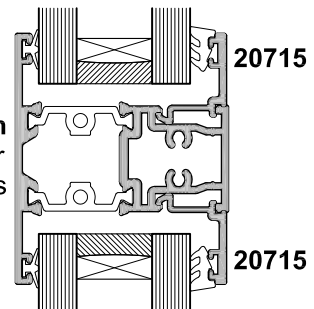
24340

MULLION / TRANSOM OPTIONS
Refer to tables for span requirements

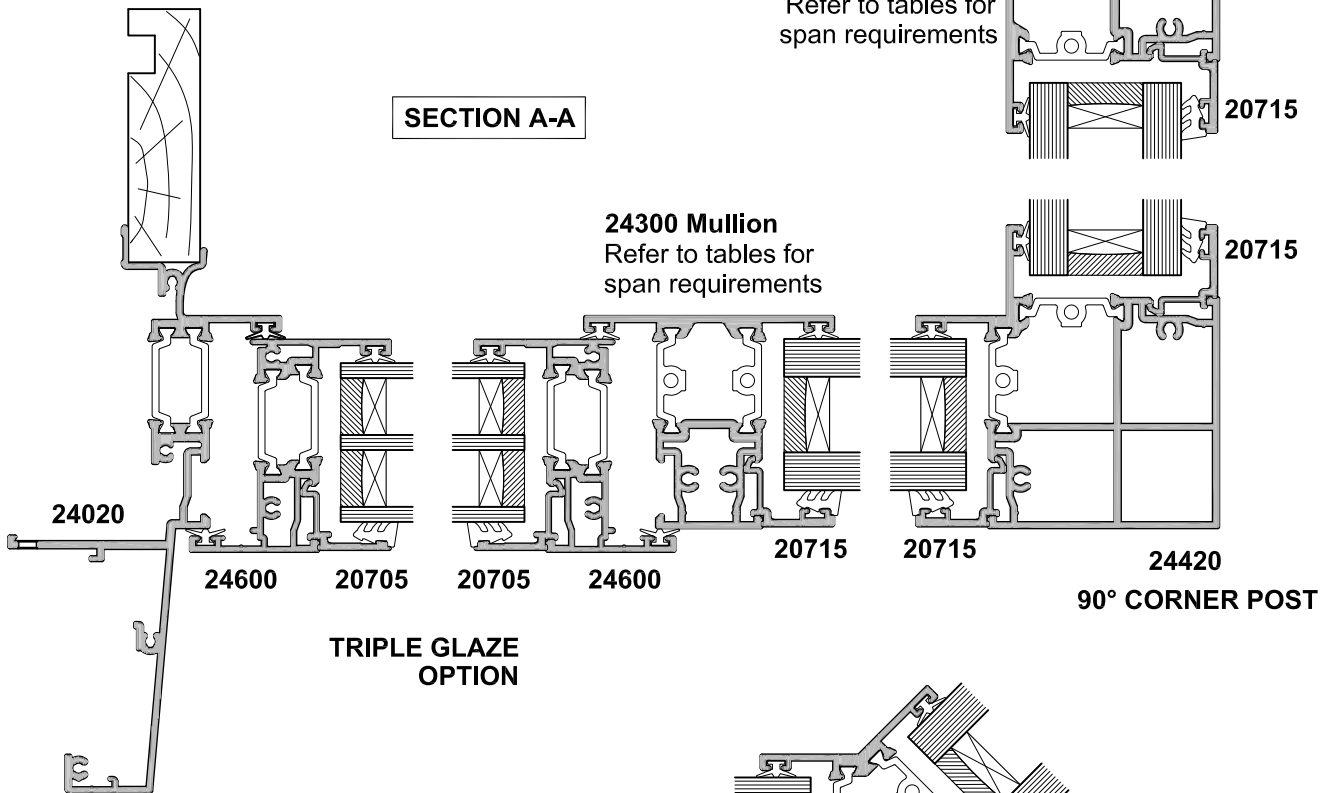
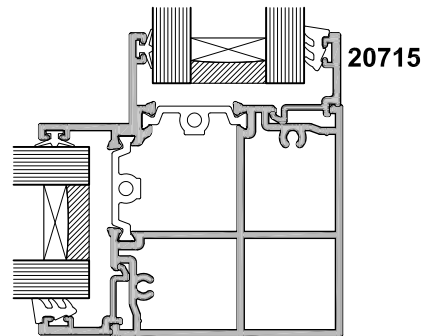


SECTION A-A

24300 Mullion
Refer to tables for span requirements



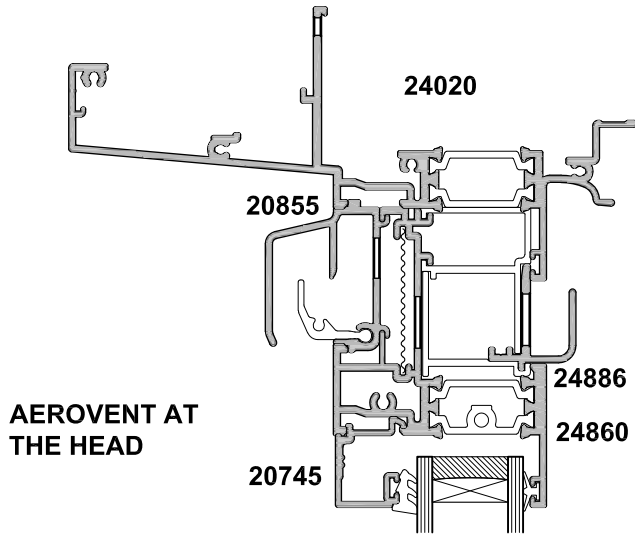
24300 Mullion
Refer to tables for span requirements



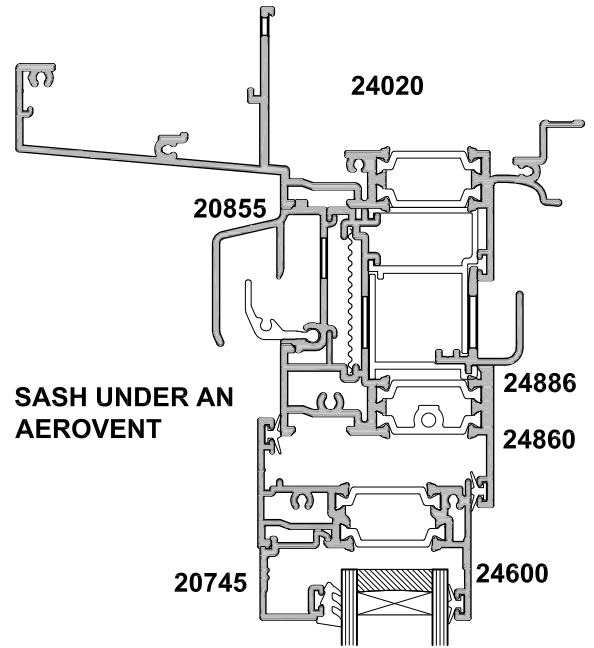
**TRIPLE GLAZE
OPTION**

90° CORNER POST

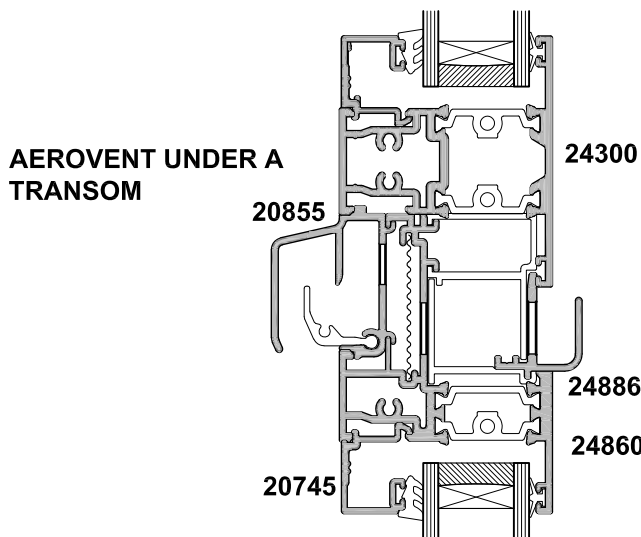
**24430
135° CORNER POST**



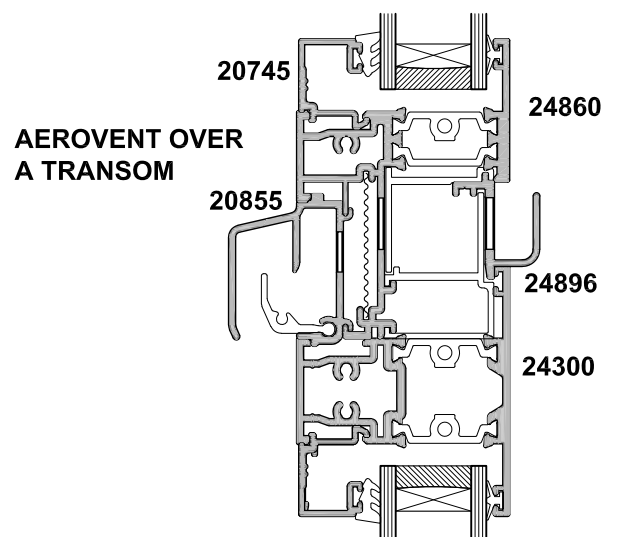
AEROVENT AT THE HEAD



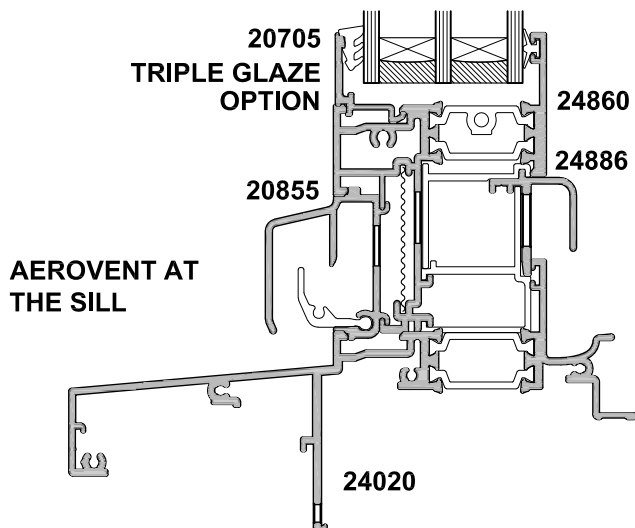
SASH UNDER AN AEROVENT



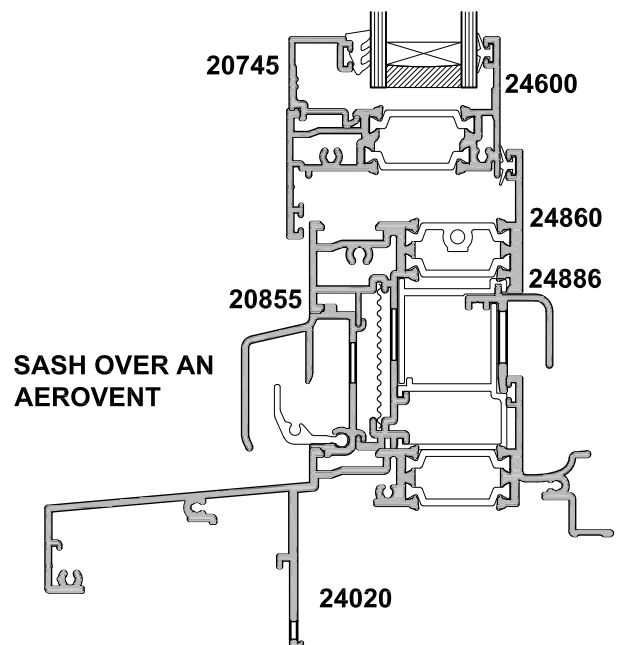
AEROVENT UNDER A TRANSOM



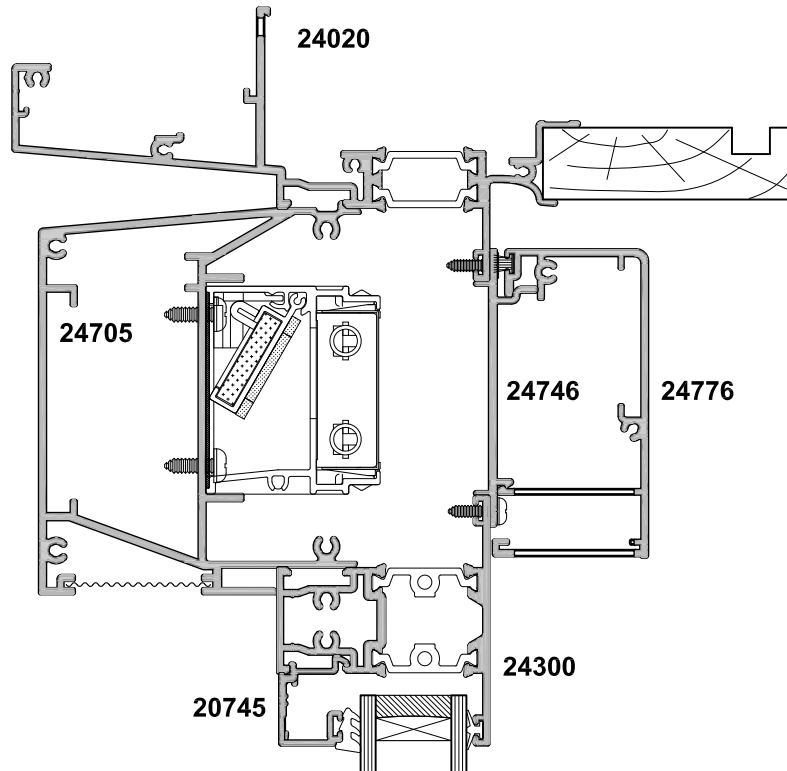
AEROVENT OVER A TRANSOM



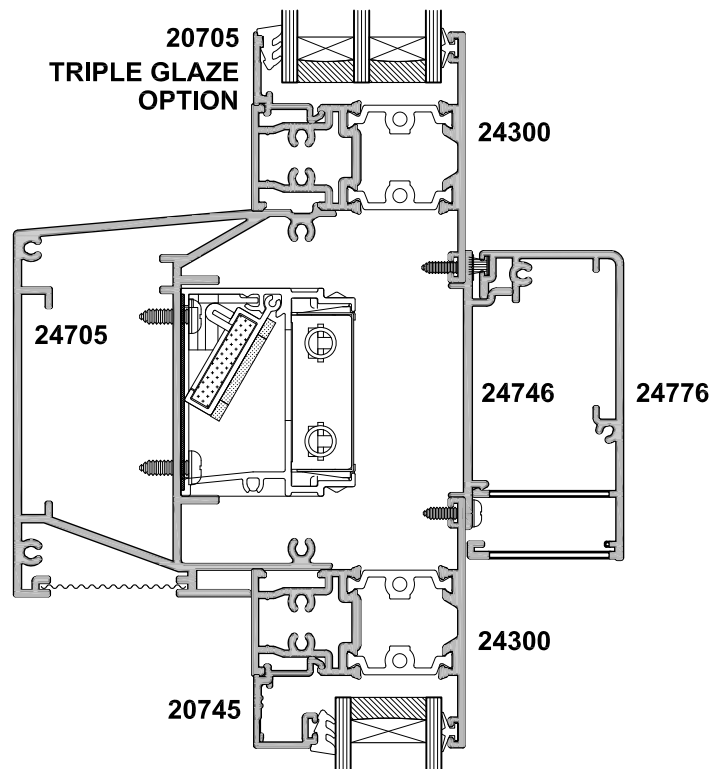
AEROVENT AT THE SILL



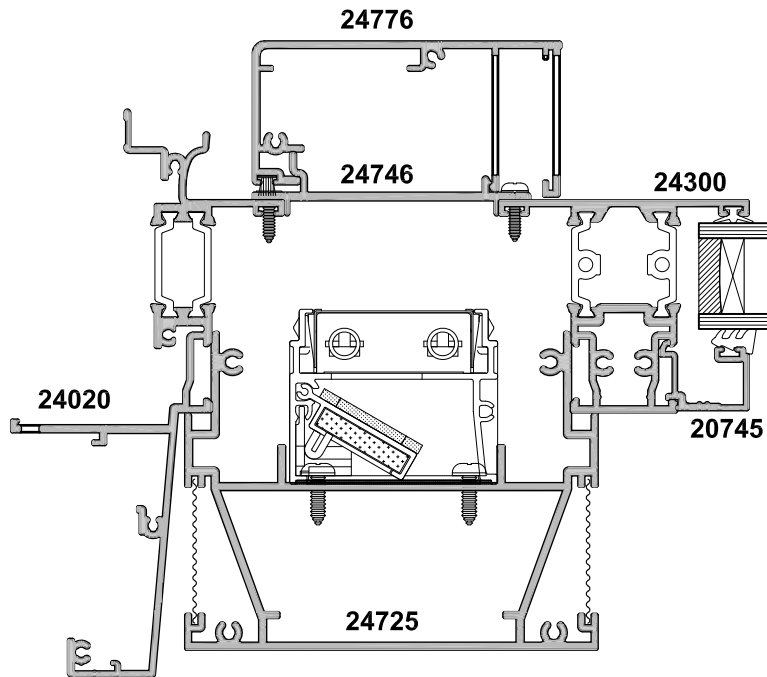
SASH OVER AN AEROVENT



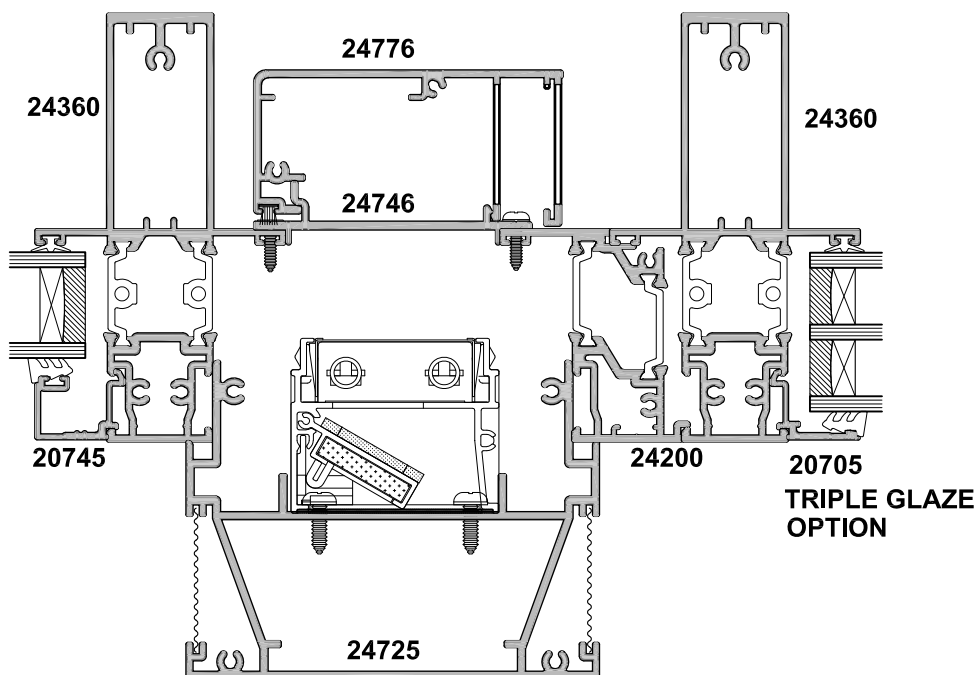
VENTIENT AT HEAD



VENTIENT UNDER TRANSOM



VENTIENT AT JAMB AND STANDARD MULLION



VENTIENT BETWEEN MULLIONS