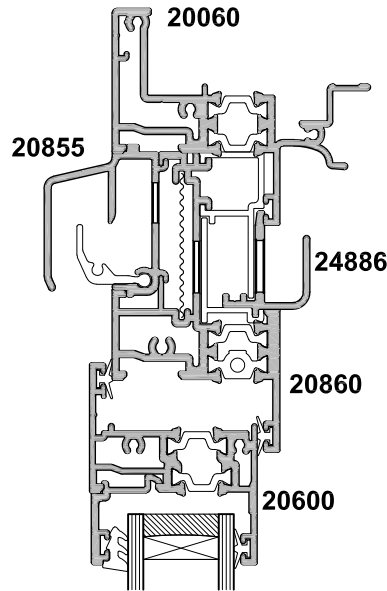
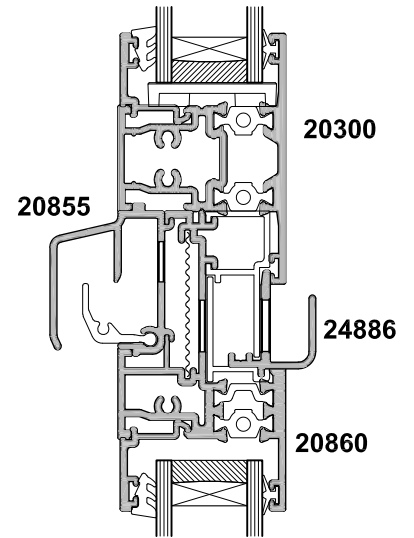


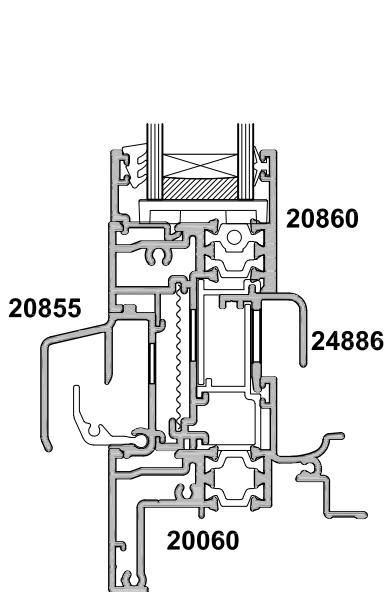
**AEROVENT AT THE HEAD
FACING FRAME**



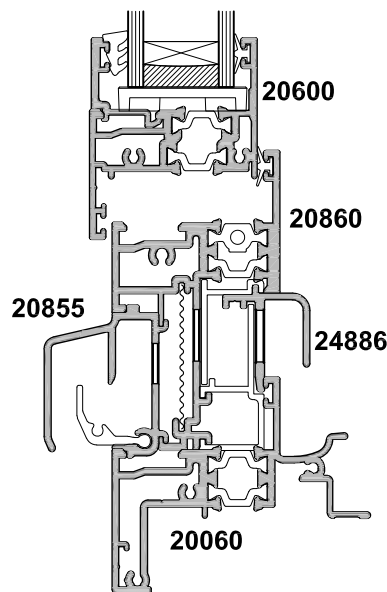
**SASH UNDER AN
AEROVENT**



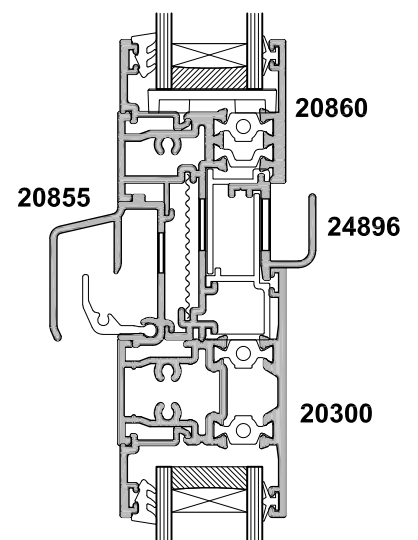
**AEROVENT UNDER A
TRANSOM**



AEROVENT AT THE SILL



**SASH OVER AN
AEROVENT**



**AEROVENT OVER A
TRANSOM**