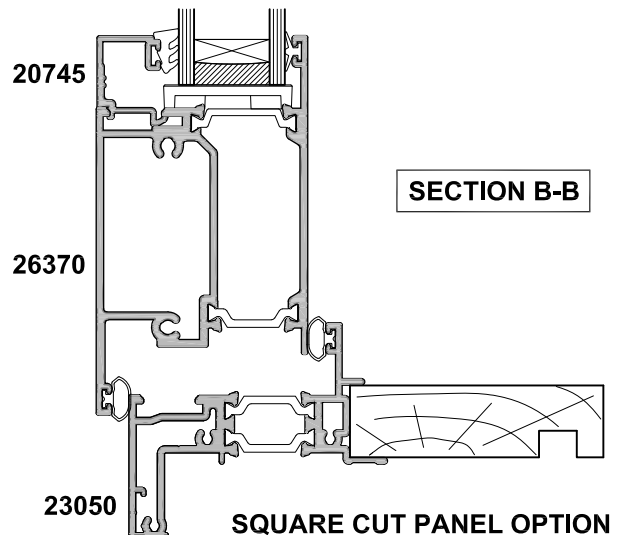
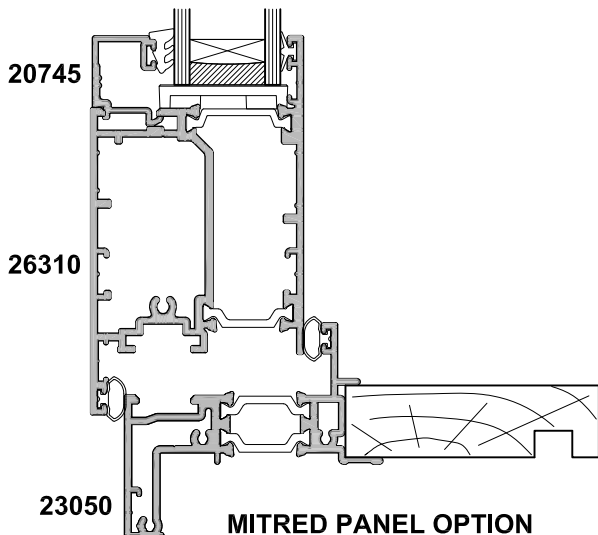
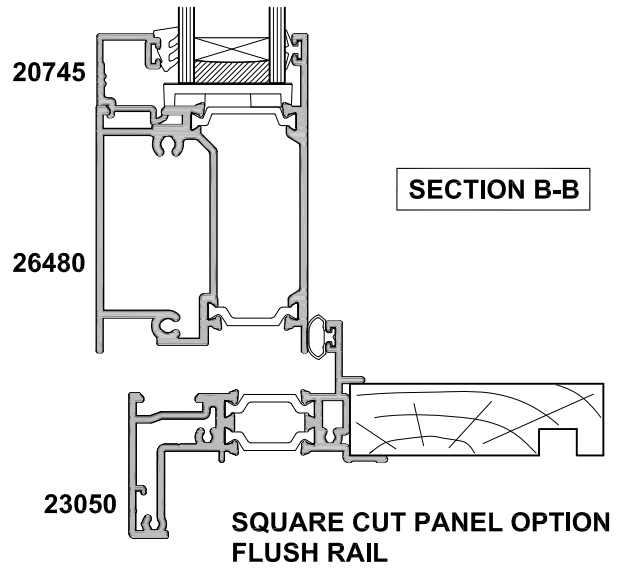
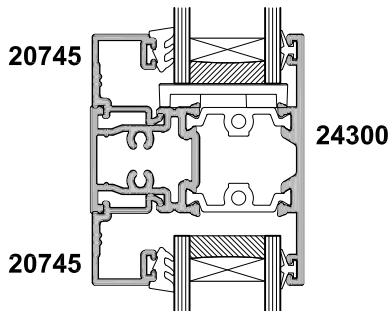
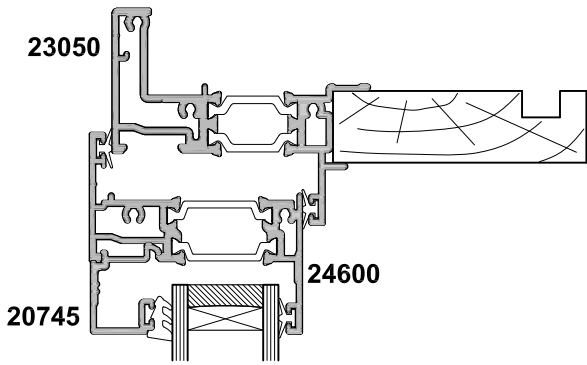


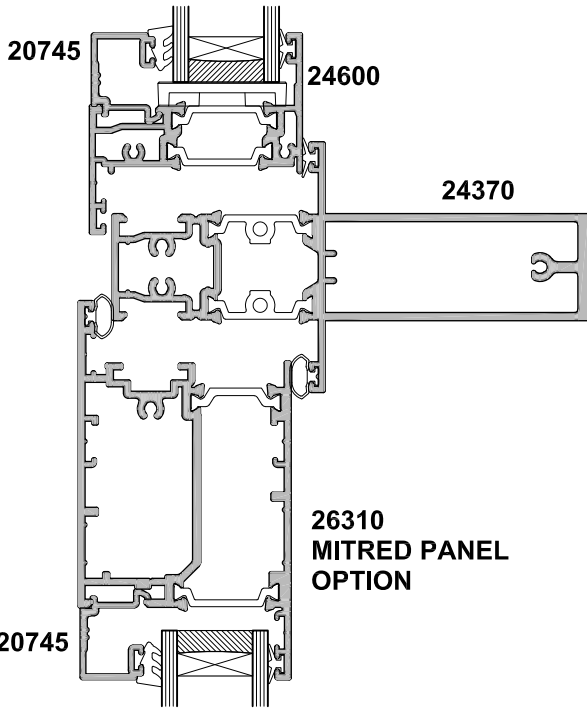
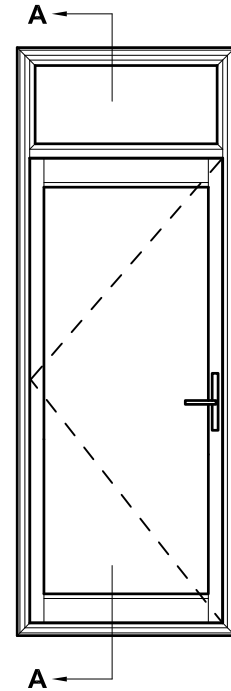
**SECTION A-A**



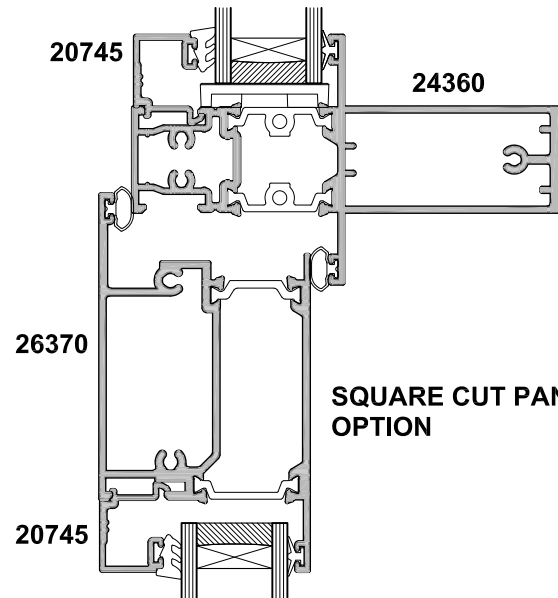


**56mm SASH**

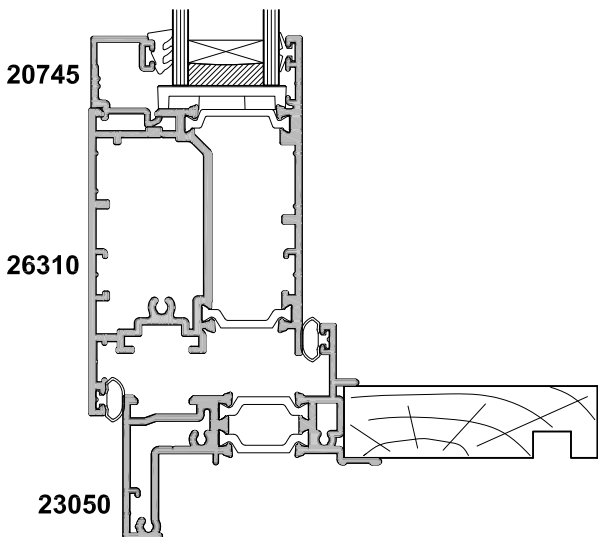
**SECTION A-A**

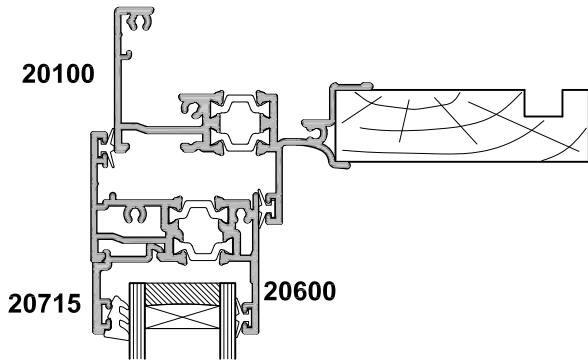


**26310**  
**MITRED PANEL**  
**OPTION**



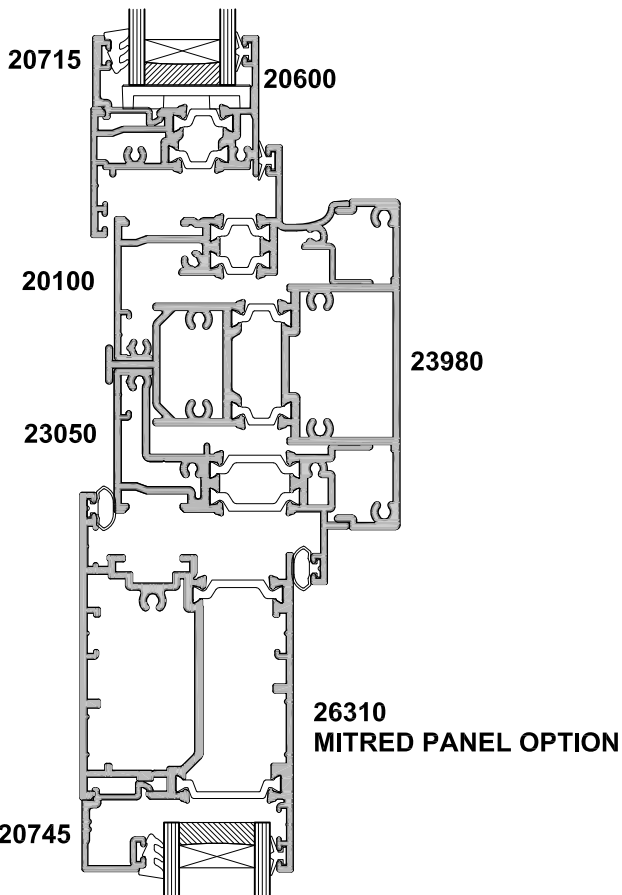
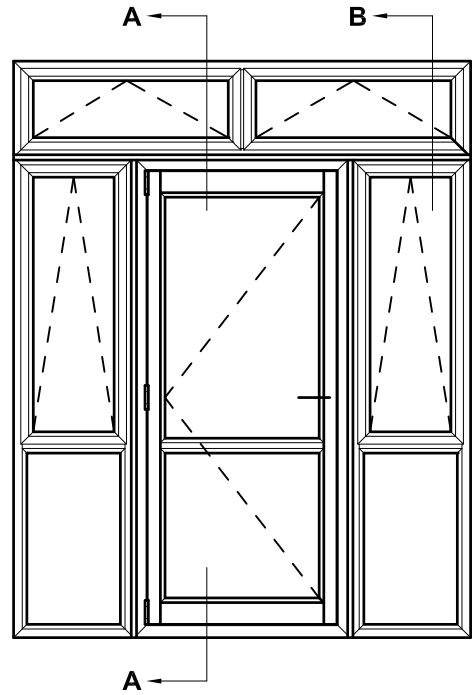
**SQUARE CUT PANEL**  
**OPTION**



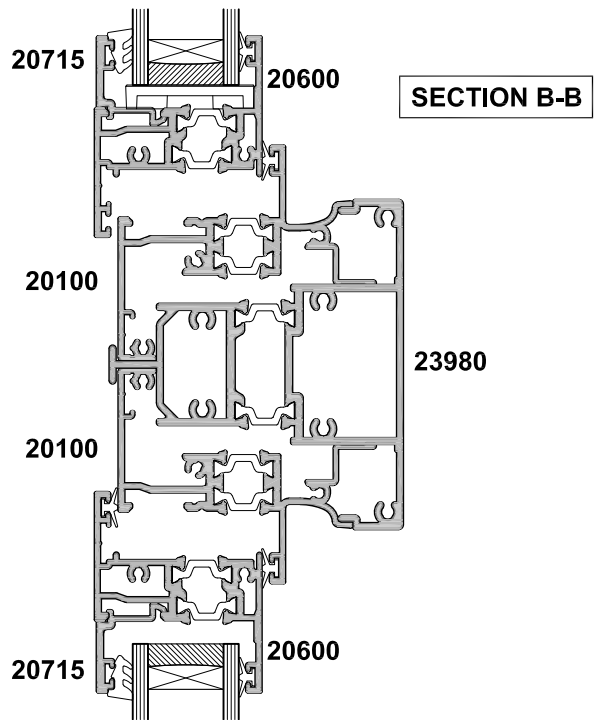


44mm SASH

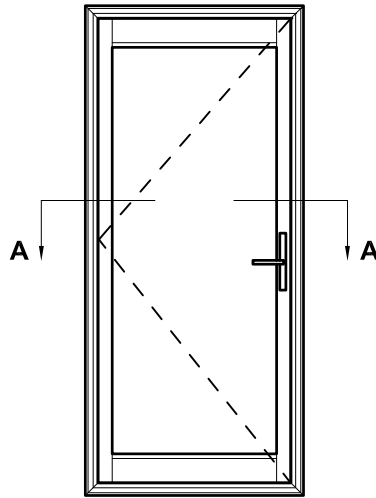
SECTION A-A



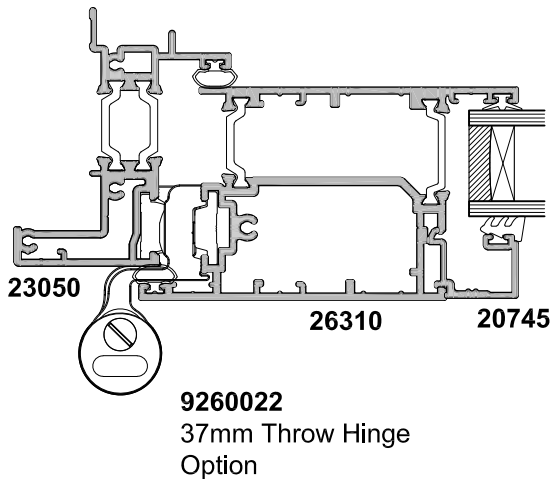
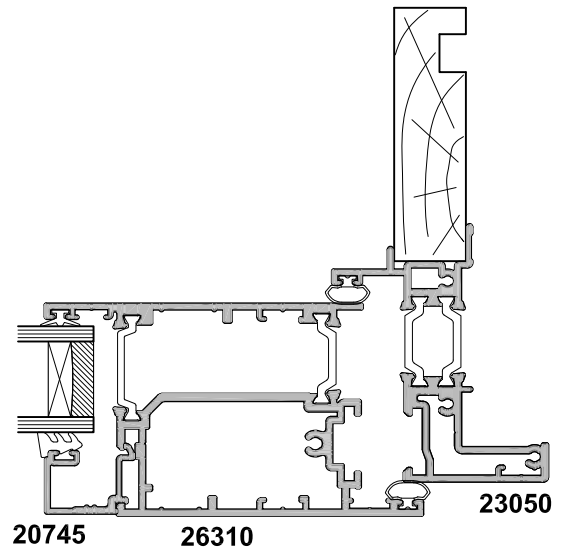
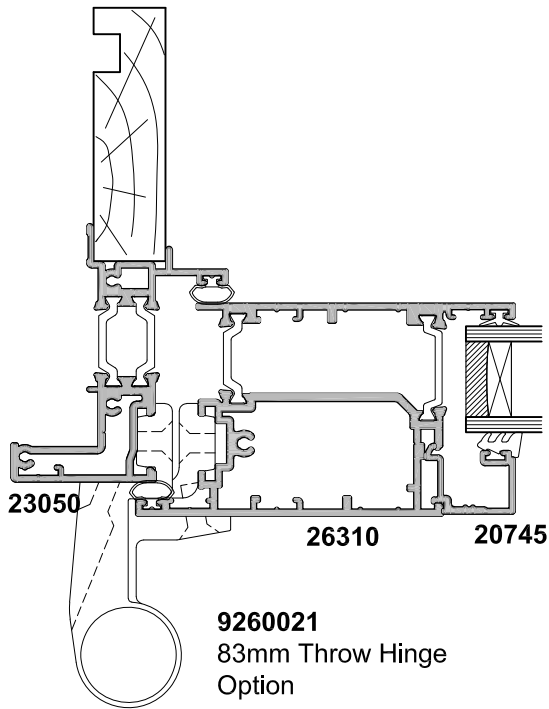
26310  
MITRED PANEL OPTION

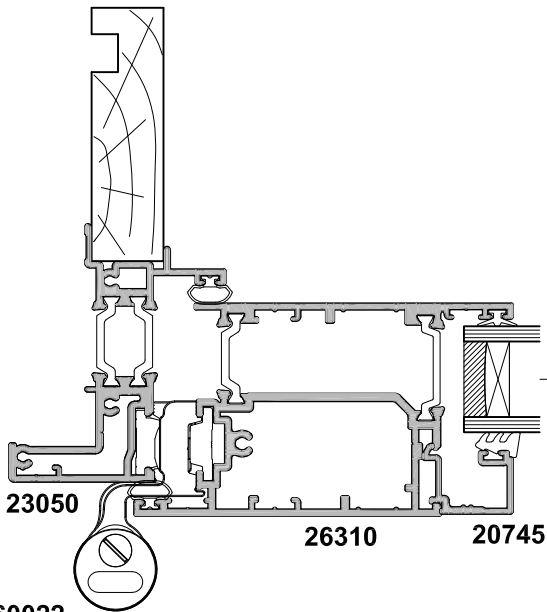
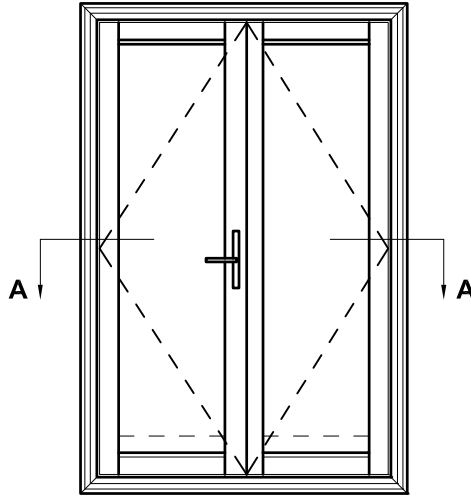


SECTION B-B



SECTION A-A

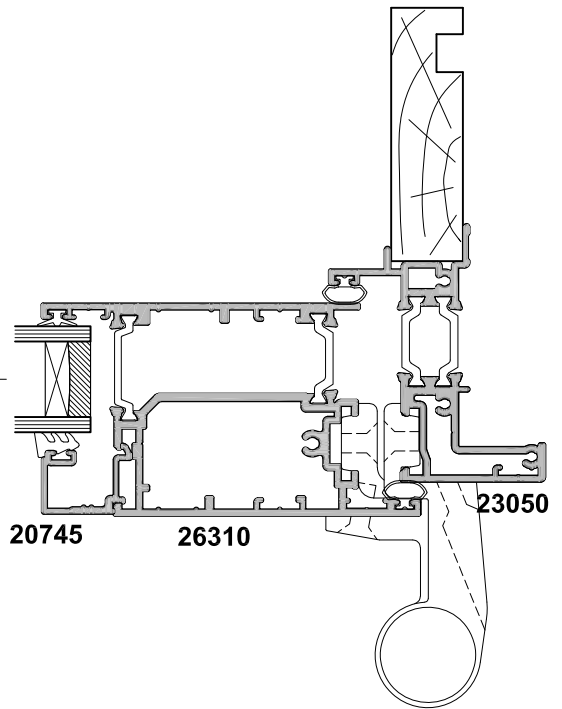




23050 26310 20745

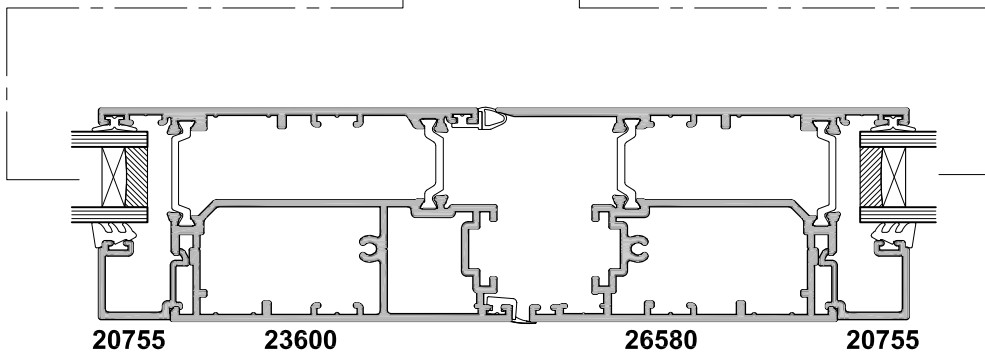
**9260022**  
37mm Throw Hinge  
Option

**SECTION A-A**

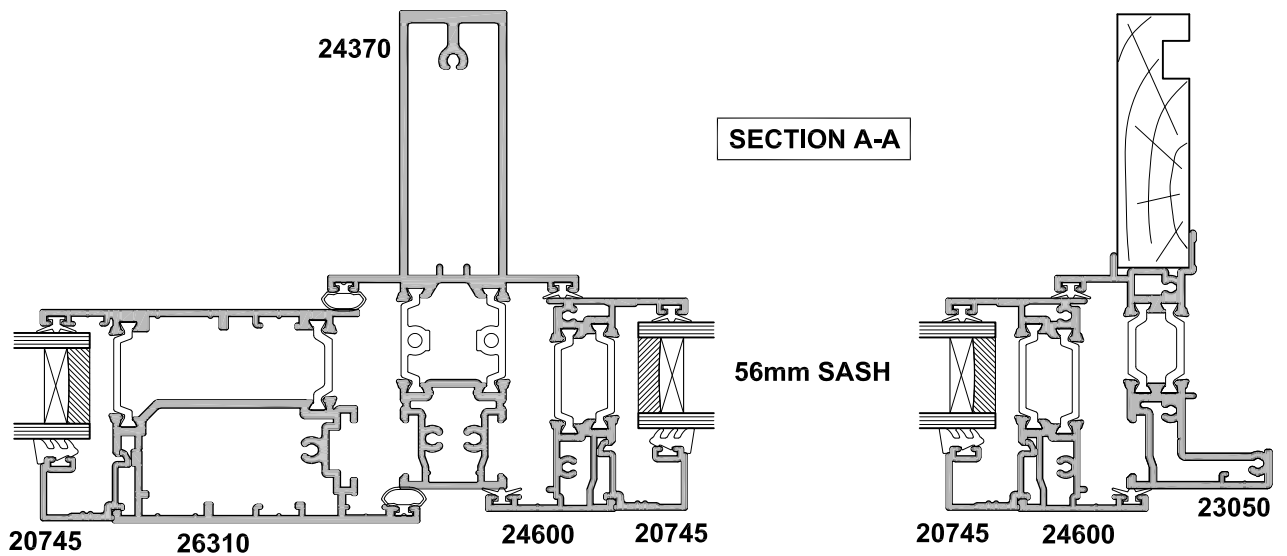
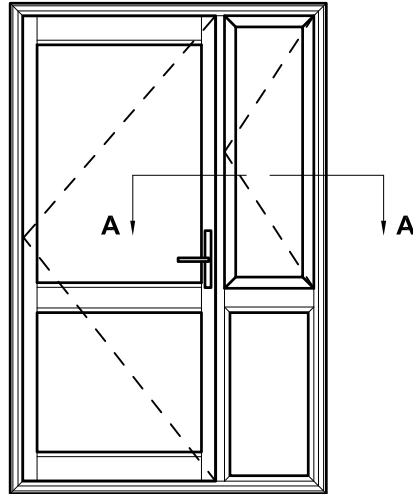


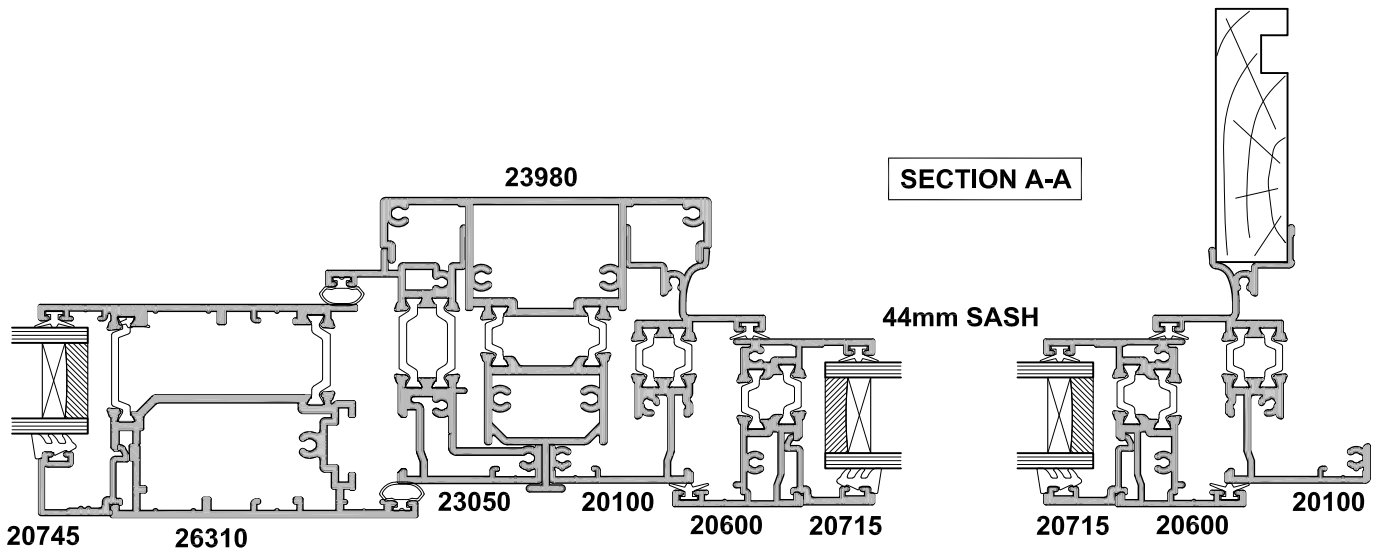
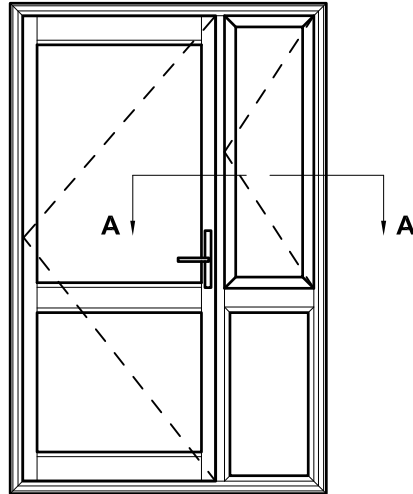
20745 26310 23050

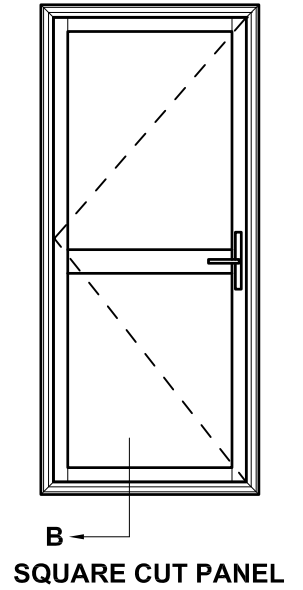
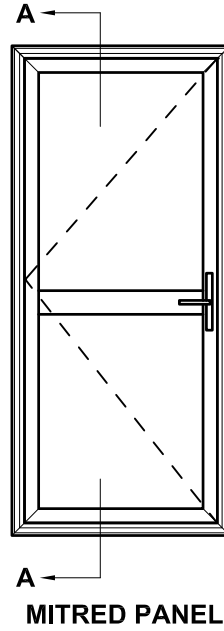
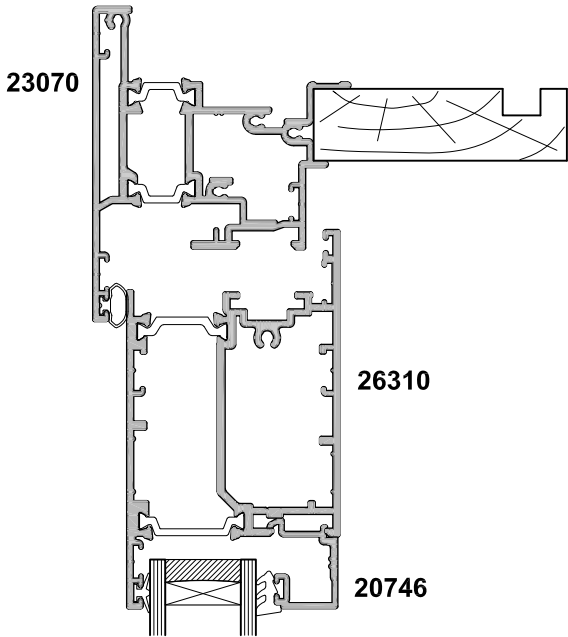
**9260021**  
83mm Throw Hinge  
Option



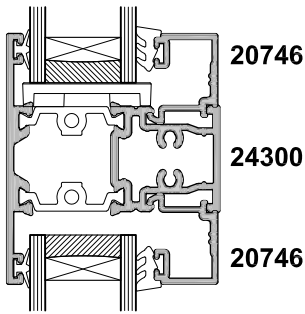
20755 23600 26580 20755







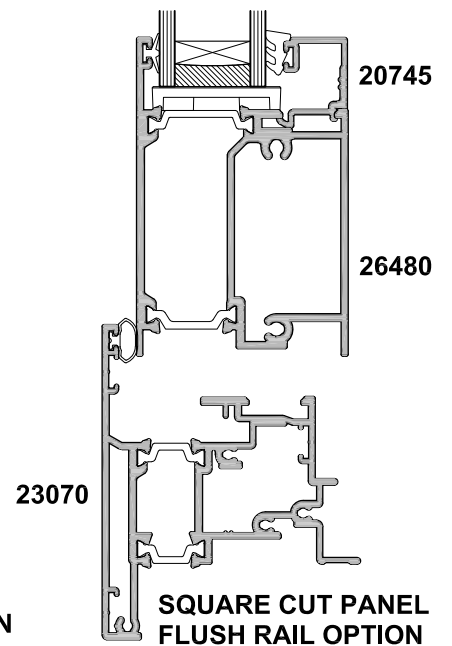
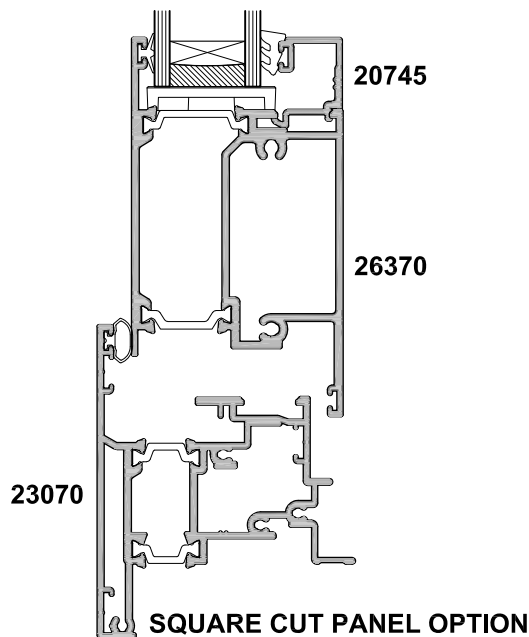
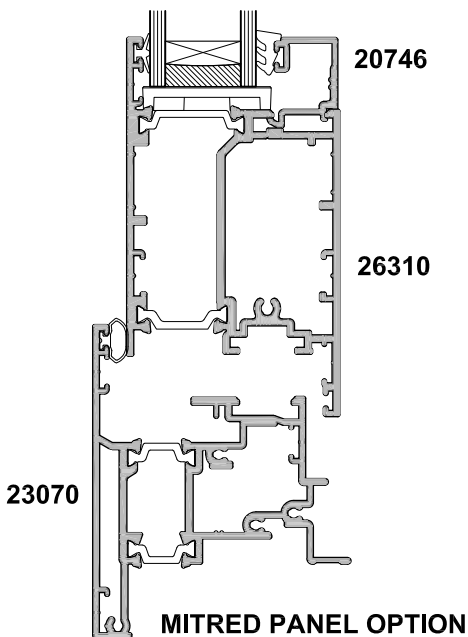
SECTION A-A



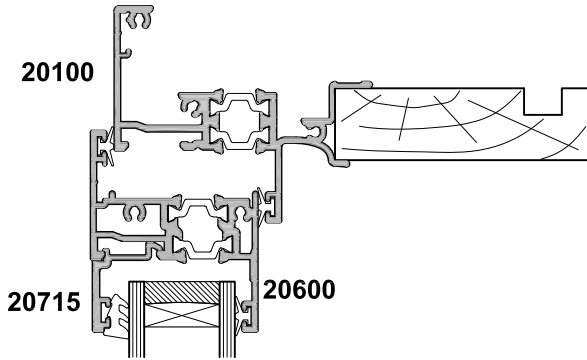
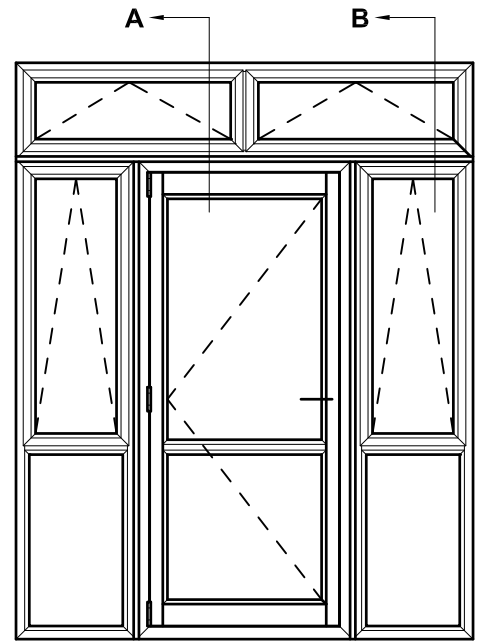
SECTION A-A

SECTION B-B

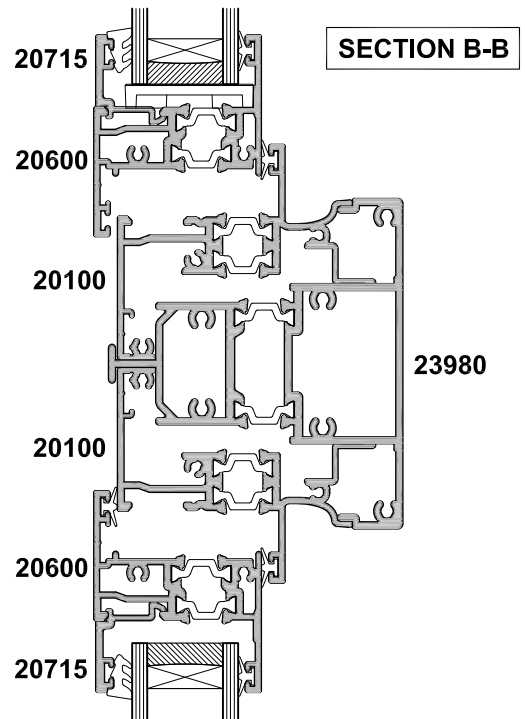
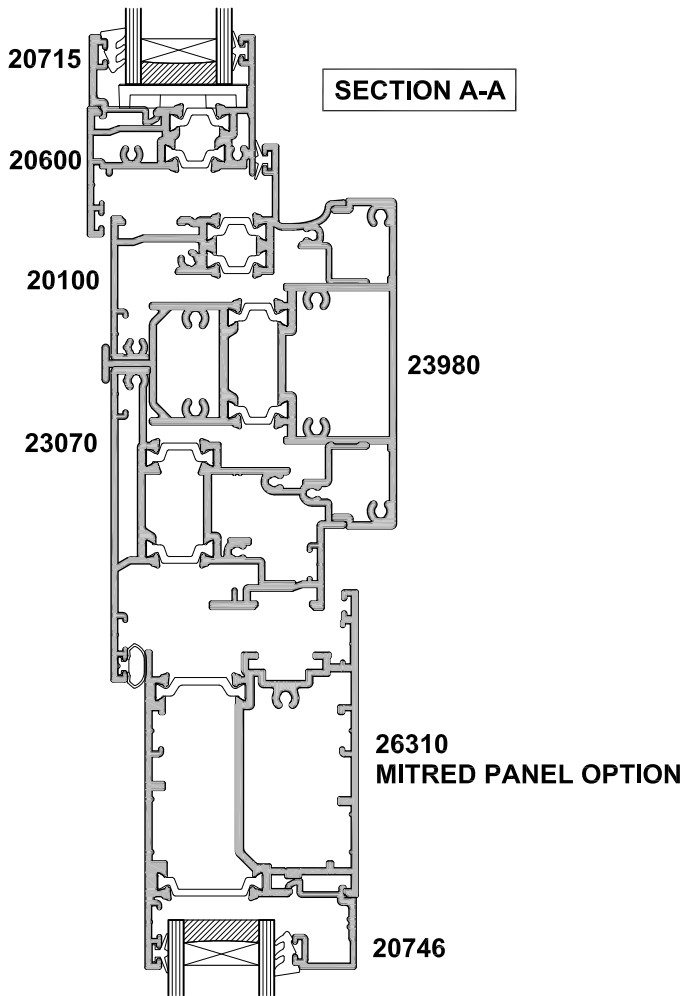
SECTION B-B

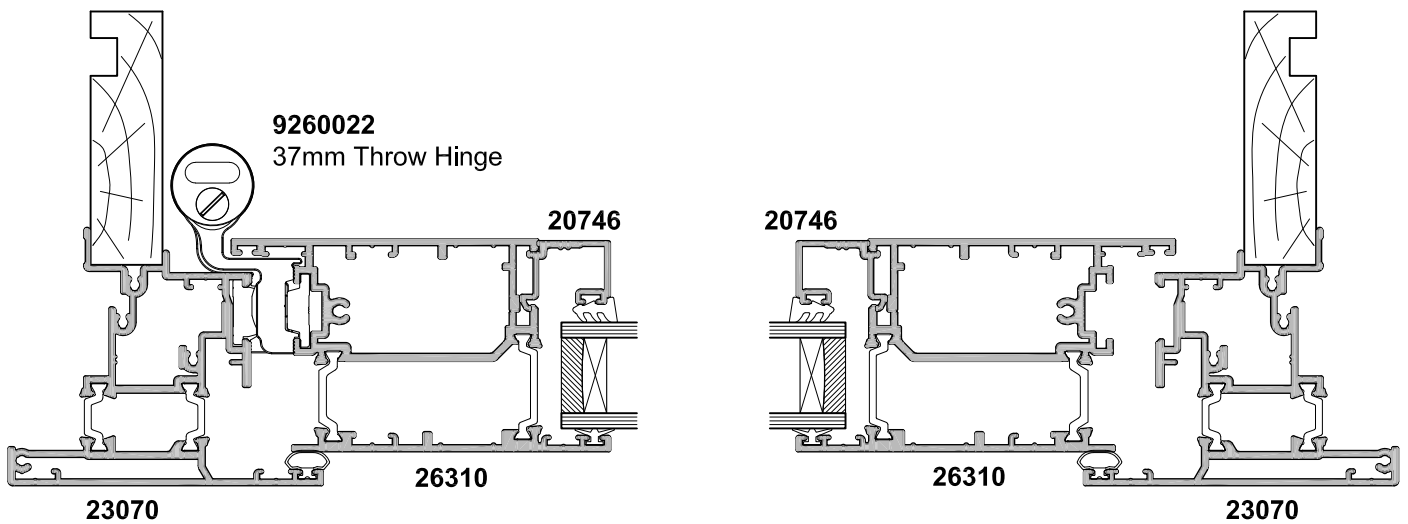
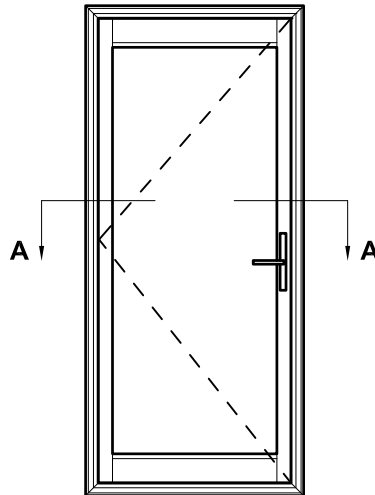






**44mm SASH**





SECTION A-A

