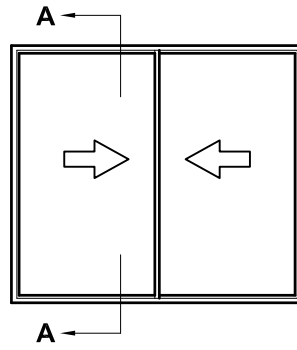
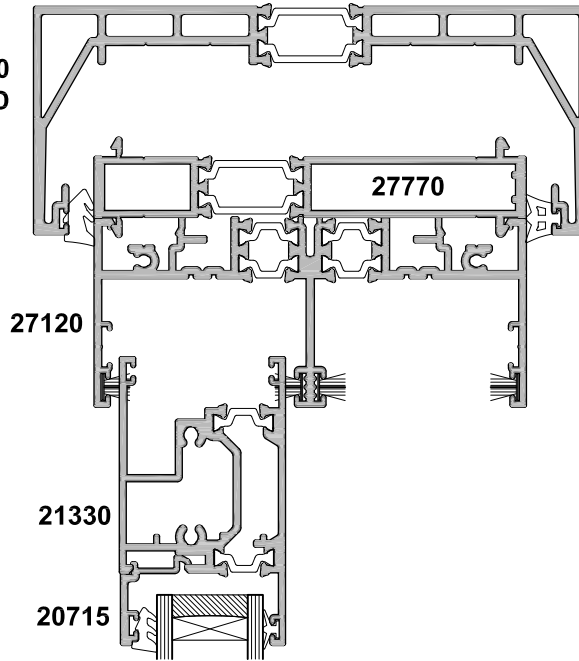


**NOTE:**

Very High and Extra High wind zones are not applicable as the Channel slider has not achieved a water pass for these zones.



**31010  
SEISMIC HEAD**



**SECTION A-A**

**28120  
SEISMIC SILL**

