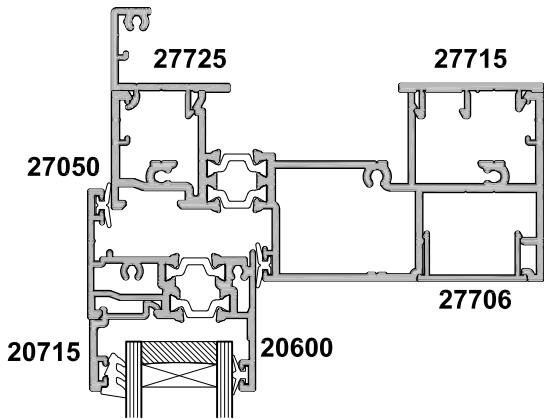
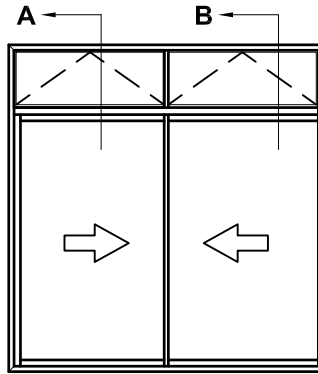


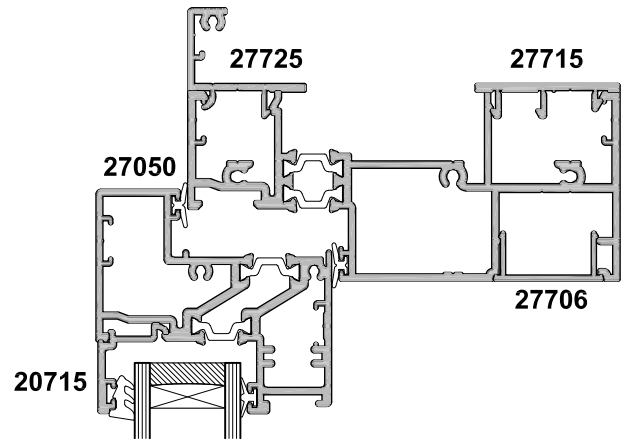
NOTE:

Very High and Extra High wind zones are not applicable as the Channel slider has not achieved a water pass for these zones.



**STANDARD
SASH OPTION**

SECTION A-A



**VENTED SASH
OPTION**

SECTION B-B

