

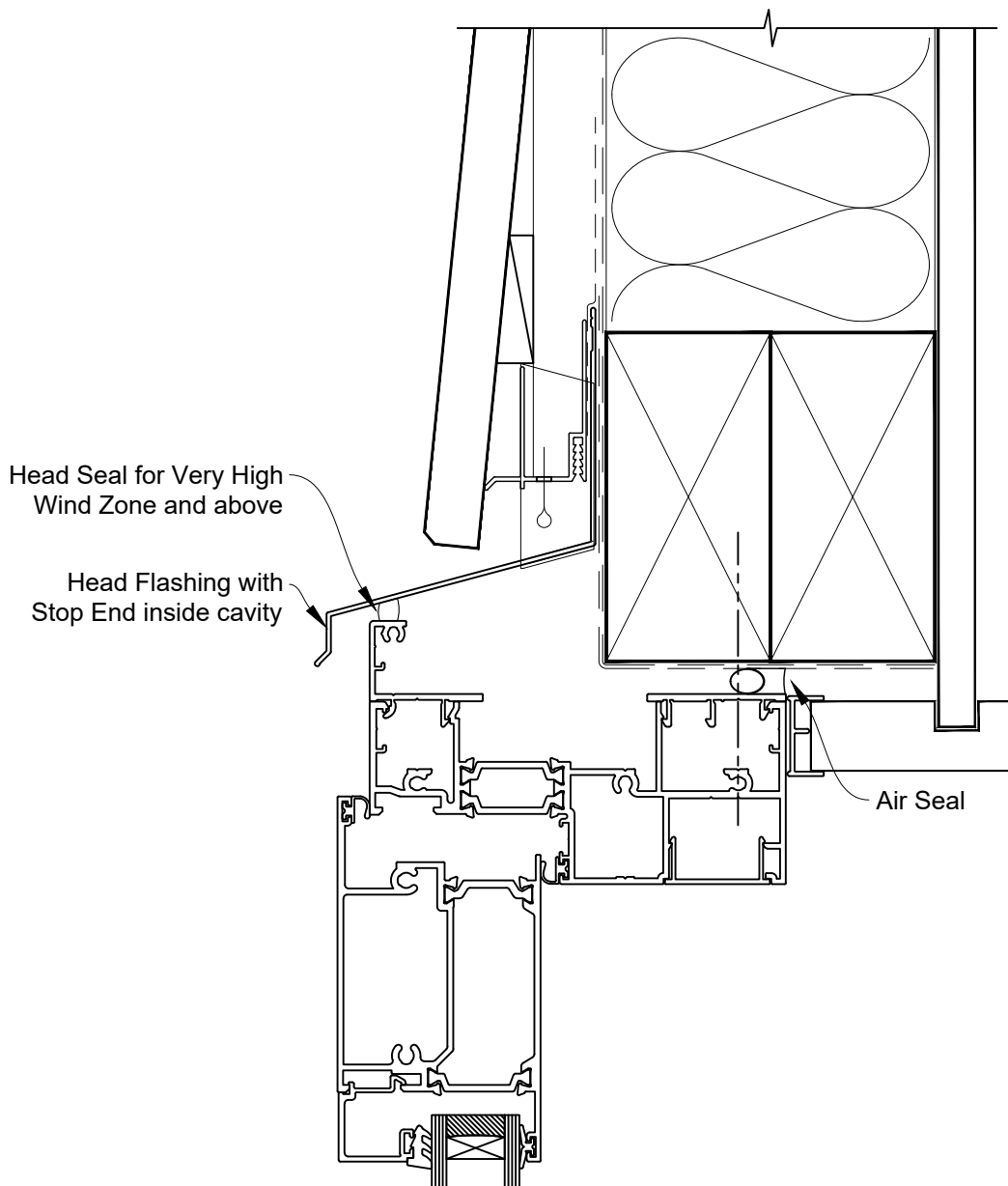


# INSTALLATION DETAIL - ARCHITECTURAL THERMAL HEART HINGED DOOR OPEN OUT ON BEVELBACK WEATHERBOARD CAVITY CONSTRUCTION

Date: 01.09.23

Scale: 1:2

CAD Ref.: TAHOBW-CH



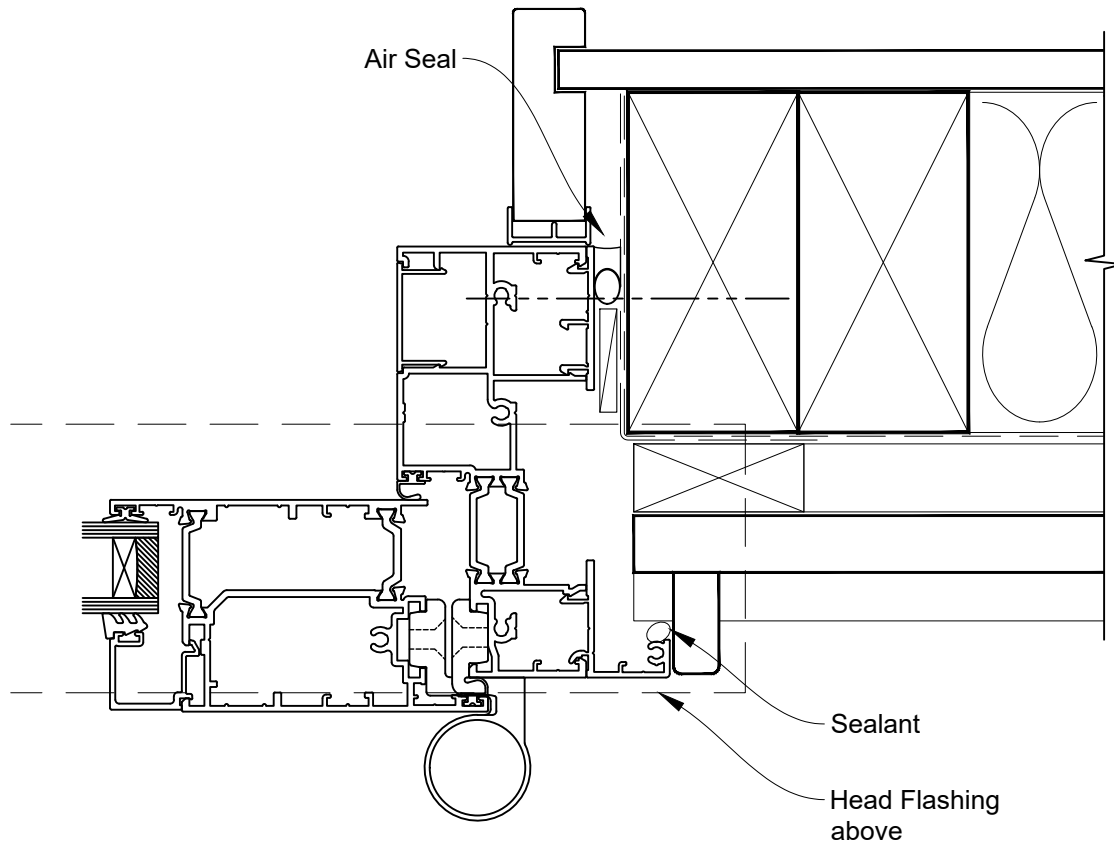


# INSTALLATION DETAIL - ARCHITECTURAL THERMAL HEART HINGED DOOR OPEN OUT ON BEVELBACK WEATHERBOARD CAVITY CONSTRUCTION

Date: 01.09.23

Scale: 1:2

CAD Ref.: TAHOBW-CJ





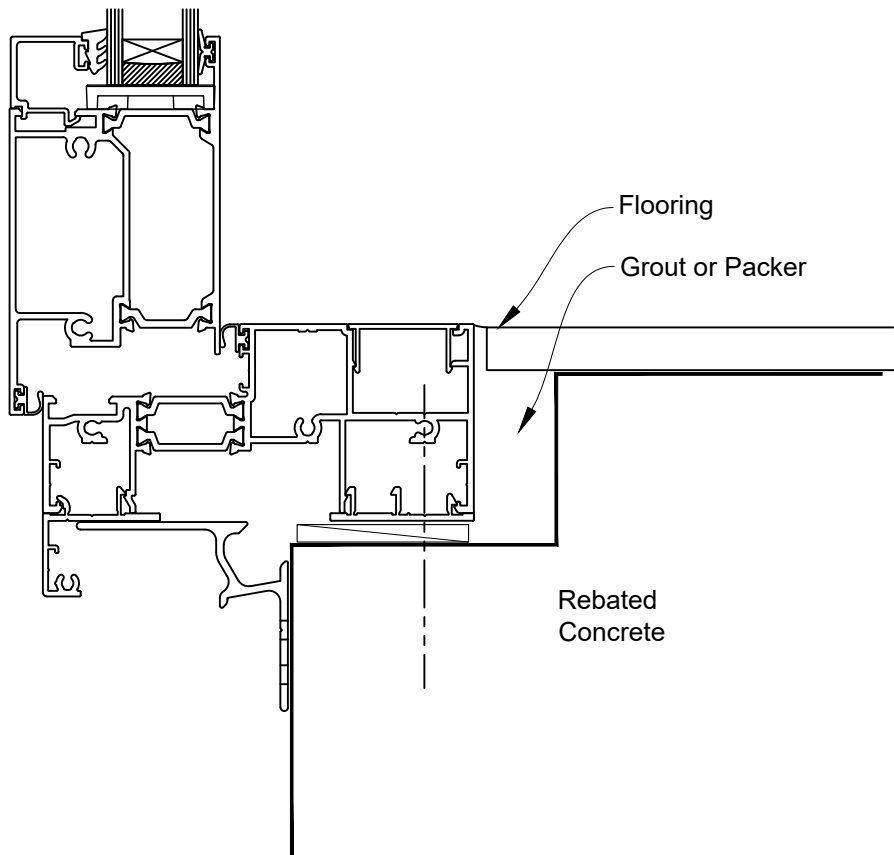
# INSTALLATION DETAIL - ARCHITECTURAL THERMAL HEART HINGED DOOR OPEN OUT ON BEVELBACK WEATHERBOARD CAVITY CONSTRUCTION

Date: 01.09.23

Scale: 1:2

CAD Ref.: TAHOBW-CS

## FLANGED BOTTOM RAIL OPTION ON FACING INFILL





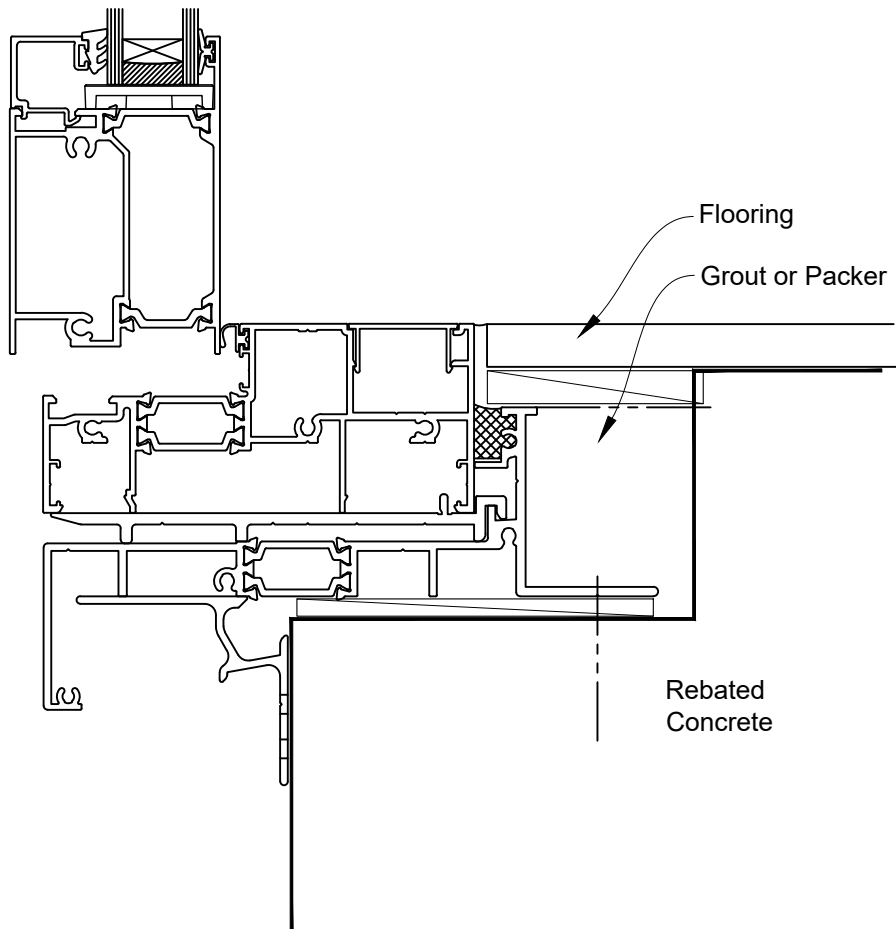
# INSTALLATION DETAIL - ARCHITECTURAL THERMAL HEART HINGED DOOR OPEN OUT ON BEVELBACK WEATHERBOARD CAVITY CONSTRUCTION

Date: 01.09.23

Scale: 1:2

CAD Ref.: TAHOBW-CS2

## FLUSH BOTTOM RAIL OPTION ON SILL TRAY



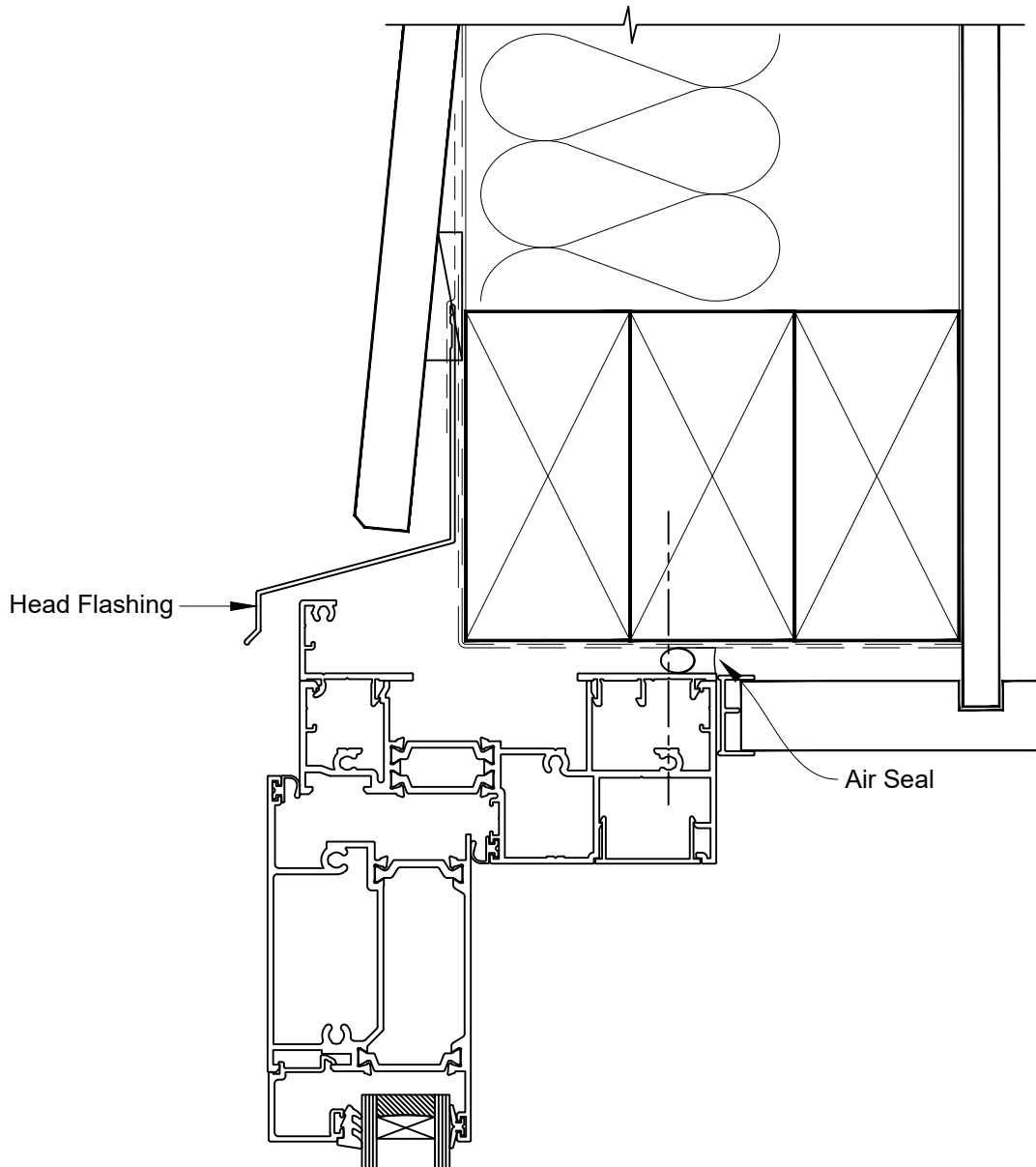


# INSTALLATION DETAIL - ARCHITECTURAL THERMAL HEART HINGED DOOR OPEN OUT ON BEVELBACK WEATHERBOARD DIRECT FIXED CLADDING

Date: 01.09.23

Scale: 1:2

CAD Ref.: TAHOBW-DH



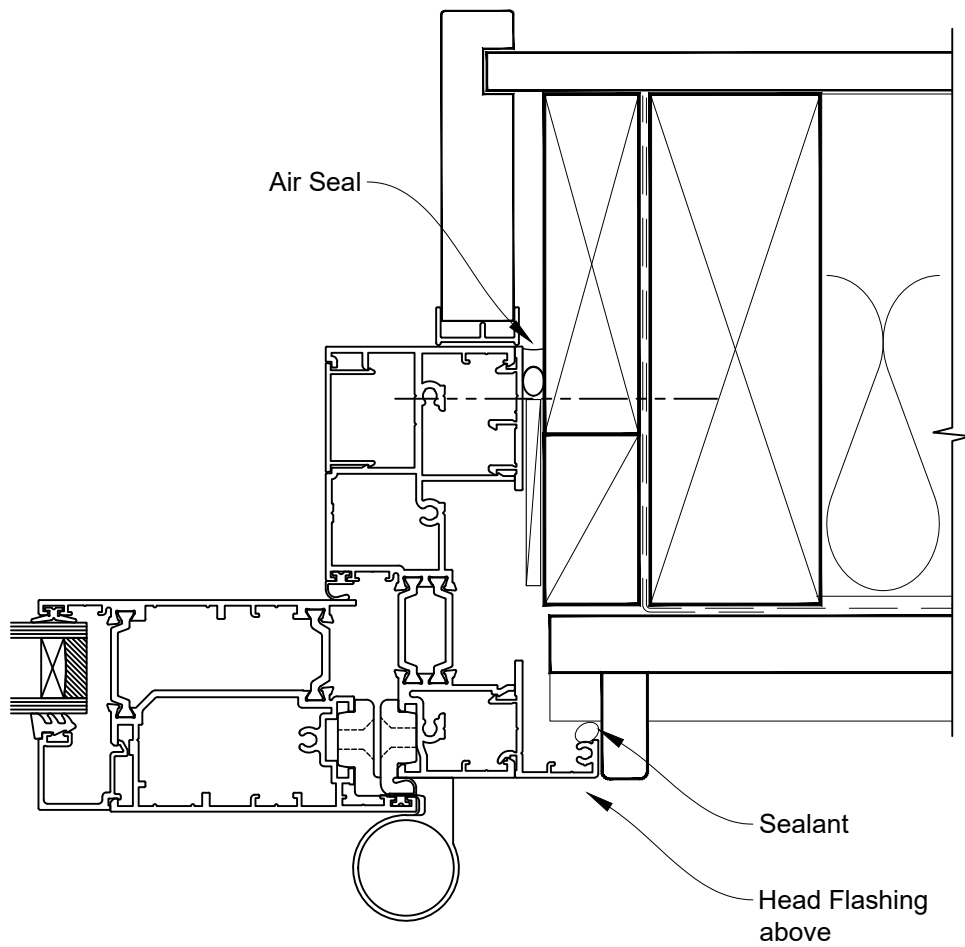


# INSTALLATION DETAIL - ARCHITECTURAL THERMAL HEART HINGED DOOR OPEN OUT ON BEVELBACK WEATHERBOARD DIRECT FIXED CLADDING

Date: 01.09.23

Scale: 1:2

CAD Ref.: TAHOBW-DJ





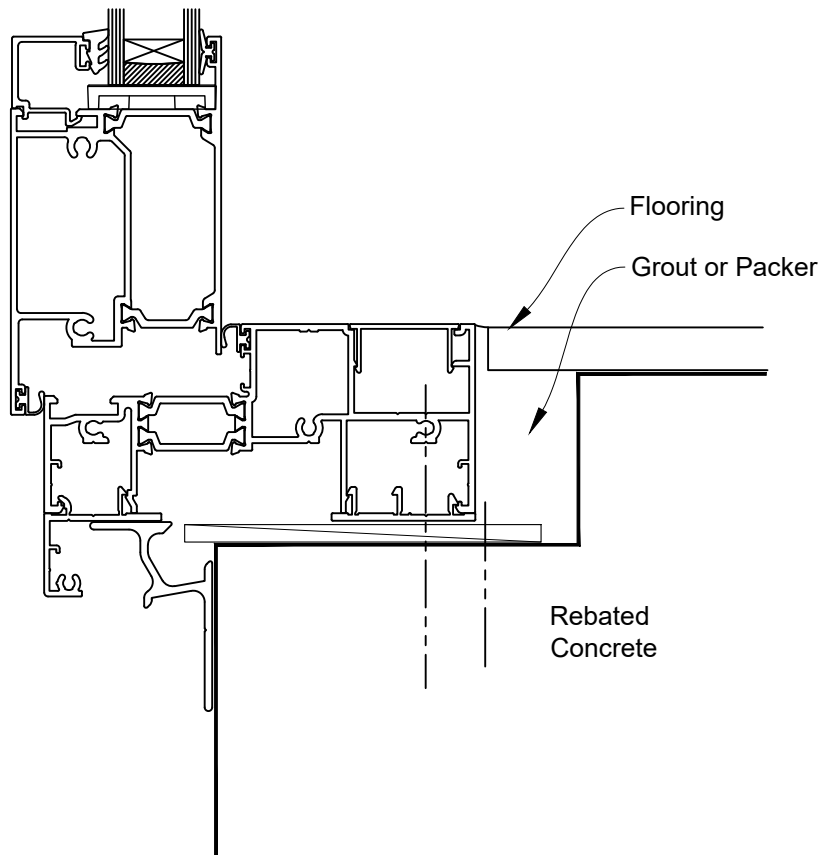
# INSTALLATION DETAIL - ARCHITECTURAL THERMAL HEART HINGED DOOR OPEN OUT ON BEVELBACK WEATHERBOARD DIRECT FIXED CLADDING

Date: 01.09.23

Scale: 1:2

CAD Ref.: TAHOBW-DS

## FLANGED BOTTOM RAIL OPTION ON FACING INFILL





# INSTALLATION DETAIL - ARCHITECTURAL THERMAL HEART HINGED DOOR OPEN OUT ON BEVELBACK WEATHERBOARD DIRECT FIXED CLADDING

Date: 01.09.23

Scale: 1:2

CAD Ref.: TAHOBW-DS2

## FLUSH BOTTOM RAIL OPTION ON SILL TRAY

