

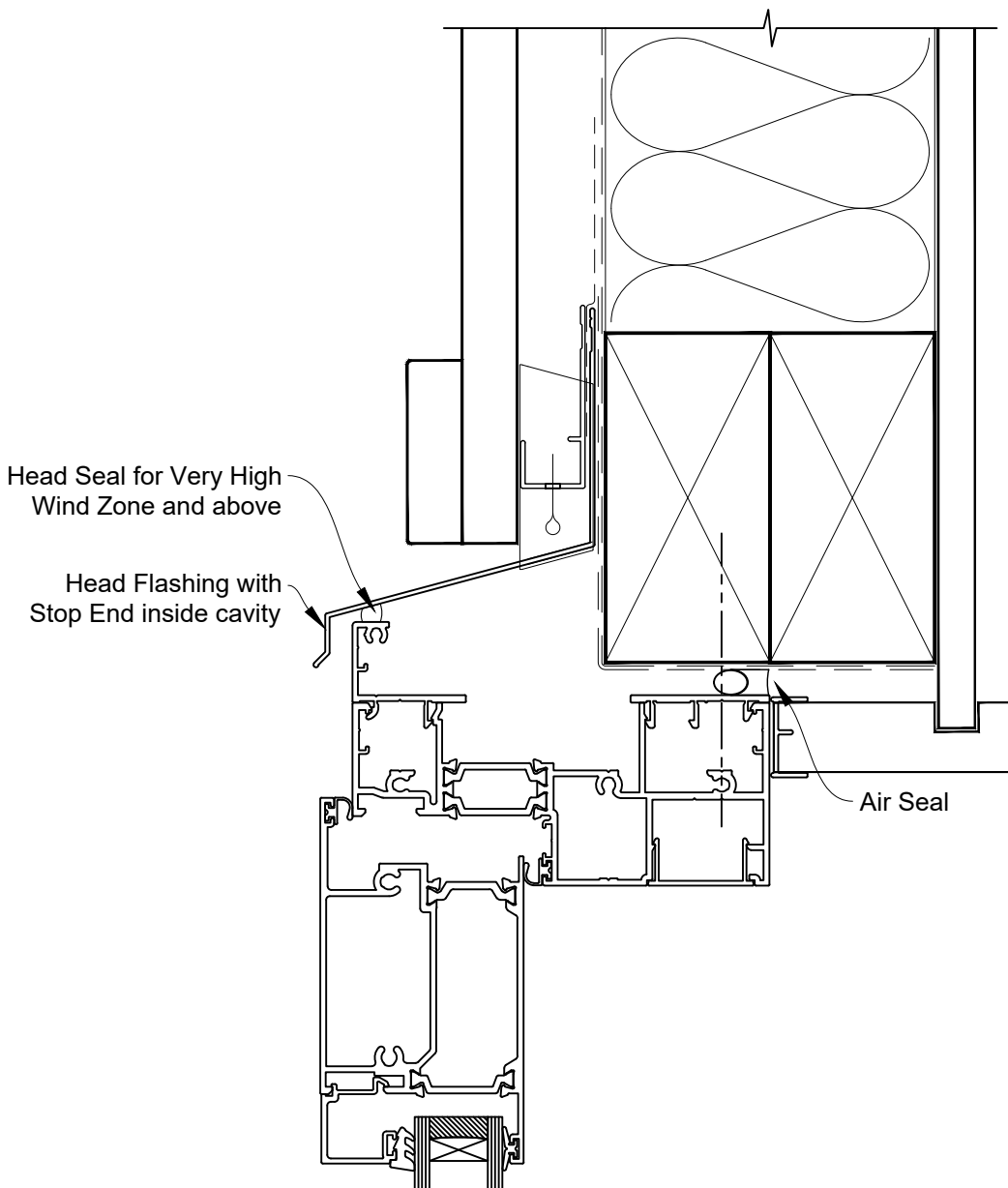


# INSTALLATION DETAIL - ARCHITECTURAL THERMAL HEART HINGED DOOR OPEN OUT ON BOARD & BATTEN CAVITY CONSTRUCTION

Date: 01.09.23

Scale: 1:2

CAD Ref.: TAHOB-CH



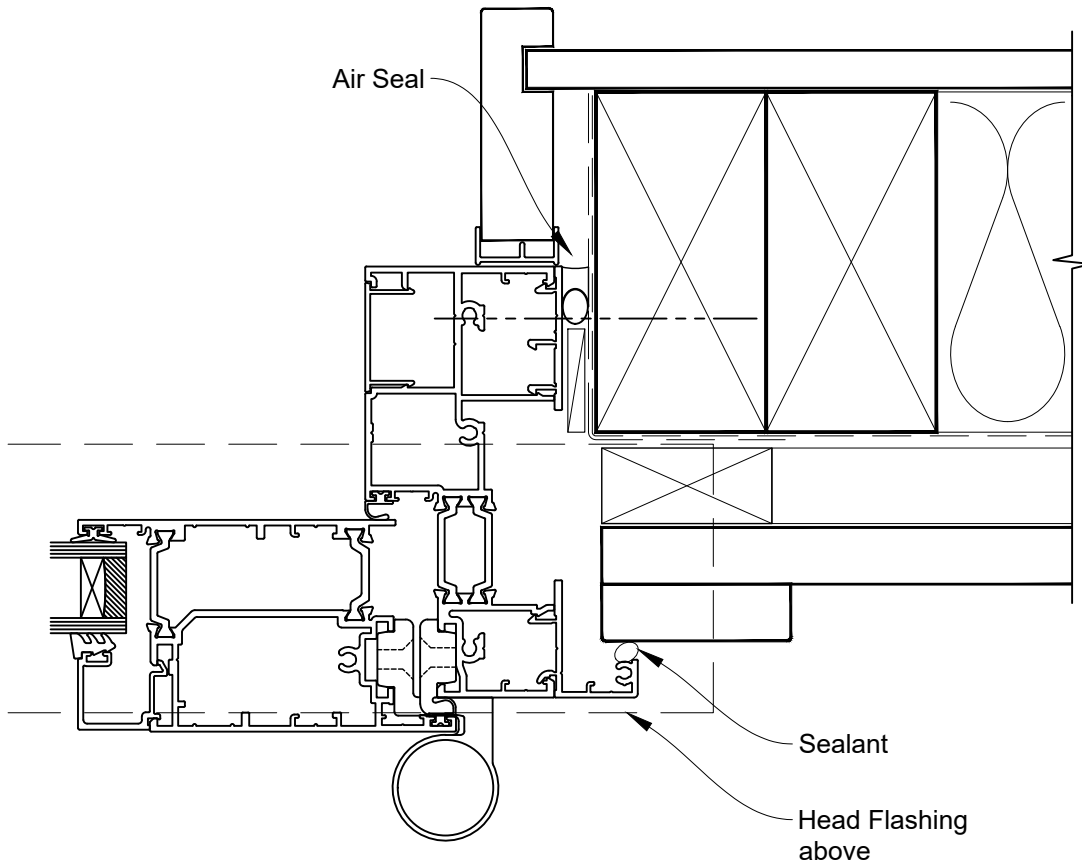


# INSTALLATION DETAIL - ARCHITECTURAL THERMAL HEART HINGED DOOR OPEN OUT ON BOARD & BATTEN CAVITY CONSTRUCTION

Date: 01.09.23

Scale: 1:2

CAD Ref.: TAHOB- CJ





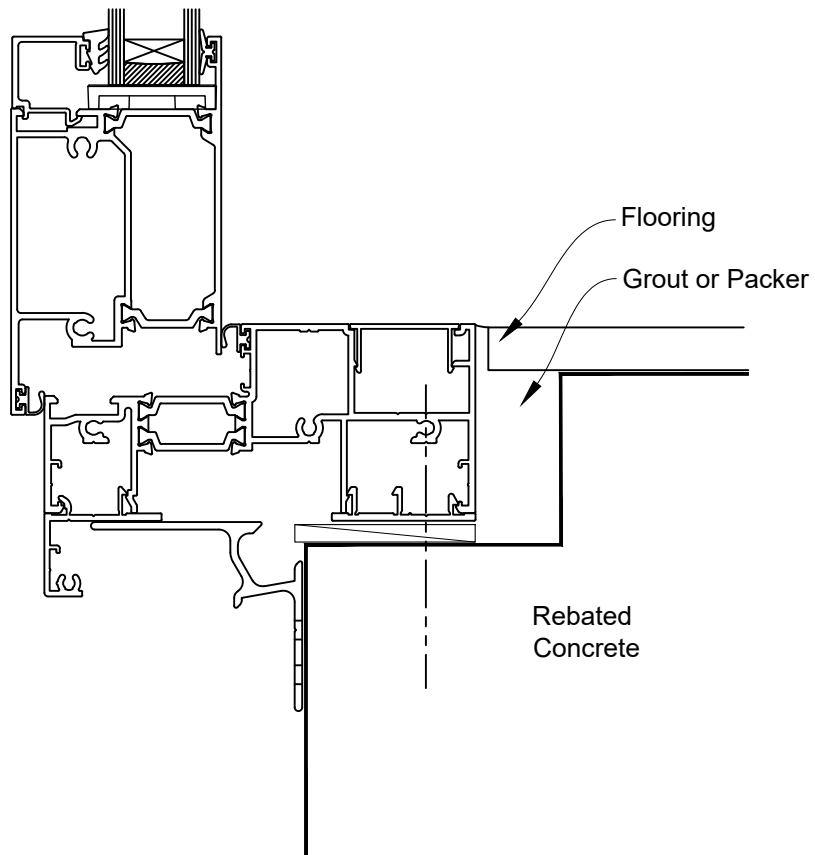
# INSTALLATION DETAIL - ARCHITECTURAL THERMAL HEART HINGED DOOR OPEN OUT ON BOARD & BATTEN CAVITY CONSTRUCTION

Date: 01.09.23

Scale: 1:2

CAD Ref.: TAHOBB-CS

## FLANGED BOTTOM RAIL OPTION ON FACING INFILL





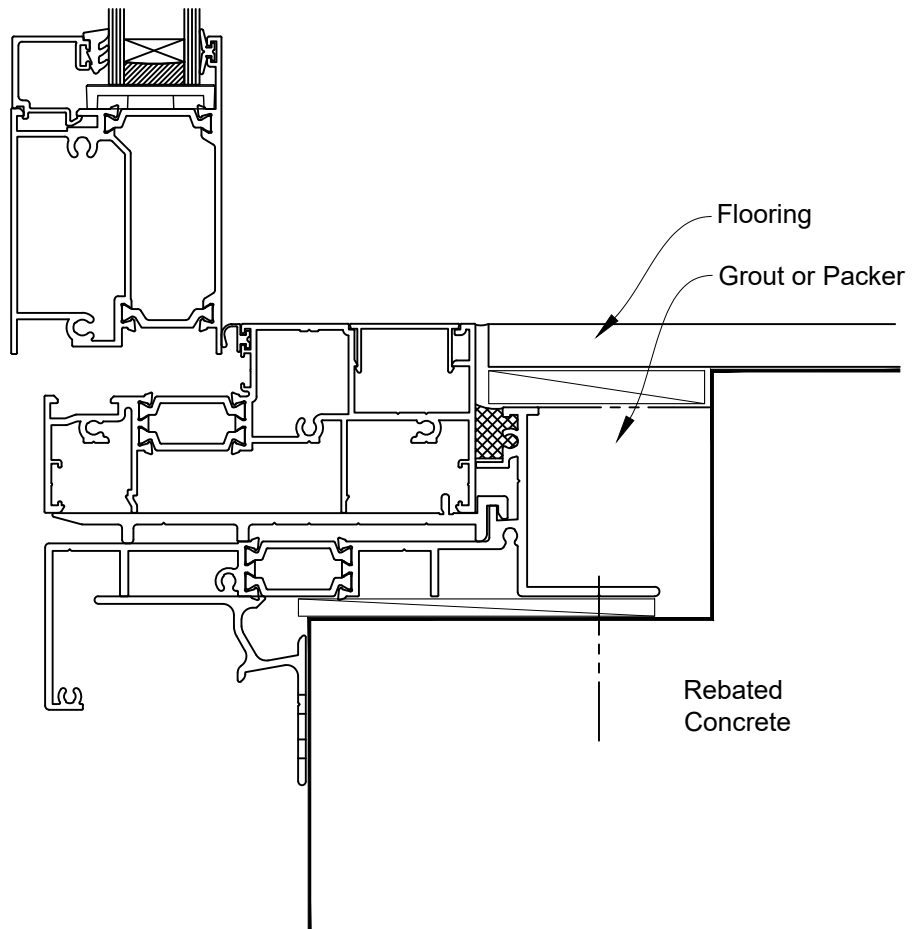
# INSTALLATION DETAIL - ARCHITECTURAL THERMAL HEART HINGED DOOR OPEN OUT ON BOARD & BATTEN CAVITY CONSTRUCTION

Date: 01.09.23

Scale: 1:2

CAD Ref.: TAHOBB-CS2

## FLUSH BOTTOM RAIL OPTION ON SILL TRAY



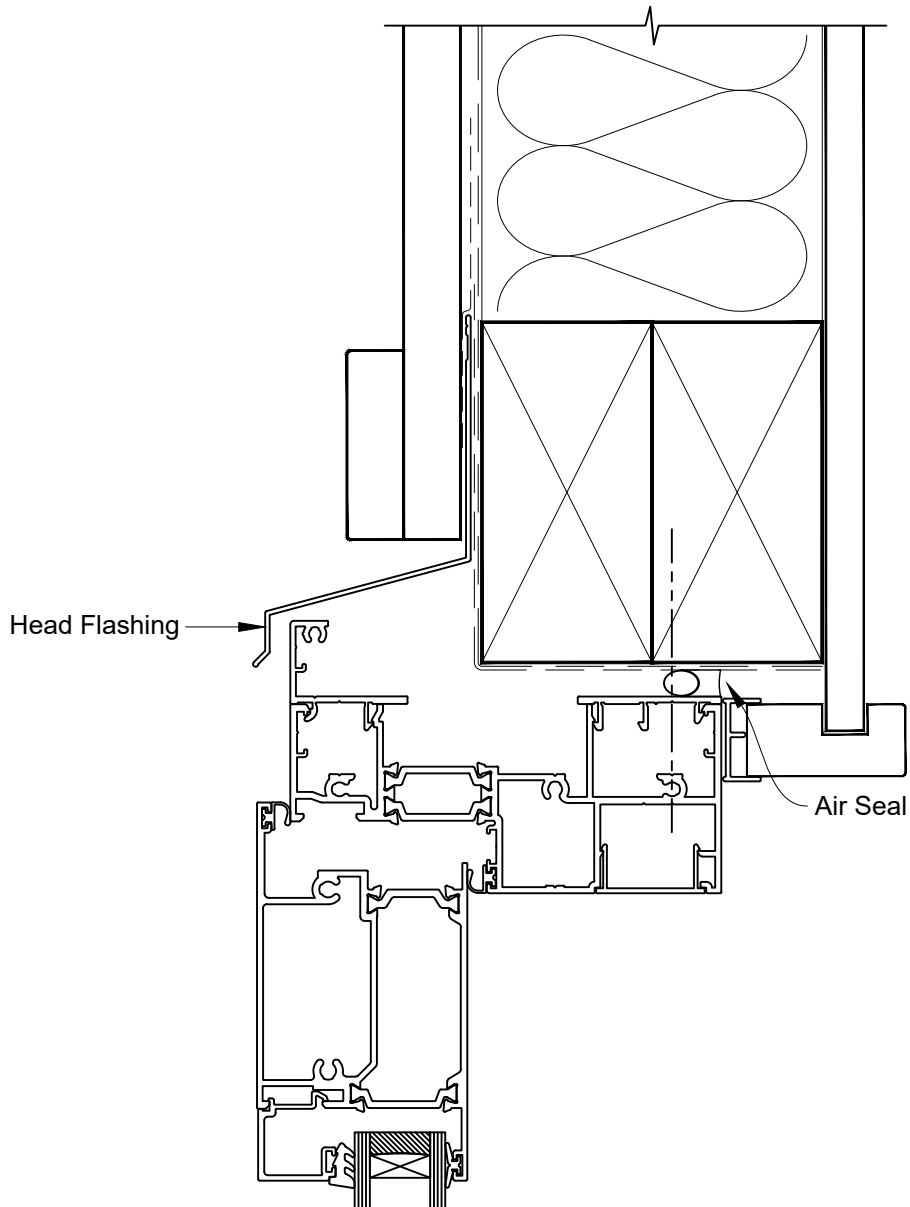


# INSTALLATION DETAIL - ARCHITECTURAL THERMAL HEART HINGED DOOR OPEN OUT ON BOARD & BATTEN DIRECT FIXED CLADDING

Date: 01.09.23

Scale: 1:2

CAD Ref.: TAHOBBDH



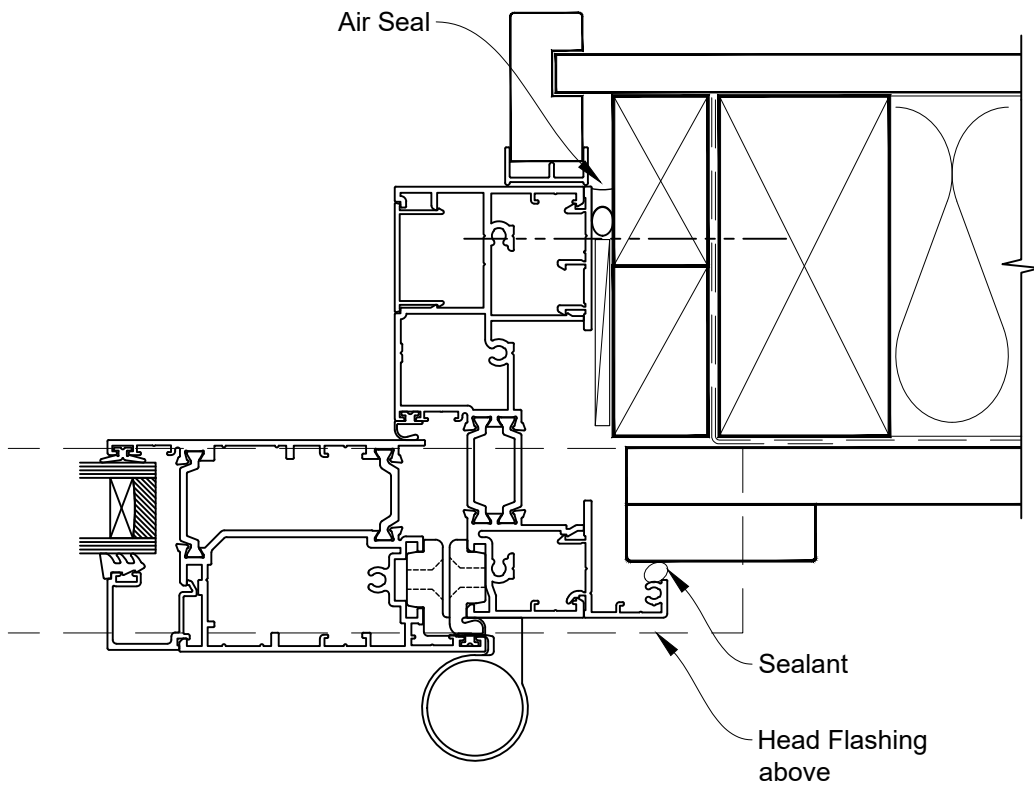


# INSTALLATION DETAIL - ARCHITECTURAL THERMAL HEART HINGED DOOR OPEN OUT ON BOARD & BATTEN DIRECT FIXED CLADDING

Date: 01.09.23

Scale: 1:2

CAD Ref.: TAHOBBD-DJ





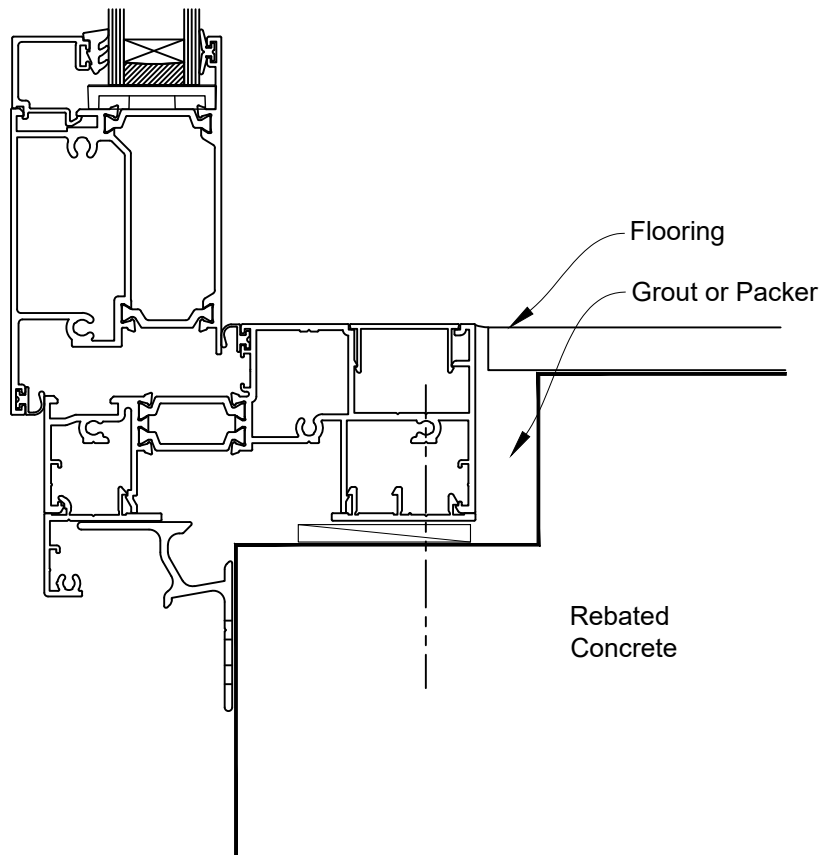
# INSTALLATION DETAIL - ARCHITECTURAL THERMAL HEART HINGED DOOR OPEN OUT ON BOARD & BATTEN DIRECT FIXED CLADDING

Date: 01.09.23

Scale: 1:2

CAD Ref.: TAHOBBS-DS

## FLANGED BOTTOM RAIL OPTION ON FACING INFILL





# INSTALLATION DETAIL - ARCHITECTURAL THERMAL HEART HINGED DOOR OPEN OUT ON BOARD & BATTEN DIRECT FIXED CLADDING

Date: 01.09.23

Scale: 1:2

CAD Ref.: TAHOBBS-DS2

## FLUSH BOTTOM RAIL OPTION ON SILL TRAY

