

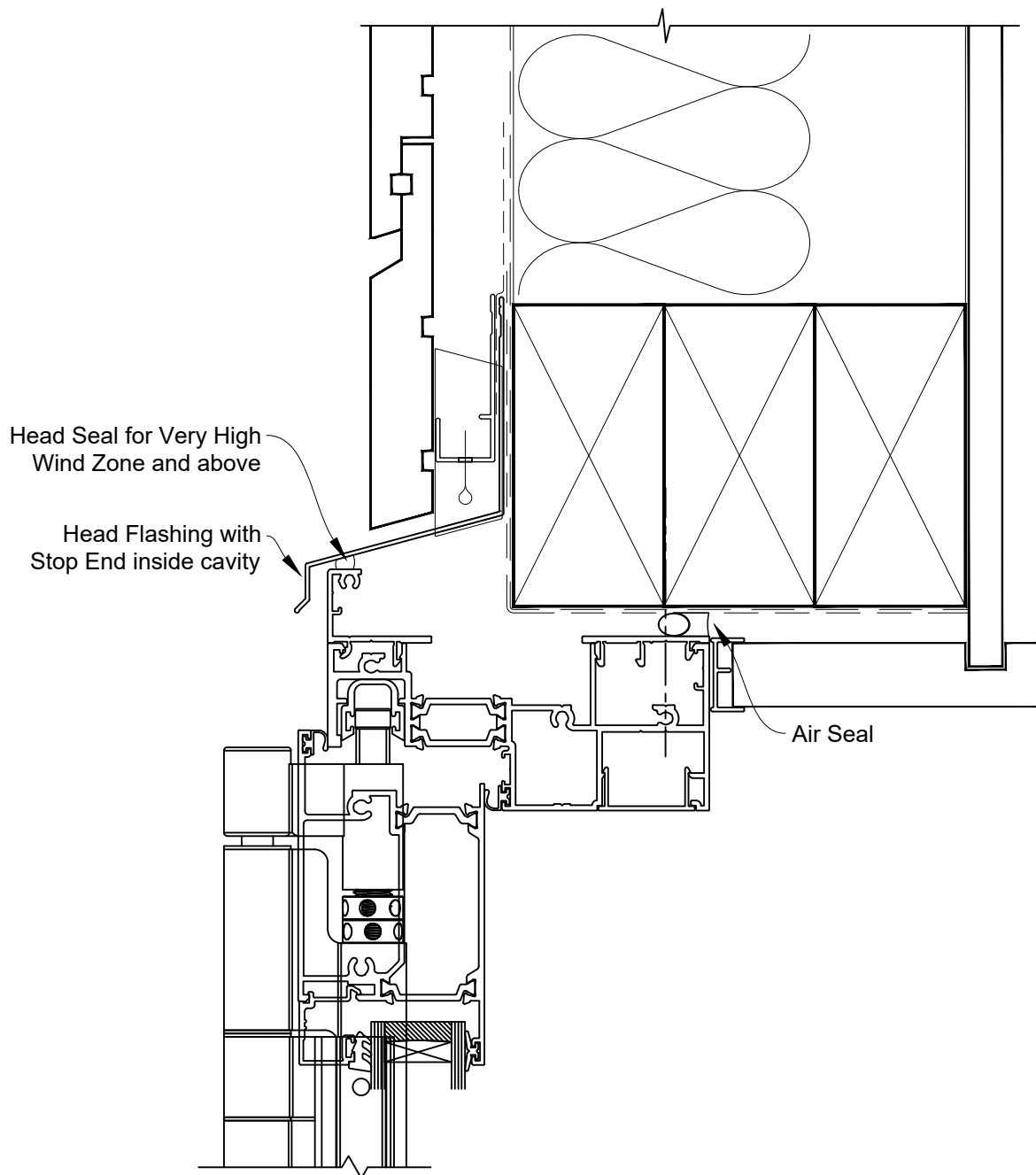


INSTALLATION DETAIL - ARCHITECTURAL THERMAL HEART BIFOLD DOOR ON RUSTICATED WEATHERBOARD CAVITY CONSTRUCTION

Date: 01.09.23

Scale: 1:2

CAD Ref.: TABDRW-CH



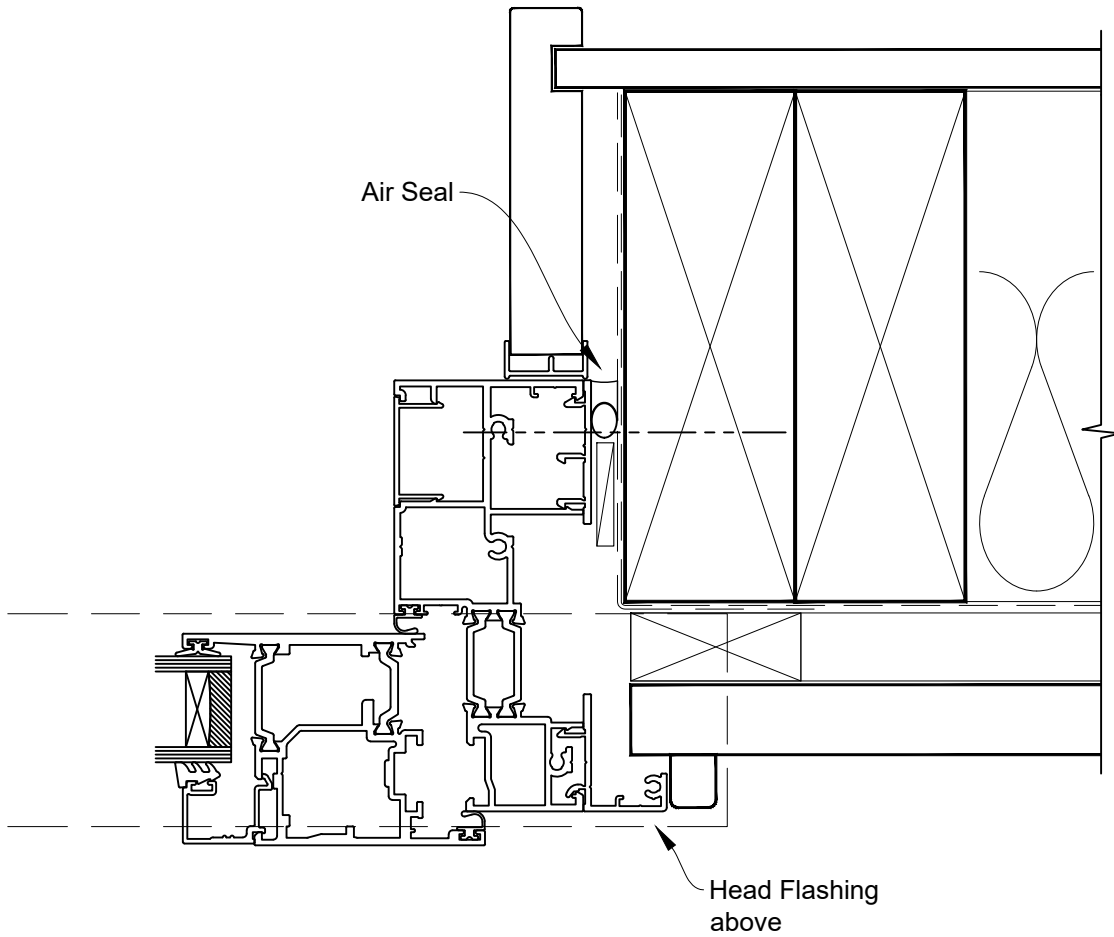


INSTALLATION DETAIL - ARCHITECTURAL THERMAL HEART BIFOLD DOOR ON RUSTICATED WEATHERBOARD CAVITY CONSTRUCTION

Date: 01.09.23

Scale: 1:2

CAD Ref.: TABDRW-CJ





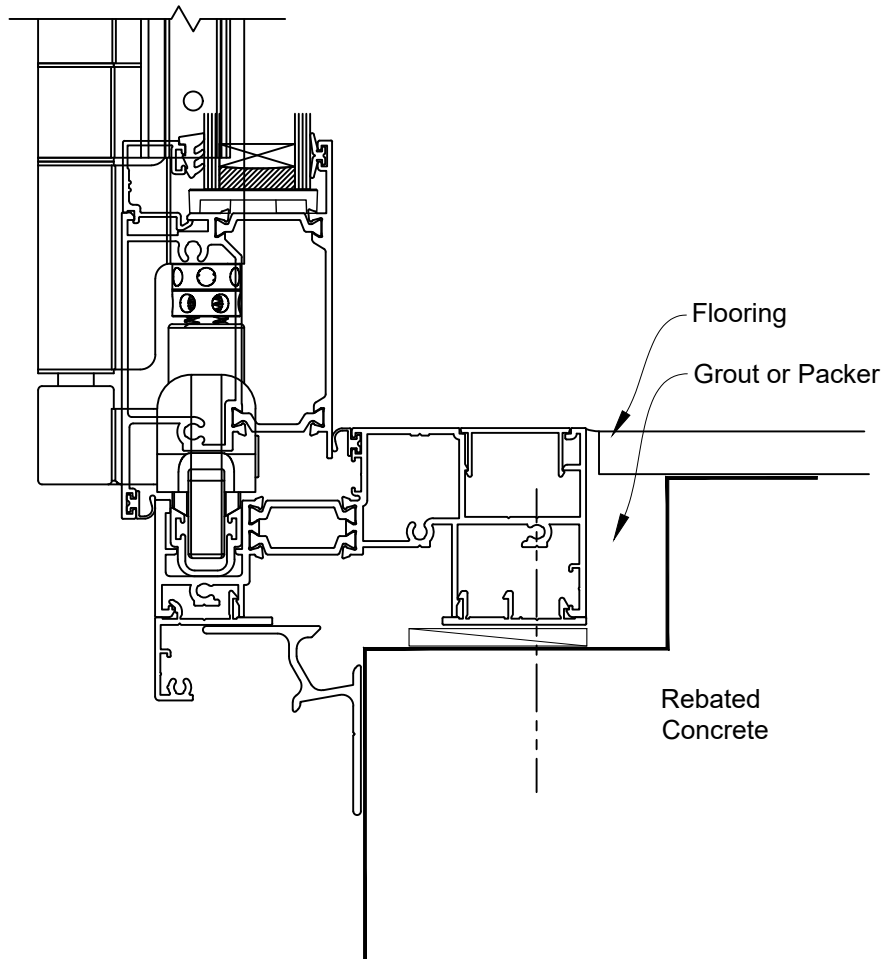
INSTALLATION DETAIL - ARCHITECTURAL THERMAL HEART BIFOLD DOOR ON RUSTICATED WEATHERBOARD CAVITY CONSTRUCTION

Date: 01.09.23

Scale: 1:2

CAD Ref.: TABDRW-CS

FLANGED BOTTOM RAIL OPTION ON FACING INFILL





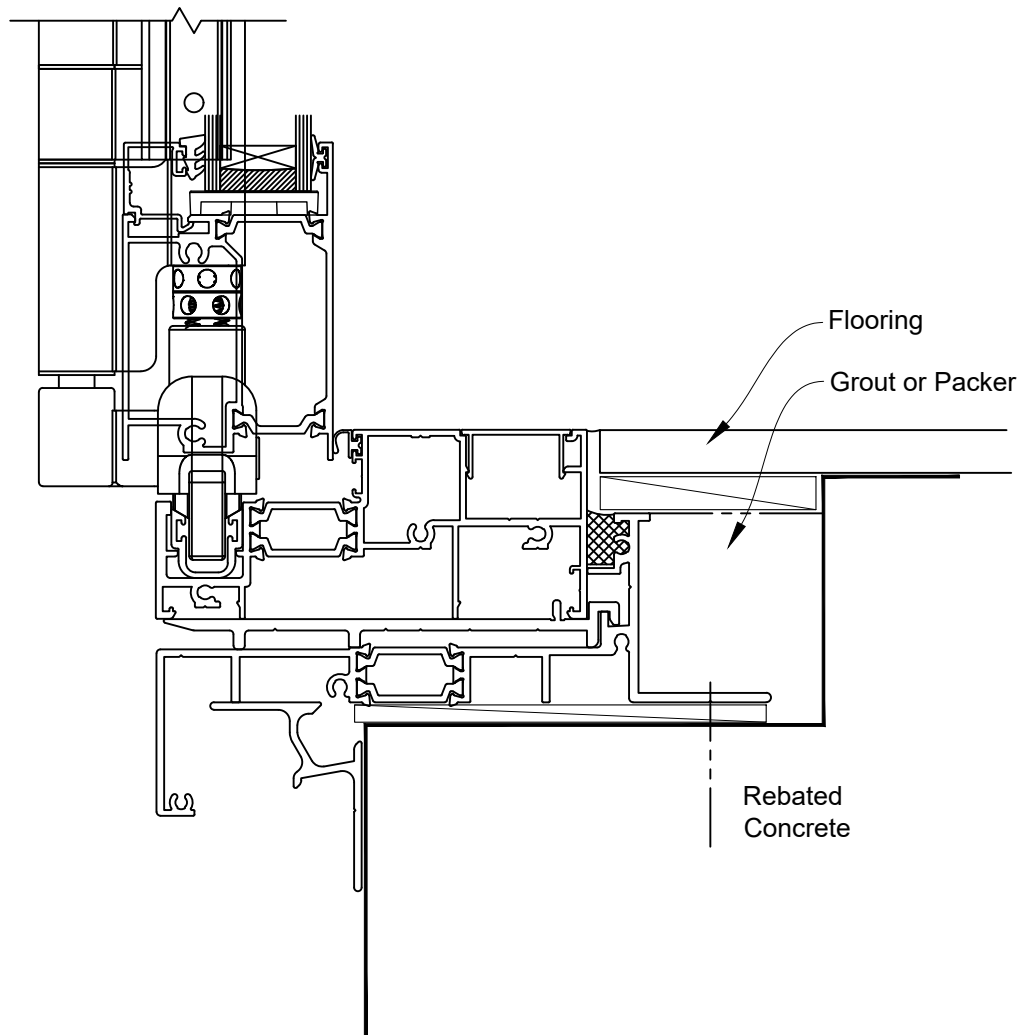
INSTALLATION DETAIL - ARCHITECTURAL THERMAL HEART BIFOLD DOOR ON RUSTICATED WEATHERBOARD CAVITY CONSTRUCTION

Date: 01.09.23

Scale: 1:2

CAD Ref.: TABDRW-CS2

FLUSH BOTTOM RAIL OPTION ON SILL TRAY



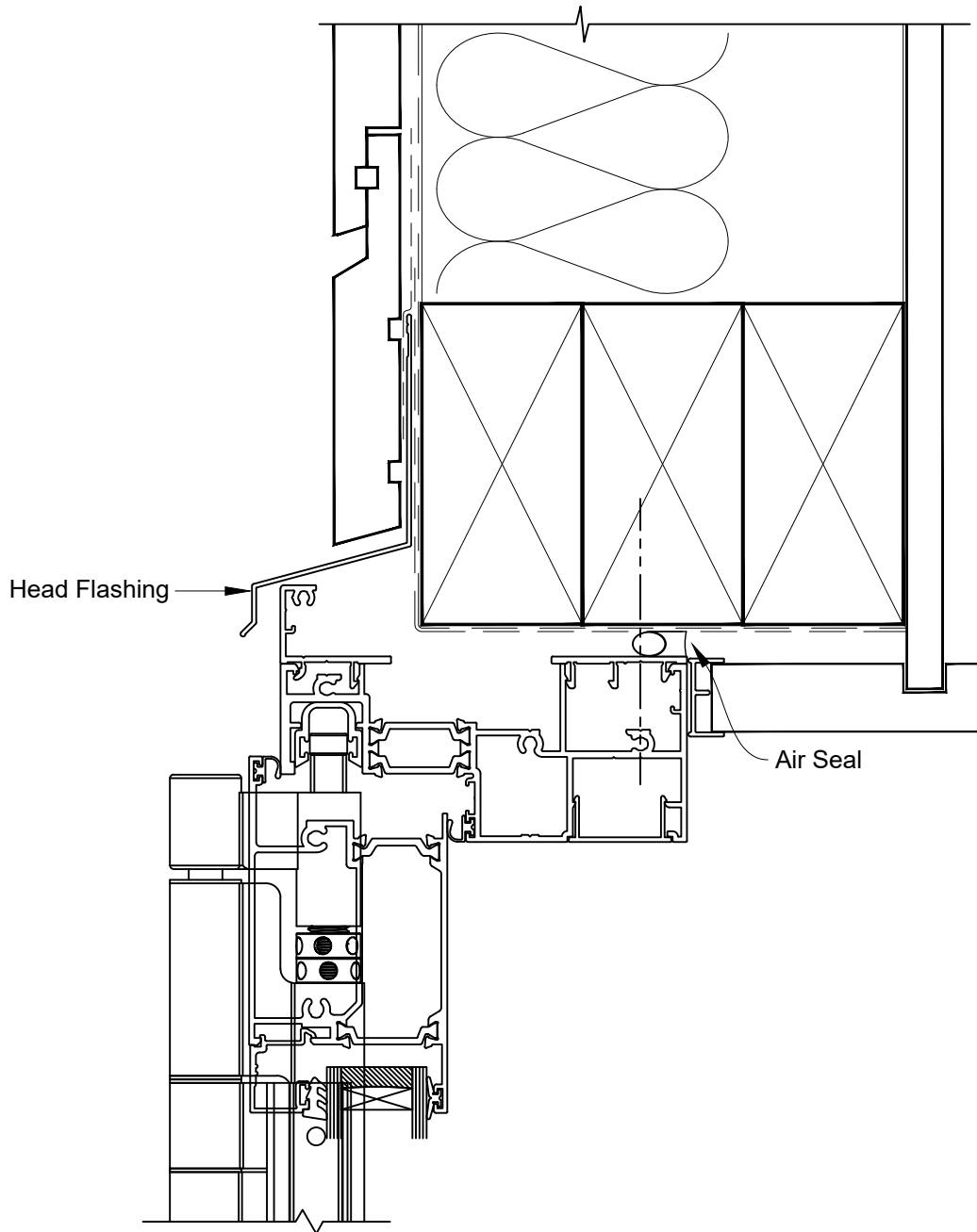


INSTALLATION DETAIL - ARCHITECTURAL THERMAL HEART BIFOLD DOOR ON RUSTICATED WEATHERBOARD DIRECT FIXED CLADDING

Date: 01.09.23

Scale: 1:2

CAD Ref.: TABDRW-DH



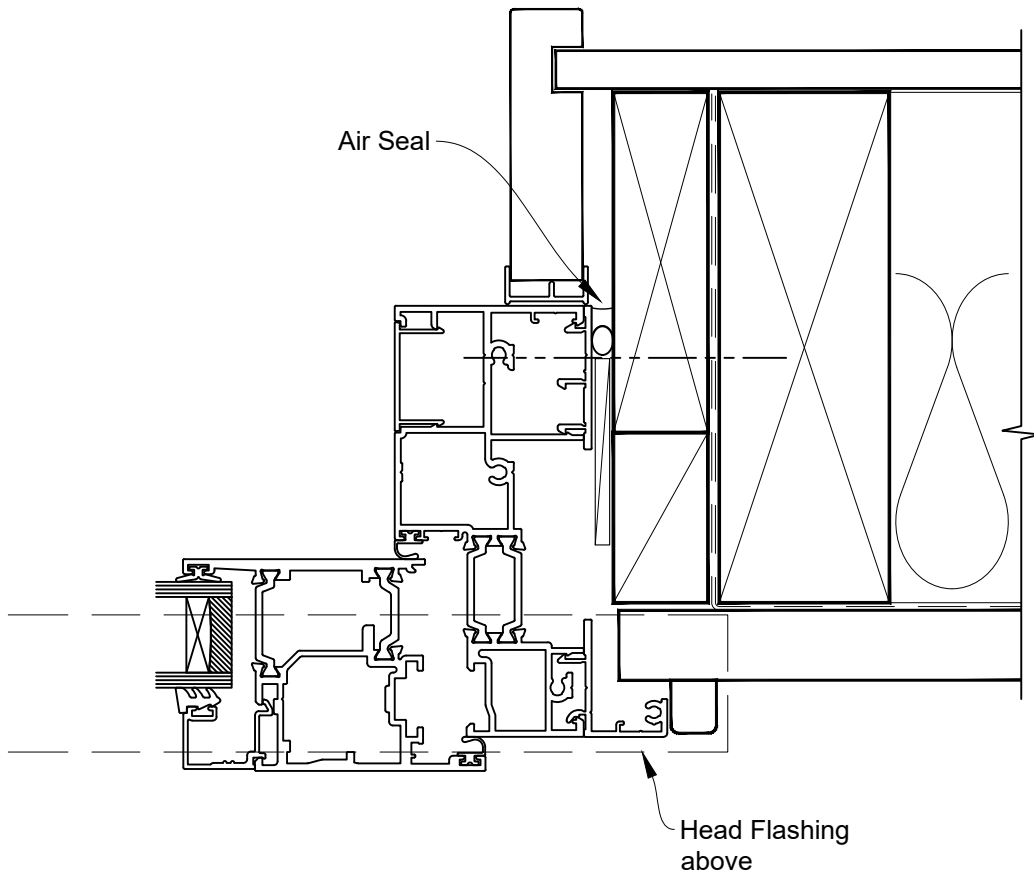


INSTALLATION DETAIL - ARCHITECTURAL THERMAL HEART BIFOLD DOOR ON RUSTICATED WEATHERBOARD DIRECT FIXED CLADDING

Date: 01.09.23

Scale: 1:2

CAD Ref.: TABDRW-DJ





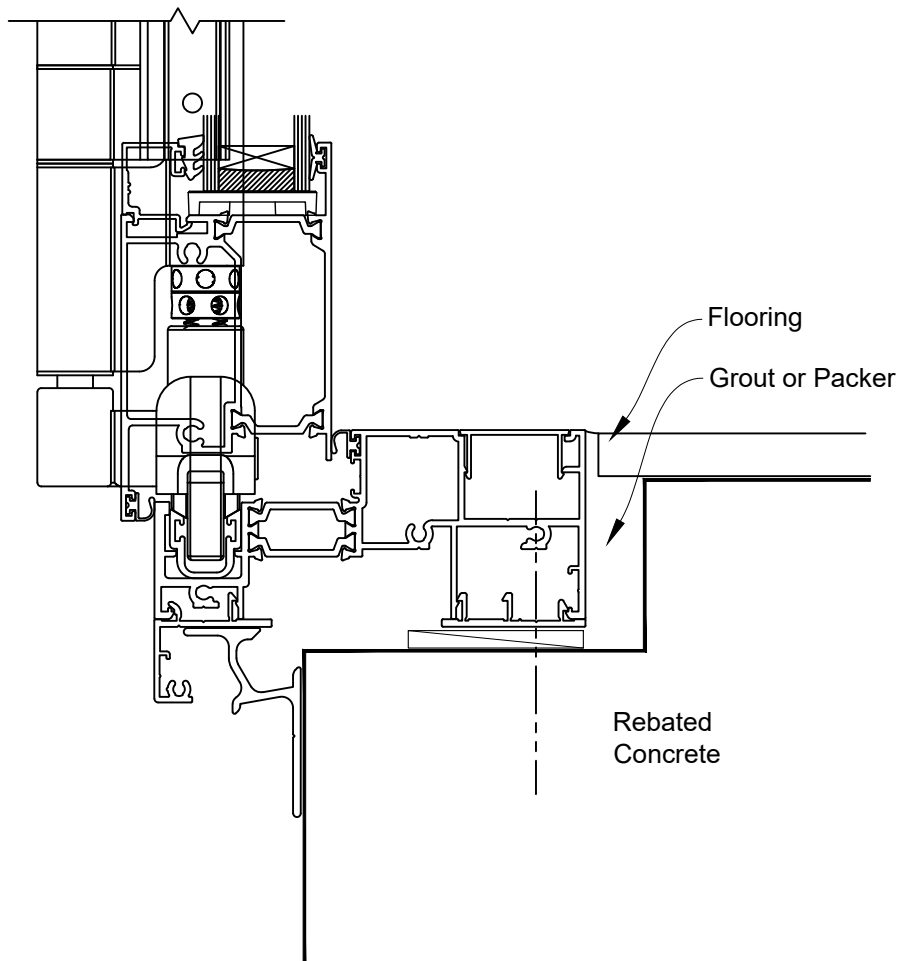
INSTALLATION DETAIL - ARCHITECTURAL THERMAL HEART BIFOLD DOOR ON RUSTICATED WEATHERBOARD DIRECT FIXED CLADDING

Date: 01.09.23

Scale: 1:2

CAD Ref.: TABDRW-DS

FLANGED BOTTOM RAIL OPTION ON FACING INFILL





INSTALLATION DETAIL - ARCHITECTURAL THERMAL HEART BIFOLD DOOR ON RUSTICATED WEATHERBOARD DIRECT FIXED CLADDING

Date: 01.09.23

Scale: 1:2

CAD Ref.: TABDRW-DS2

FLUSH BOTTOM RAIL OPTION ON SILL TRAY

