

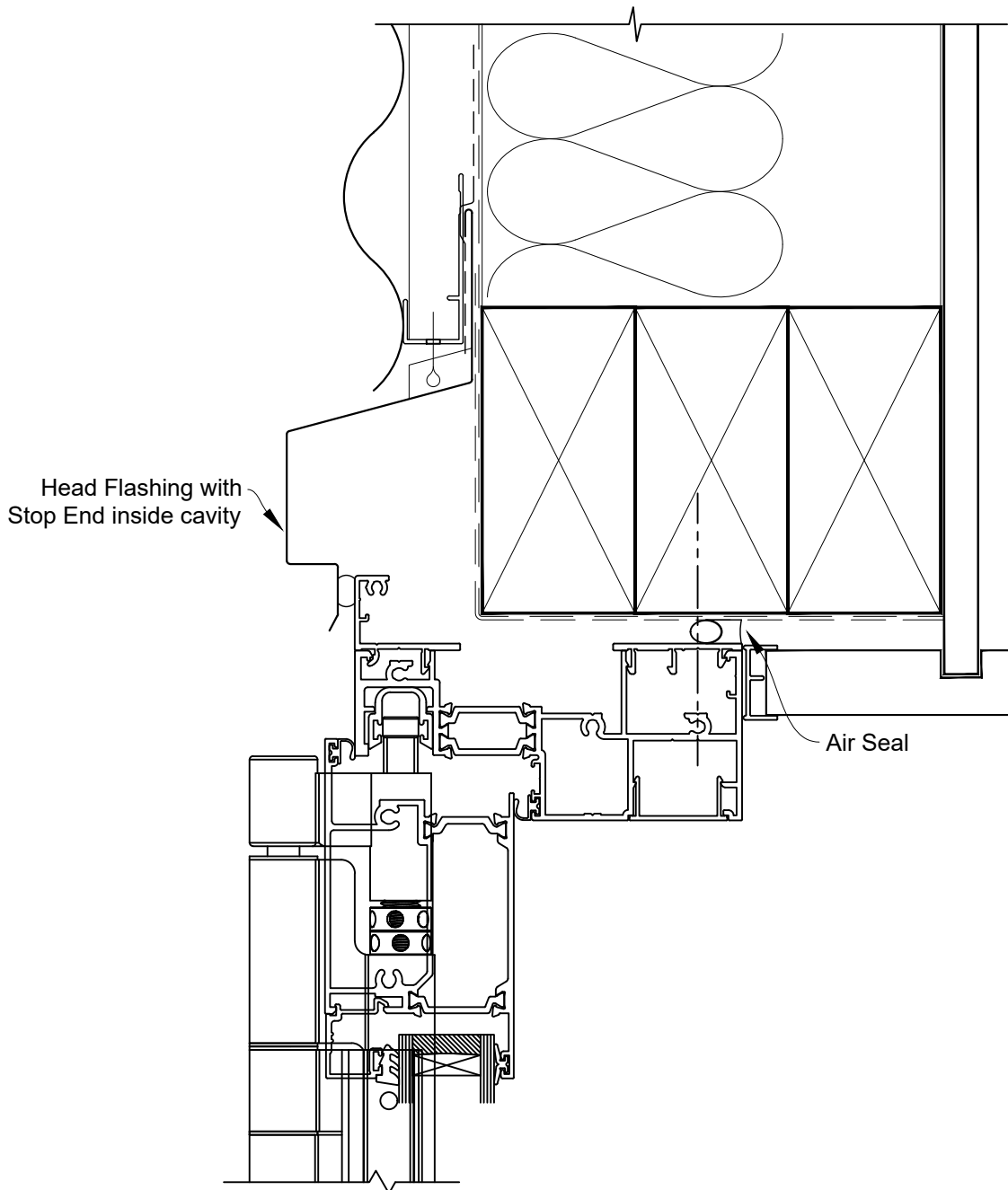


INSTALLATION DETAIL - ARCHITECTURAL THERMAL HEART BIFOLD DOOR ON PROFILE METAL CAVITY CONSTRUCTION

Date: 01.09.23

Scale: 1:2

CAD Ref.: TABDPM-CH



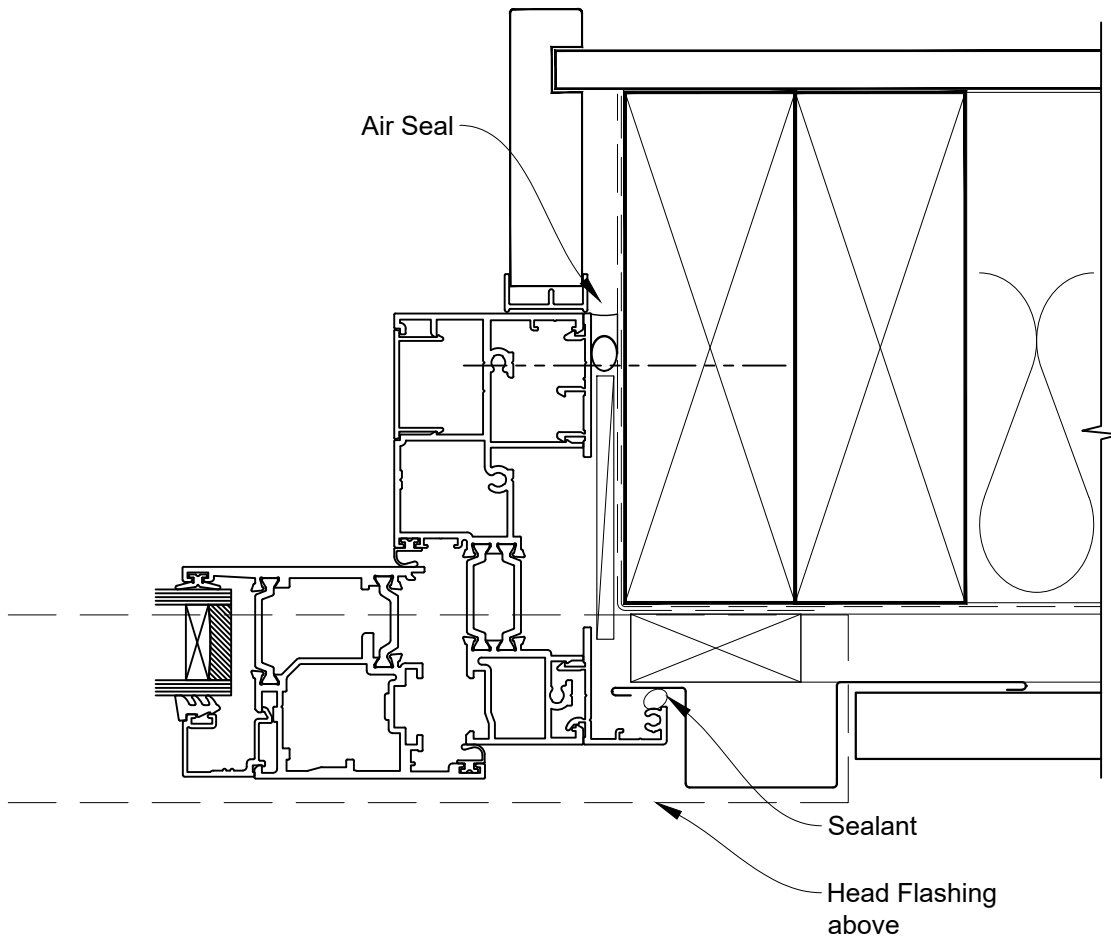


INSTALLATION DETAIL - ARCHITECTURAL THERMAL HEART BIFOLD DOOR ON PROFILE METAL CAVITY CONSTRUCTION

Date: 01.09.23

Scale: 1:2

CAD Ref.: TABDPM-CJ





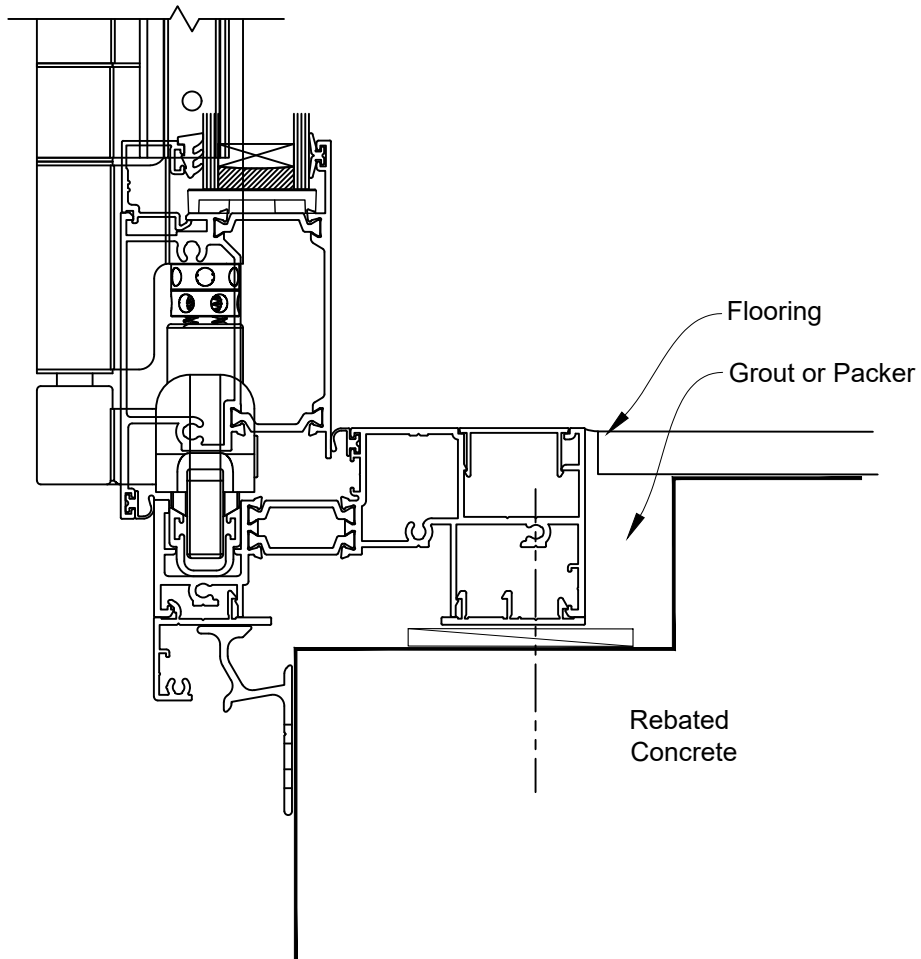
INSTALLATION DETAIL - ARCHITECTURAL THERMAL HEART BIFOLD DOOR ON PROFILE METAL CAVITY CONSTRUCTION

Date: 01.09.23

Scale: 1:2

CAD Ref.: TABDPM-CS

FLANGED BOTTOM RAIL OPTION ON FACING INFILL





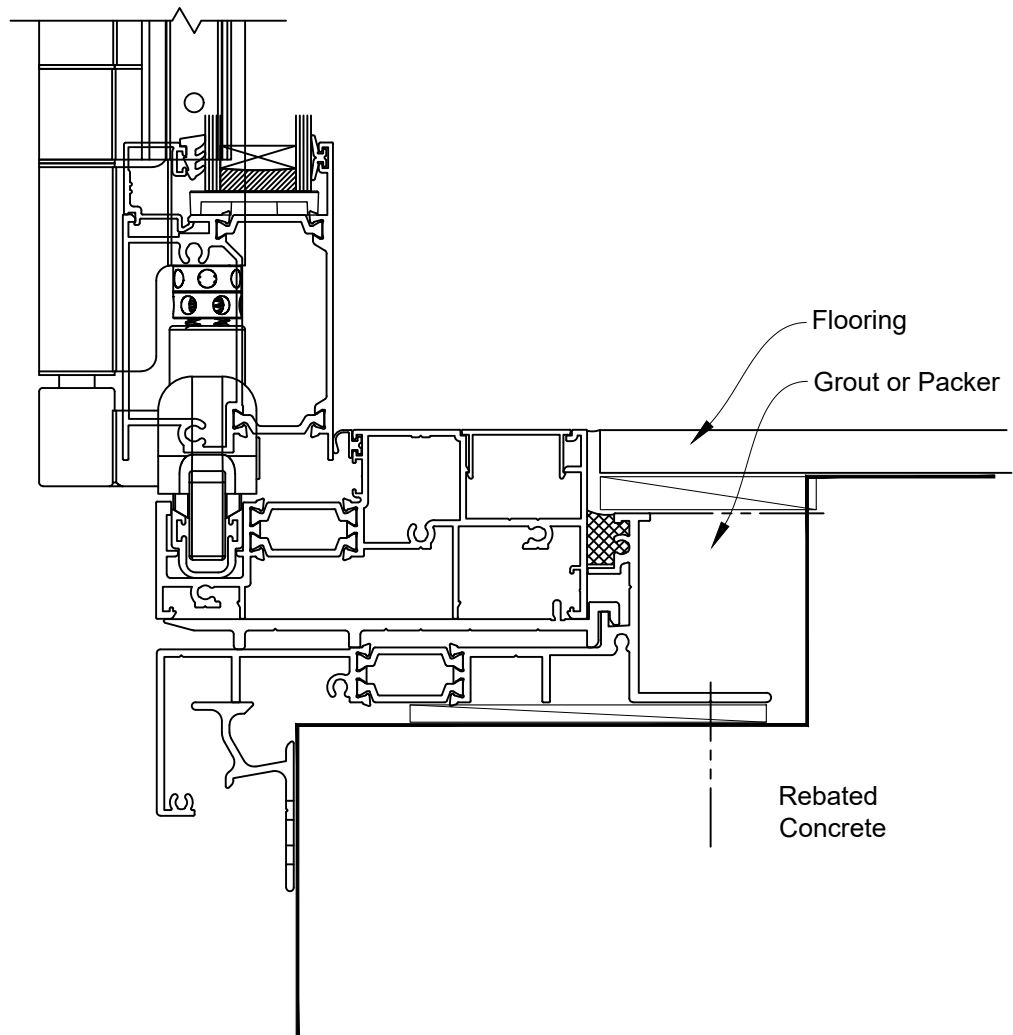
INSTALLATION DETAIL - ARCHITECTURAL THERMAL HEART BIFOLD DOOR ON PROFILE METAL CAVITY CONSTRUCTION

Date: 01.09.23

Scale: 1:2

CAD Ref.: TABDPM-CS2

FLUSH BOTTOM RAIL OPTION ON SILL TRAY



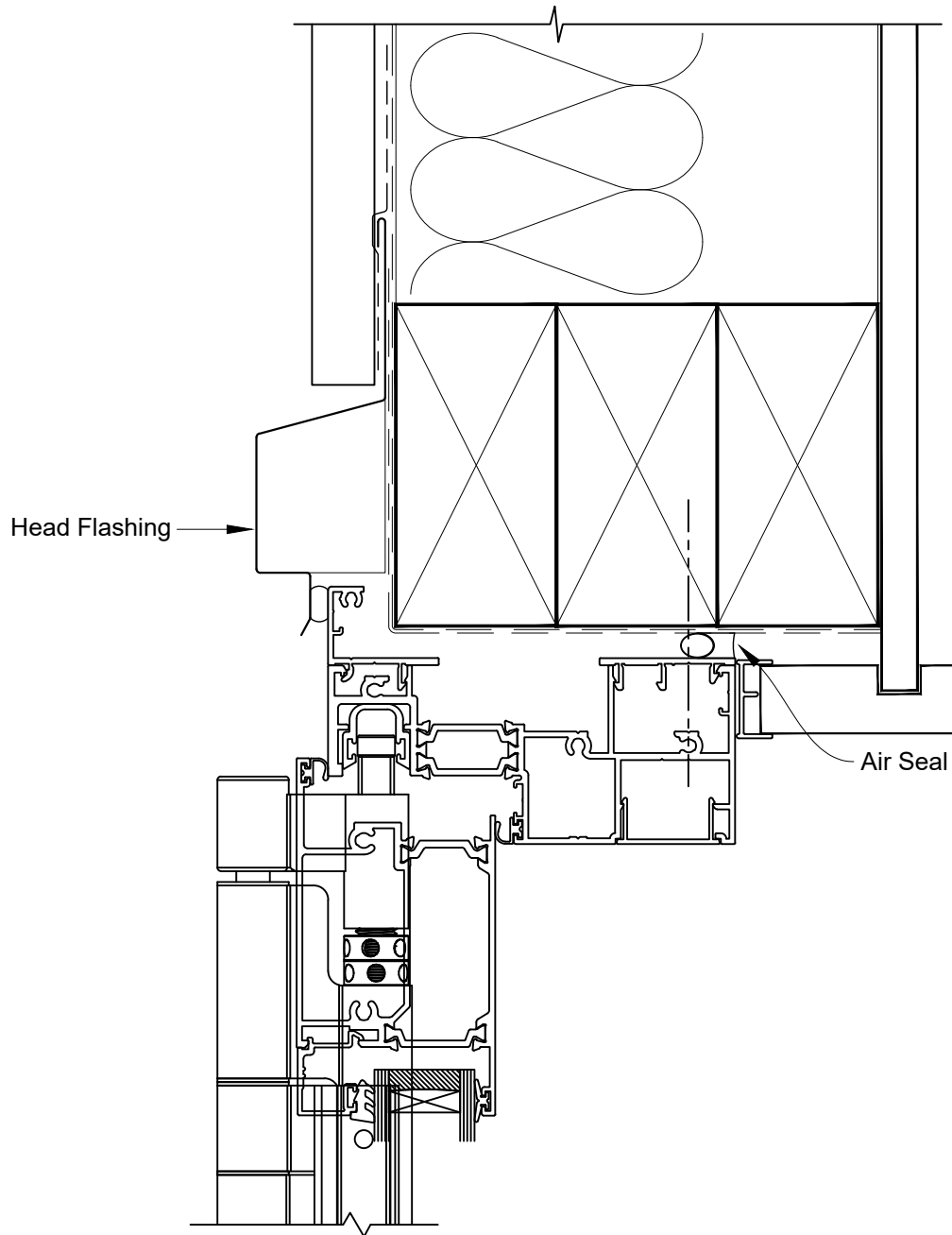


INSTALLATION DETAIL - ARCHITECTURAL THERMAL HEART BIFOLD DOOR ON PROFILE METAL DIRECT FIXED CLADDING

Date: 01.09.23

Scale: 1:2

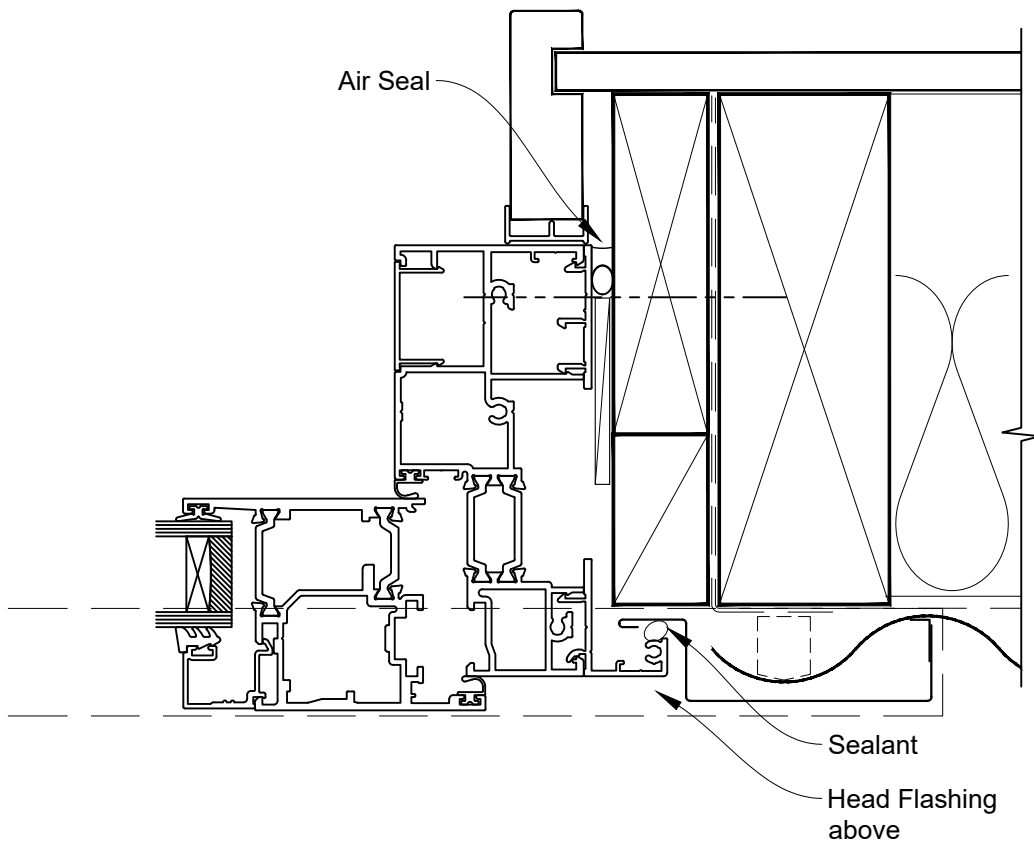
CAD Ref.: TABDPM-DH





INSTALLATION DETAIL - ARCHITECTURAL THERMAL HEART BIFOLD DOOR ON PROFILE METAL DIRECT FIXED CLADDING

Date: 01.09.23 Scale: 1:2 CAD Ref.: TABDPM-DJ





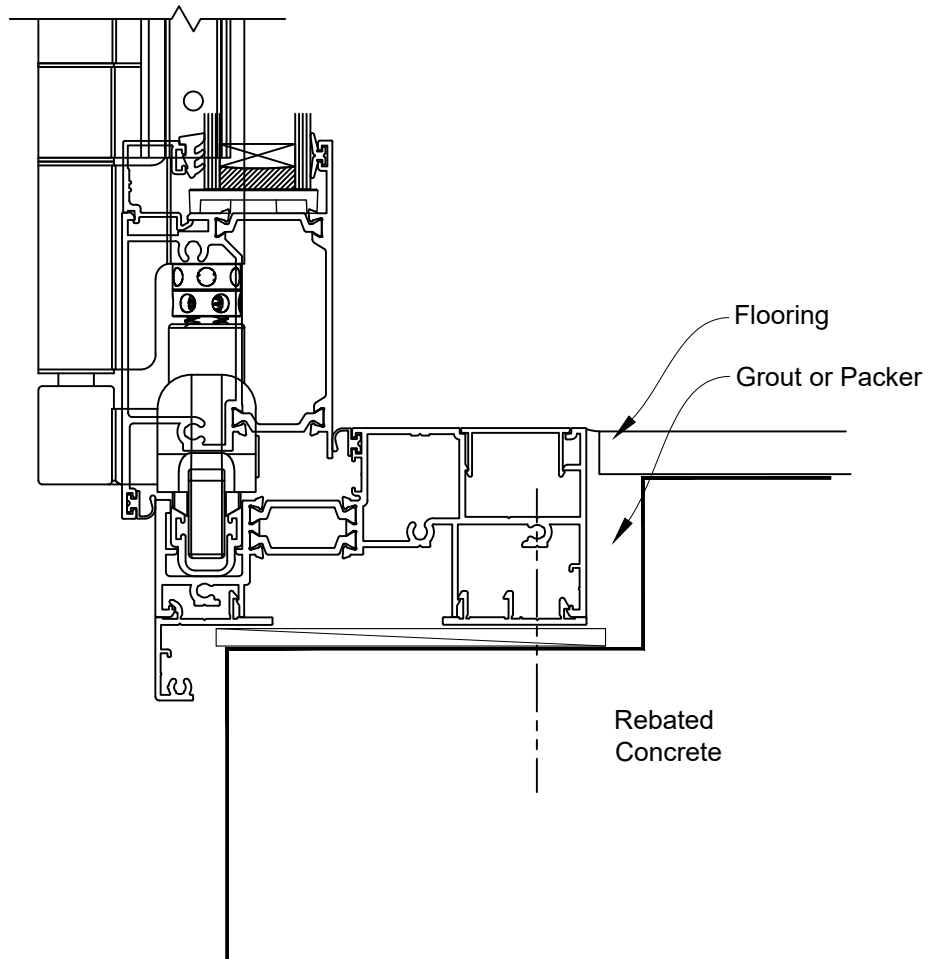
INSTALLATION DETAIL - ARCHITECTURAL THERMAL HEART BIFOLD DOOR ON PROFILE METAL DIRECT FIXED CLADDING

Date: 01.09.23

Scale: 1:2

CAD Ref.: TABDPM-DS

FLANGED BOTTOM RAIL OPTION ON FACING INFILL





INSTALLATION DETAIL - ARCHITECTURAL THERMAL HEART BIFOLD DOOR ON PROFILE METAL DIRECT FIXED CLADDING

Date: 01.09.23

Scale: 1:2

CAD Ref.: TABDPM-DS2

FLUSH BOTTOM RAIL OPTION ON SILL TRAY

