

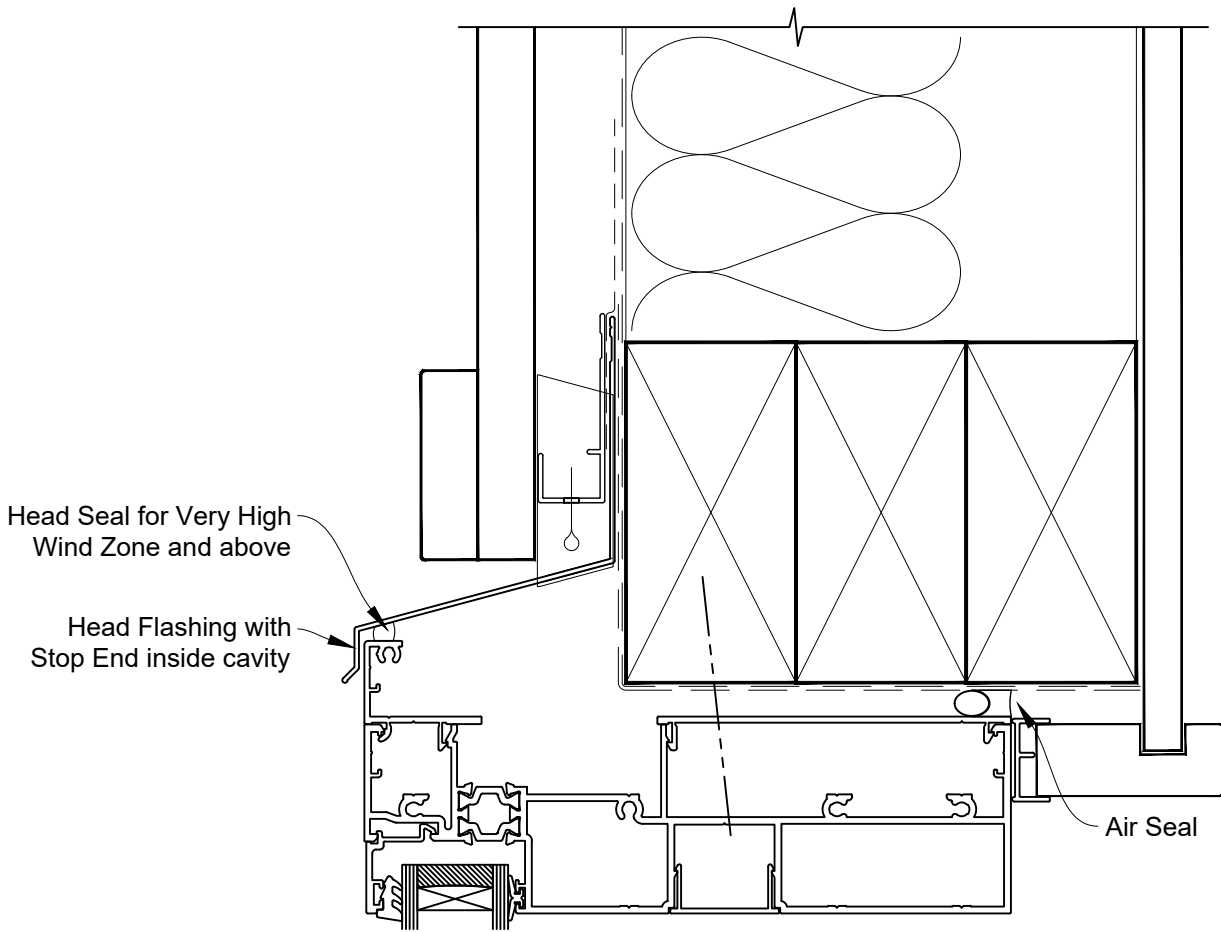


INSTALLATION DETAIL - ARCHITECTURAL THERMAL HEART 171mm AWNING WINDOW ON BOARD & BATTEN CAVITY CONSTRUCTION

Date: 01.09.23

Scale: 1:2

CAD Ref.: TA171AWBB-CH



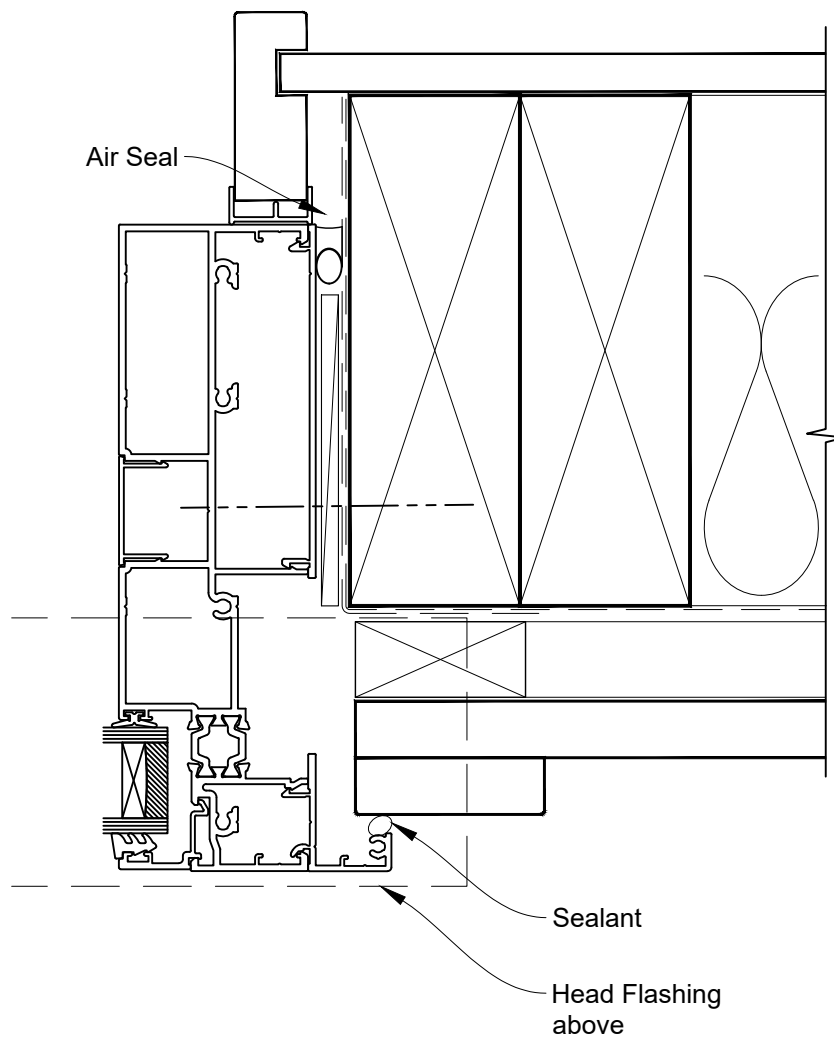


INSTALLATION DETAIL - ARCHITECTURAL THERMAL HEART 171mm AWNING WINDOW ON BOARD & BATTEN CAVITY CONSTRUCTION

Date: 01.09.23

Scale: 1:2

CAD Ref.: TA171AWBB-CJ





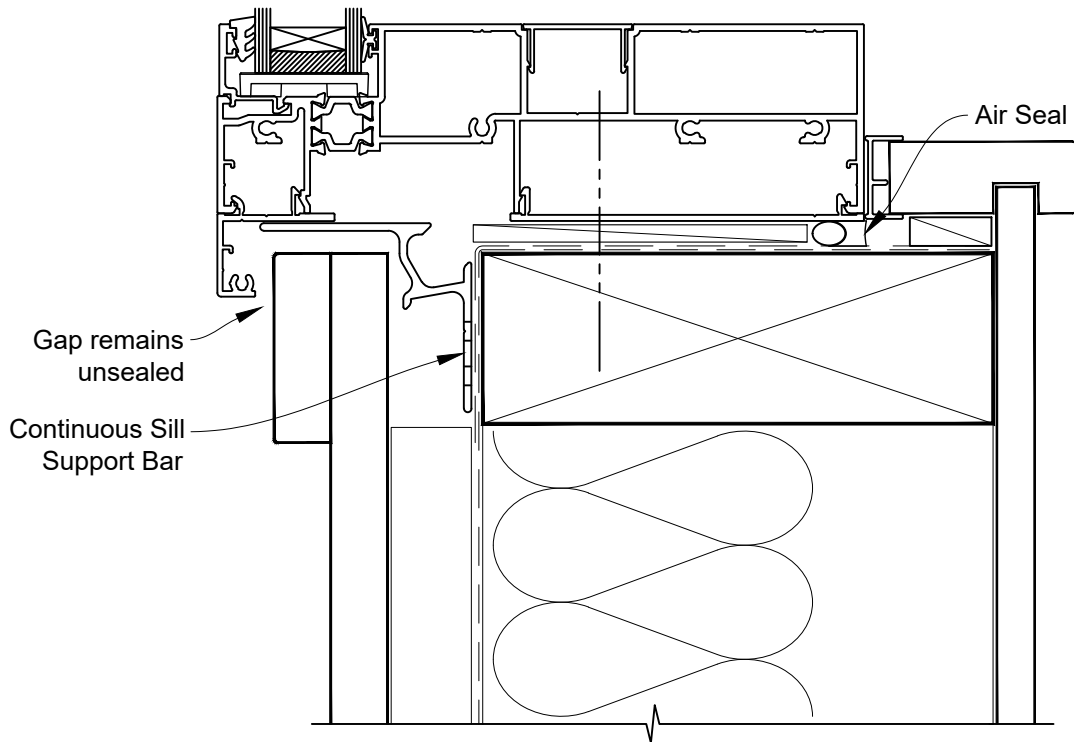
INSTALLATION DETAIL - ARCHITECTURAL THERMAL HEART 171mm AWNING WINDOW ON BOARD & BATTEN CAVITY CONSTRUCTION

Date: 01.09.23

Scale: 1:2

CAD Ref.: TA171AWBB-CS

FACING INFILL OPTION





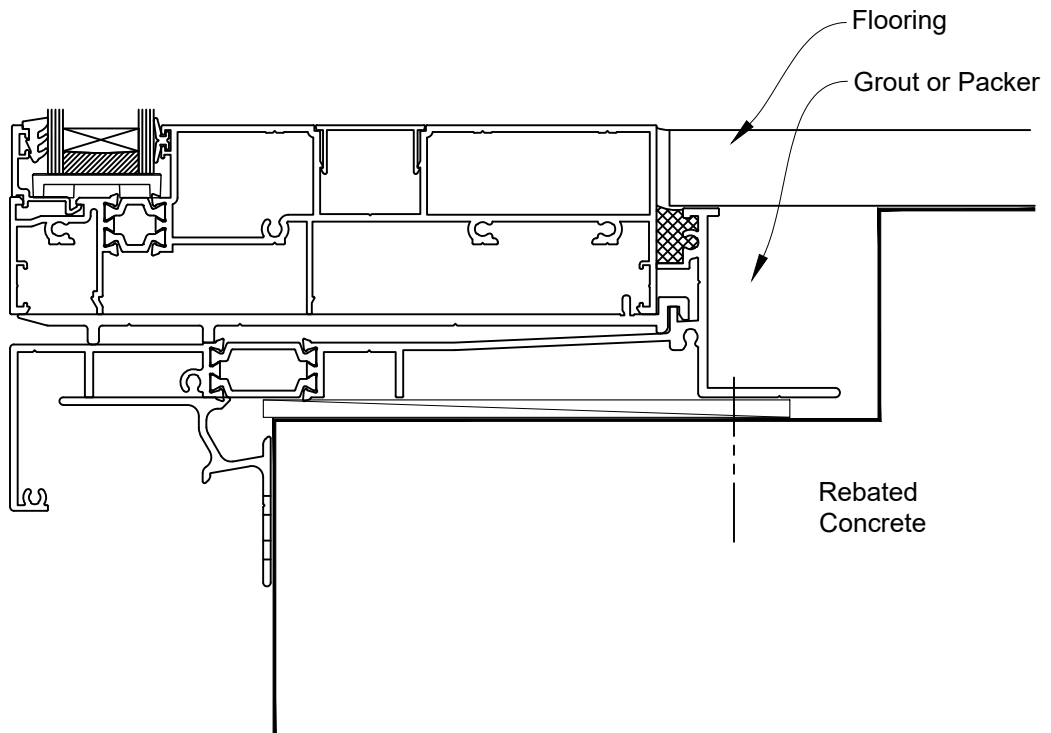
INSTALLATION DETAIL - ARCHITECTURAL THERMAL HEART 171mm AWNING WINDOW ON BOARD & BATTEN CAVITY CONSTRUCTION

Date: 01.09.23

Scale: 1:2

CAD Ref.: TA171AWBB-CS2

SILL TRAY OPTION





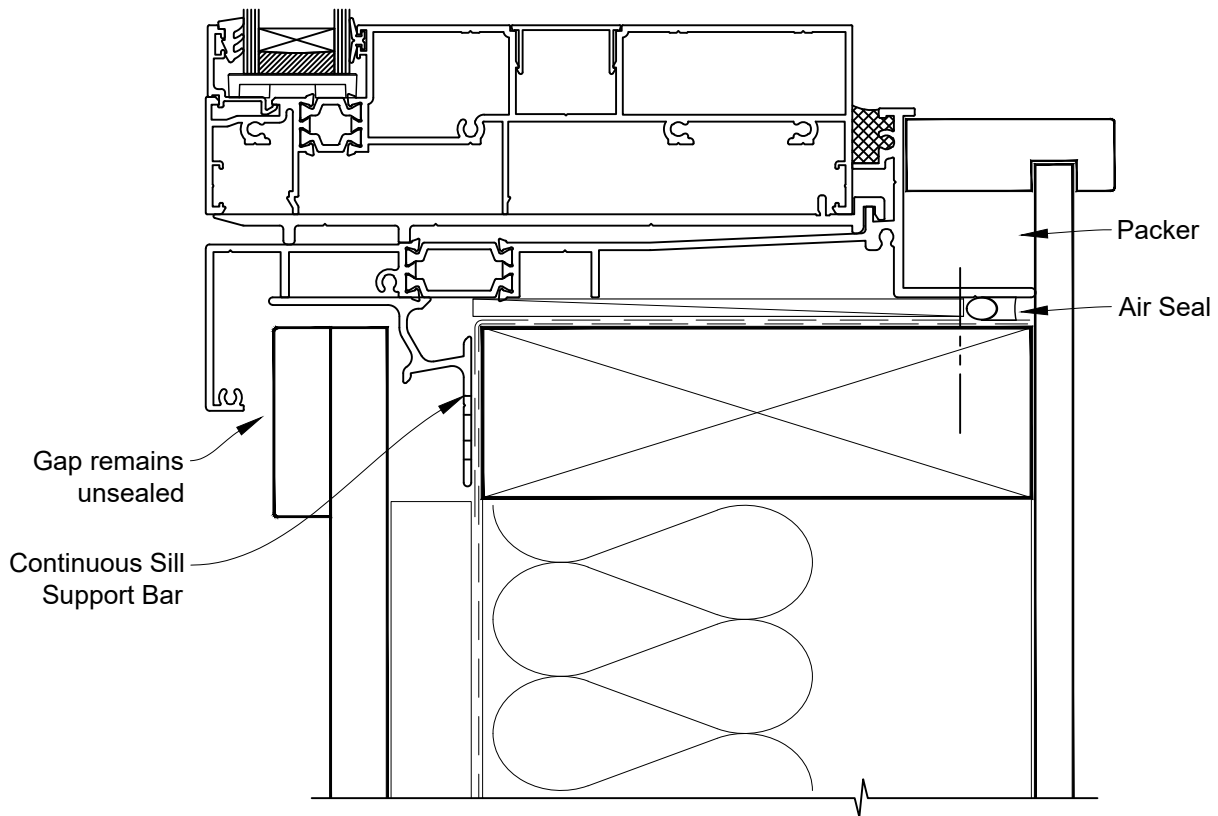
INSTALLATION DETAIL - ARCHITECTURAL THERMAL HEART 171mm AWNING WINDOW ON BOARD & BATTEN CAVITY CONSTRUCTION

Date: 01.09.23

Scale: 1:2

CAD Ref.: TA171AWBB-CS3

SILL TRAY OPTION



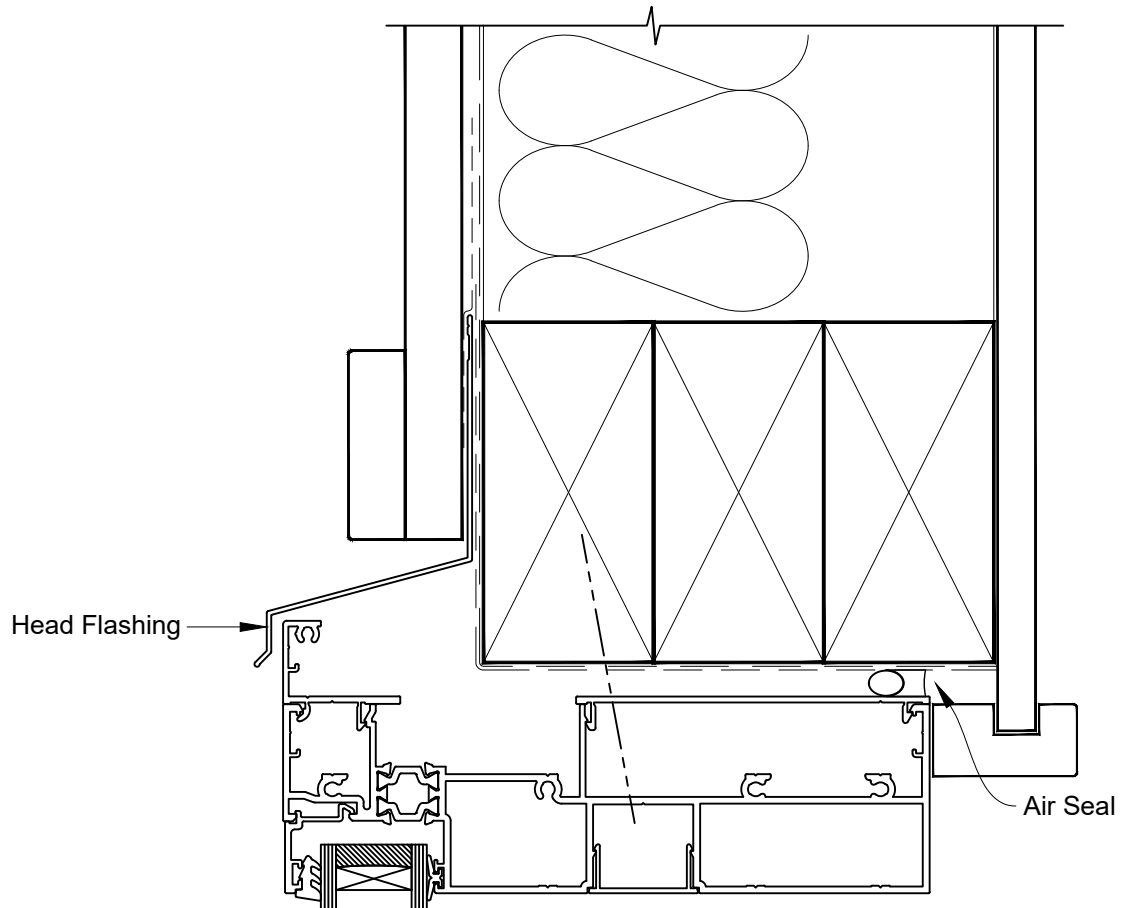


INSTALLATION DETAIL - ARCHITECTURAL THERMAL HEART 171mm AWNING WINDOW ON BOARD & BATTEN DIRECT FIXED CLADDING

Date: 01.09.23

Scale: 1:2

CAD Ref.: TA171AWBB-DH



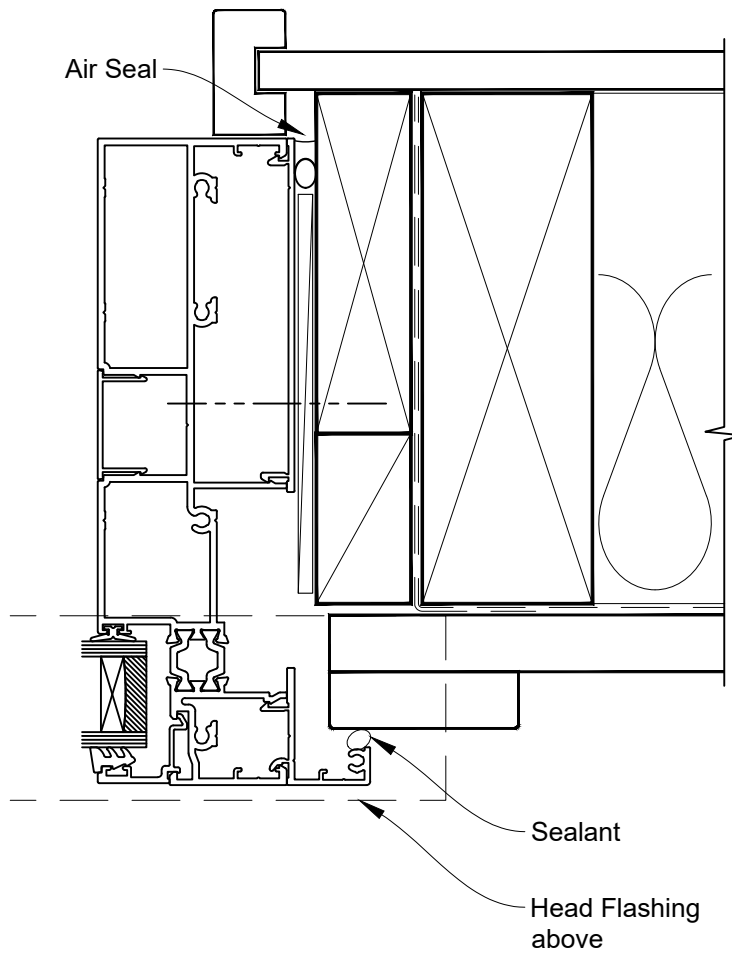


INSTALLATION DETAIL - ARCHITECTURAL THERMAL HEART 171mm AWNING WINDOW ON BOARD & BATTEN DIRECT FIXED CLADDING

Date: 01.09.23

Scale: 1:2

CAD Ref.: TA171AWBB-DJ





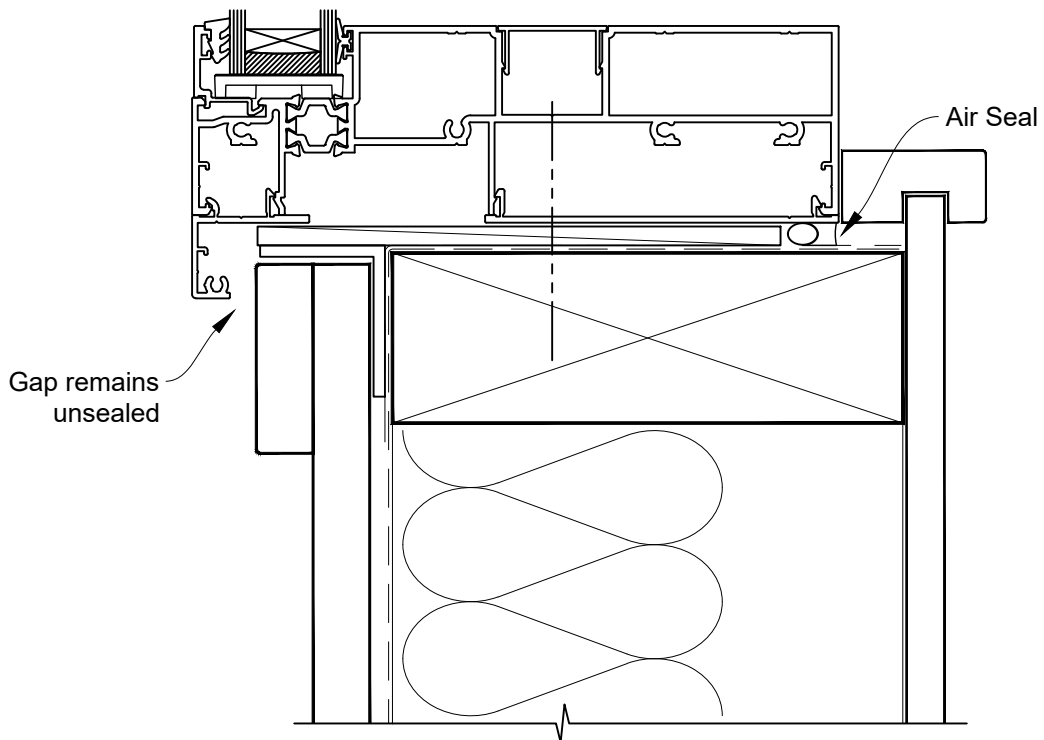
INSTALLATION DETAIL - ARCHITECTURAL THERMAL HEART 171mm AWNING WINDOW ON BOARD & BATTEN DIRECT FIXED CLADDING

Date: 01.09.23

Scale: 1:2

CAD Ref.: TA171AWBB-DS

FACING INFILL OPTION





INSTALLATION DETAIL - ARCHITECTURAL THERMAL HEART 171mm AWNING WINDOW ON BOARD & BATTEN DIRECT FIXED CLADDING

Date: 01.09.23

Scale: 1:2

CAD Ref.: TA171AWBB-DS2

SILL TRAY OPTION

