

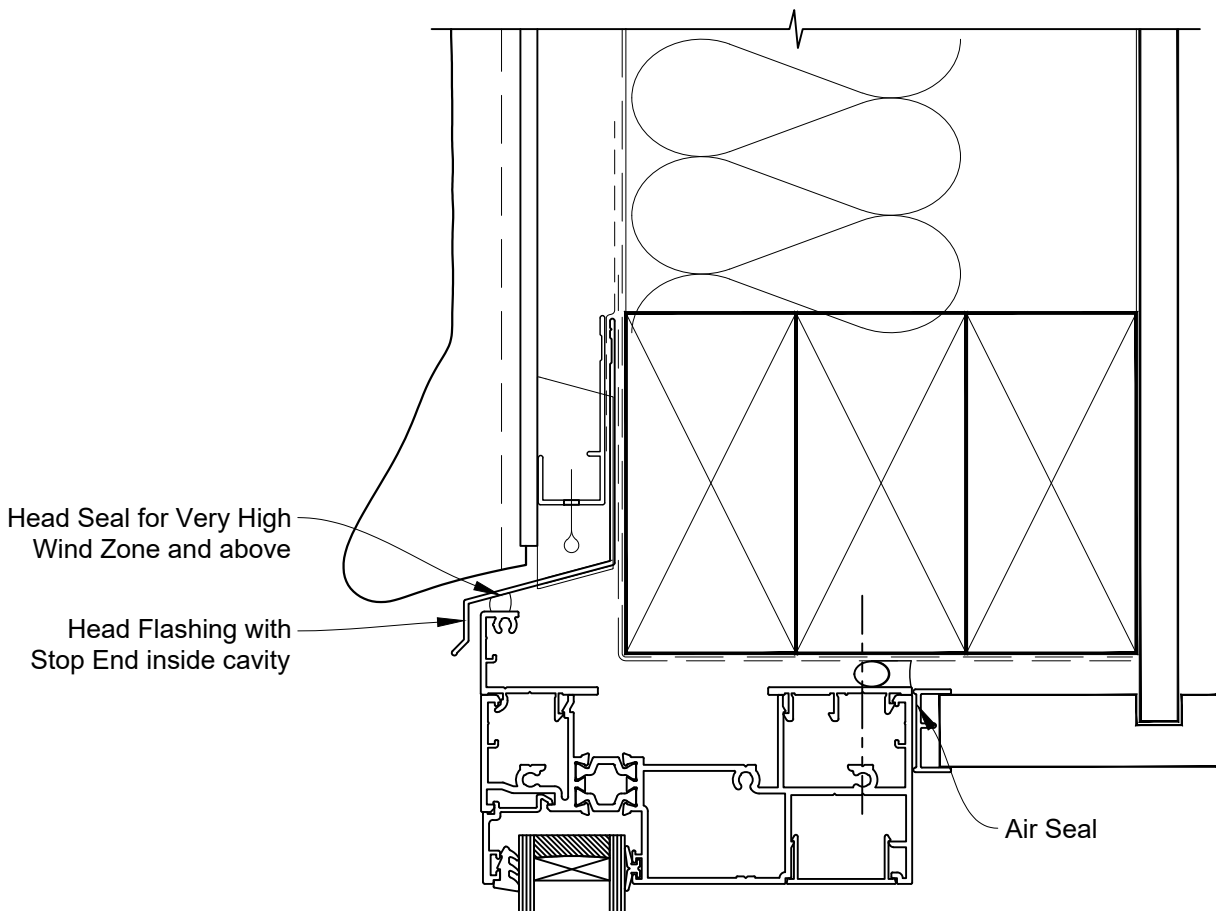


INSTALLATION DETAIL - ARCHITECTURAL THERMAL HEART 114mm AWNING WINDOW ON STUCCO CAVITY CONSTRUCTION

Date: 01.09.23

Scale: 1:2

CAD Ref.: TA114AWST-CH



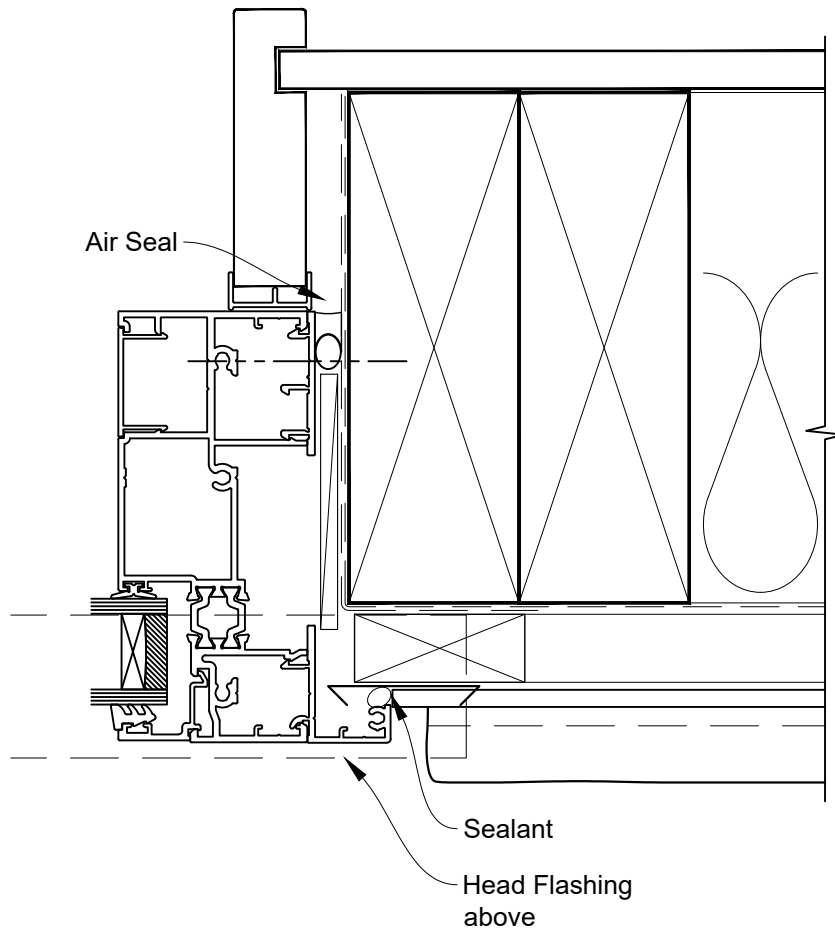


INSTALLATION DETAIL - ARCHITECTURAL THERMAL HEART 114mm AWNING WINDOW ON STUCCO CAVITY CONSTRUCTION

Date: 01.09.23

Scale: 1:2

CAD Ref.: TA114AWST-CJ





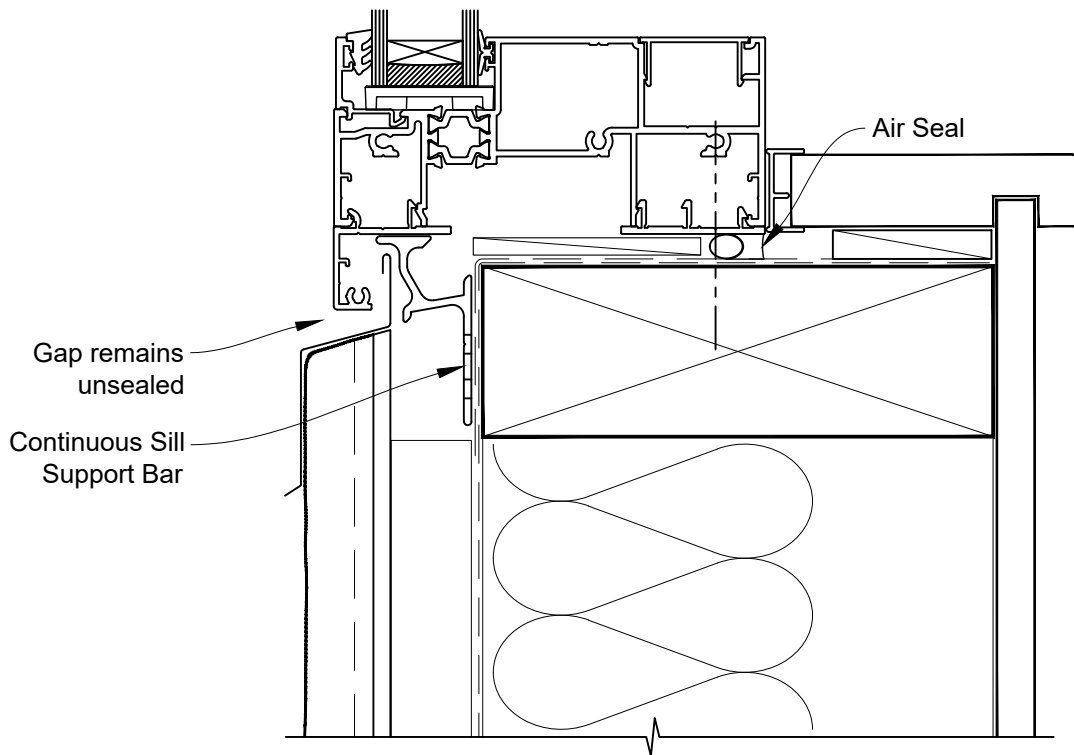
INSTALLATION DETAIL - ARCHITECTURAL THERMAL HEART 114mm AWNING WINDOW ON STUCCO CAVITY CONSTRUCTION

Date: 01.09.23

Scale: 1:2

CAD Ref.: TA114AWST-CS

FACING INFILL OPTION





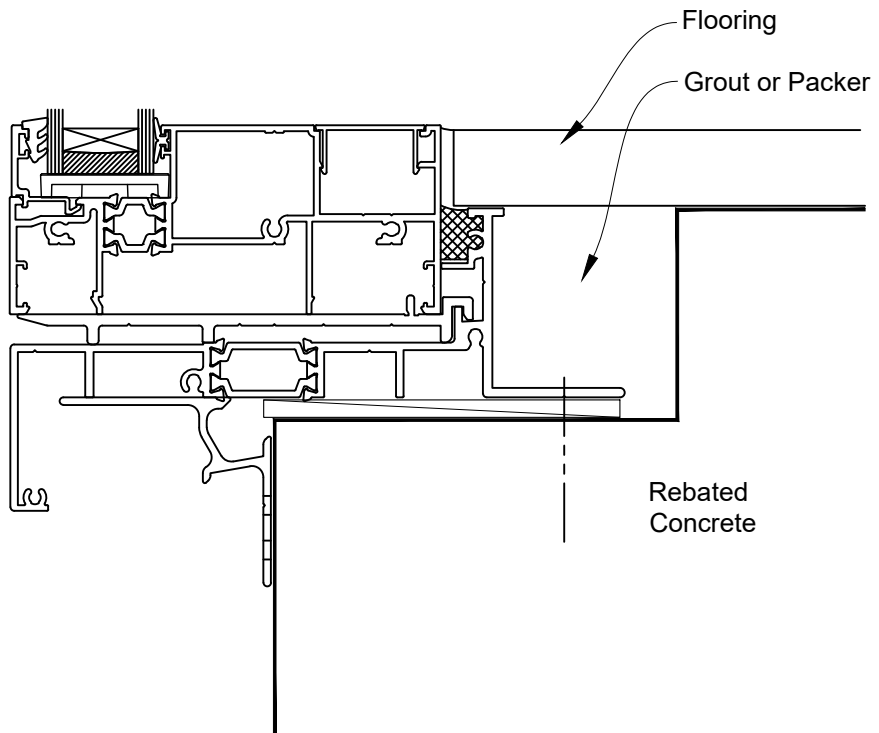
INSTALLATION DETAIL - ARCHITECTURAL THERMAL HEART 114mm AWNING WINDOW ON STUCCO CAVITY CONSTRUCTION

Date: 01.09.23

Scale: 1:2

CAD Ref.: TA114AWST-CS2

SILL TRAY OPTION





INSTALLATION DETAIL - ARCHITECTURAL THERMAL HEART 114mm AWNING WINDOW ON STUCCO CAVITY CONSTRUCTION

Date: 01.09.23

Scale: 1:2

CAD Ref.: TA114AWST-CS3

SILL TRAY OPTION

