

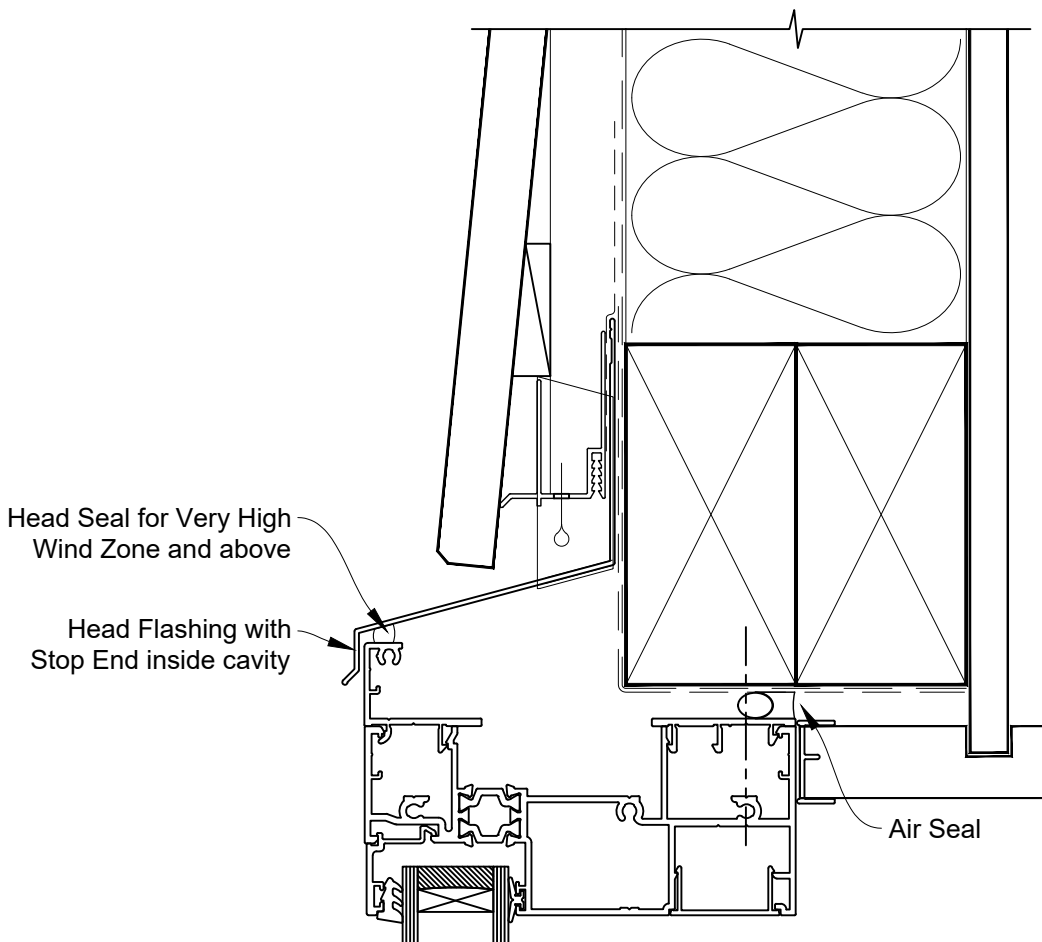


# INSTALLATION DETAIL - ARCHITECTURAL THERMAL HEART 114mm AWNING WINDOW ON BEVELBACK WEATHERBOARD CAVITY CONSTRUCTION

Date: 01.09.23

Scale: 1:2

CAD Ref.: TA114AWBW-CH



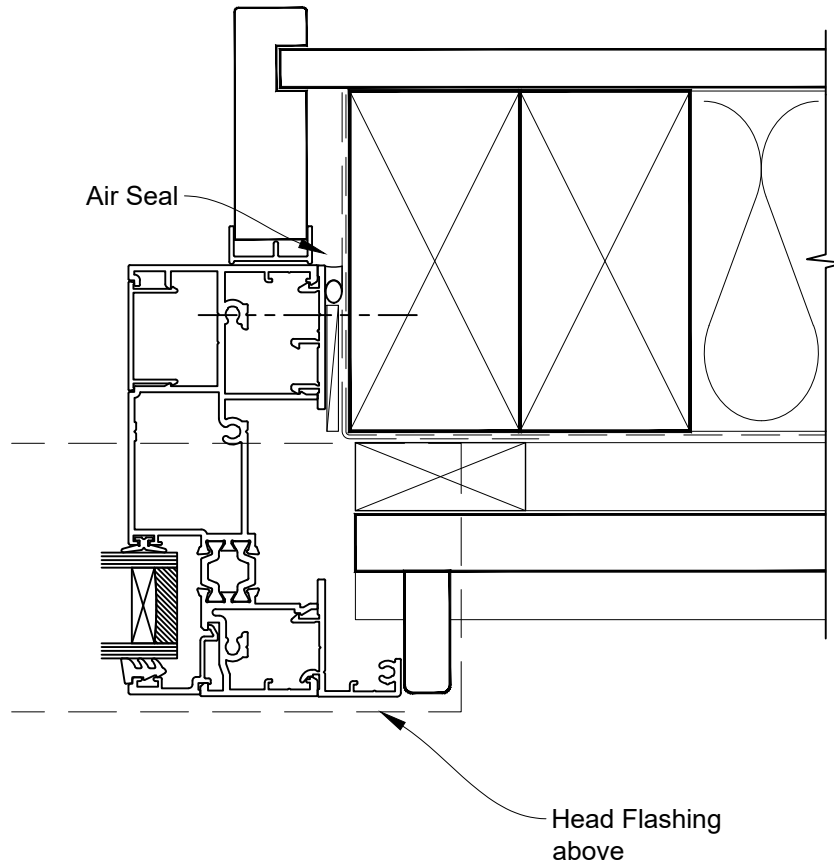


# INSTALLATION DETAIL - ARCHITECTURAL THERMAL HEART 114mm AWNING WINDOW ON BEVELBACK WEATHERBOARD CAVITY CONSTRUCTION

Date: 01.09.23

Scale: 1:2

CAD Ref.: TA114AWBW-CJ





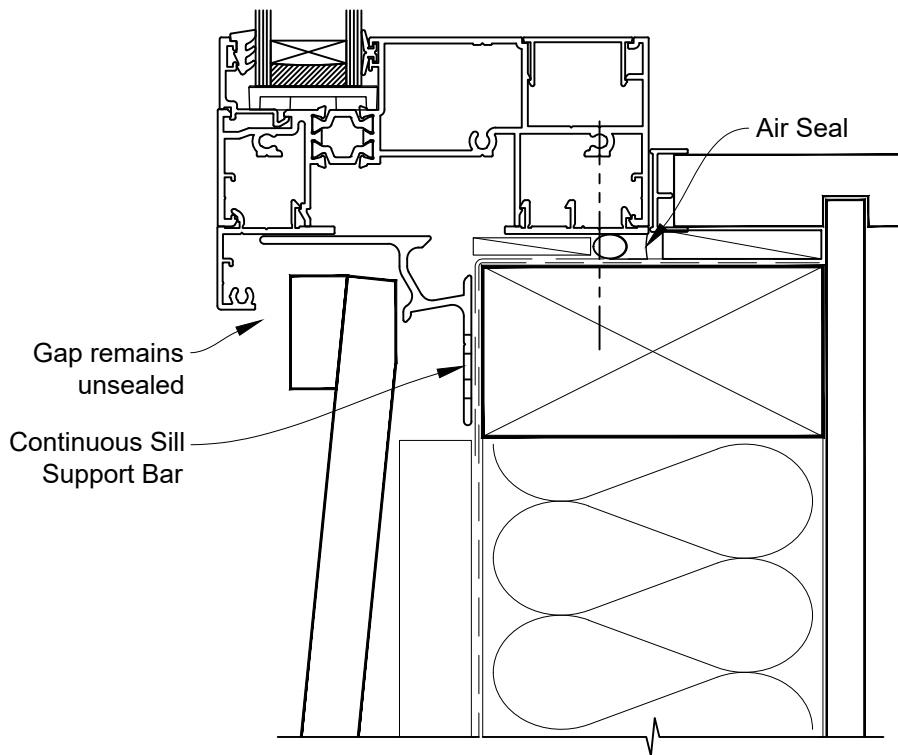
# INSTALLATION DETAIL - ARCHITECTURAL THERMAL HEART 114mm AWNING WINDOW ON BEVELBACK WEATHERBOARD CAVITY CONSTRUCTION

Date: 01.09.23

Scale: 1:2

CAD Ref.: TA114AWBW-CS

## FACING INFILL OPTION





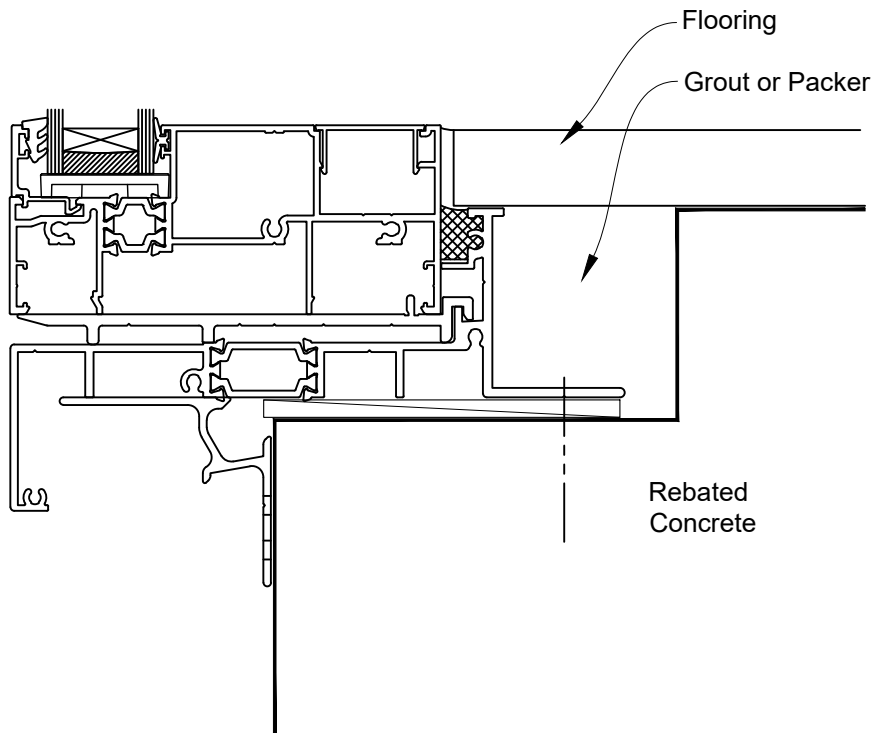
# INSTALLATION DETAIL - ARCHITECTURAL THERMAL HEART 114mm AWNING WINDOW ON BEVELBACK WEATHERBOARD CAVITY CONSTRUCTION

Date: 01.09.23

Scale: 1:2

CAD Ref.: TA114AWBW-CS2

## SILL TRAY OPTION





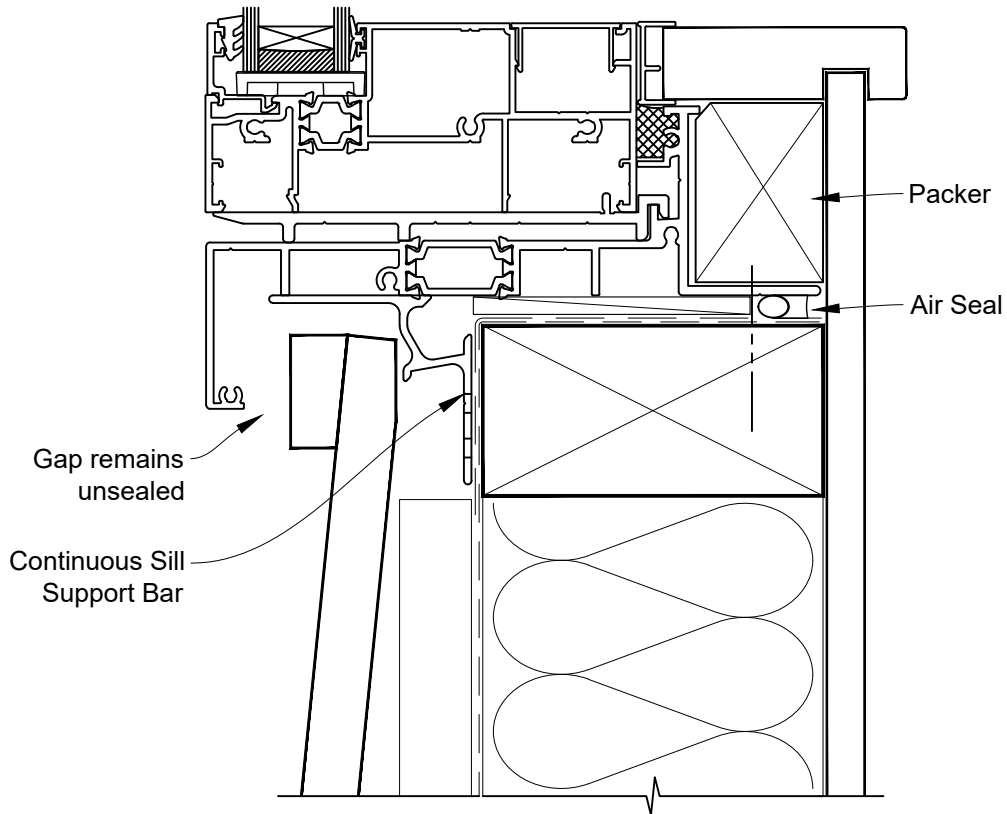
# INSTALLATION DETAIL - ARCHITECTURAL THERMAL HEART 114mm AWNING WINDOW ON BEVELBACK WEATHERBOARD CAVITY CONSTRUCTION

Date: 01.09.23

Scale: 1:2

CAD Ref.: TA114AWBW-CS3

## SILL TRAY OPTION



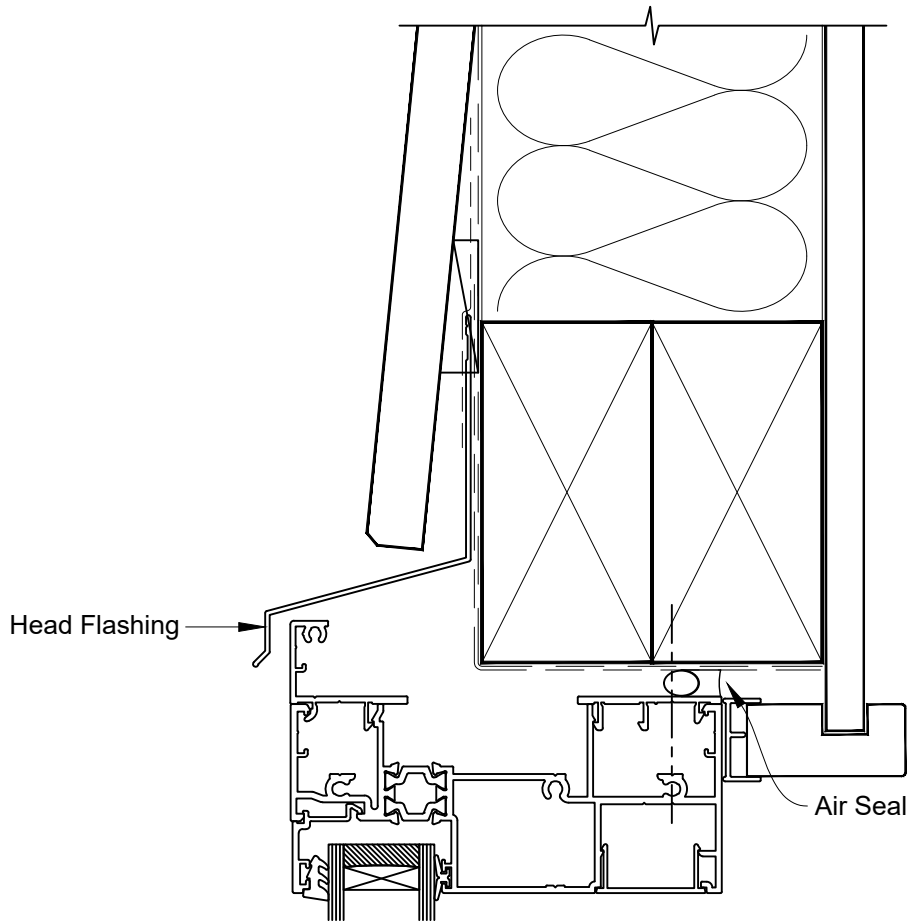


# INSTALLATION DETAIL - ARCHITECTURAL THERMAL HEART 114mm AWNING WINDOW ON BEVELBACK WEATHERBOARD DIRECT FIXED CLADDING

Date: 01.09.23

Scale: 1:2

CAD Ref.: TA114AWBW-DH



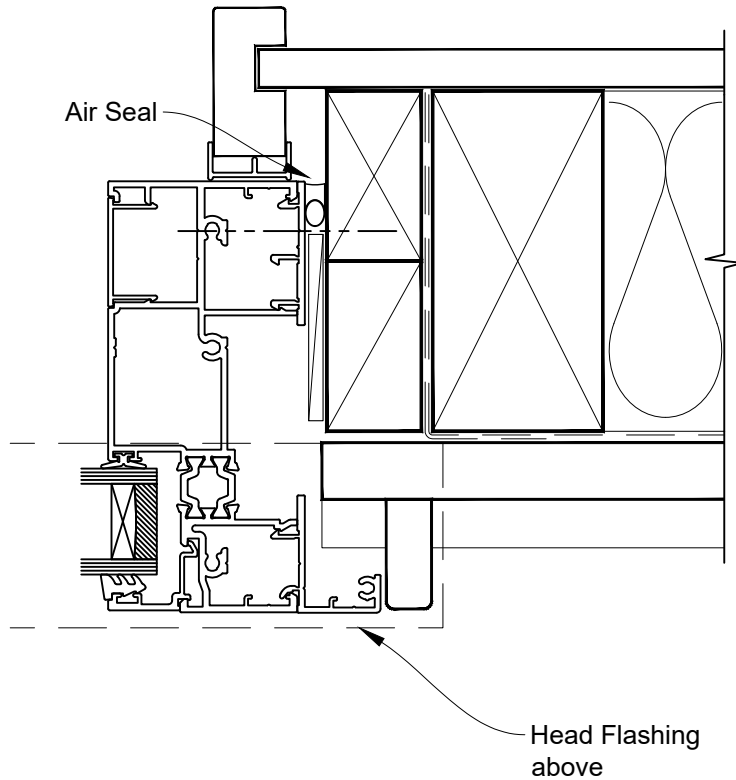


# INSTALLATION DETAIL - ARCHITECTURAL THERMAL HEART 114mm AWNING WINDOW ON BEVELBACK WEATHERBOARD DIRECT FIXED CLADDING

Date: 01.09.23

Scale: 1:2

CAD Ref.: TA114AWBW-DJ





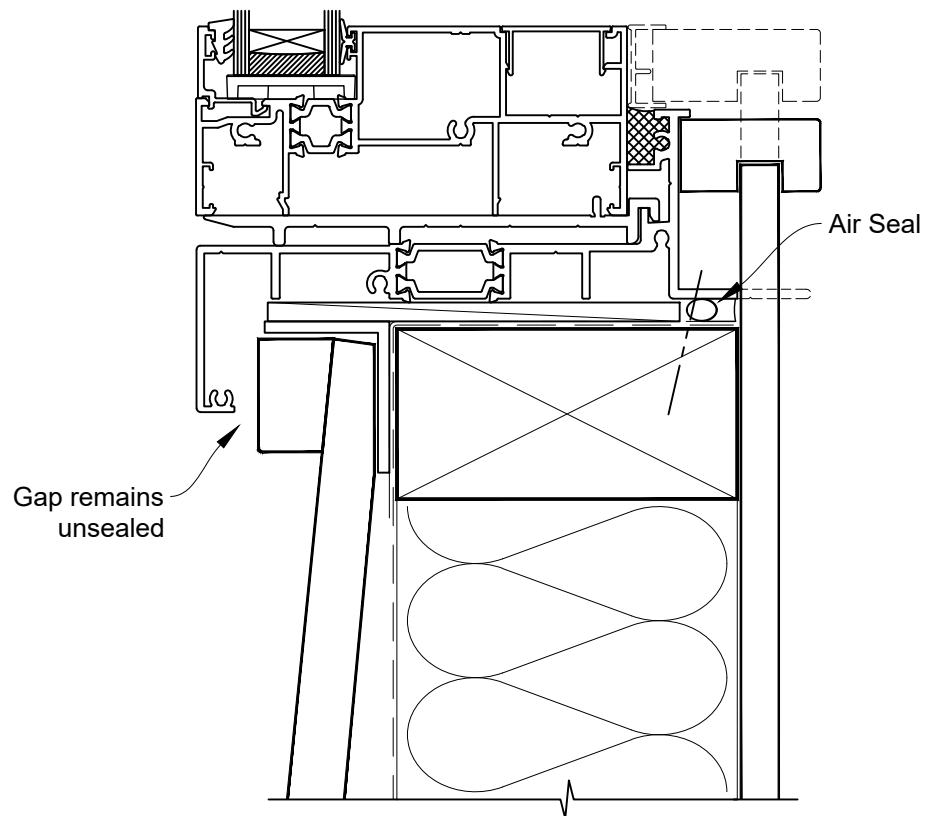
# INSTALLATION DETAIL - ARCHITECTURAL THERMAL HEART 114mm AWNING WINDOW ON BEVELBACK WEATHERBOARD DIRECT FIXED CLADDING

Date: 01.09.23

Scale: 1:2

CAD Ref.: TA114AWBW-DS

## SILL TRAY OPTION







# INSTALLATION DETAIL - ARCHITECTURAL THERMAL HEART 114mm AWNING WINDOW ON BEVELBACK WEATHERBOARD DIRECT FIXED CLADDING

Date: 01.09.23

Scale: 1:2

CAD Ref.: TA114AWBW-DS2

## FACING INFILL OPTION

