

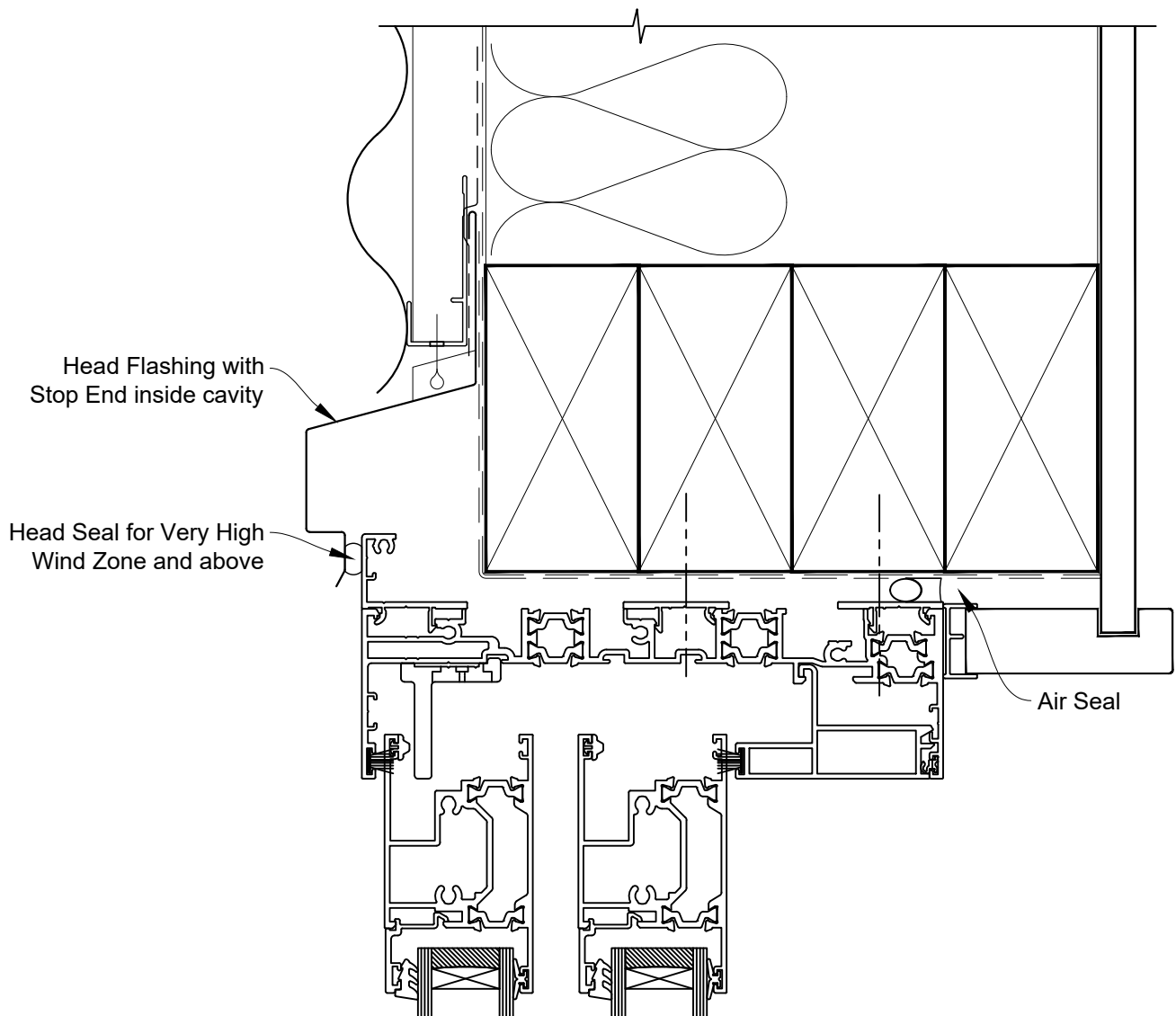


INSTALLATION DETAIL - ARCHITECTURAL THERMAL HEART 171mm SLIDING WINDOW ON PROFILE METAL CAVITY CONSTRUCTION

Date: 01.09.23

Scale: 1:2

CAD Ref.: TA171SWPM-CH



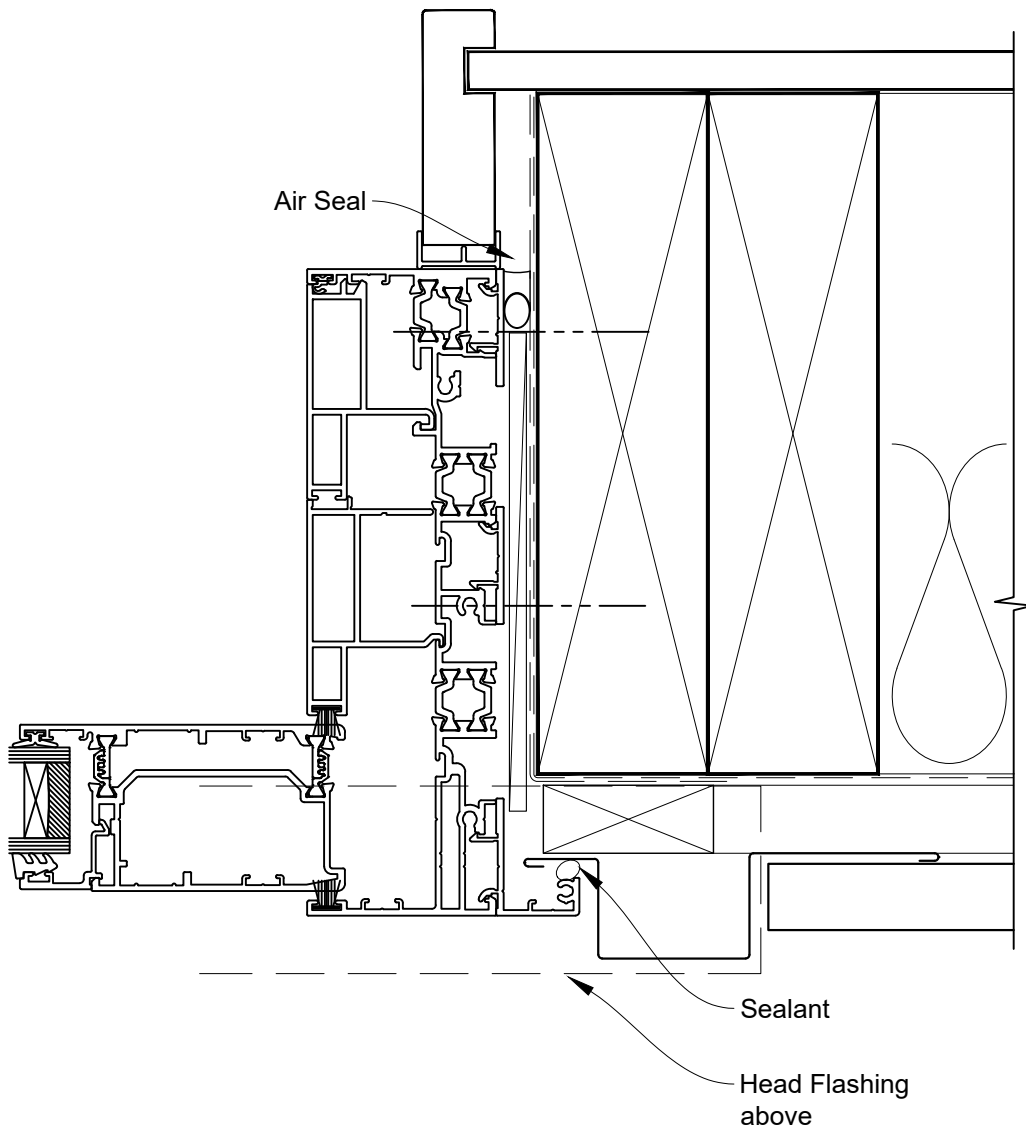


INSTALLATION DETAIL - ARCHITECTURAL THERMAL HEART 171mm SLIDING WINDOW ON PROFILE METAL CAVITY CONSTRUCTION

Date: 01.09.23

Scale: 1:2

CAD Ref.: TA171SWPM-CJ





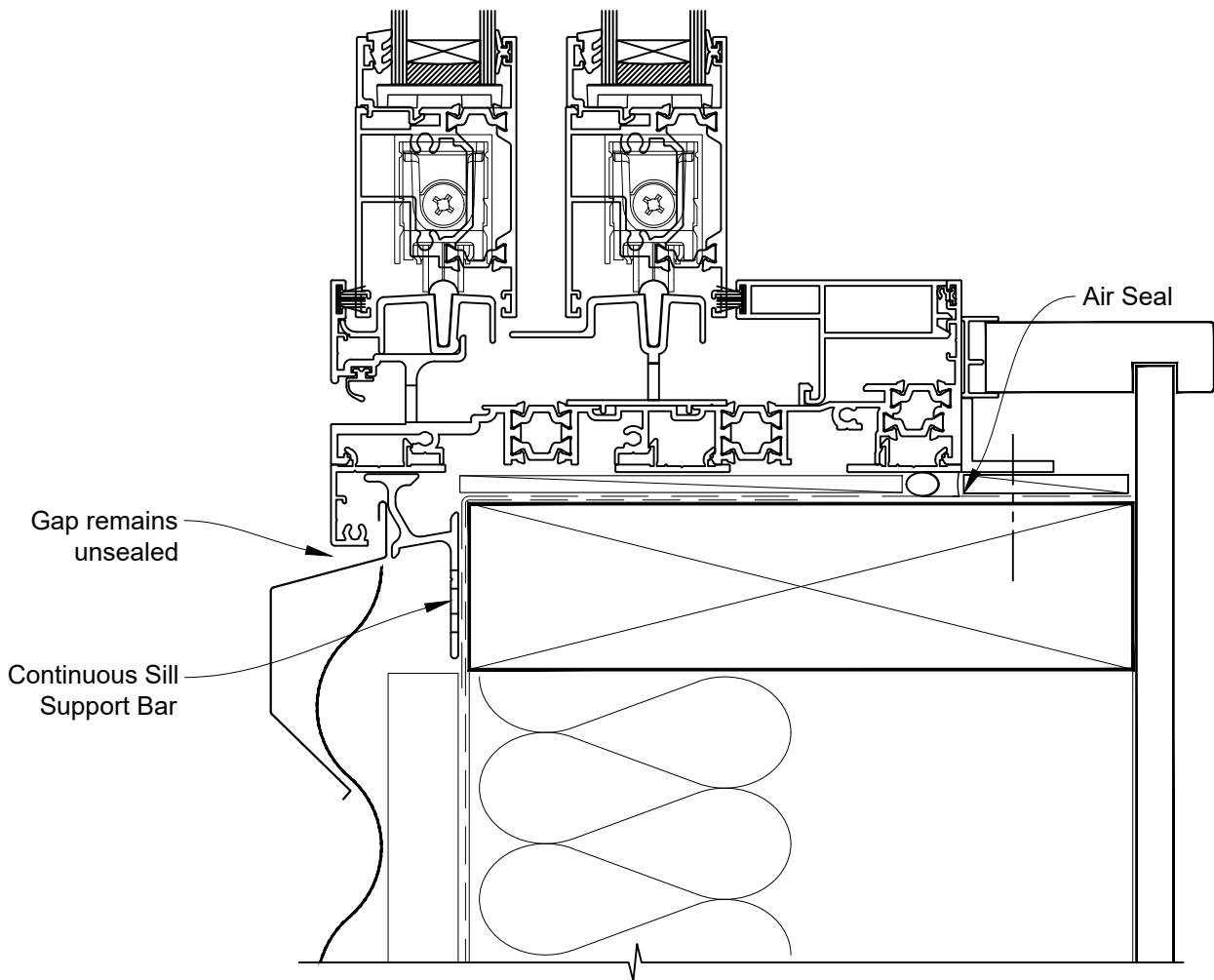
INSTALLATION DETAIL - ARCHITECTURAL THERMAL HEART 171mm SLIDING WINDOW ON PROFILE METAL CAVITY CONSTRUCTION

Date: 01.09.23

Scale: 1:2

CAD Ref.: TA171SWPM-CS

FACING INFILL OPTION





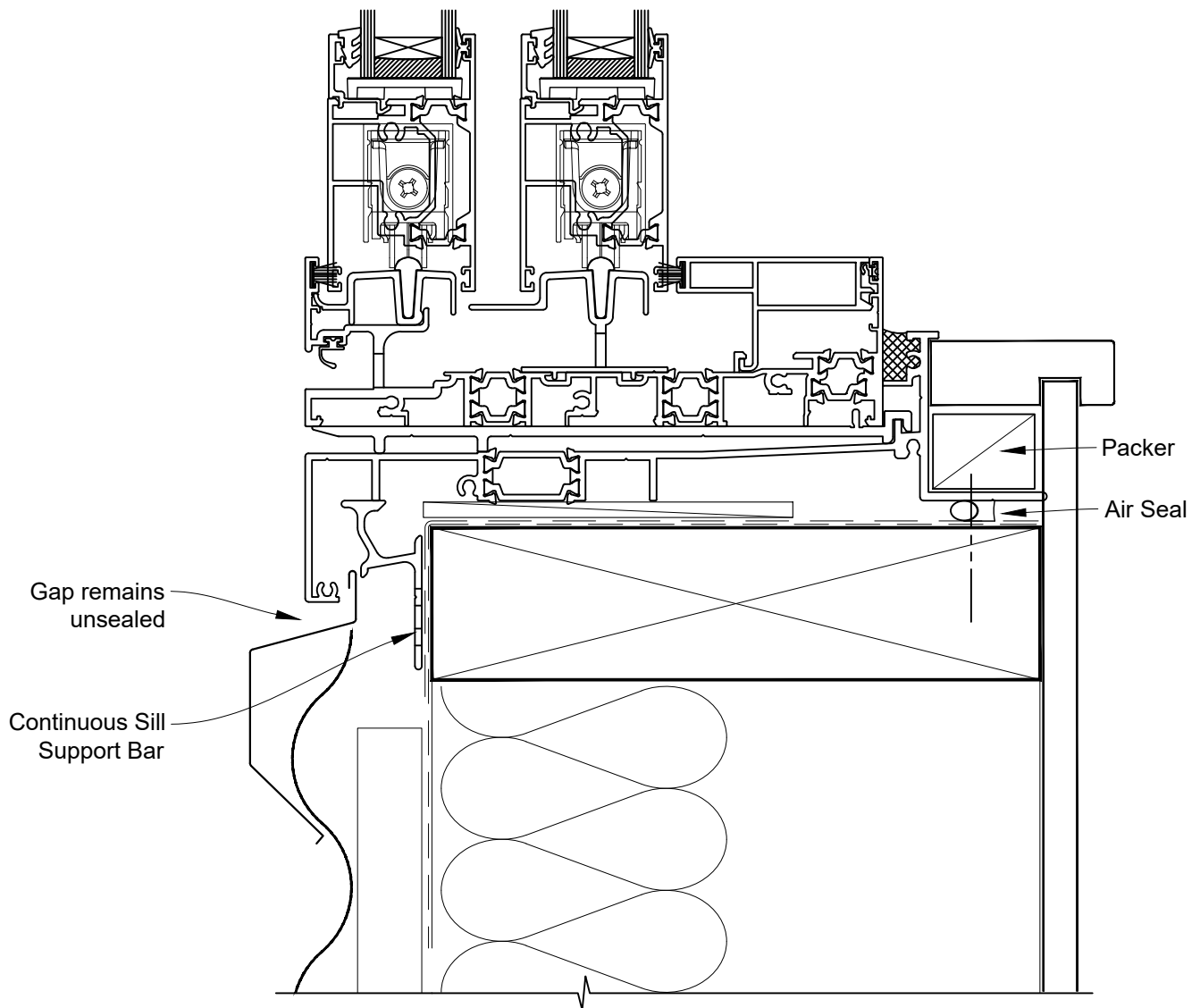
INSTALLATION DETAIL - ARCHITECTURAL THERMAL HEART 171mm SLIDING WINDOW ON PROFILE METAL CAVITY CONSTRUCTION

Date: 01.09.23

Scale: 1:2

CAD Ref.: TA171SWPM-CS2

SILL TRAY OPTION



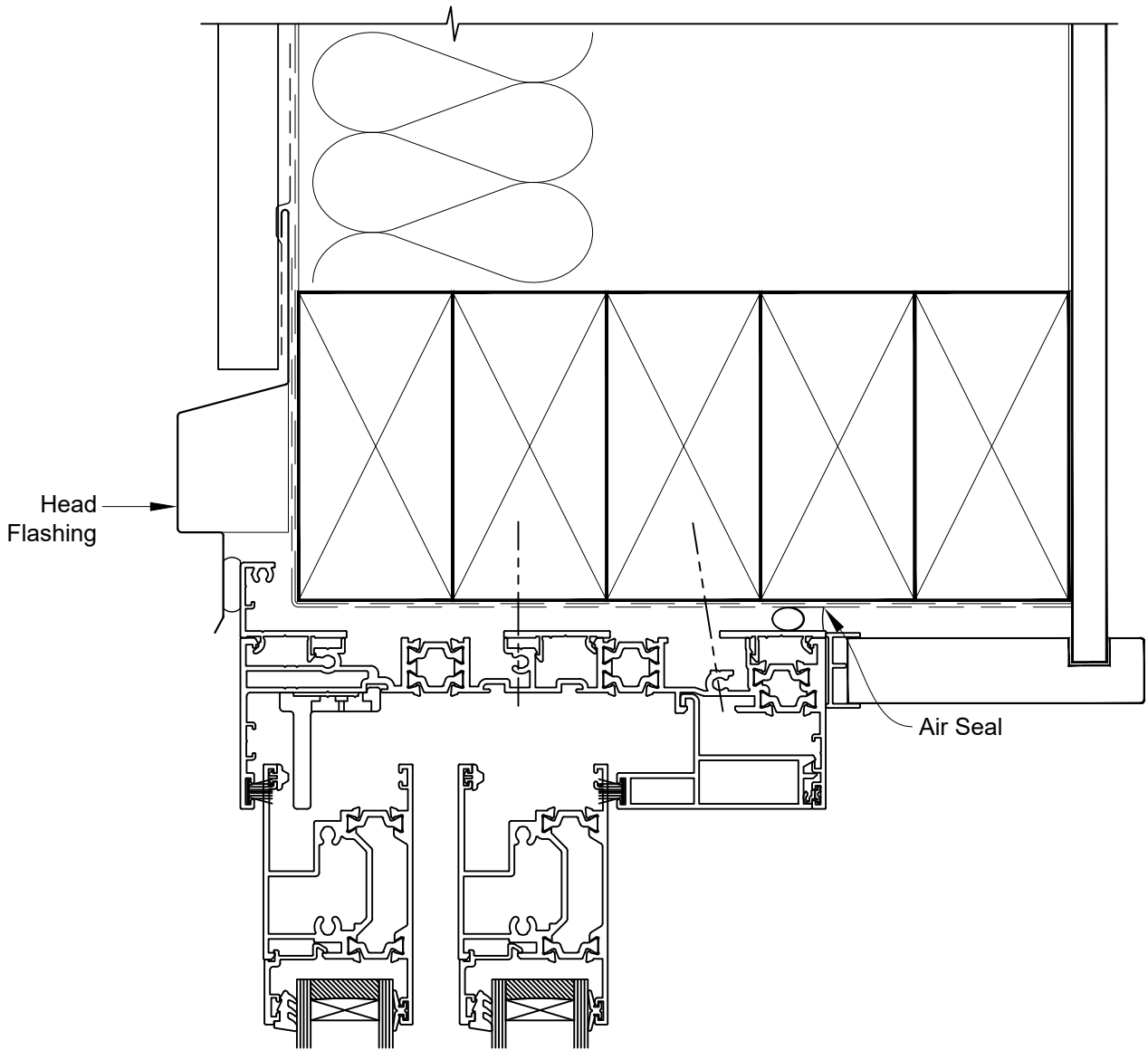


INSTALLATION DETAIL - ARCHITECTURAL THERMAL HEART 171mm SLIDING WINDOW ON PROFILE METAL DIRECT FIXED CLADDING

Date: 01.09.23

Scale: 1:2

CAD Ref.: TA171SWPM-DH



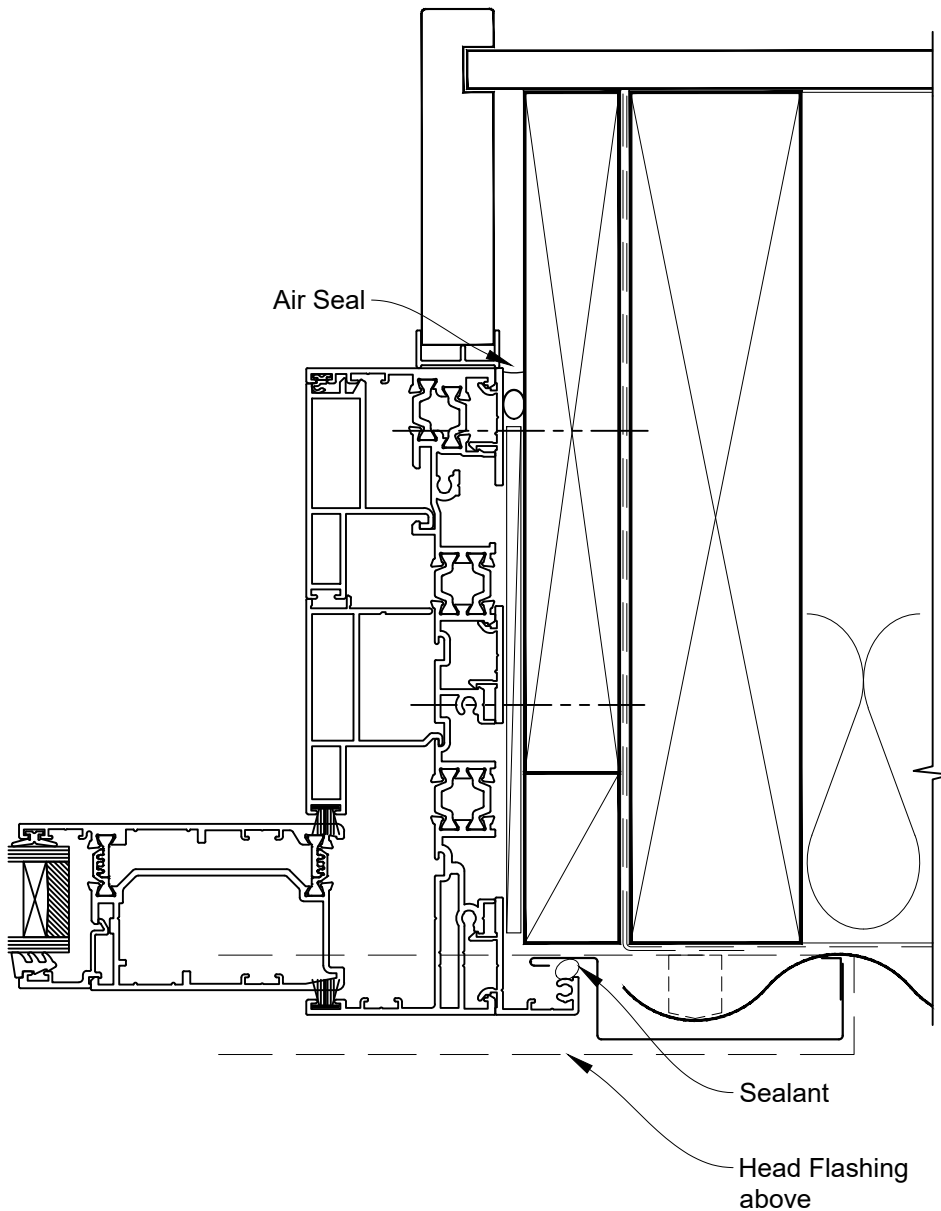


INSTALLATION DETAIL - ARCHITECTURAL THERMAL HEART 171mm SLIDING WINDOW ON PROFILE METAL DIRECT FIXED CLADDING

Date: 01.09.23

Scale: 1:2

CAD Ref.: TA171SWPM-DJ





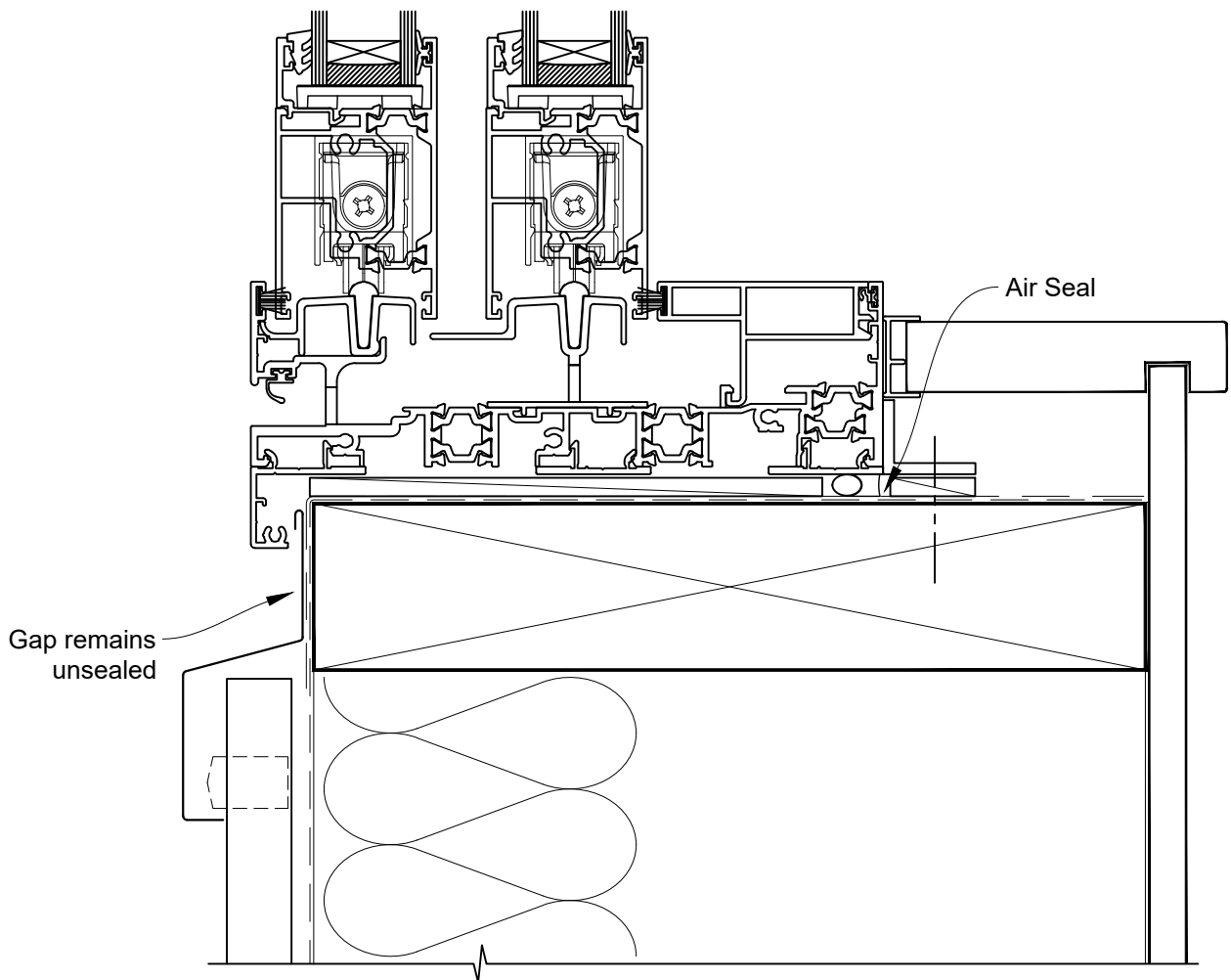
INSTALLATION DETAIL - ARCHITECTURAL THERMAL HEART 171mm SLIDING WINDOW ON PROFILE METAL DIRECT FIXED CLADDING

Date: 01.09.23

Scale: 1:2

CAD Ref.: TA171SWPM-DS

FACING INFILL OPTION





INSTALLATION DETAIL - ARCHITECTURAL THERMAL HEART 171mm SLIDING WINDOW ON PROFILE METAL DIRECT FIXED CLADDING

Date: 01.09.23

Scale: 1:2

CAD Ref.: TA171SWPM-DS2

SILL TRAY OPTION

