

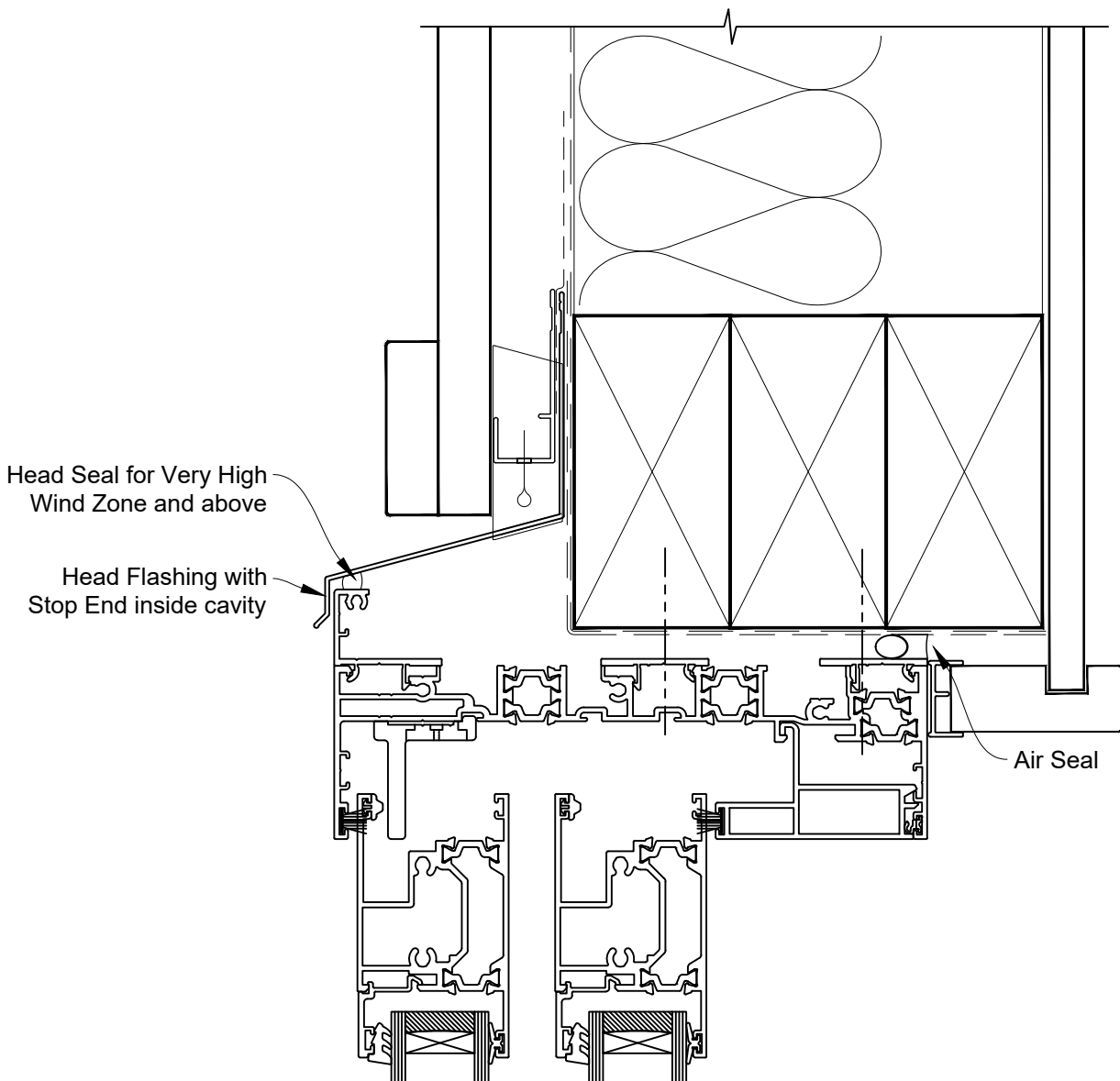


# INSTALLATION DETAIL - ARCHITECTURAL THERMAL HEART 171mm SLIDING WINDOW ON BOARD & BATTEN CAVITY CONSTRUCTION

Date: 01.09.23

Scale: 1:2

CAD Ref.: TA171SWBB-CH



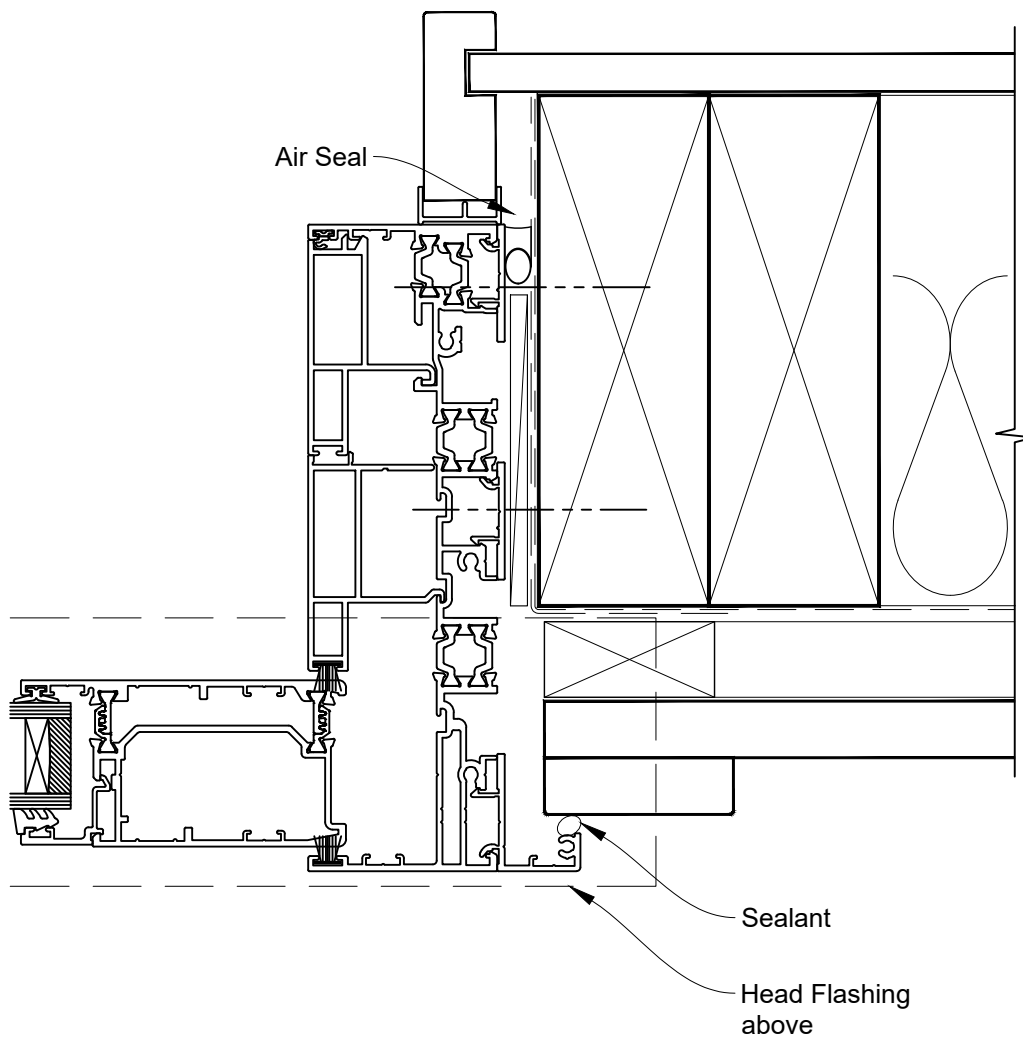


# INSTALLATION DETAIL - ARCHITECTURAL THERMAL HEART 171mm SLIDING WINDOW ON BOARD & BATTEN CAVITY CONSTRUCTION

Date: 01.09.23

Scale: 1:2

CAD Ref.: TA171SWBB-CJ





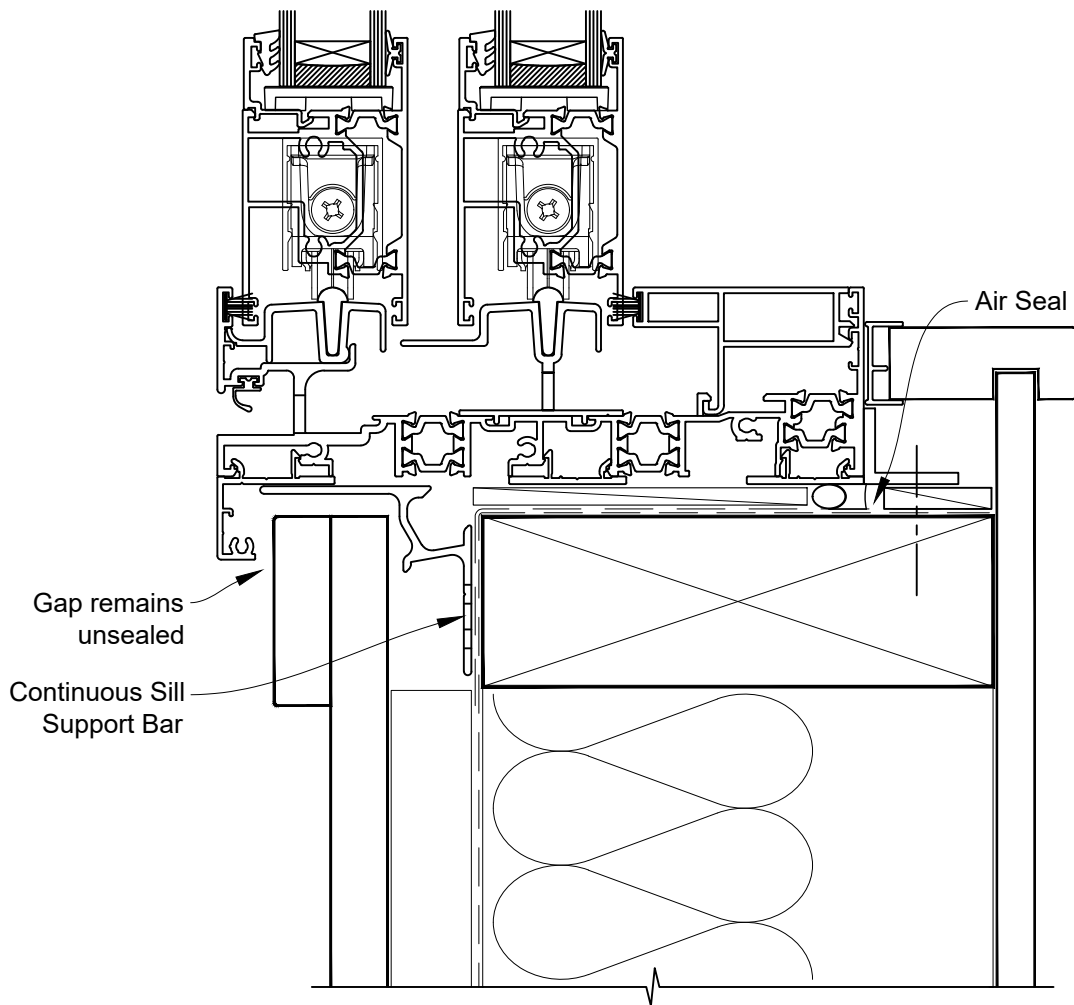
# INSTALLATION DETAIL - ARCHITECTURAL THERMAL HEART 171mm SLIDING WINDOW ON BOARD & BATTEN CAVITY CONSTRUCTION

Date: 01.09.23

Scale: 1:2

CAD Ref.: TA171SWBB-CS

## FACING INFILL OPTION





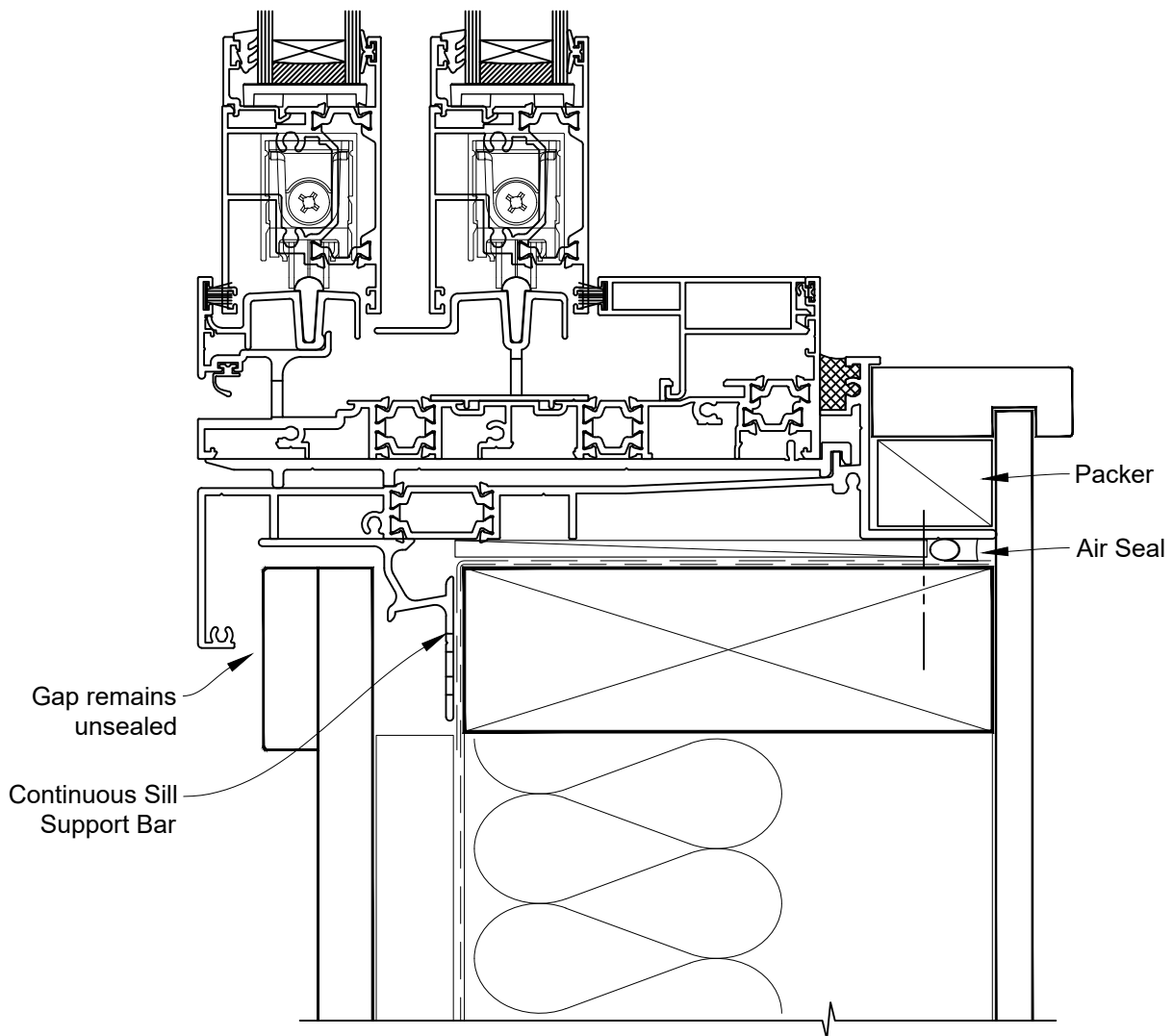
# INSTALLATION DETAIL - ARCHITECTURAL THERMAL HEART 171mm SLIDING WINDOW ON BOARD & BATTEN CAVITY CONSTRUCTION

Date: 01.09.23

Scale: 1:2

CAD Ref.: TA171SWBB-CS2

## SILL TRAY OPTION



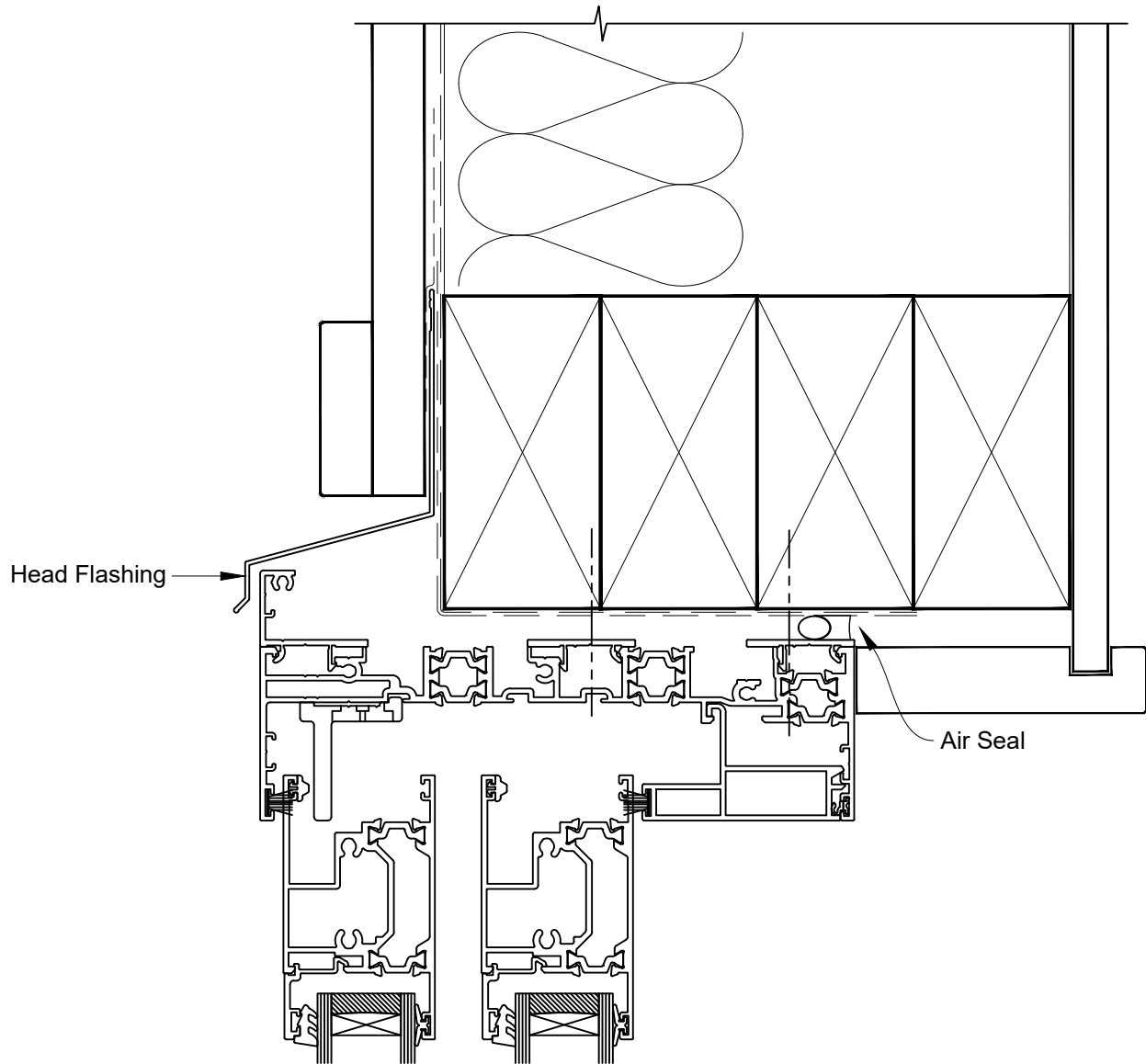


# INSTALLATION DETAIL - ARCHITECTURAL THERMAL HEART 171mm SLIDING WINDOW ON BOARD & BATTEN DIRECT FIXED CLADDING

Date: 01.09.23

Scale: 1:2

CAD Ref.: TA171SWBB-DH



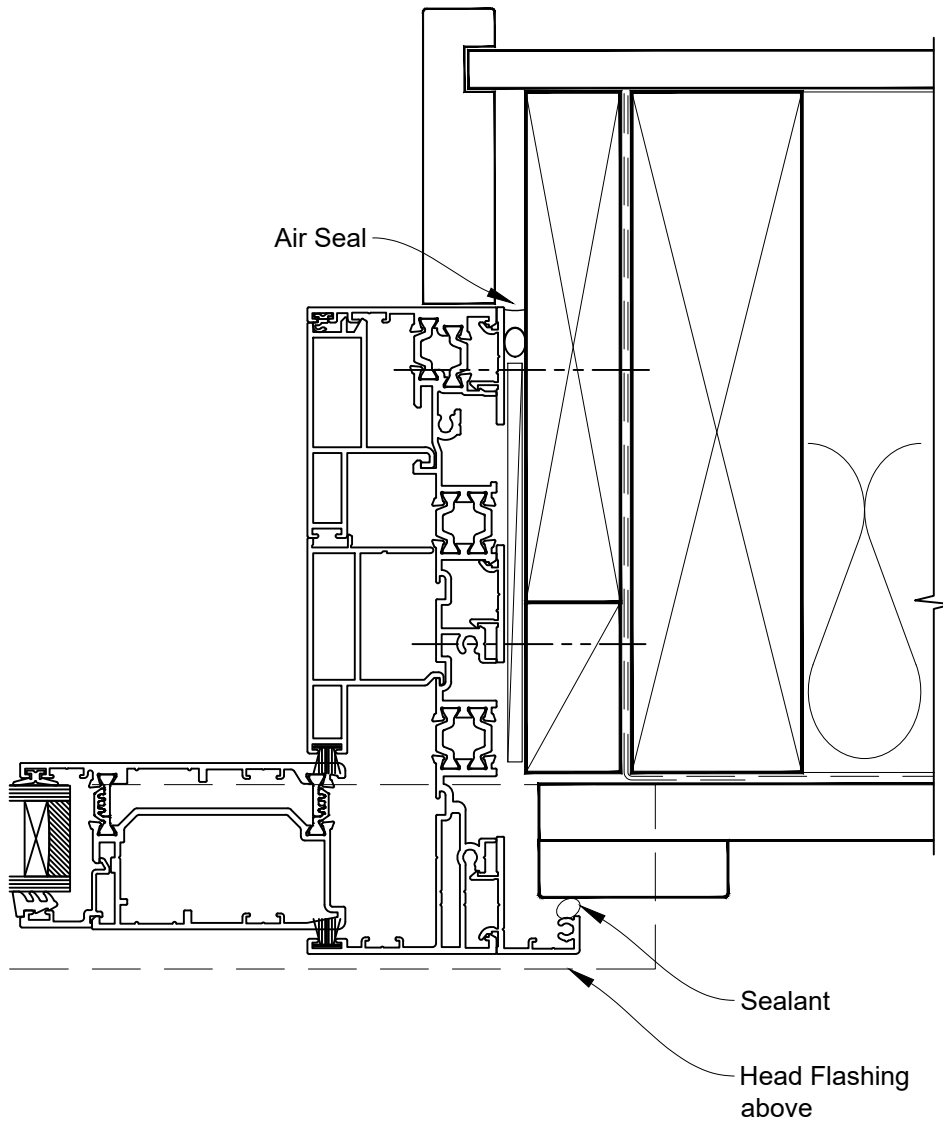


# INSTALLATION DETAIL - ARCHITECTURAL THERMAL HEART 171mm SLIDING WINDOW ON BOARD & BATTEN DIRECT FIXED CLADDING

Date: 01.09.23

Scale: 1:2

CAD Ref.: TA171SWBB-DJ





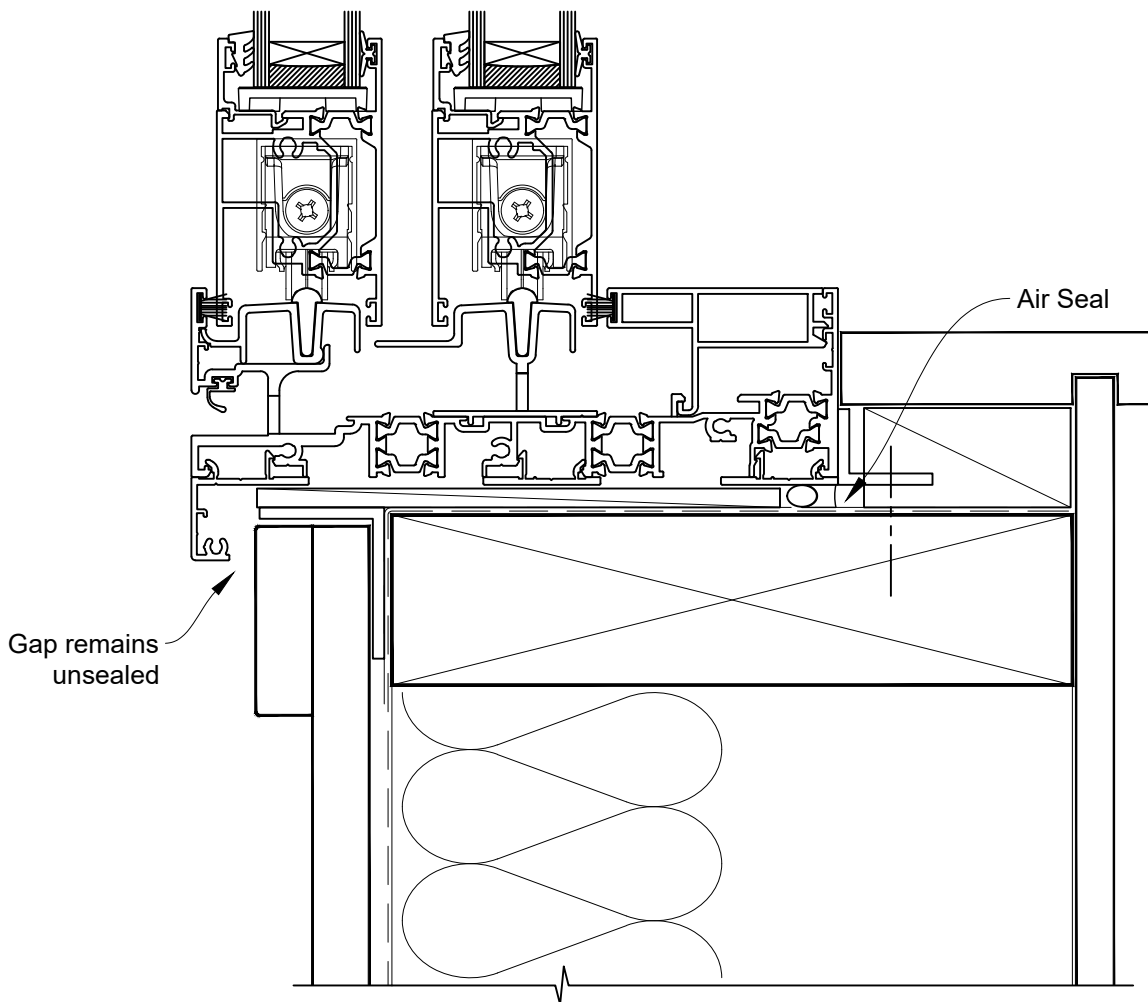
# INSTALLATION DETAIL - ARCHITECTURAL THERMAL HEART 171mm SLIDING WINDOW ON BOARD & BATTEN DIRECT FIXED CLADDING

Date: 01.09.23

Scale: 1:2

CAD Ref.: TA171SWBB-DS

## FACING INFILL OPTION





# INSTALLATION DETAIL - ARCHITECTURAL THERMAL HEART 171mm SLIDING WINDOW ON BOARD & BATTEN DIRECT FIXED CLADDING

Date: 01.09.23

Scale: 1:2

CAD Ref.: TA171SWBB-DS2

## SILL TRAY OPTION

