

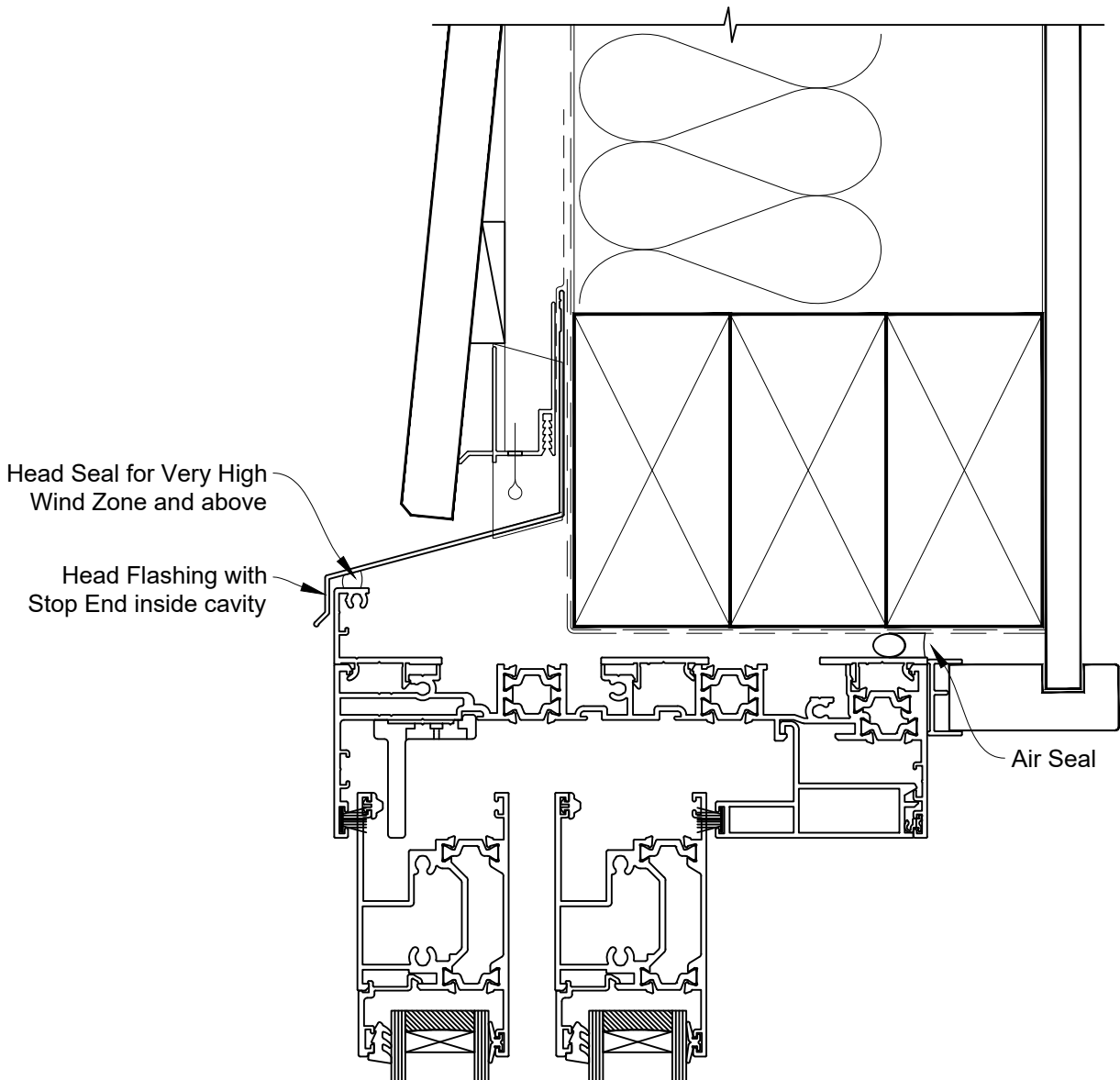


INSTALLATION DETAIL - ARCHITECTURAL THERMAL HEART 171mm SLIDING DOOR ON BEVELBACK WEATHERBOARD CAVITY CONSTRUCTION

Date: 01.09.23

Scale: 1:2

CAD Ref.: TA171SDBW-CH



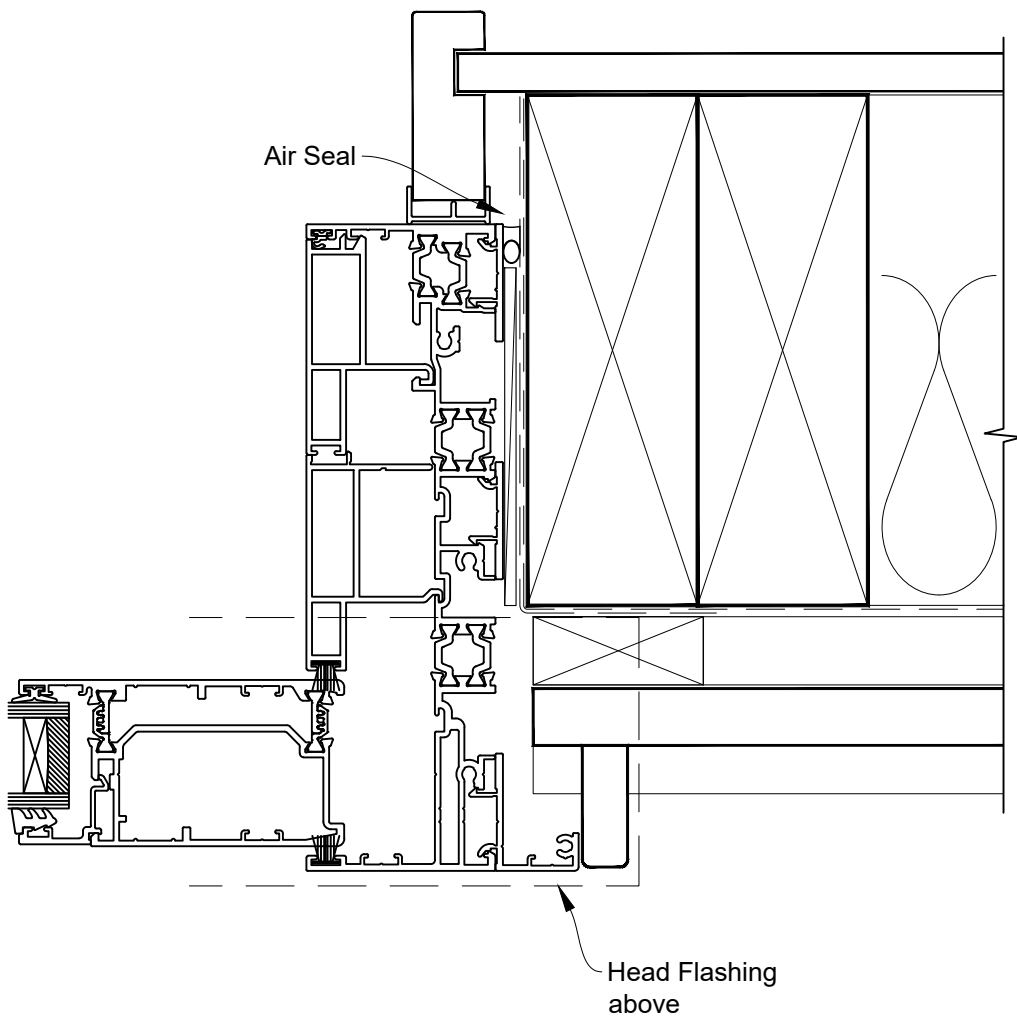


INSTALLATION DETAIL - ARCHITECTURAL THERMAL HEART 171mm SLIDING DOOR ON BEVELBACK WEATHERBOARD CAVITY CONSTRUCTION

Date: 01.09.23

Scale: 1:2

CAD Ref.: TA171SDBW-CJ





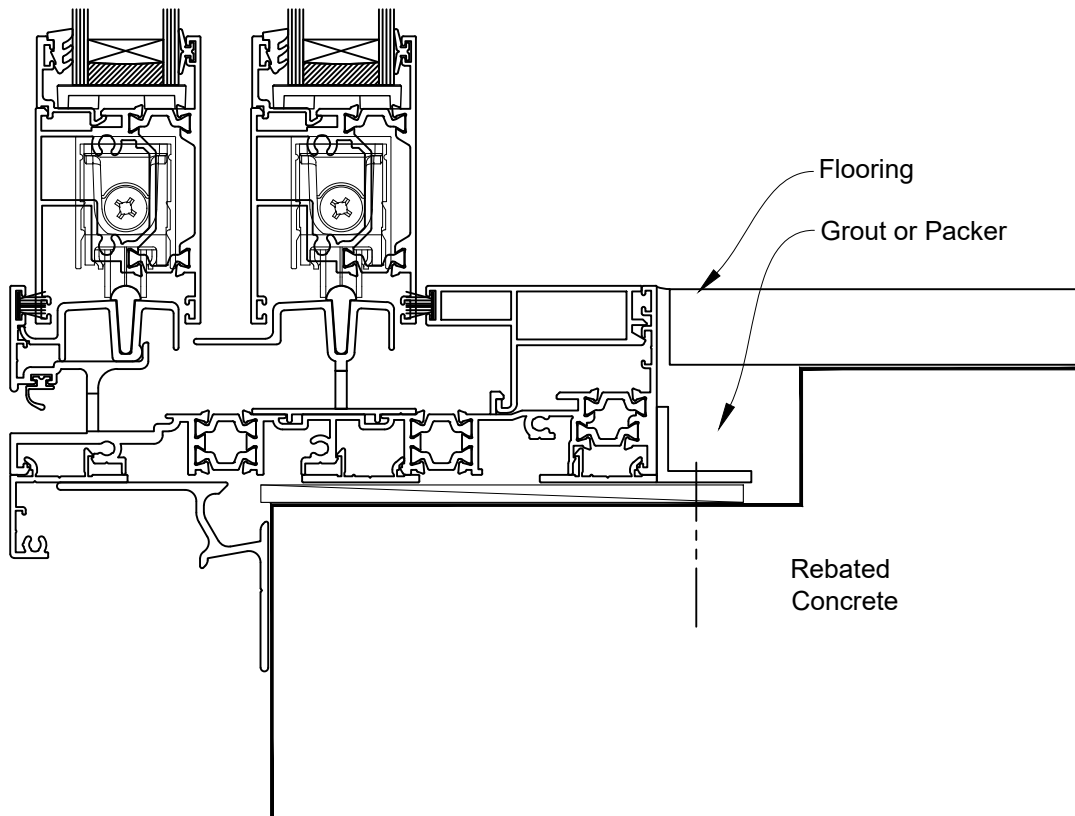
INSTALLATION DETAIL - ARCHITECTURAL THERMAL HEART 171mm SLIDING DOOR ON BEVELBACK WEATHERBOARD CAVITY CONSTRUCTION

Date: 01.09.23

Scale: 1:2

CAD Ref.: TA171SDBW-CS

FACING INFILL OPTION





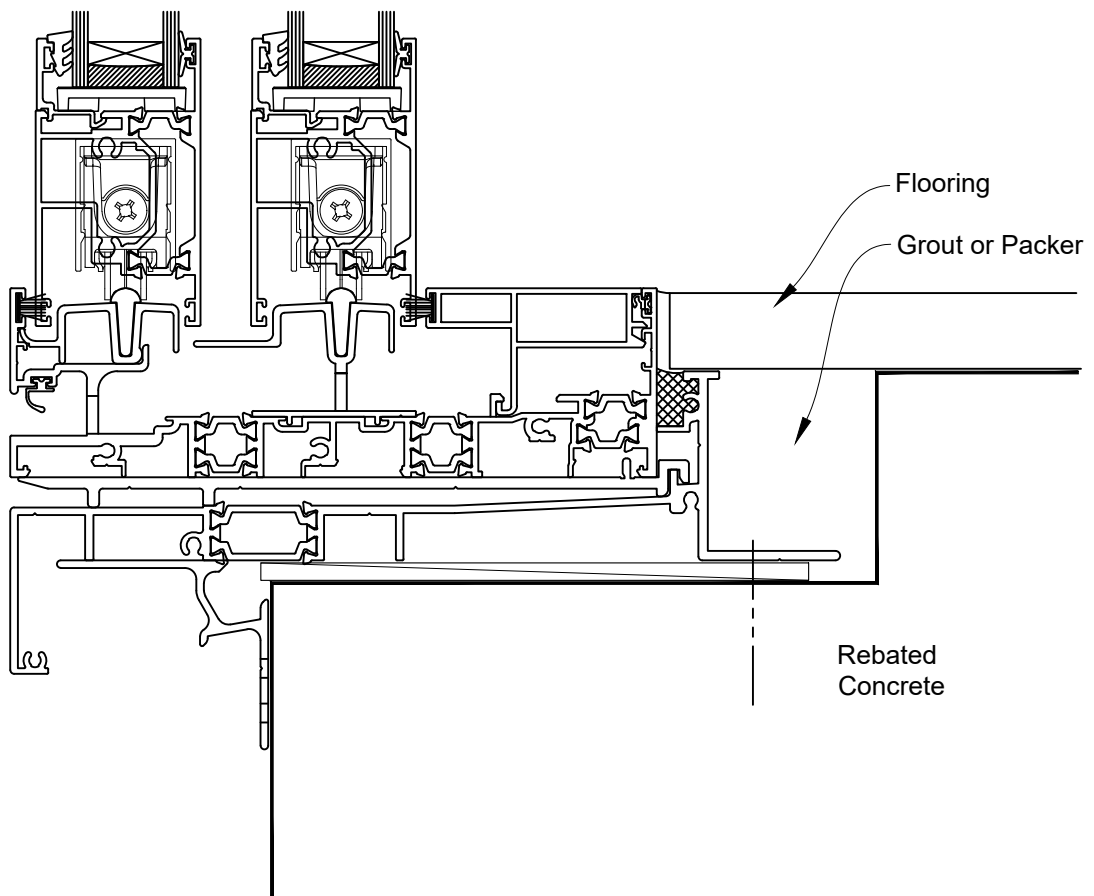
INSTALLATION DETAIL - ARCHITECTURAL THERMAL HEART 171mm SLIDING DOOR ON BEVELBACK WEATHERBOARD CAVITY CONSTRUCTION

Date: 01.09.23

Scale: 1:2

CAD Ref.: TA171SDBW-CS2

SILL TRAY OPTION



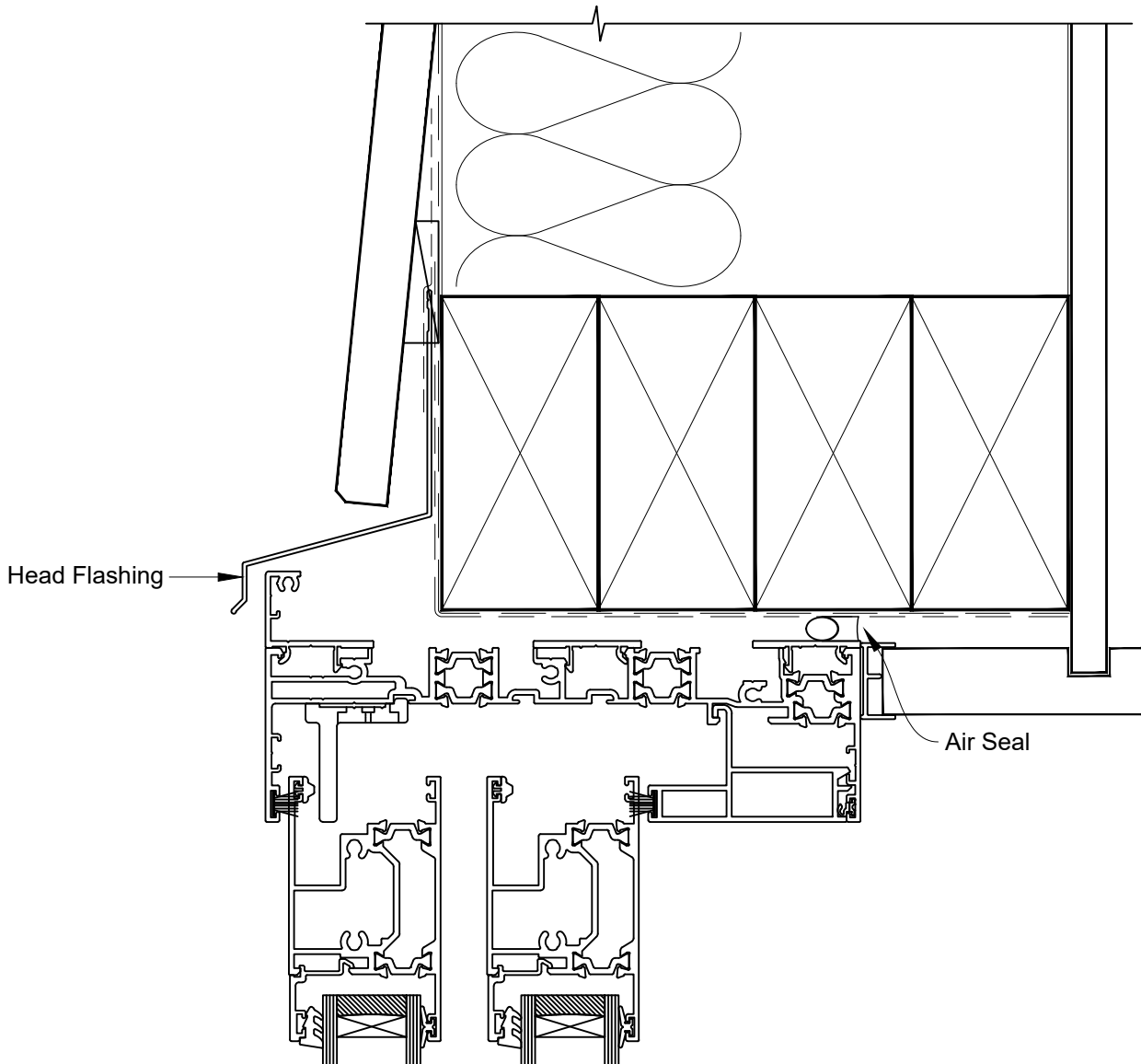


INSTALLATION DETAIL - ARCHITECTURAL THERMAL HEART 171mm SLIDING DOOR ON BEVELBACK WEATHERBOARD DIRECT FIXED CLADDING

Date: 01.09.23

Scale: 1:2

CAD Ref.: TA171SDBW-DH



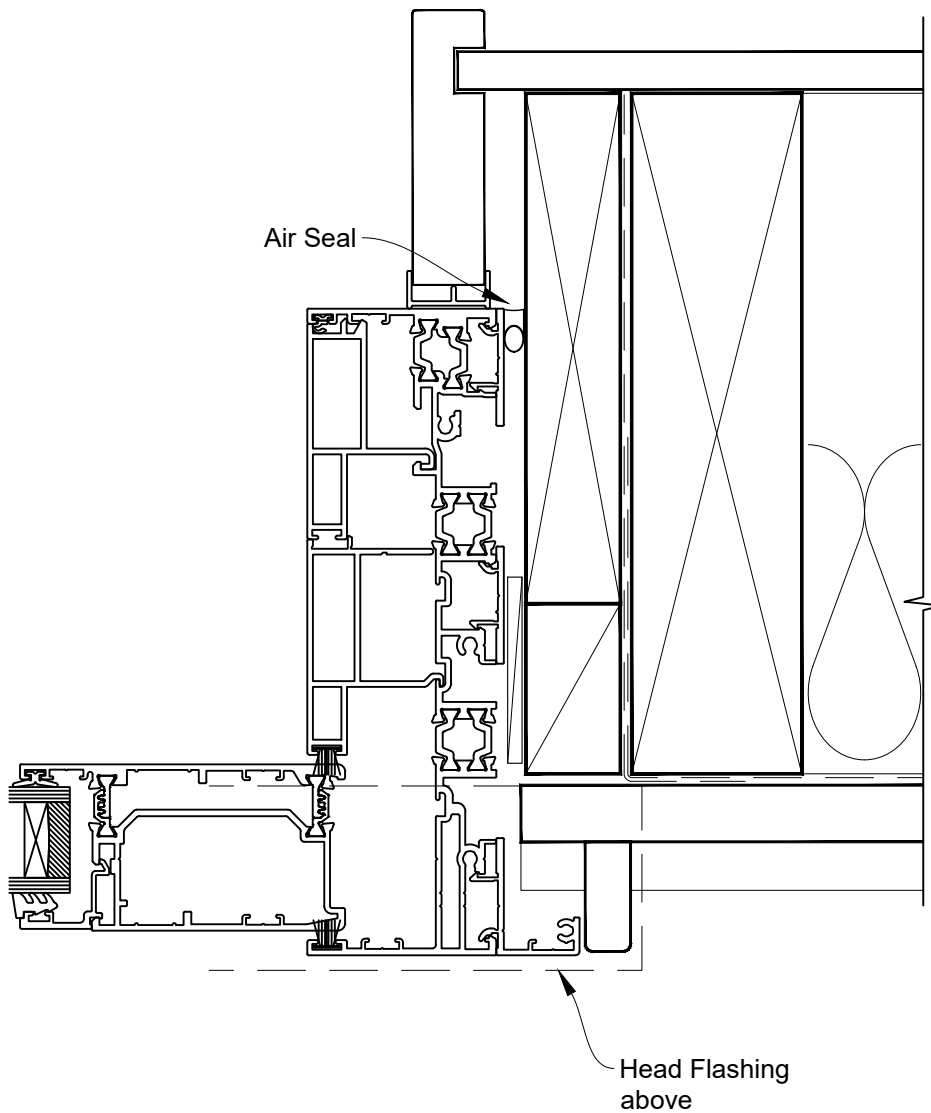


INSTALLATION DETAIL - ARCHITECTURAL THERMAL HEART 171mm SLIDING DOOR ON BEVELBACK WEATHERBOARD DIRECT FIXED CLADDING

Date: 01.09.23

Scale: 1:2

CAD Ref.: TA171SDBW-DJ





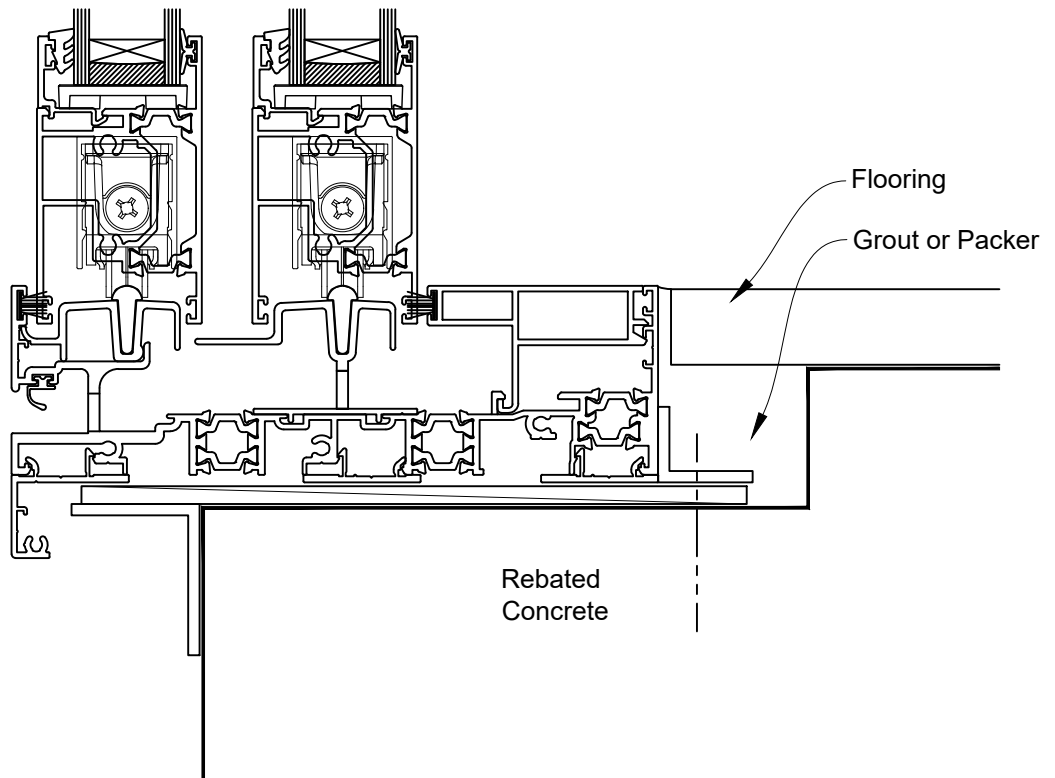
INSTALLATION DETAIL - ARCHITECTURAL THERMAL HEART 171mm SLIDING DOOR ON BEVELBACK WEATHERBOARD DIRECT FIXED CLADDING

Date: 01.09.23

Scale: 1:2

CAD Ref.: TA171SDBW-DS

SILL TRAY OPTION





INSTALLATION DETAIL - ARCHITECTURAL THERMAL HEART 171mm SLIDING DOOR ON BEVELBACK WEATHERBOARD DIRECT FIXED CLADDING

Date: 01.09.23

Scale: 1:2

CAD Ref.: TA171SDBW-DS2

FACING INFILL OPTION

