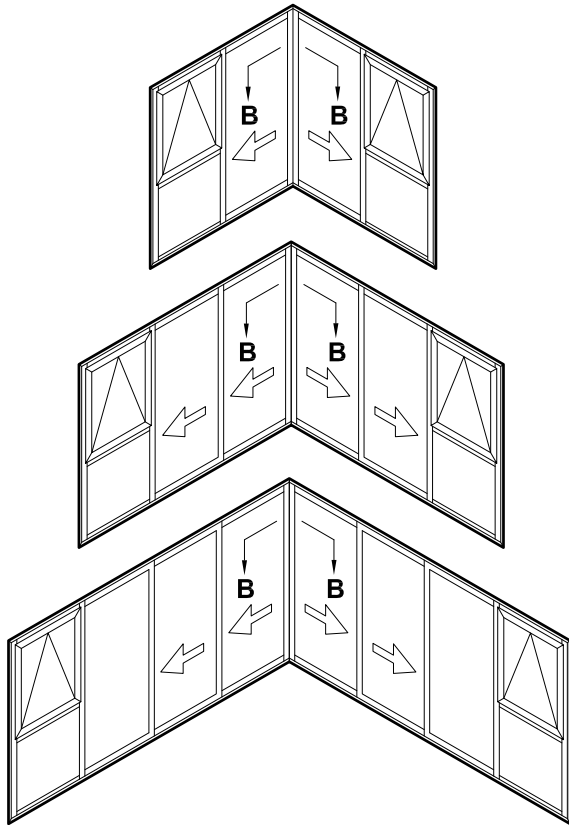
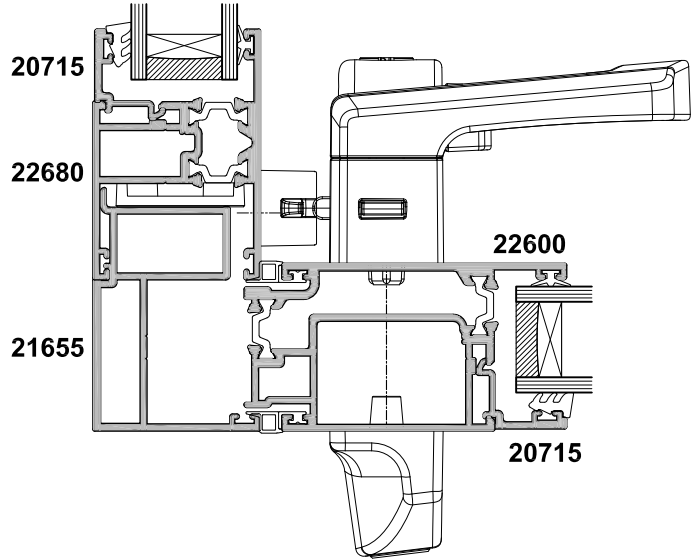


SECTION A-A

EXTERNAL CORNER



SECTION B-B

INTERNAL CORNER

