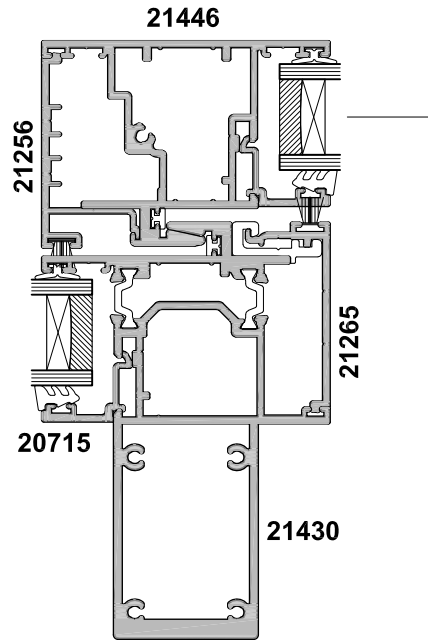
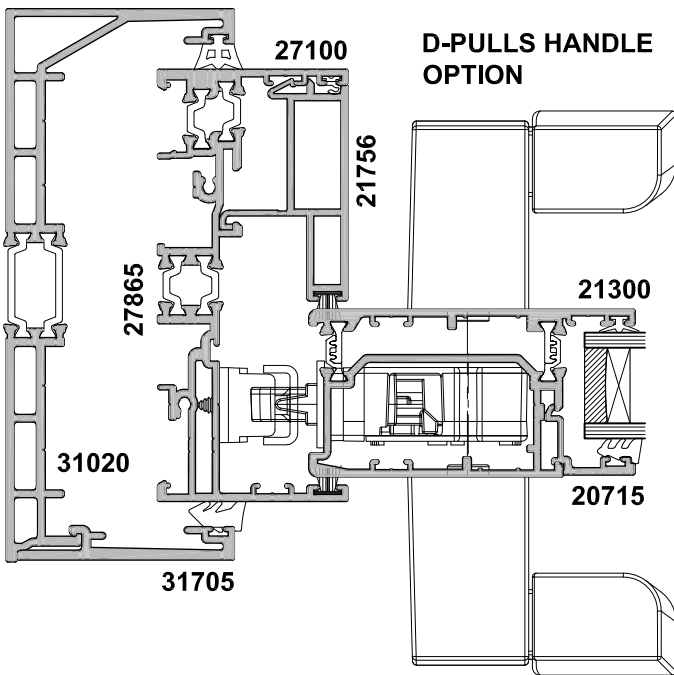
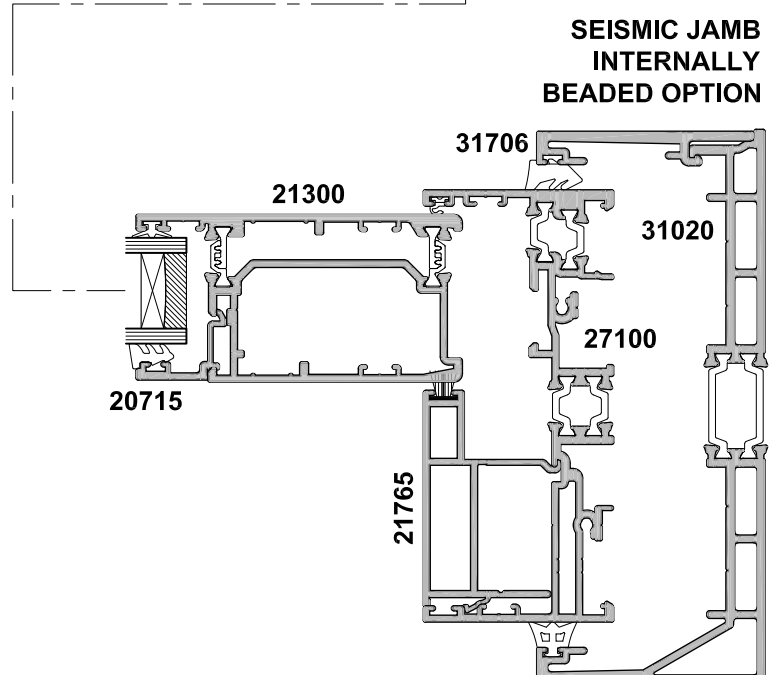


**SEISMIC JAMB
EXTERNALLY
BEADED OPTION**



SECTION A-A



**SEISMIC JAMB
INTERNALLY
BEADED OPTION**