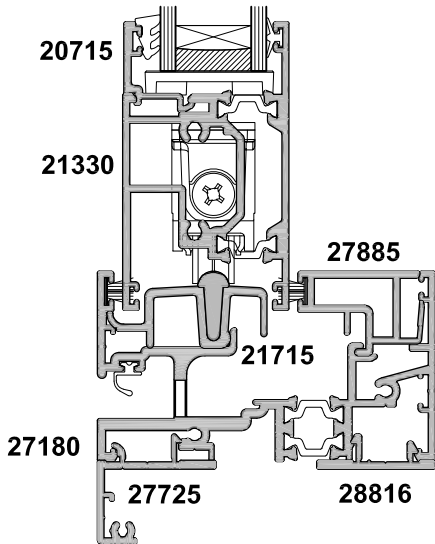


**SECTION A-A**



**SECTION B-B**

**SURFACE MOUNT  
LOCK OPTION**

