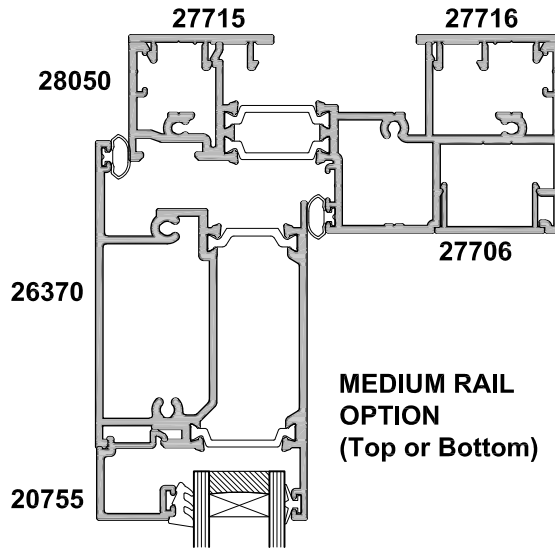
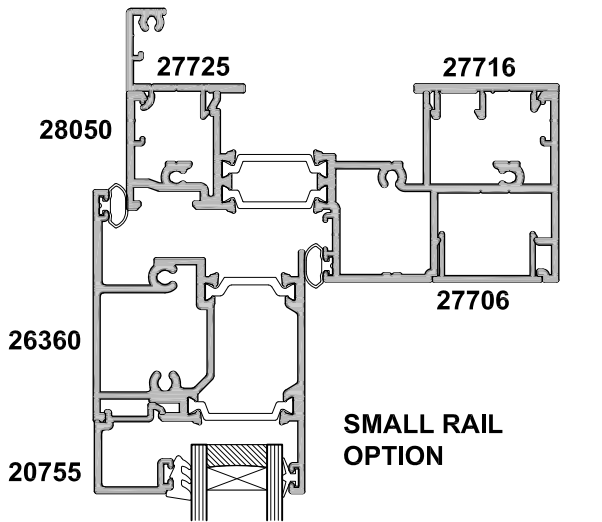


**FLANGE INFILL  
OPTION**

**FLAT INFILL OPTION**

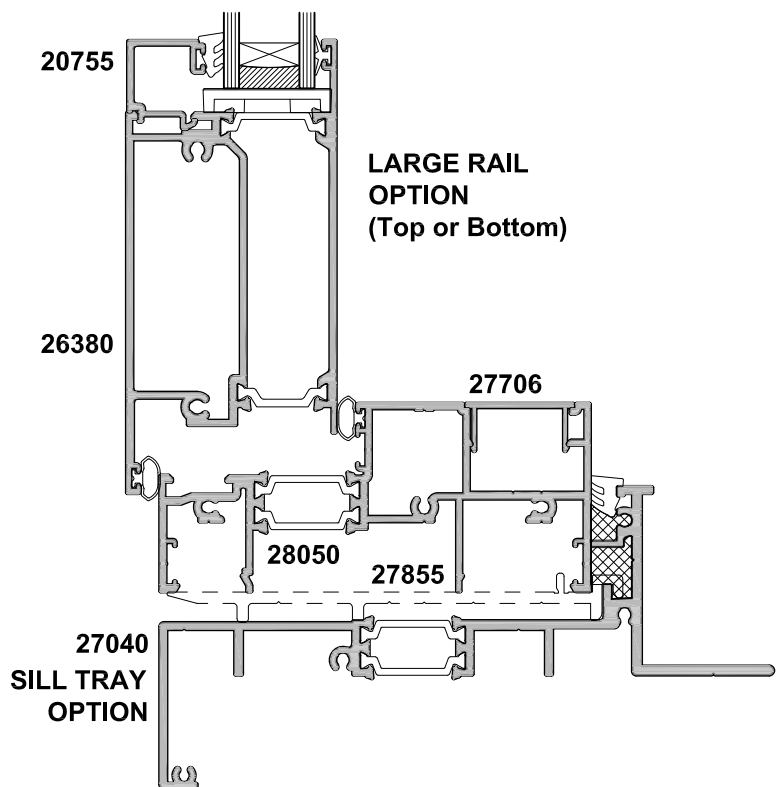
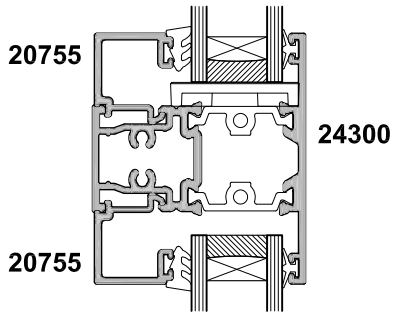


**SMALL RAIL  
OPTION**

**MEDIUM RAIL  
OPTION  
(Top or Bottom)**

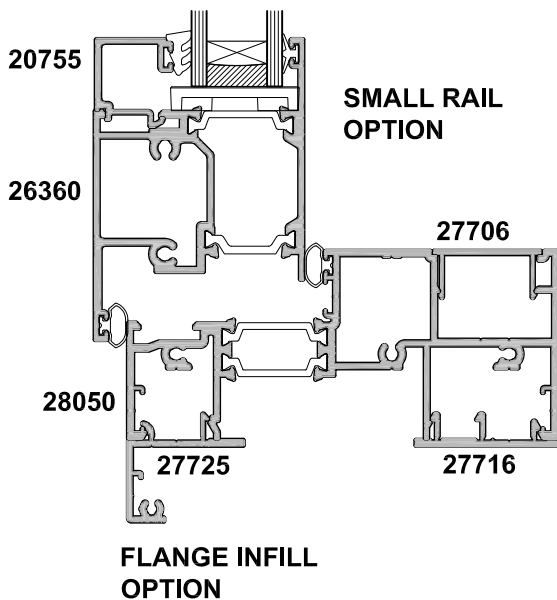
**SECTION A-A**

**SECTION B-B**



**SMALL RAIL  
OPTION**

**LARGE RAIL  
OPTION  
(Top or Bottom)**



**FLANGE INFILL  
OPTION**