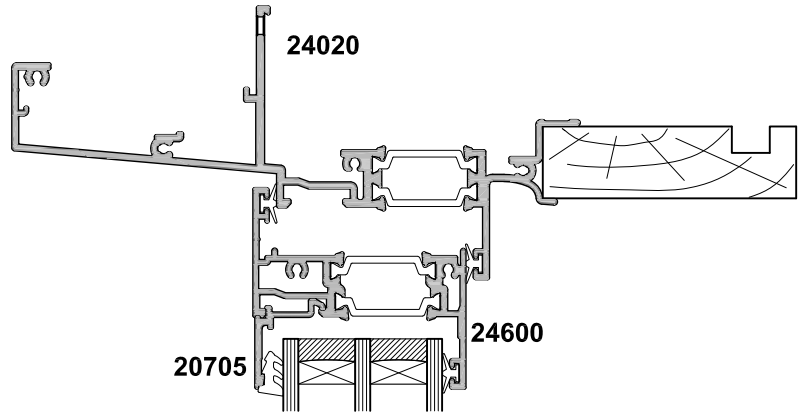
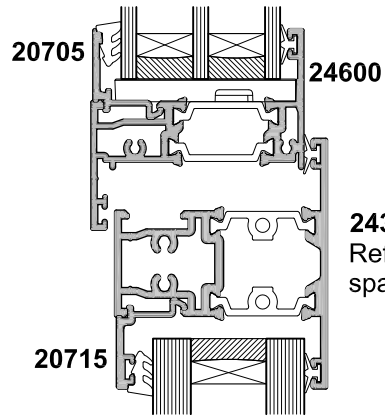


SECTION A-A

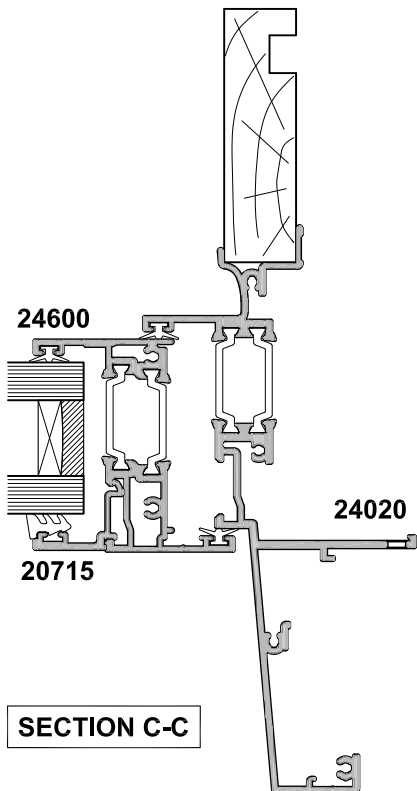


SECTION B-B

**TRIPLE GLAZE
OPTION**



24300 Transom
Refer to tables for
span requirements



SECTION C-C

