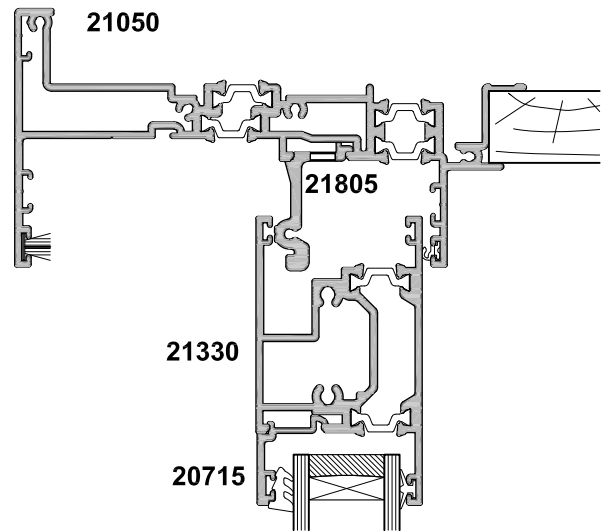
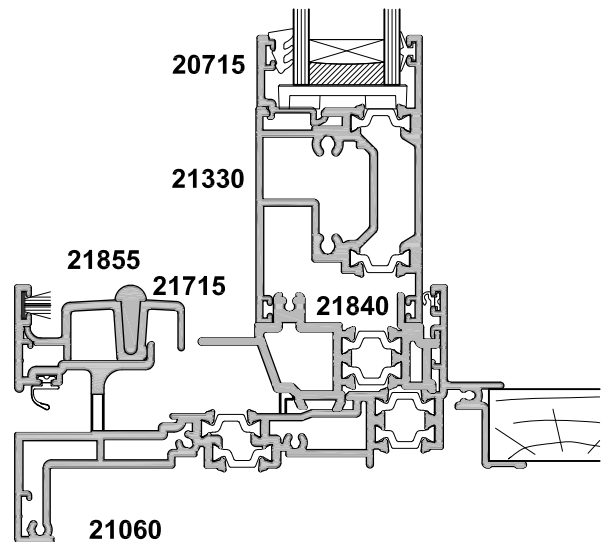
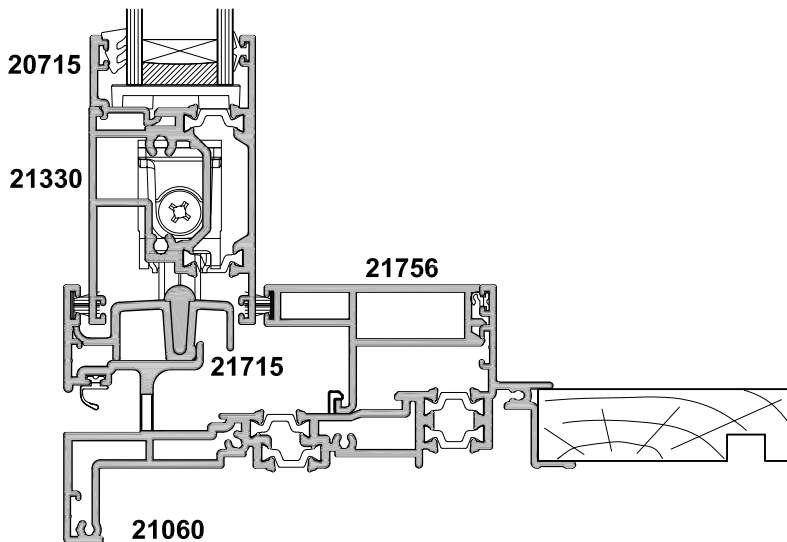
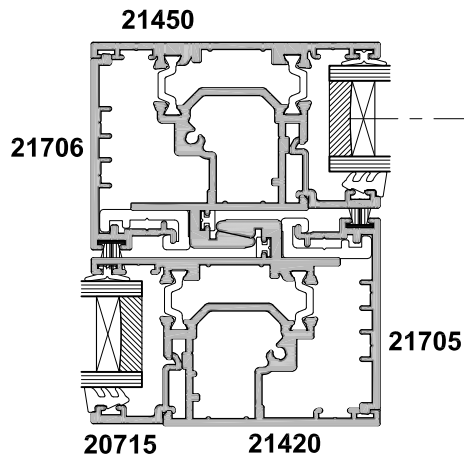
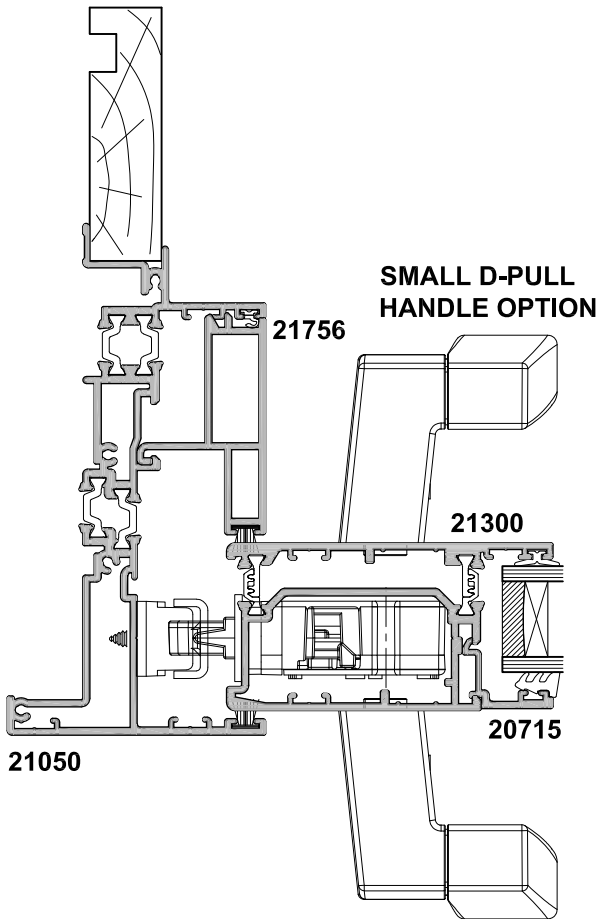
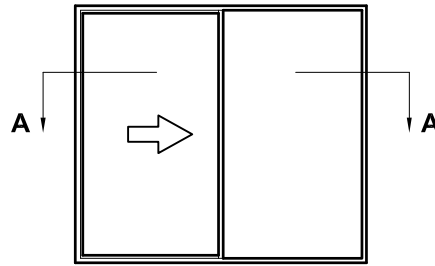


SECTION A-A

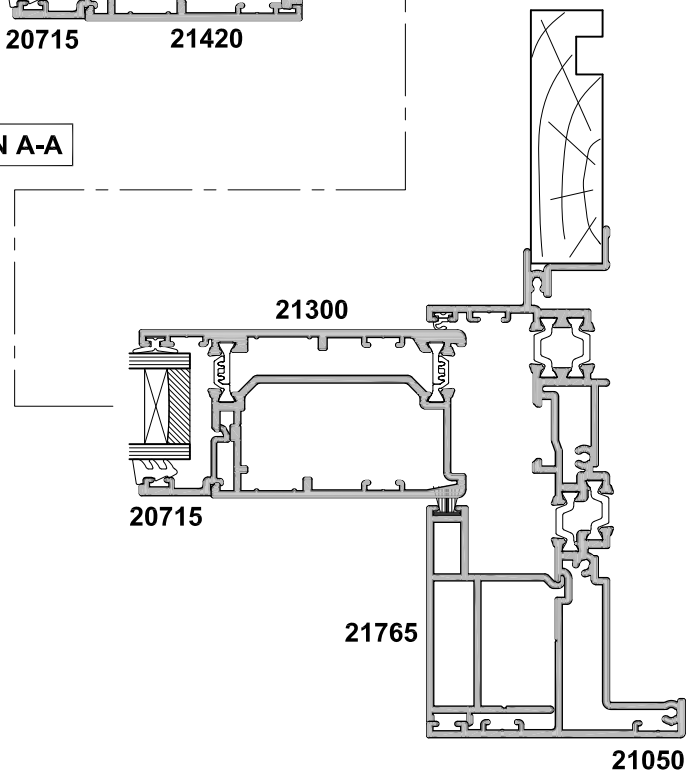
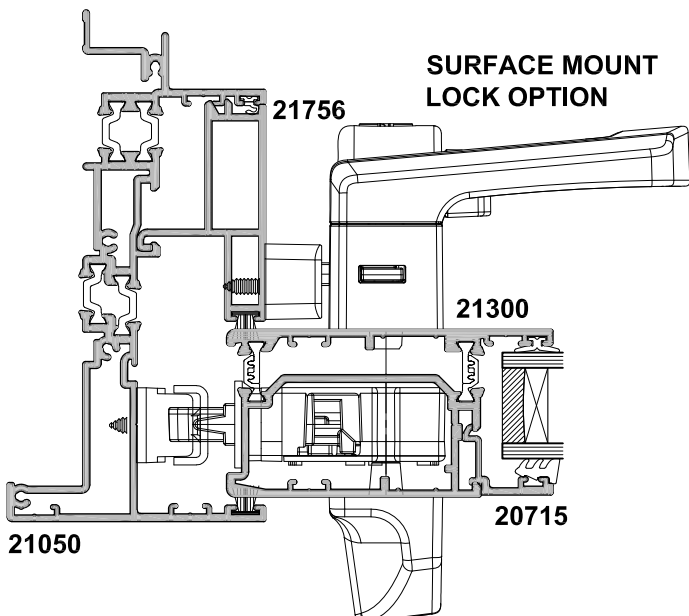


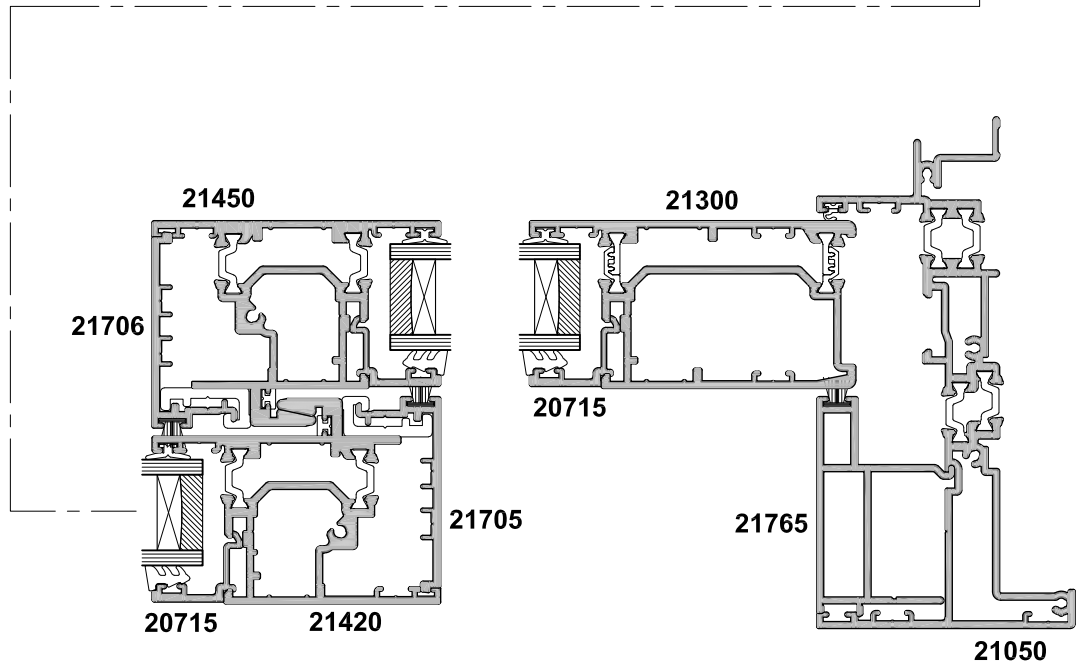
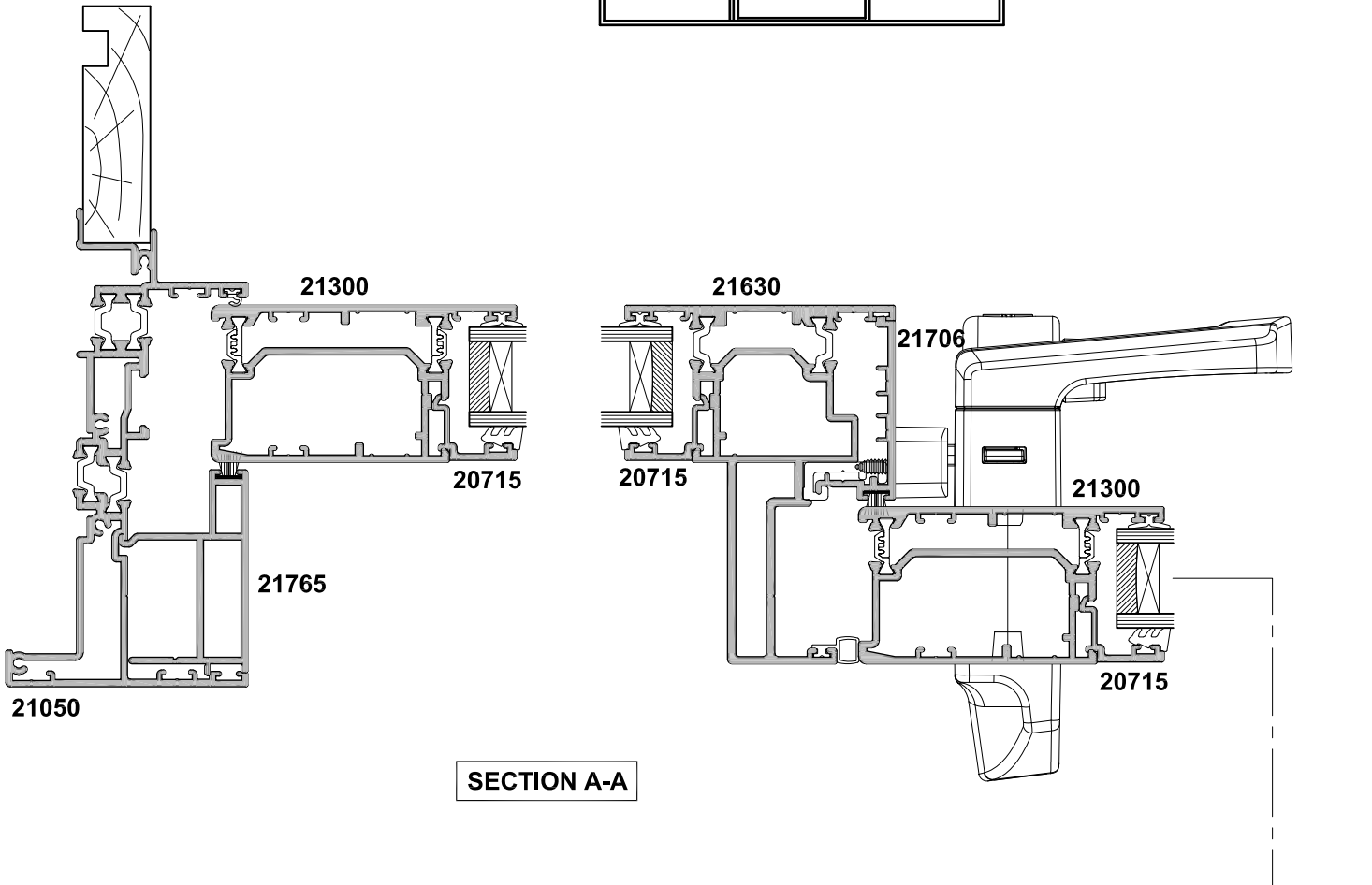
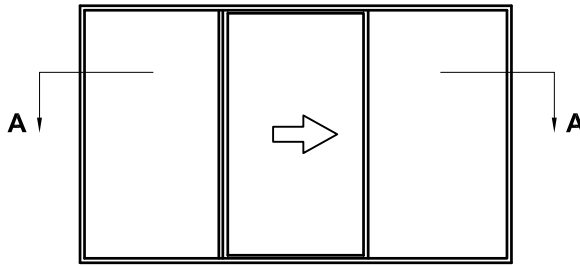
SECTION B-B

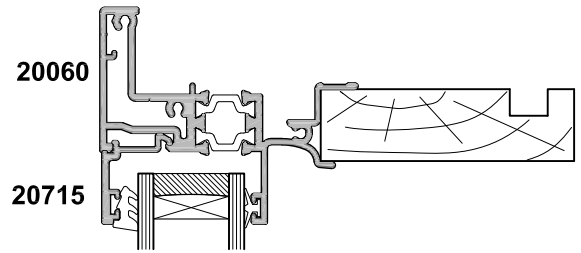
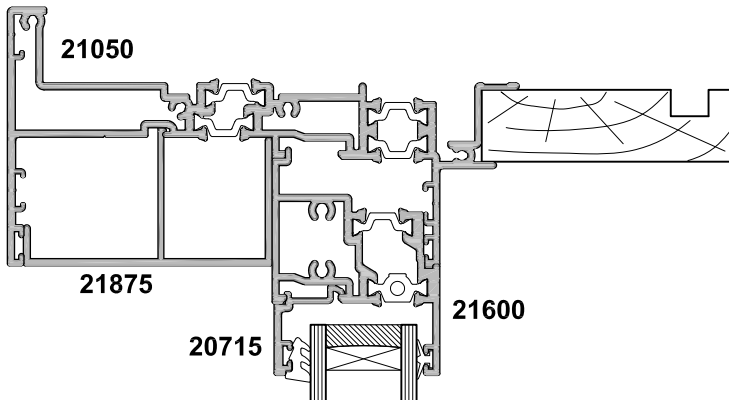
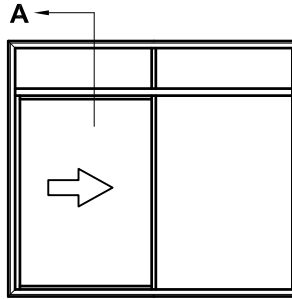




**SECTION A-A**



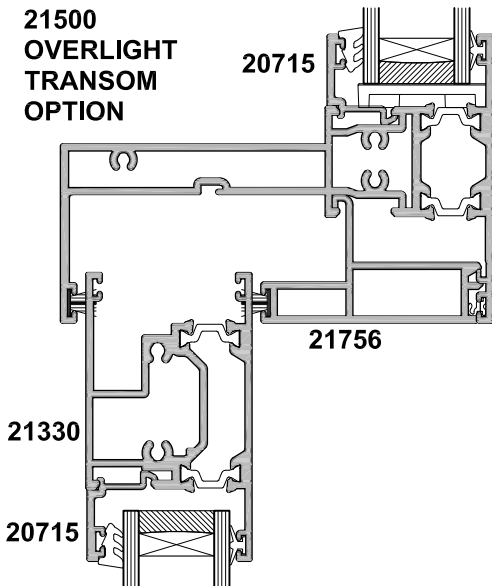




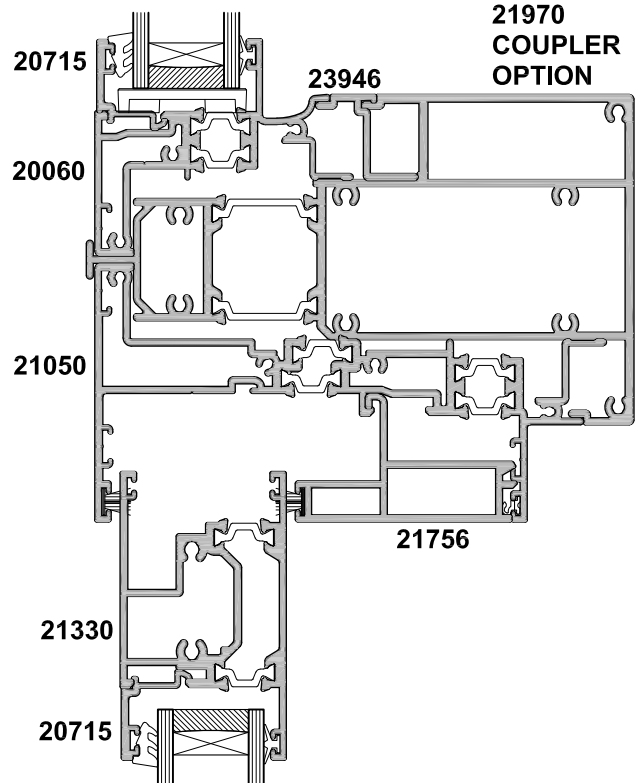
SECTION A-A

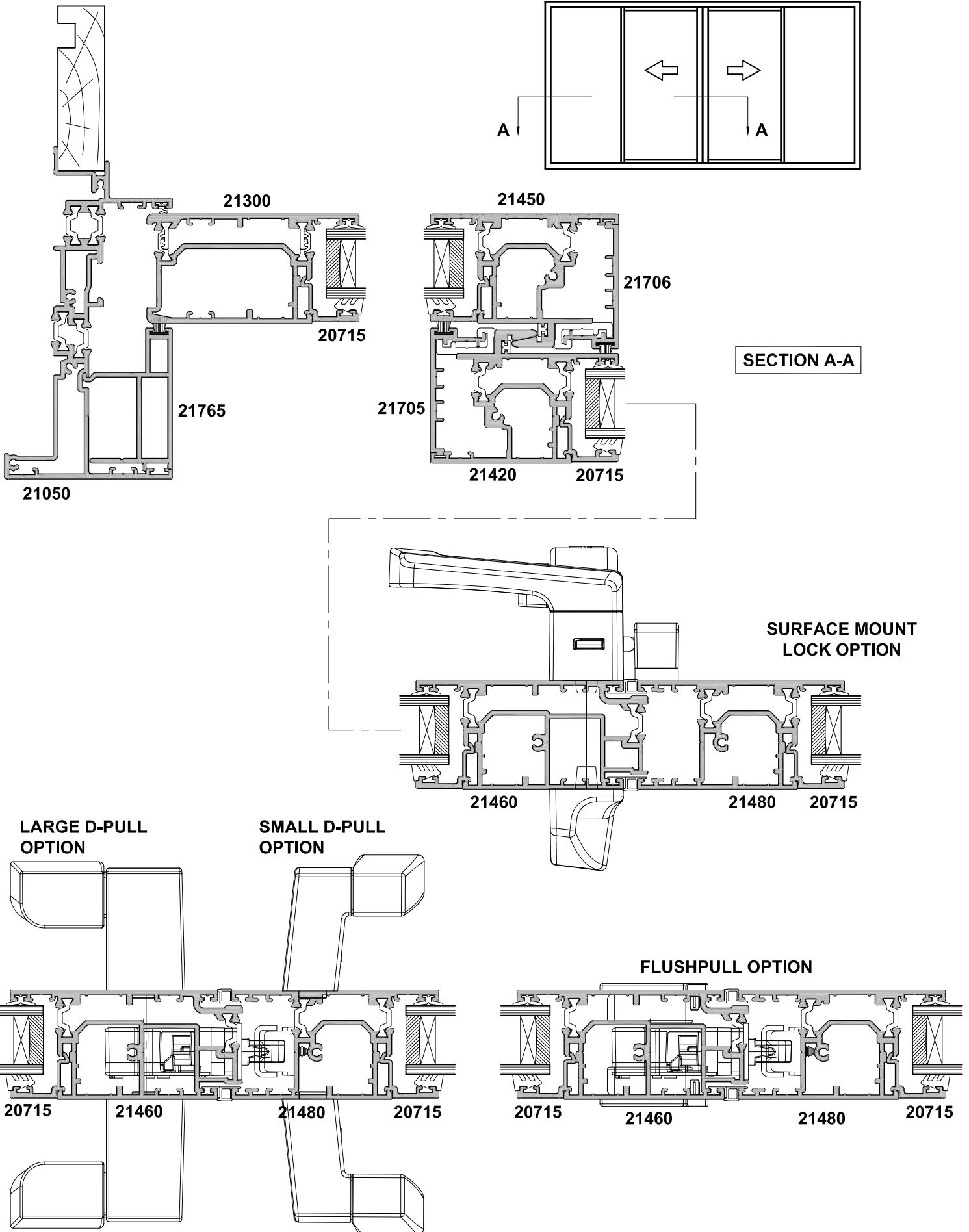
SECTION A-A

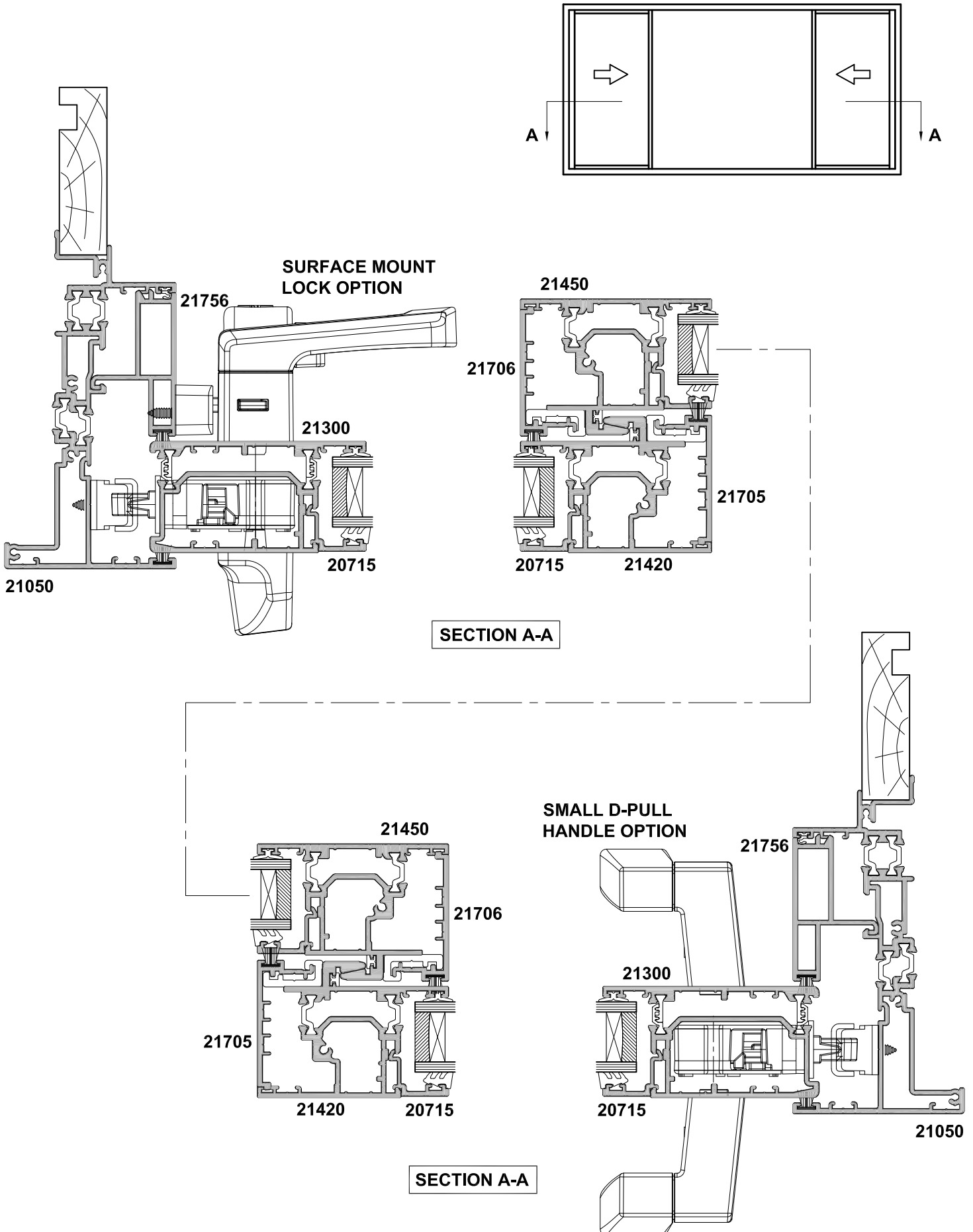
**21500  
OVERLIGHT  
TRANSOM  
OPTION**

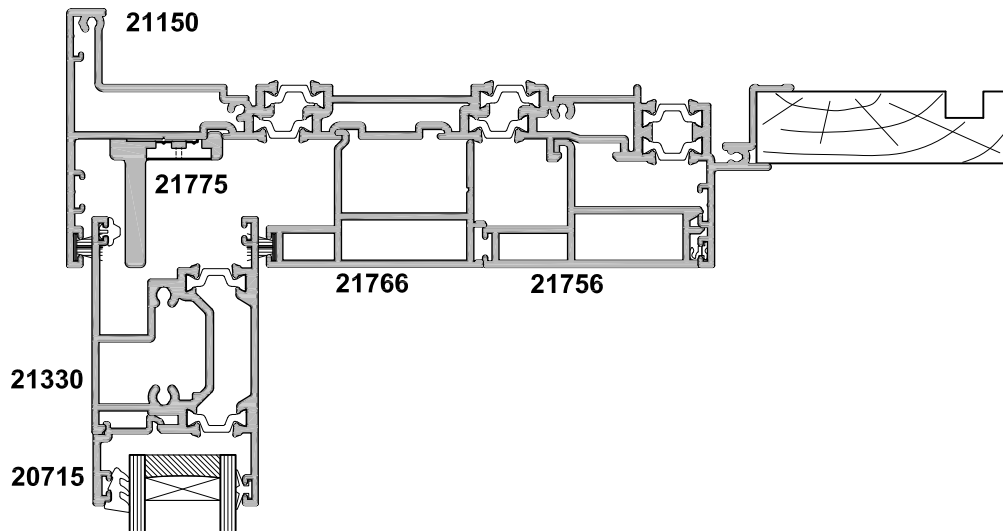
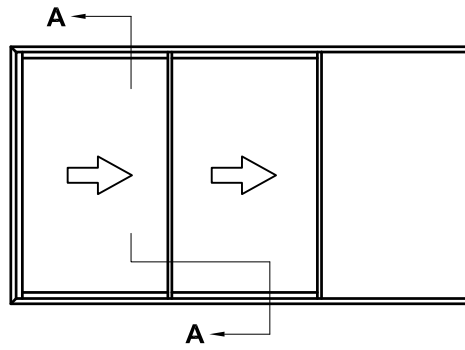


**21970  
COUPLER  
OPTION**

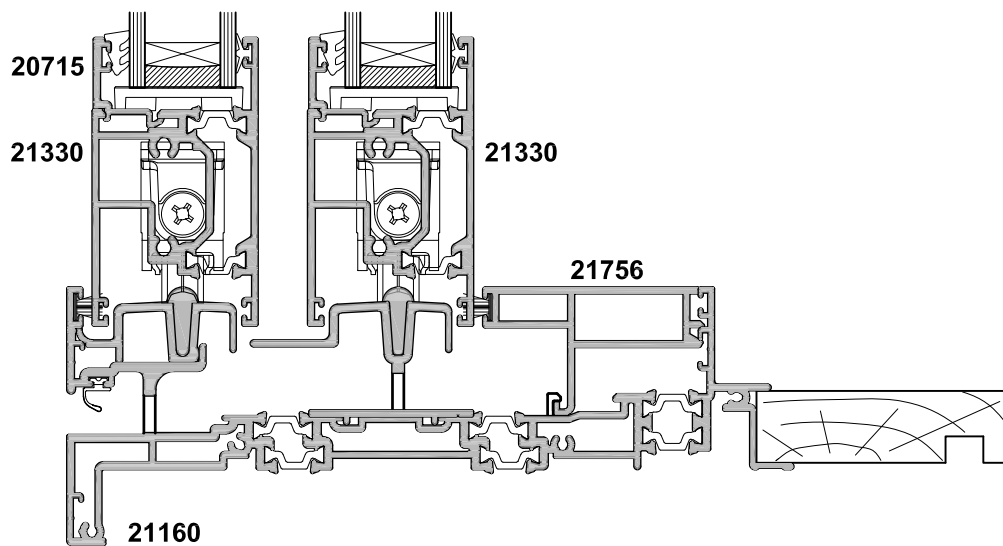


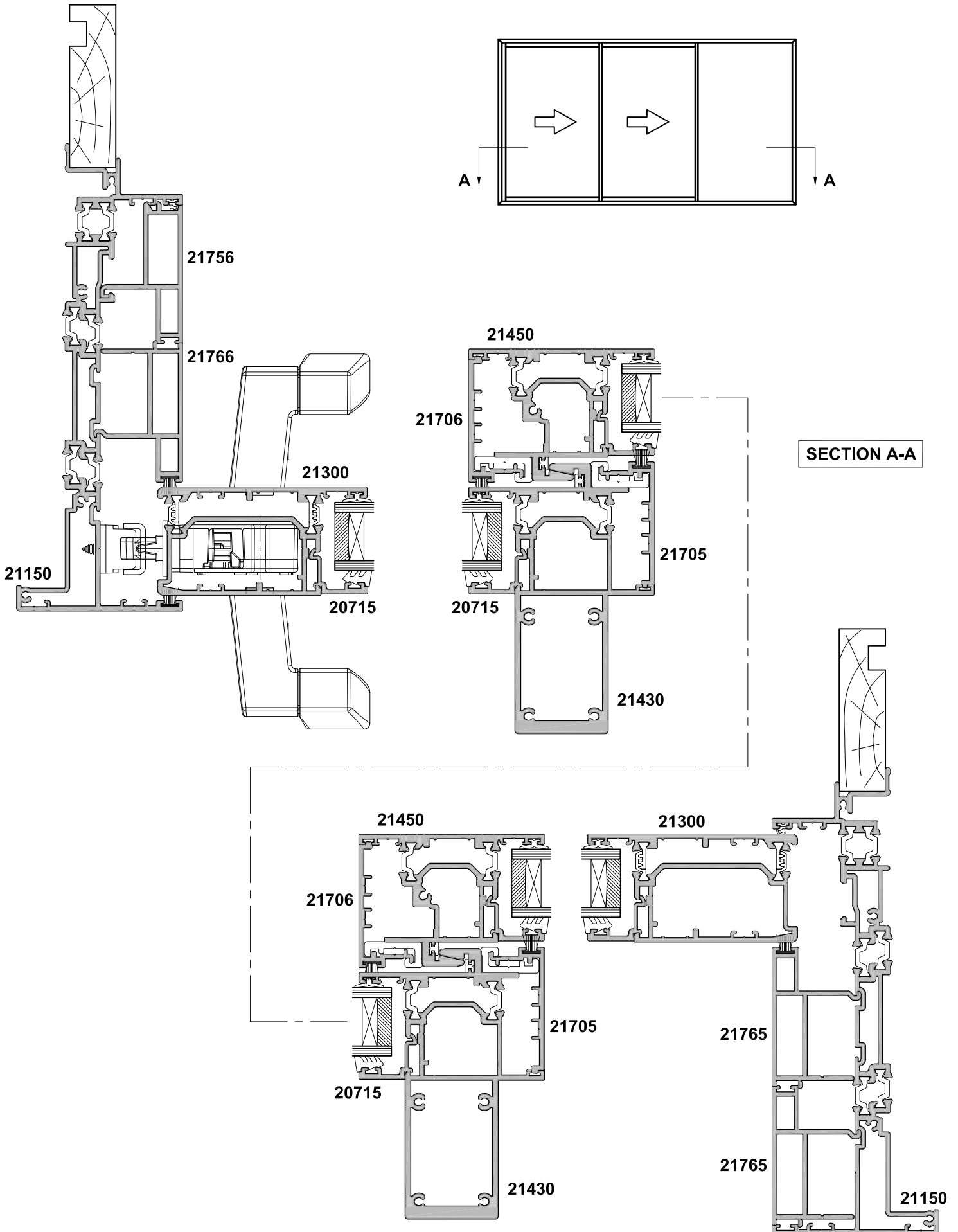




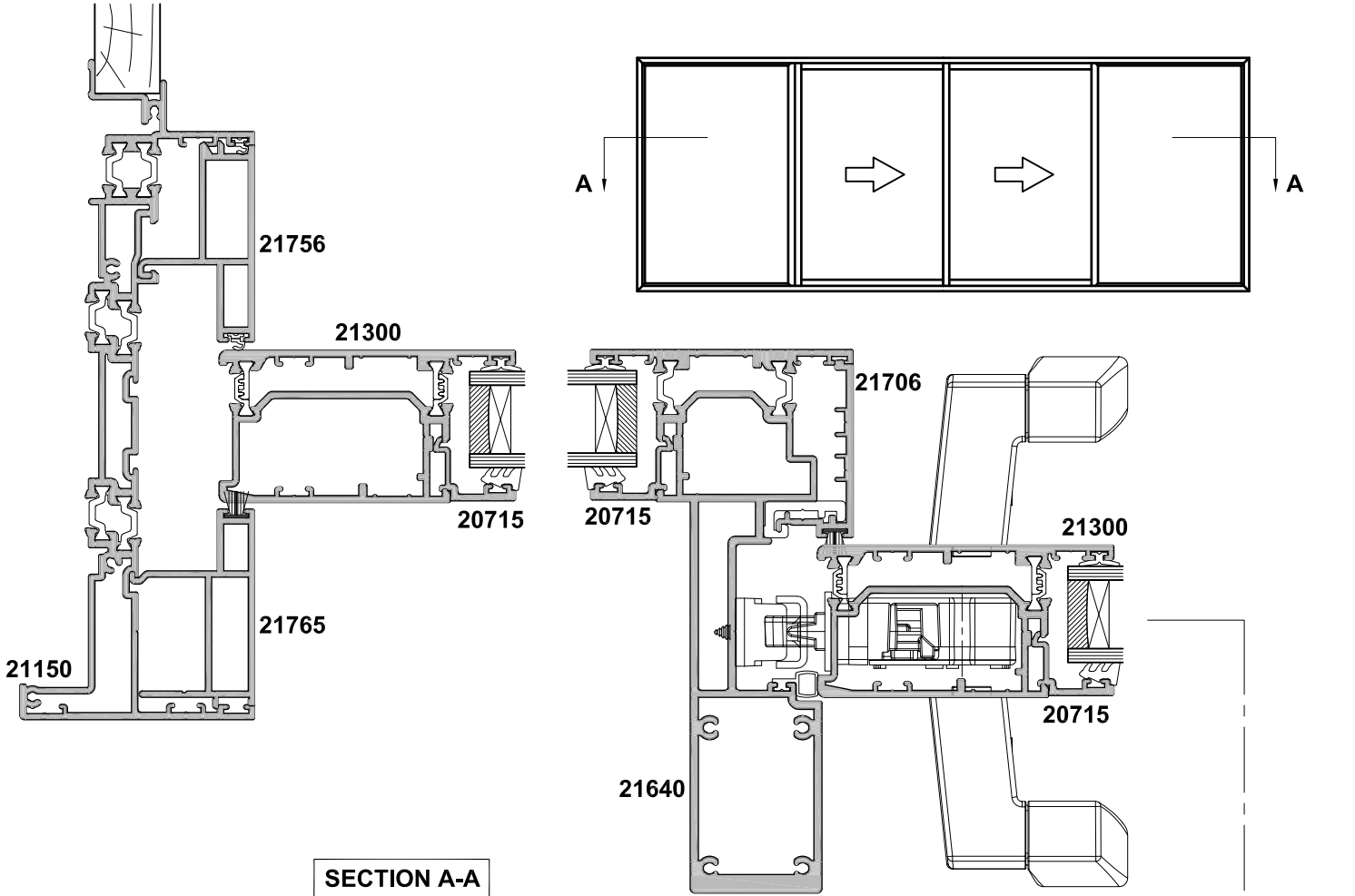


**SECTION A-A**

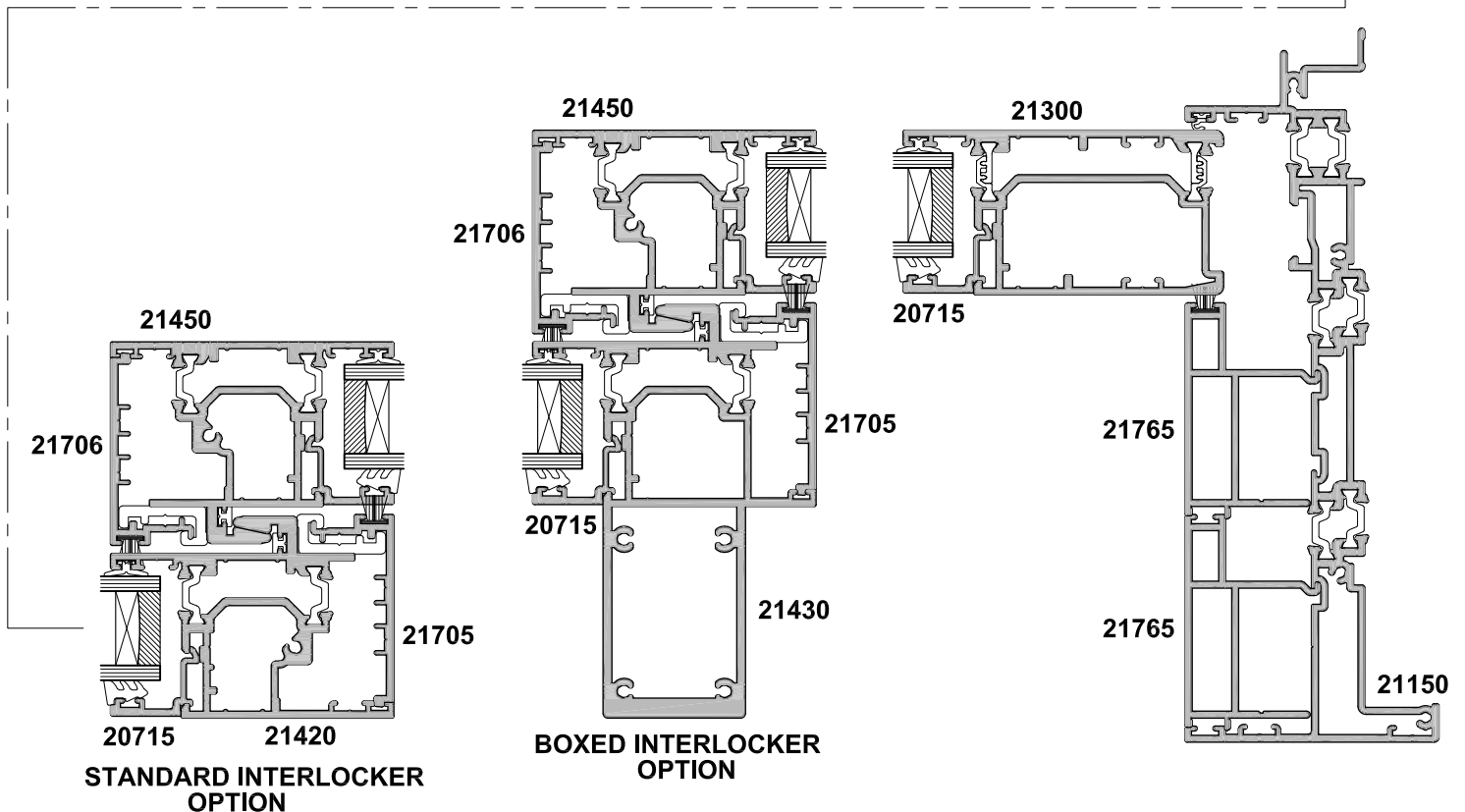






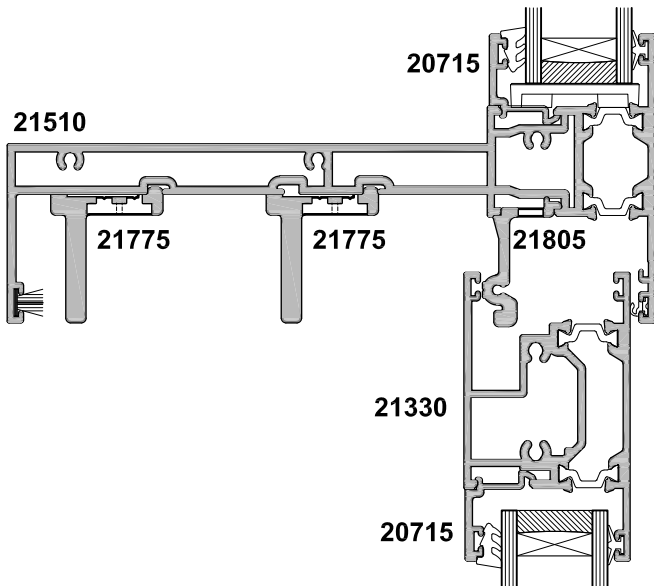
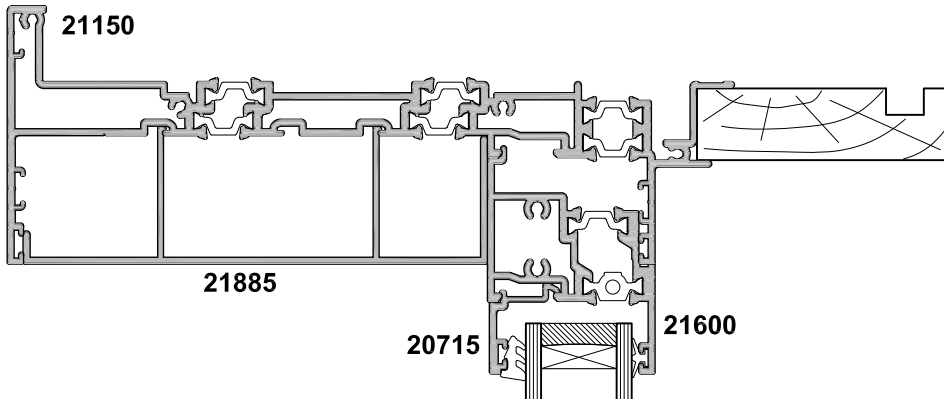
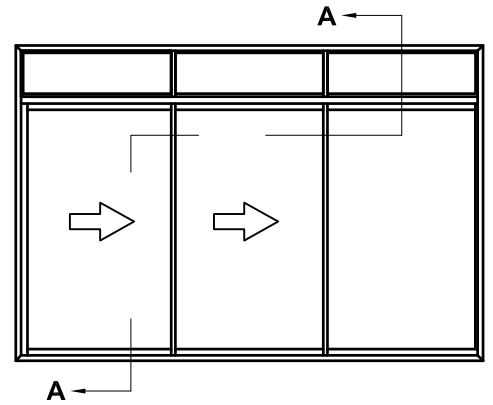


**SECTION A-A**

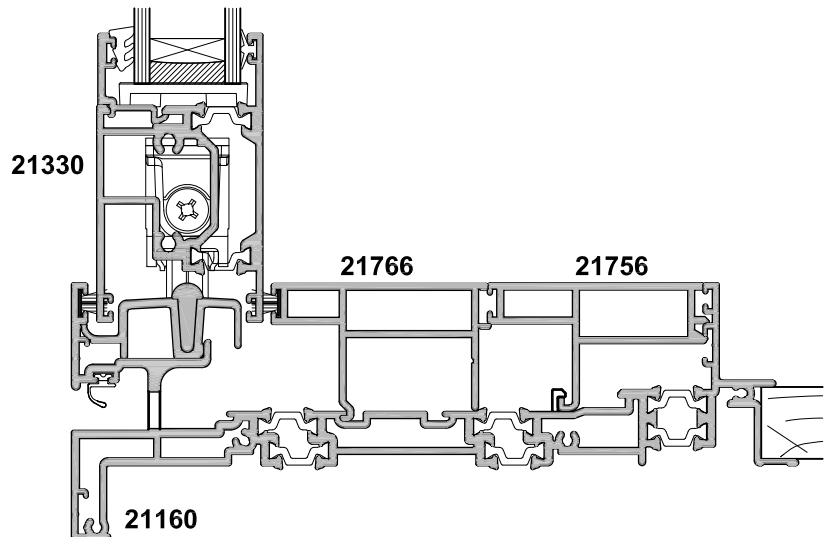


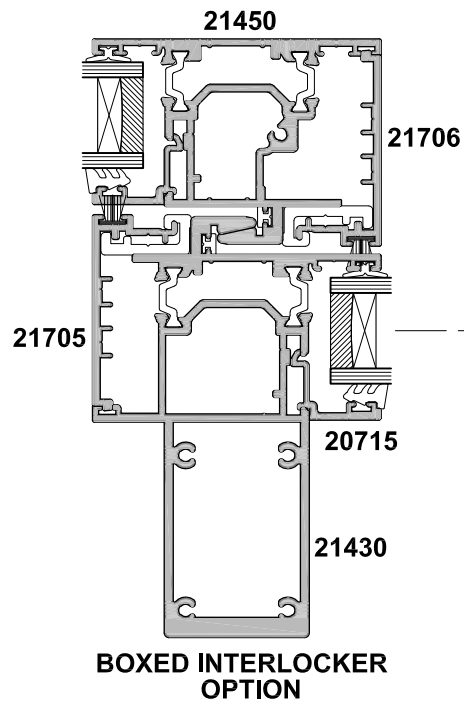
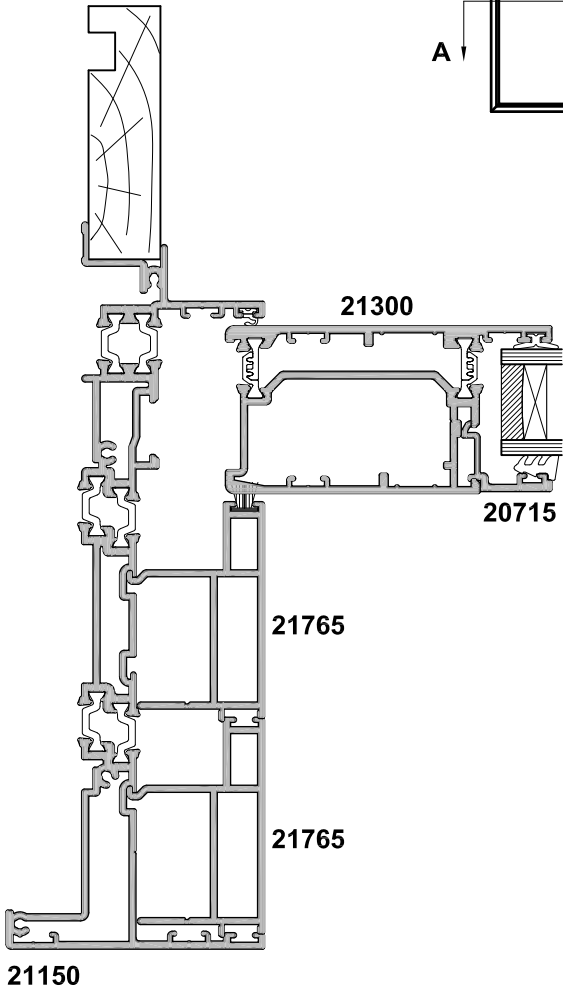
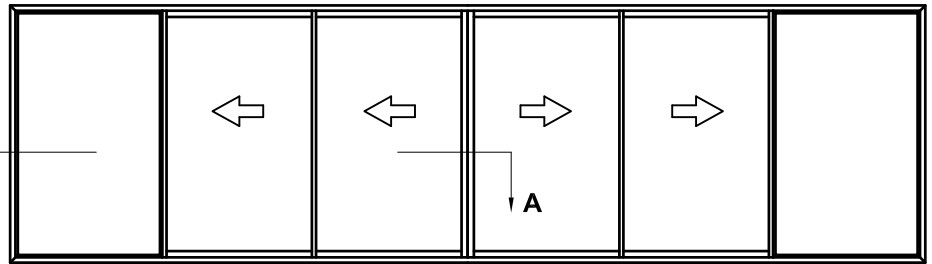
**STANDARD INTERLOCKER  
OPTION**

**BOXED INTERLOCKER  
OPTION**

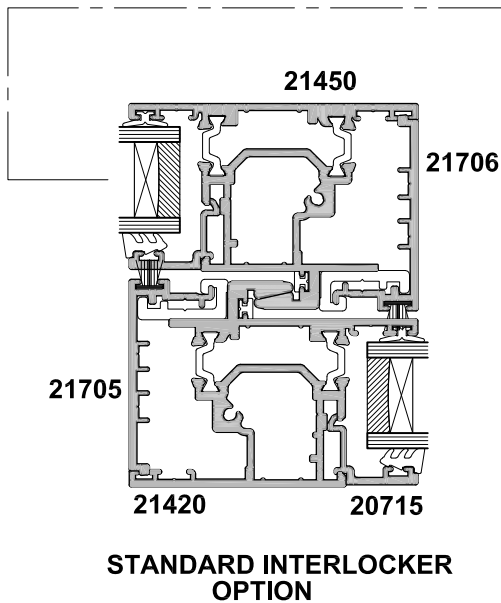


SECTION A-A

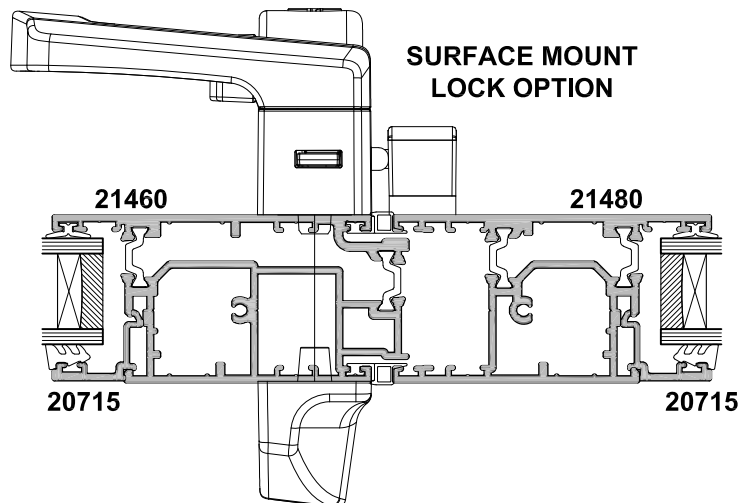




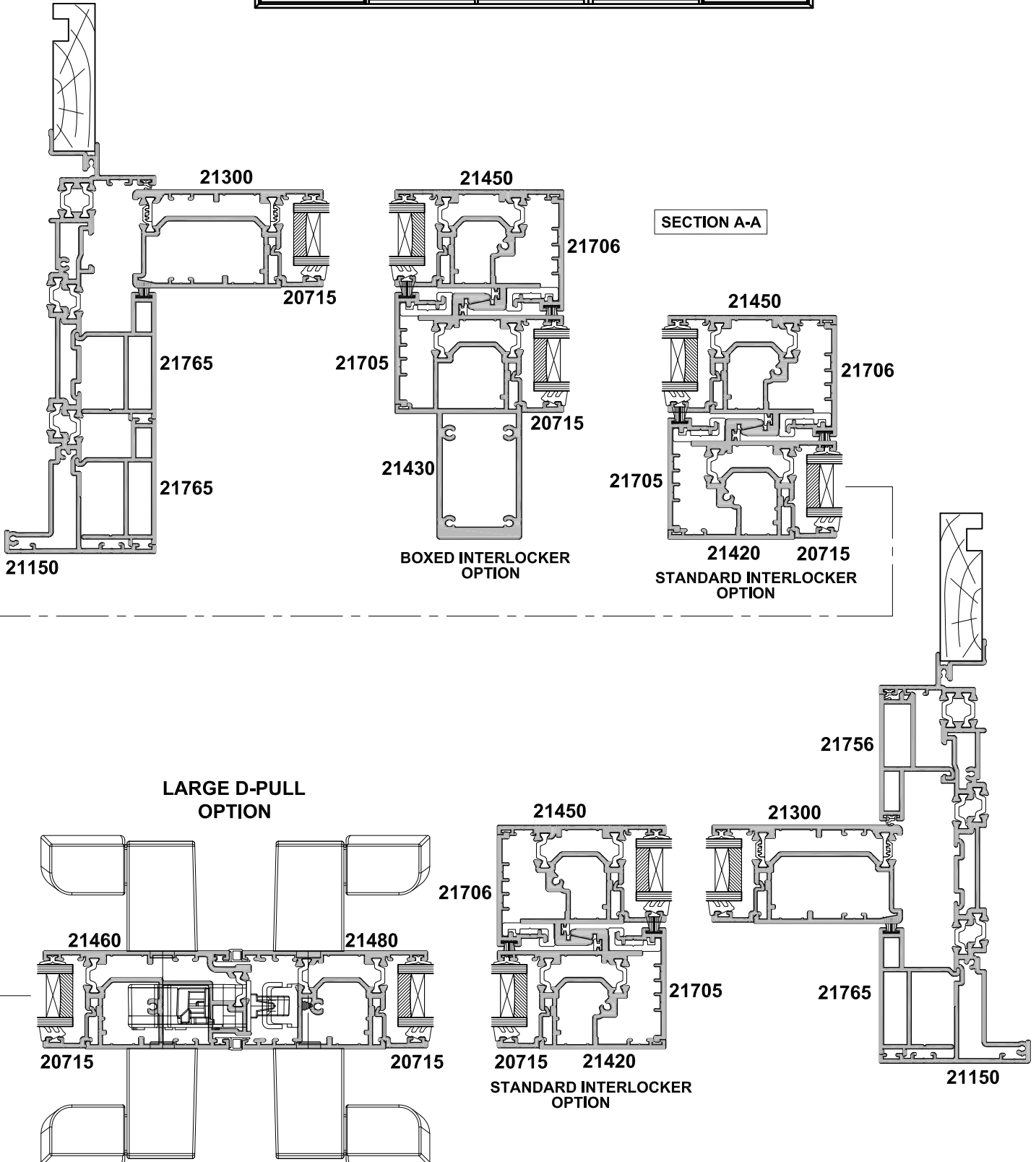
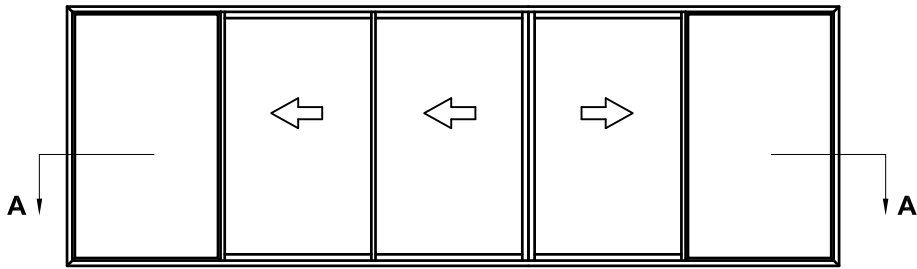
SECTION A-A

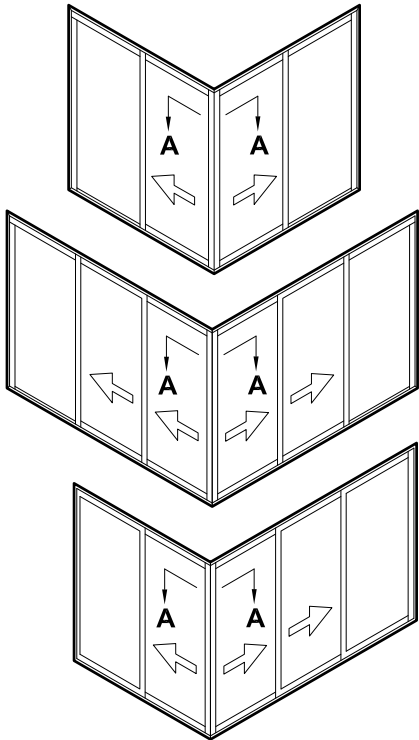


STANDARD INTERLOCKER  
OPTION



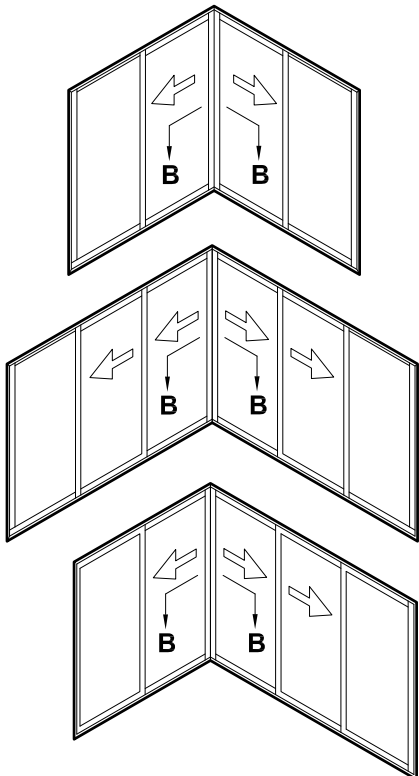
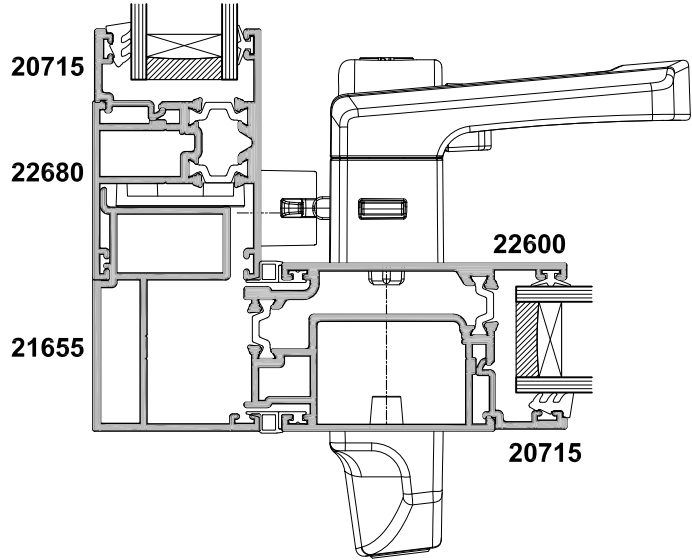
SURFACE MOUNT  
LOCK OPTION





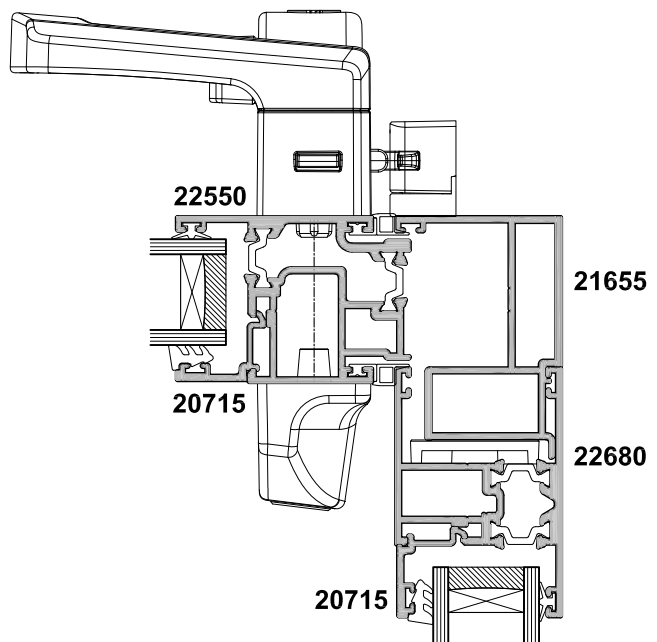
**SECTION A-A**

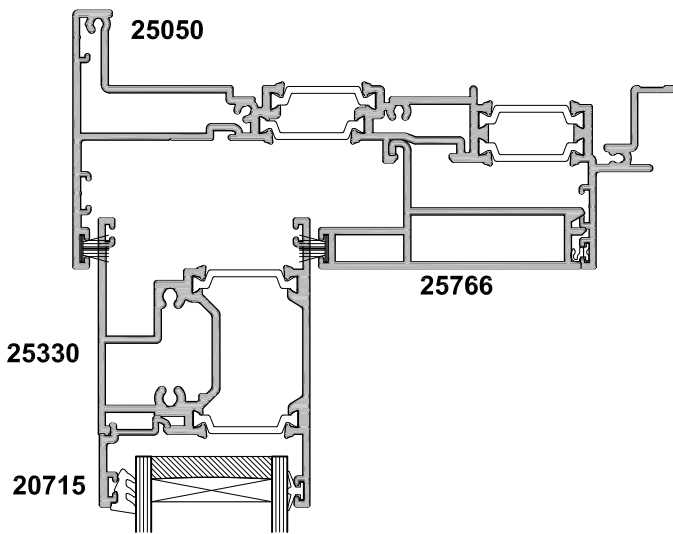
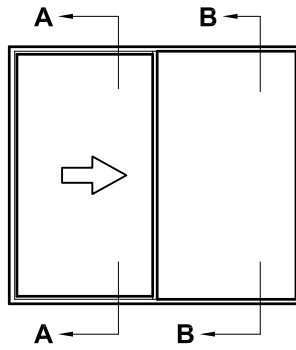
**EXTERNAL CORNER**



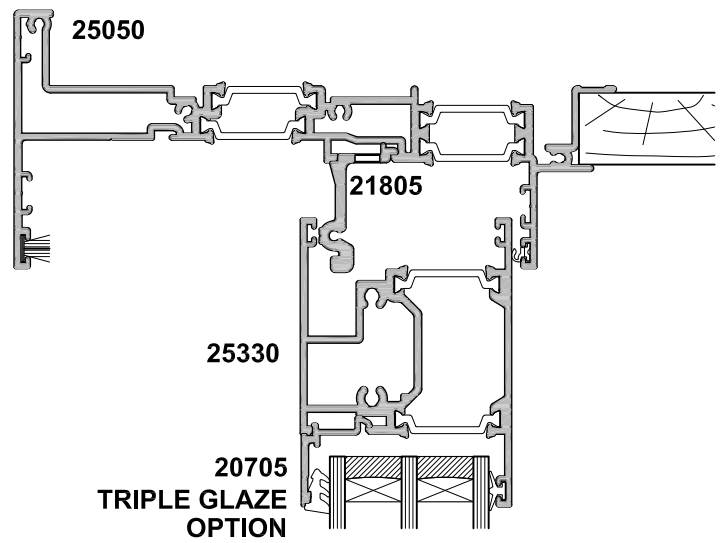
**SECTION B-B**

**INTERNAL CORNER**

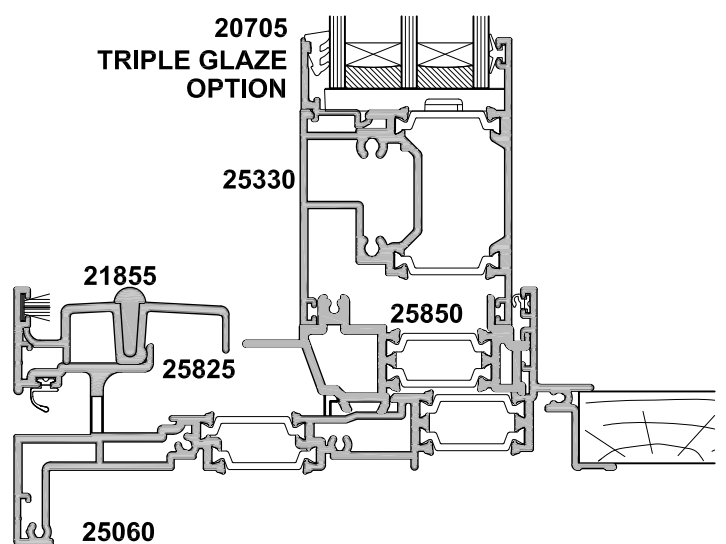
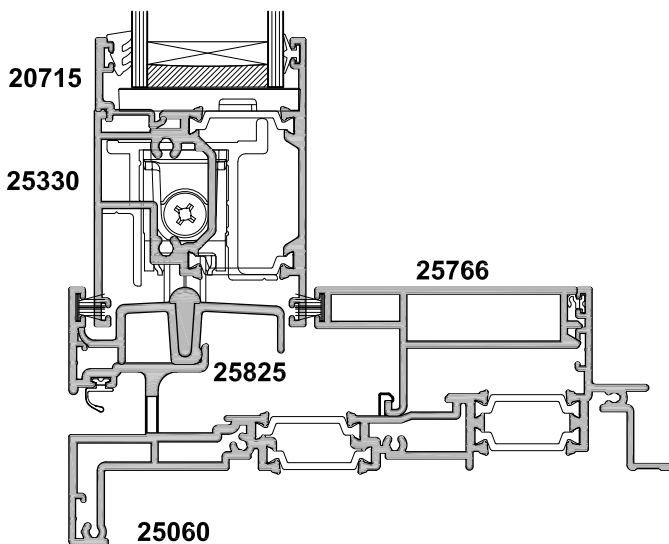


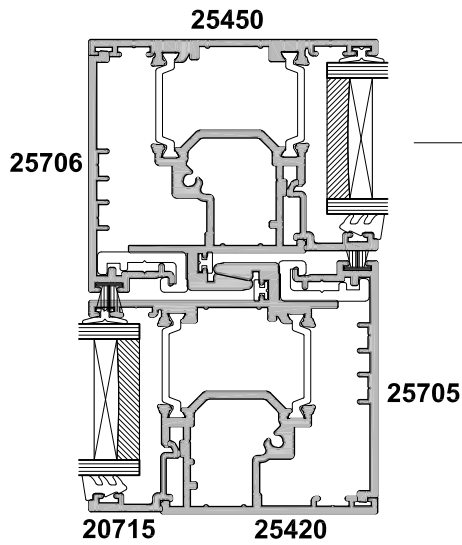
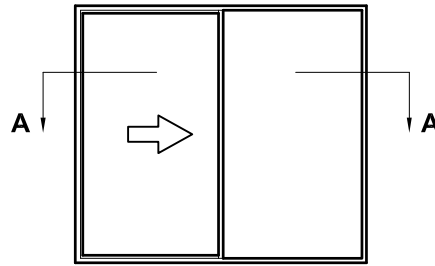
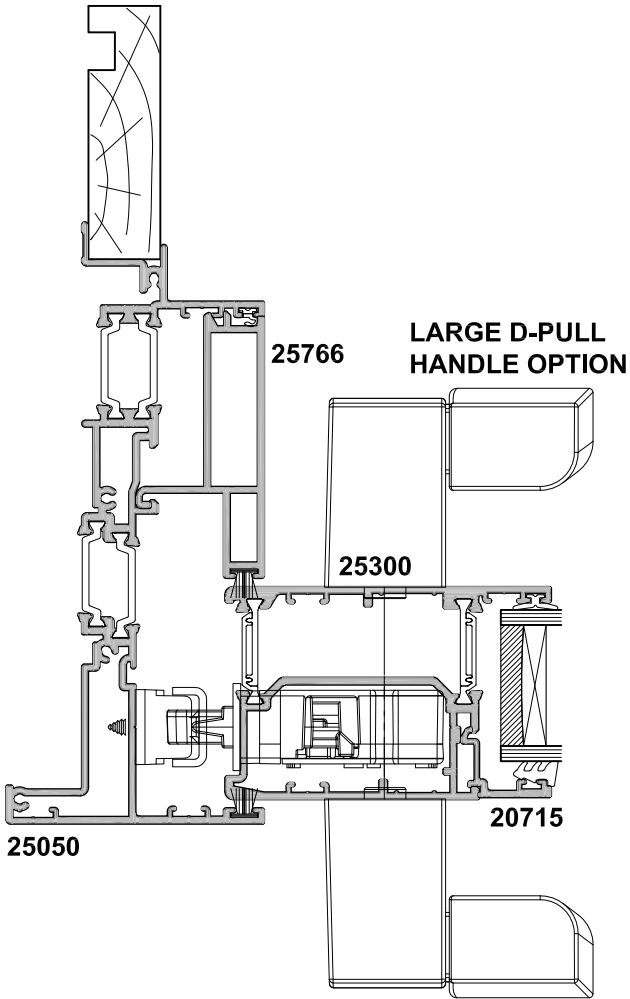


SECTION A-A

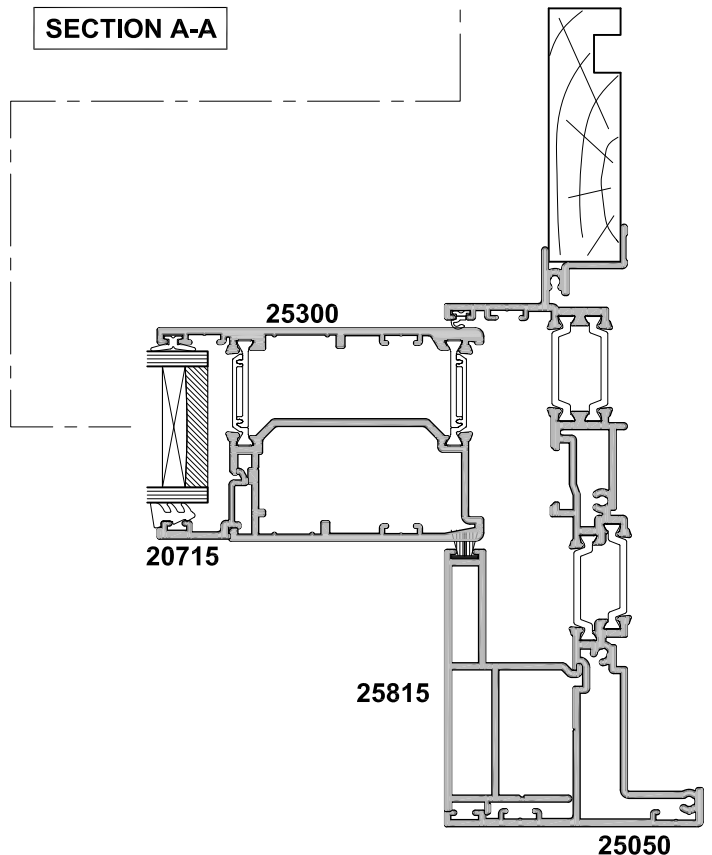
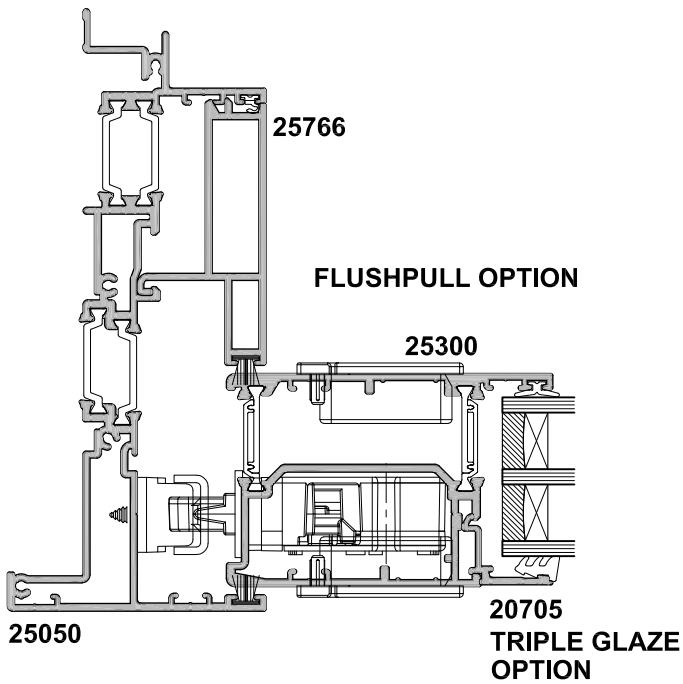


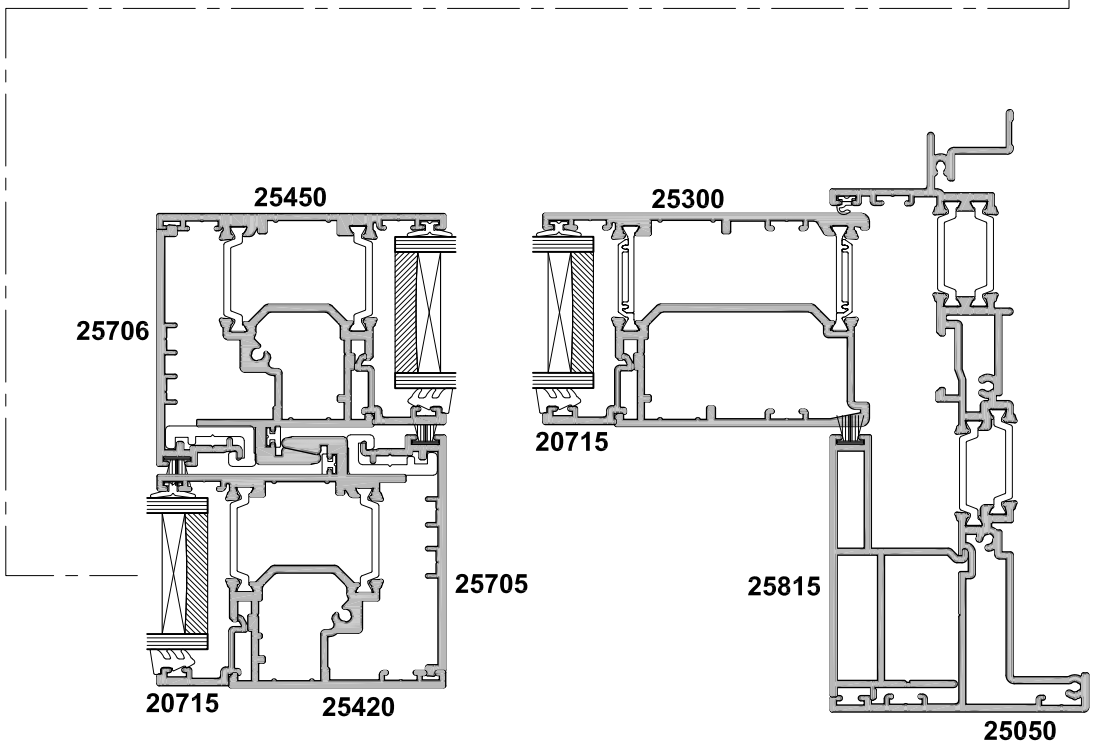
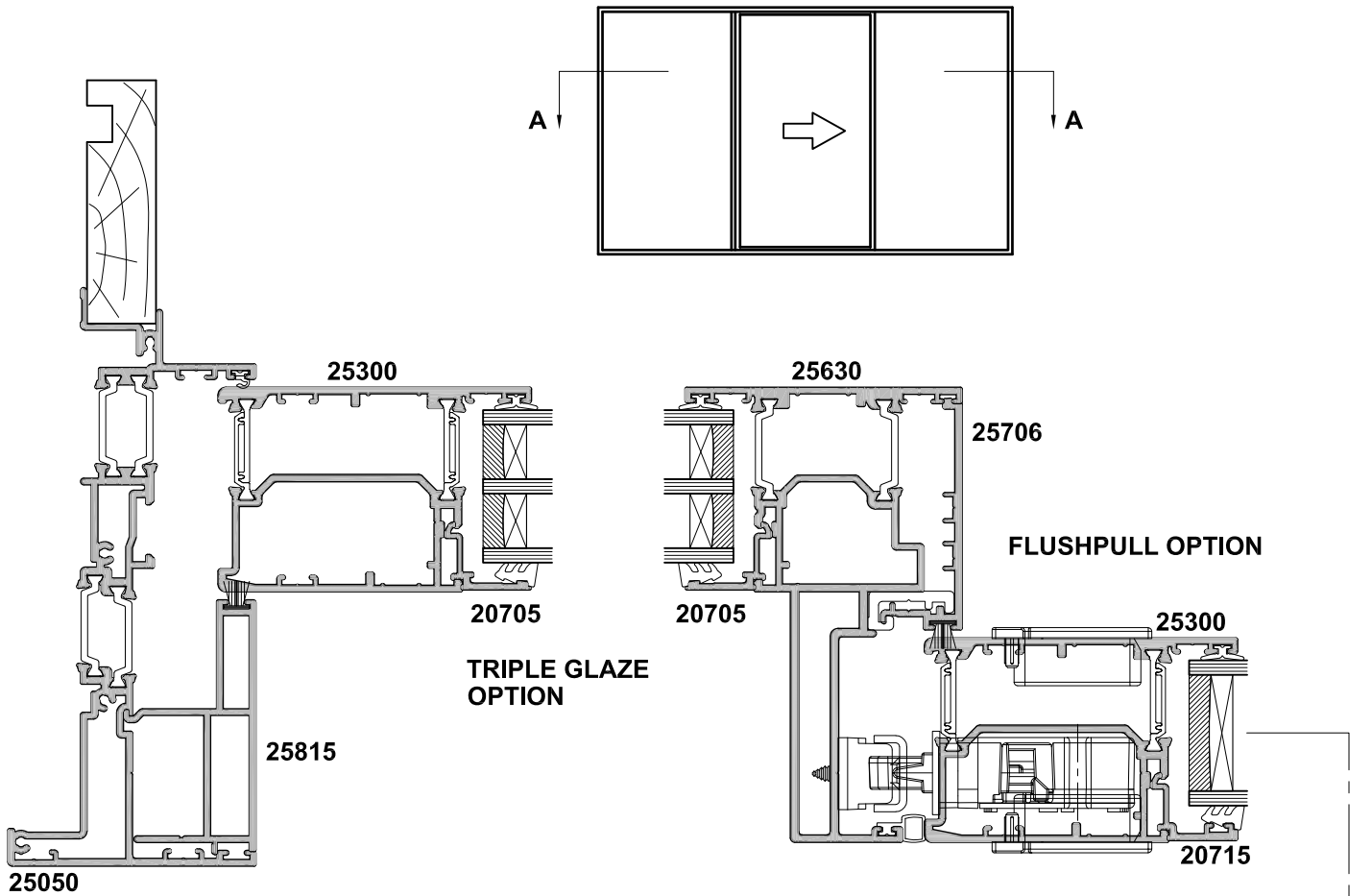
SECTION B-B



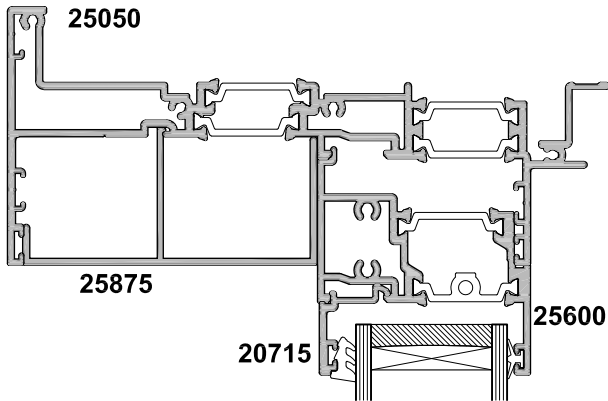
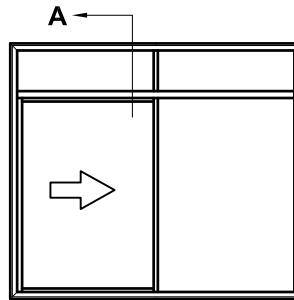


**SECTION A-A**

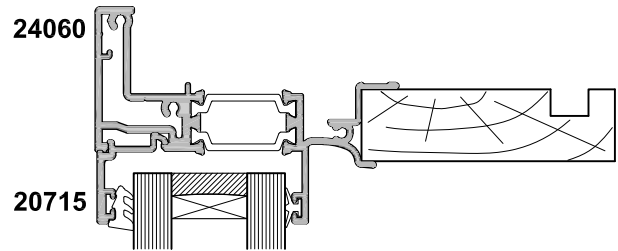




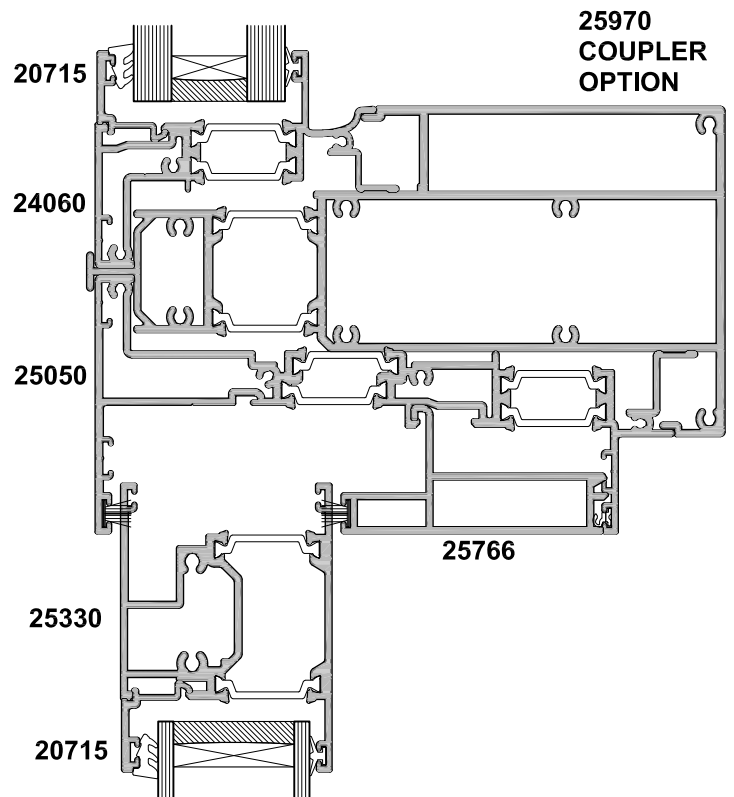
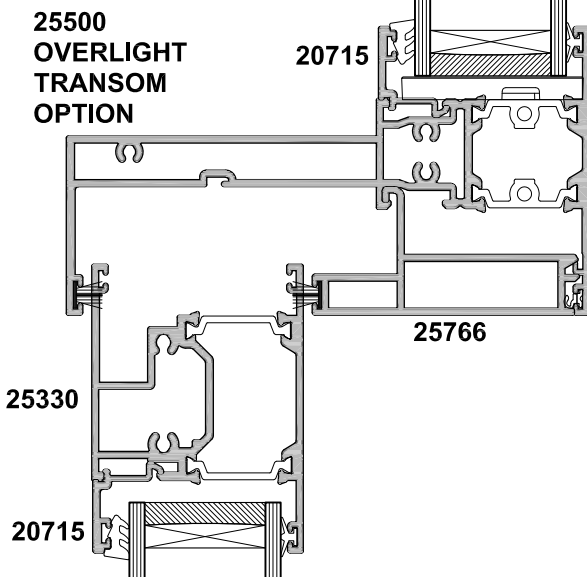


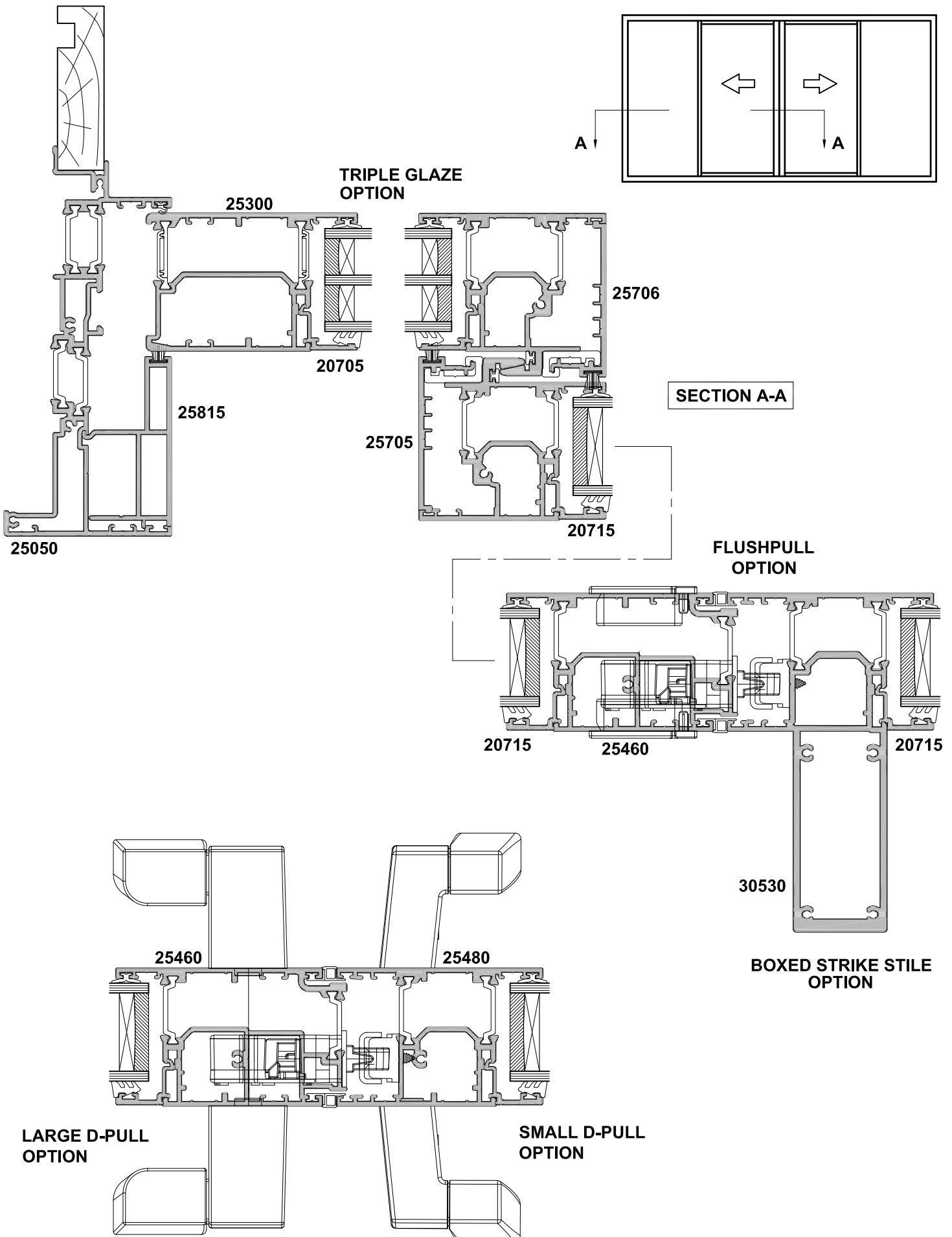


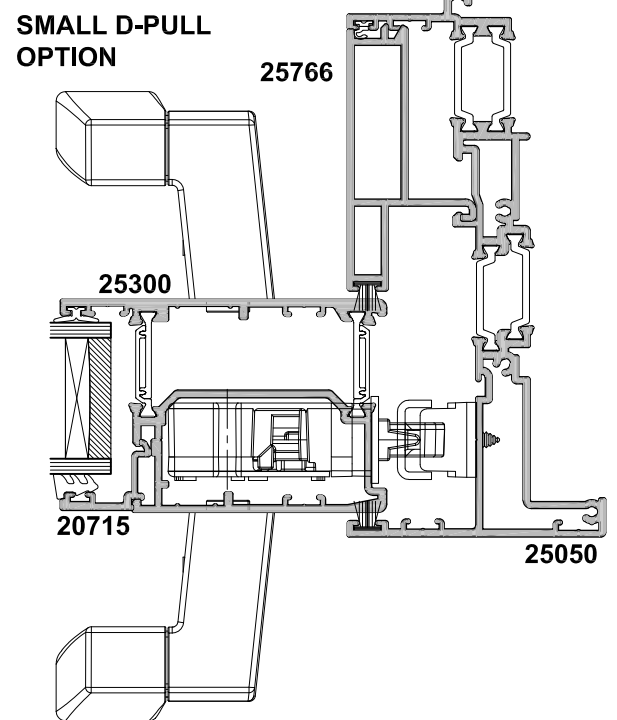
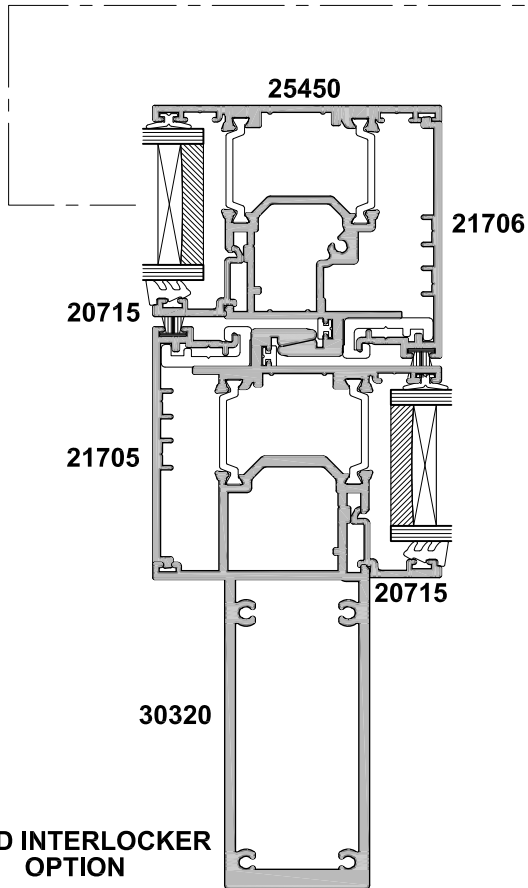
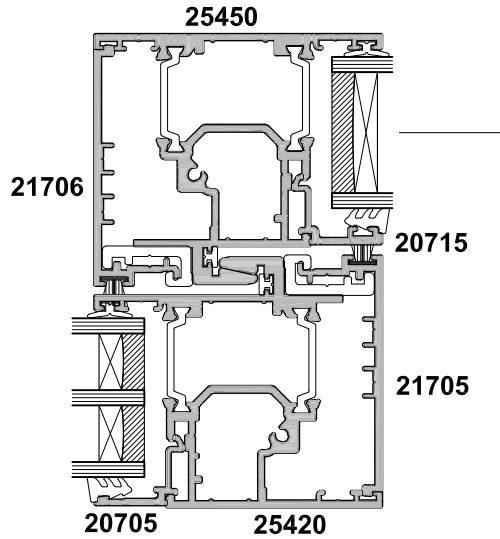
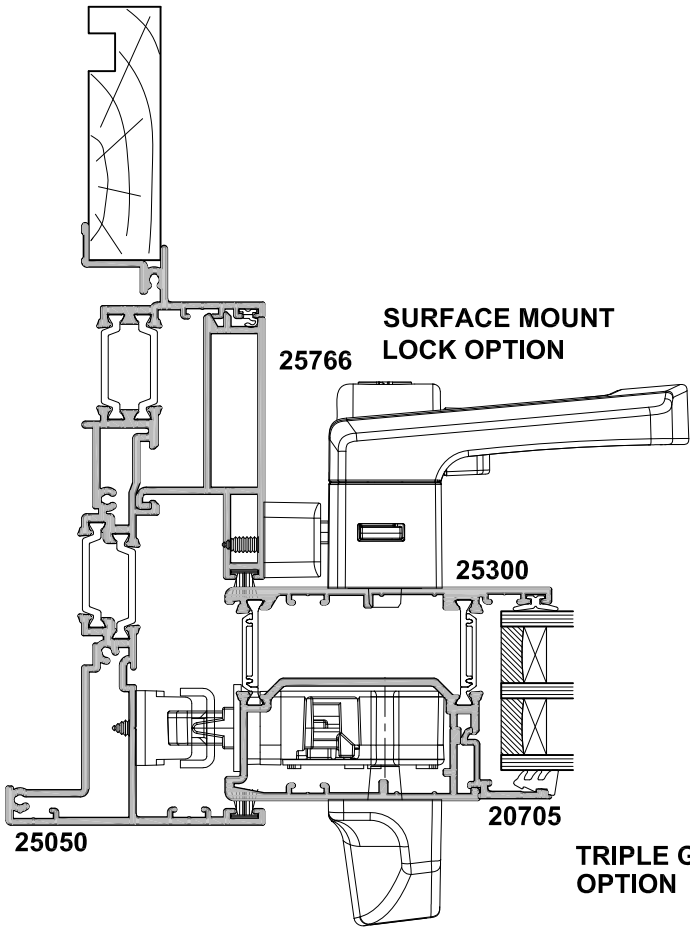
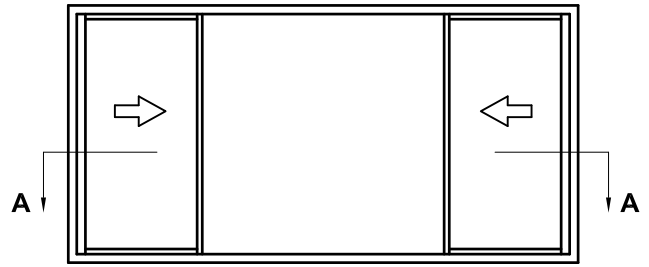
SECTION A-A

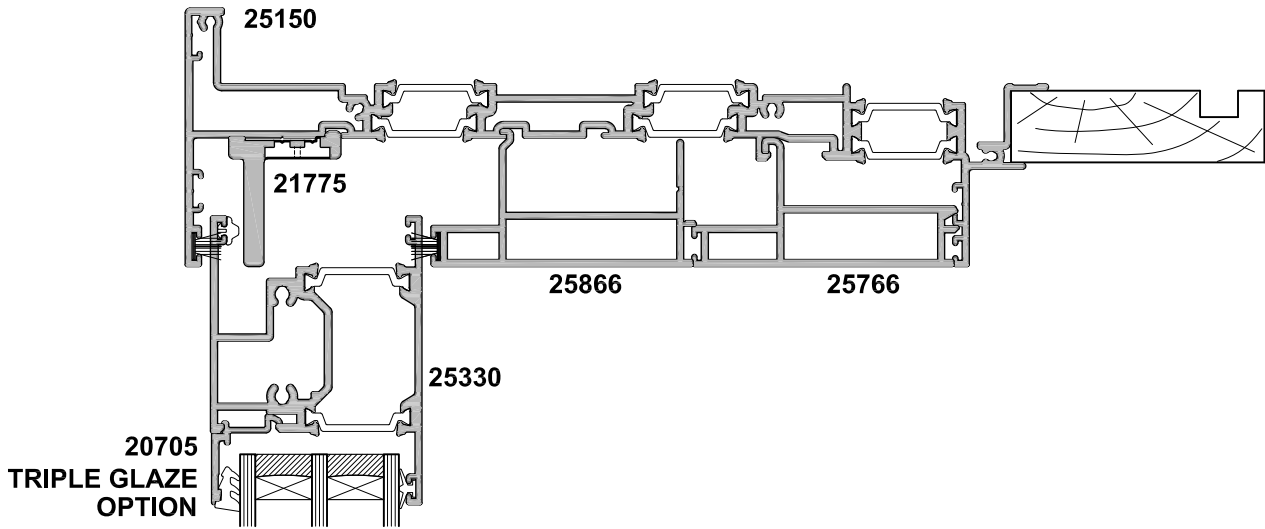
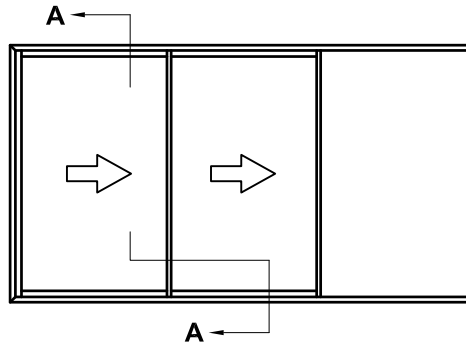


SECTION A-A

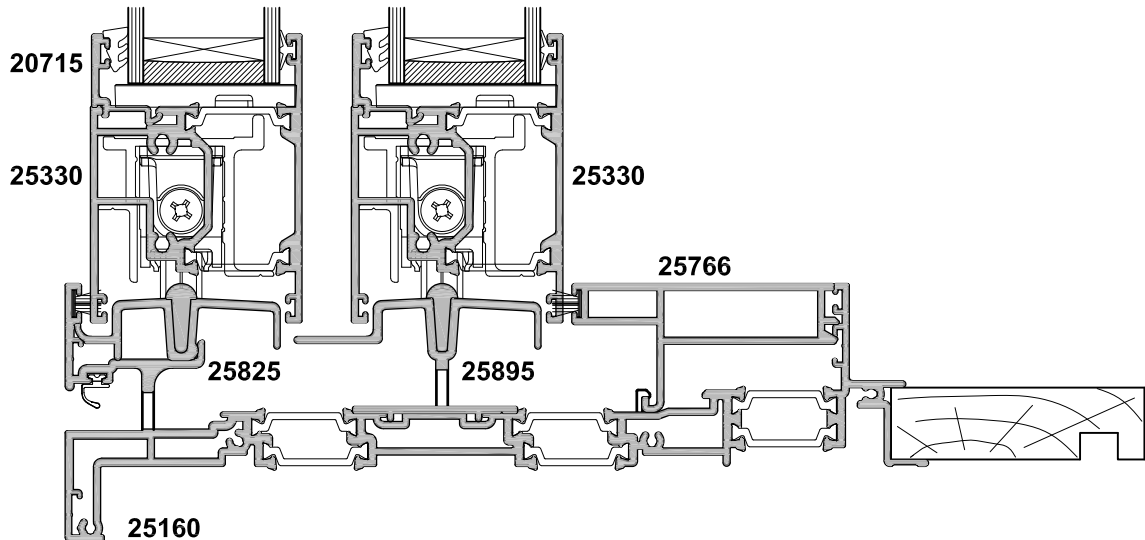


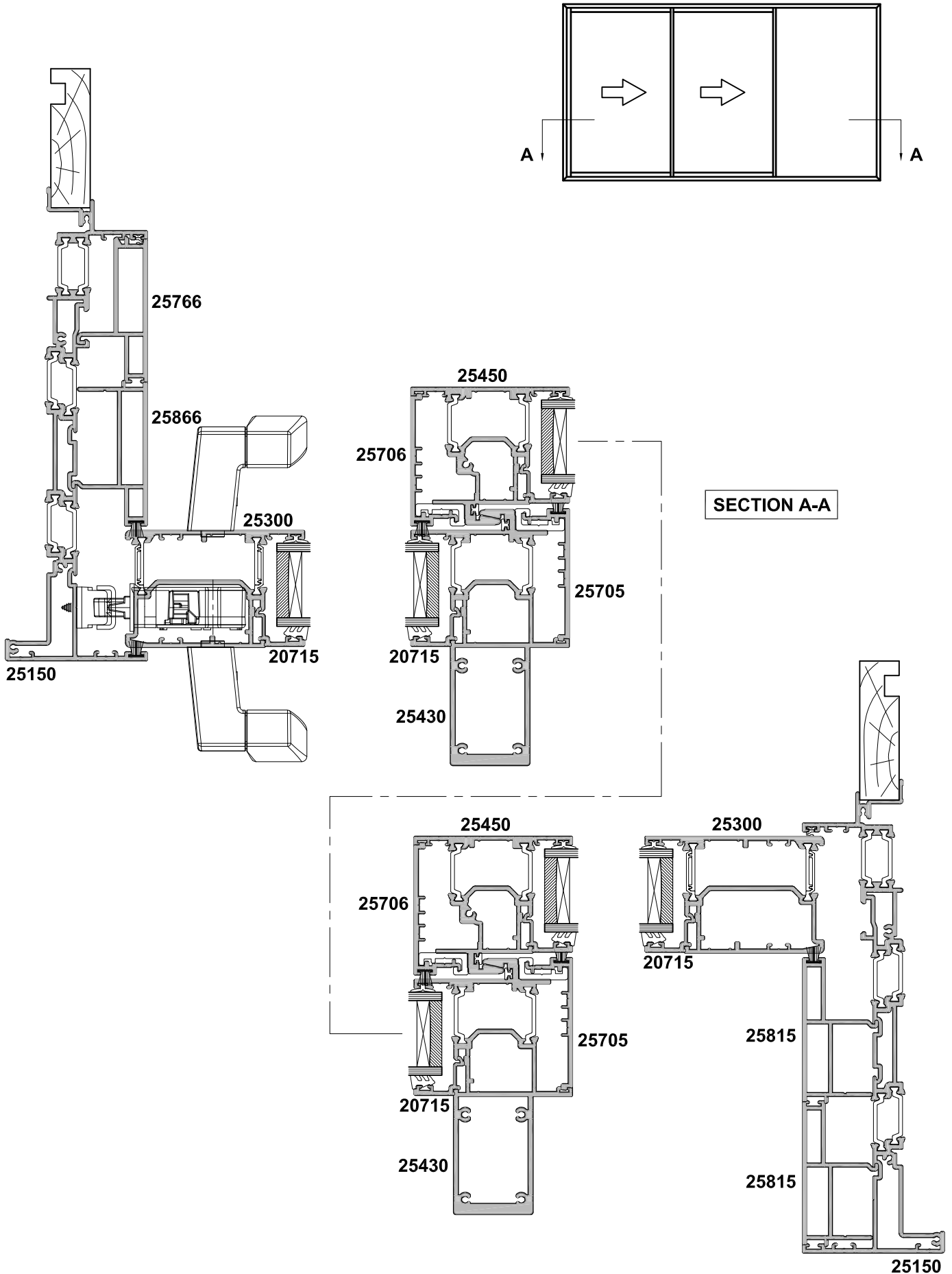


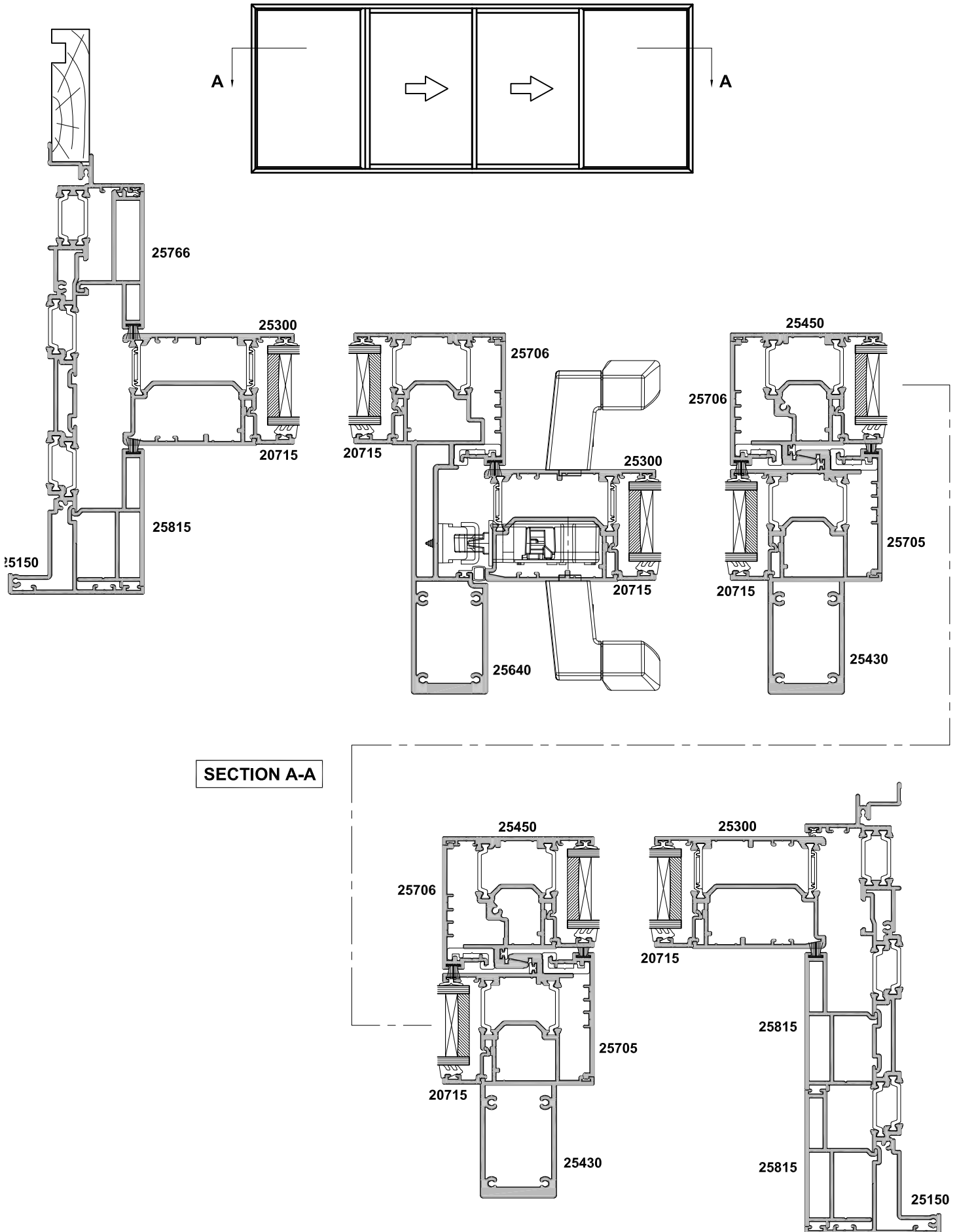


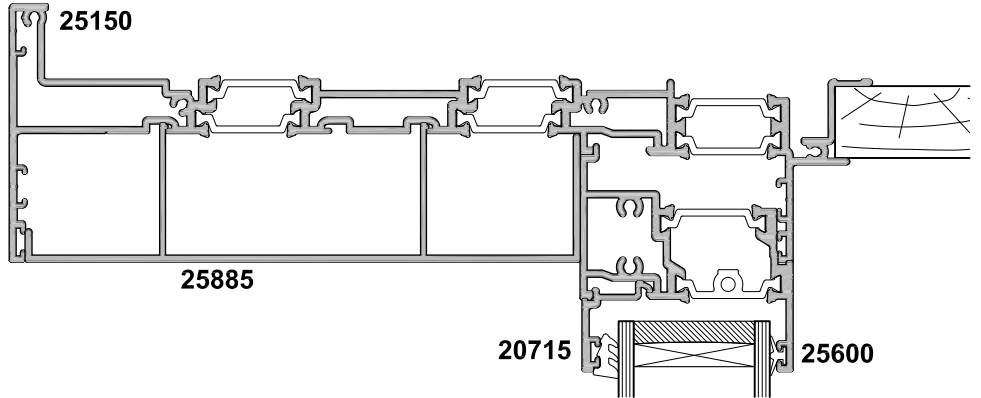
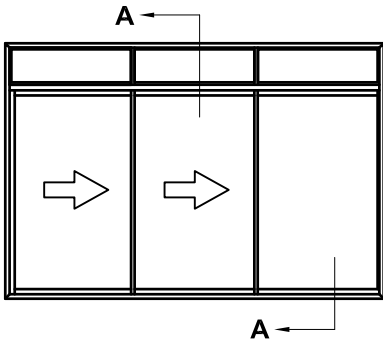


**SECTION A-A**

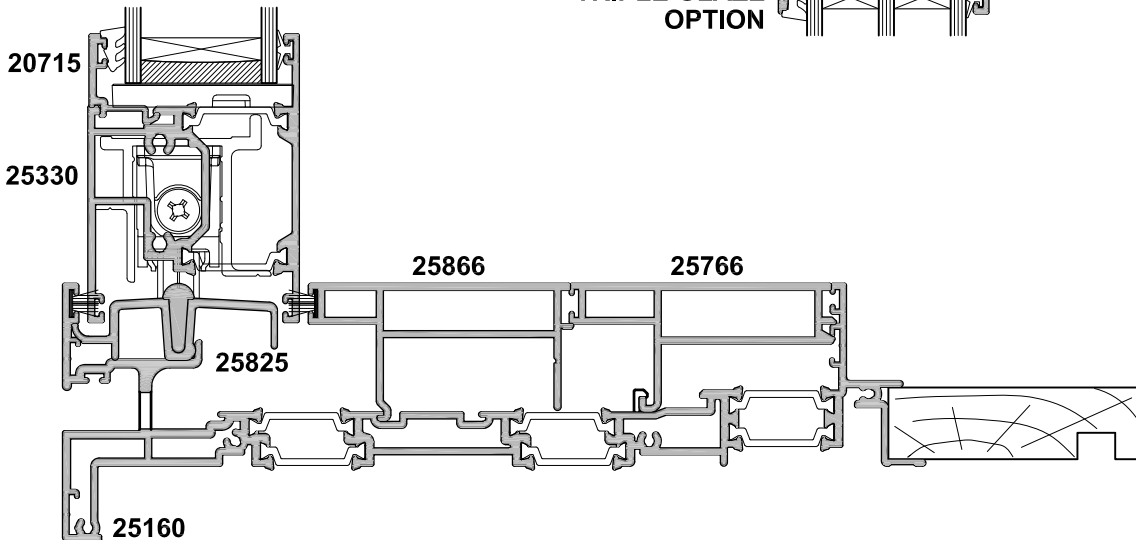
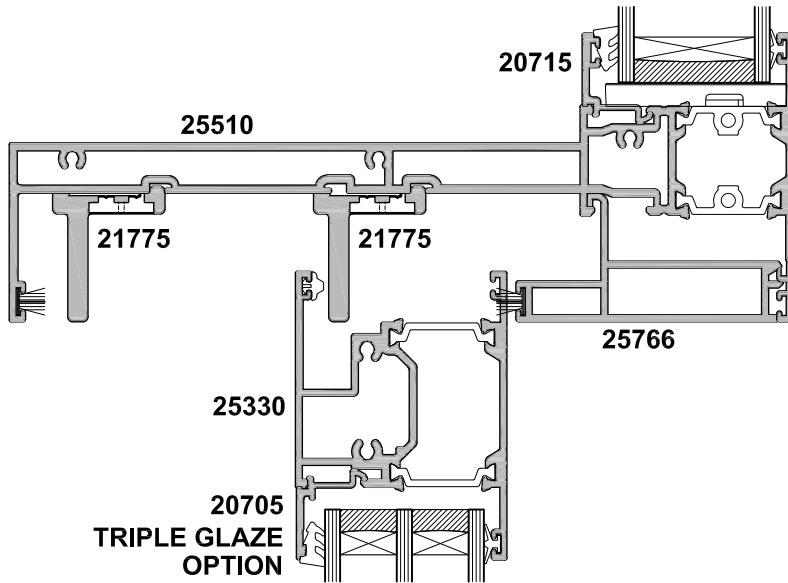


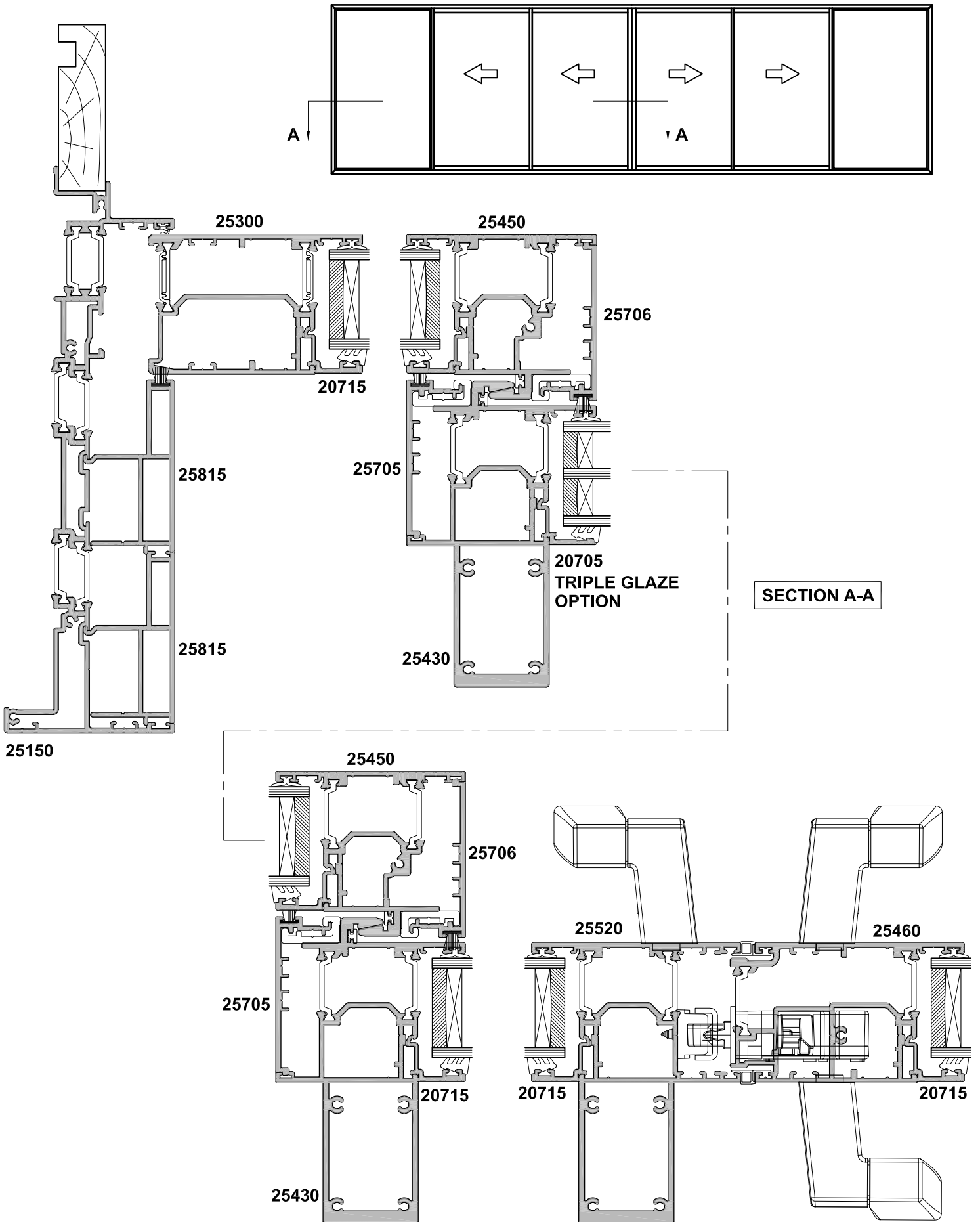




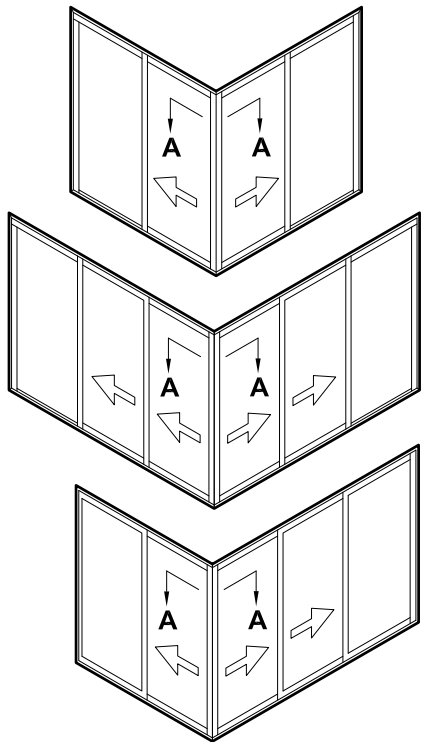


SECTION A-A



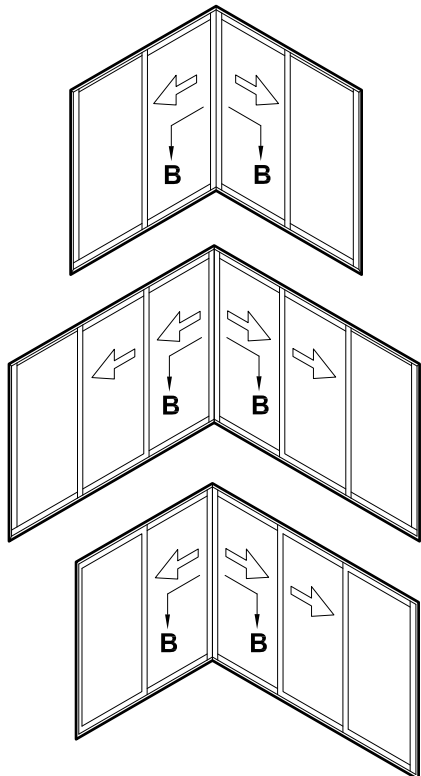
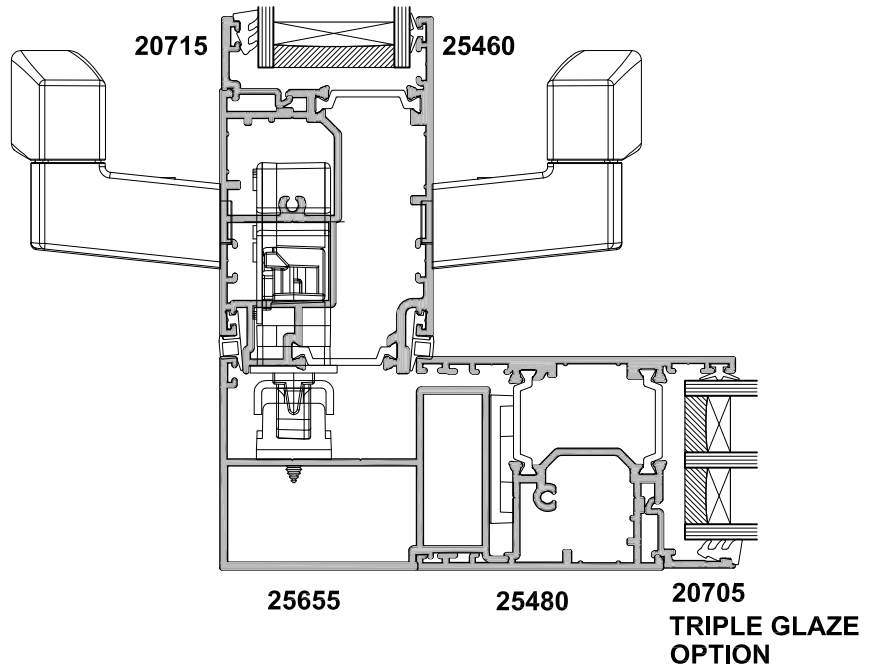






**SECTION A-A**

**EXTERNAL CORNER**



**SECTION B-B**

**INTERNAL CORNER**

