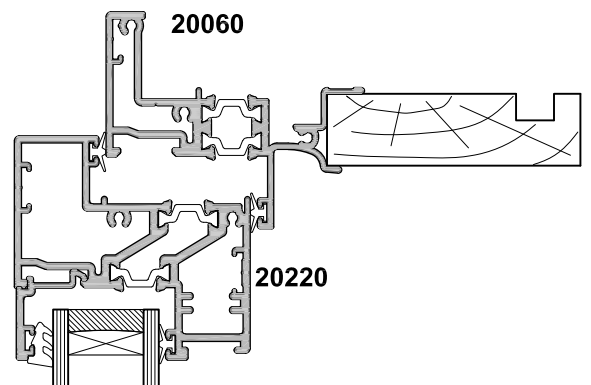
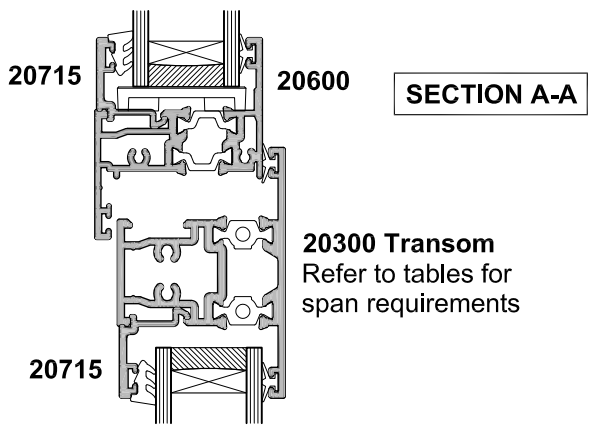


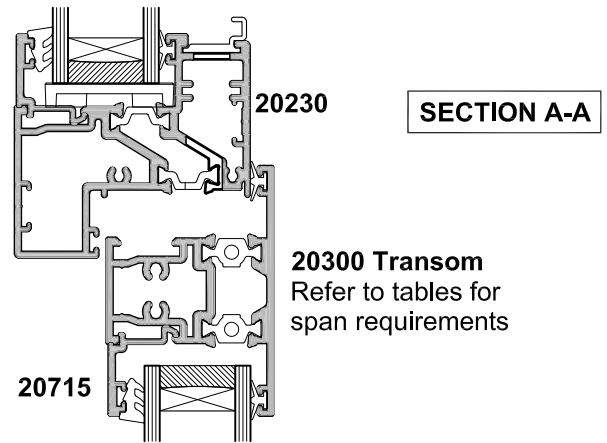
**STANDARD  
SASH OPTION**



**VENTED SASH  
OPTION**



**20300 Transom**  
Refer to tables for  
span requirements



**20300 Transom**  
Refer to tables for  
span requirements

