

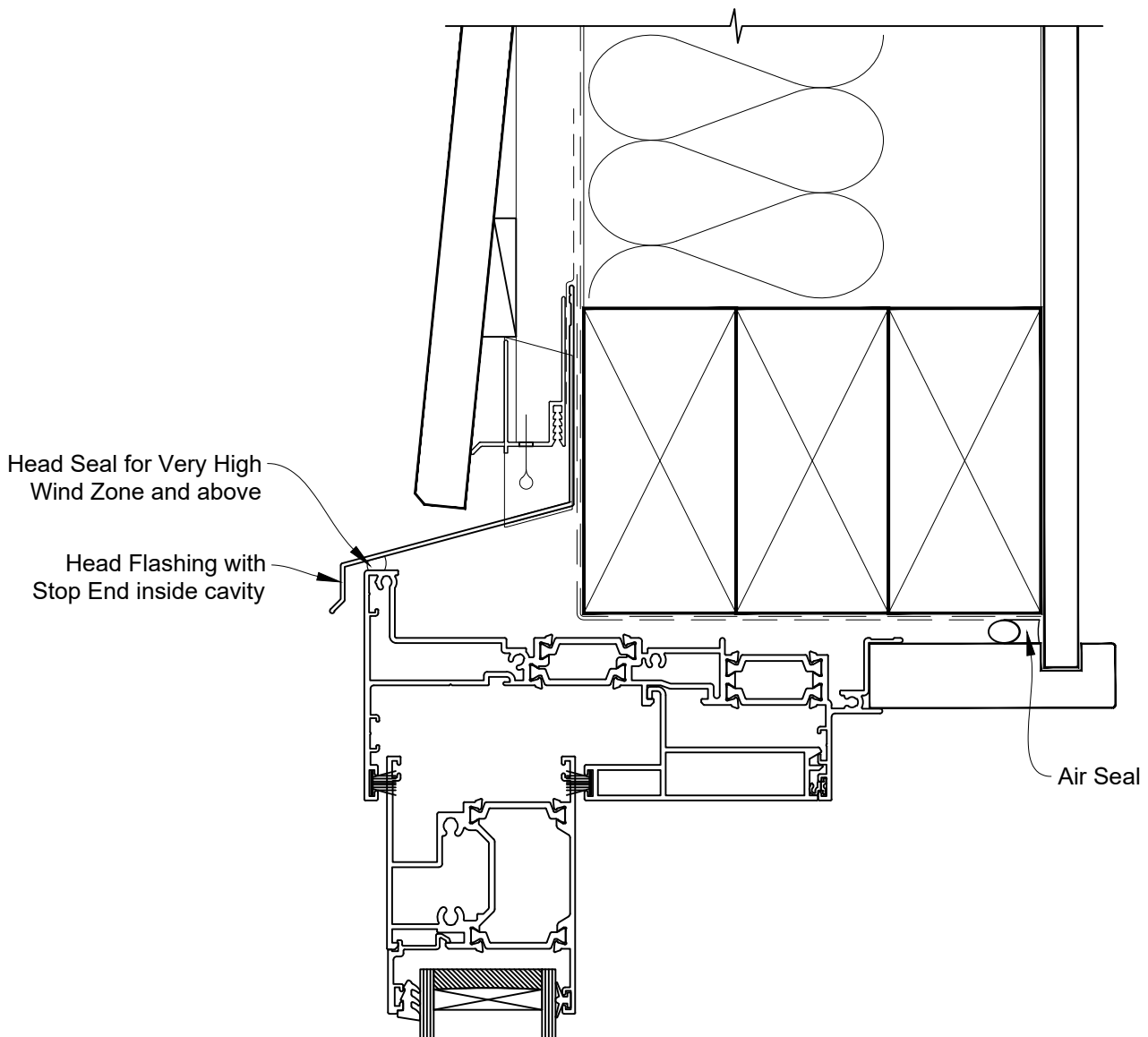


# INSTALLATION DETAIL - 56mm METRO THERMAL HEART SLIDING DOOR ON BEVEL BACK WEATHERBOARD CAVITY CONSTRUCTION

Date: 01.03.23

Scale: 1:2

CAD Ref.: TM56SDBW-CH



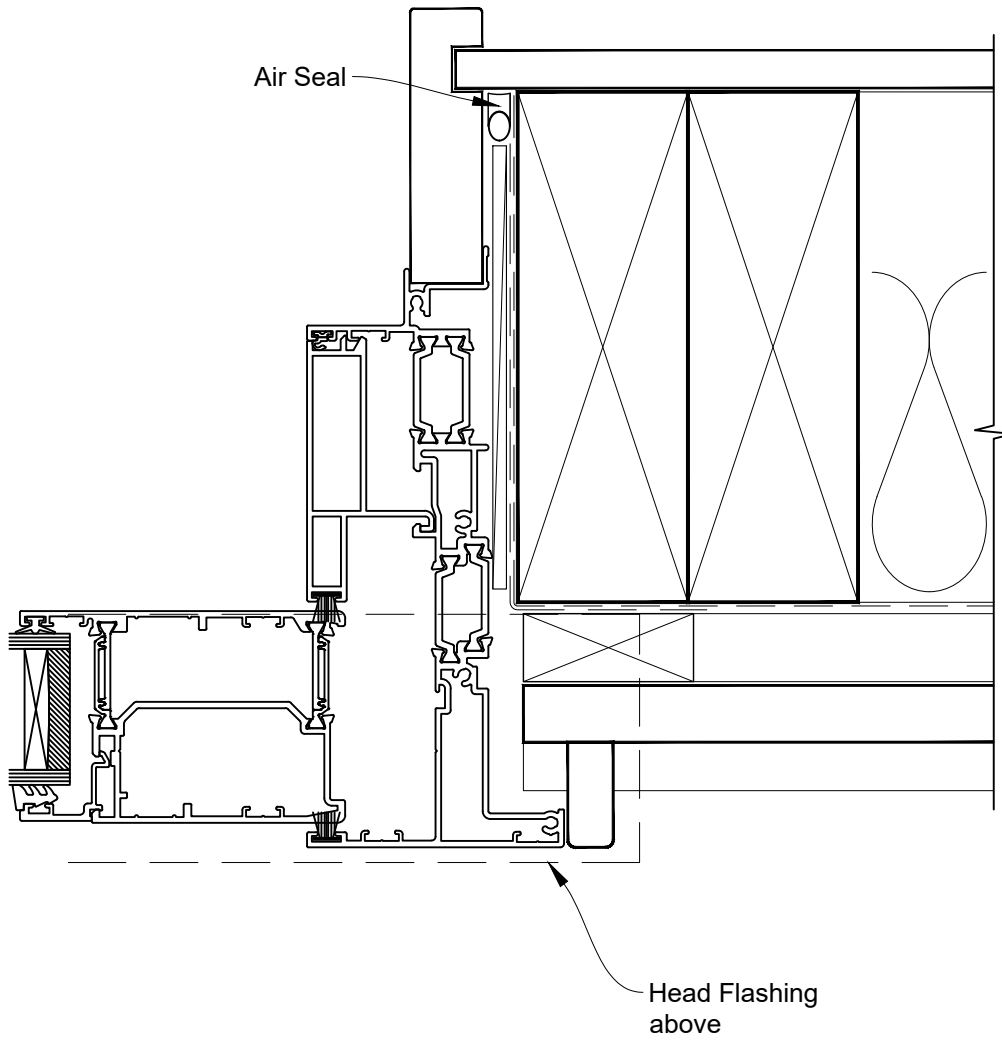


# INSTALLATION DETAIL - 56mm METRO THERMAL HEART SLIDING DOOR ON BEVEL BACK WEATHERBOARD CAVITY CONSTRUCTION

Date: 01.03.23

Scale: 1:2

CAD Ref.: TM56SDBW-CJ



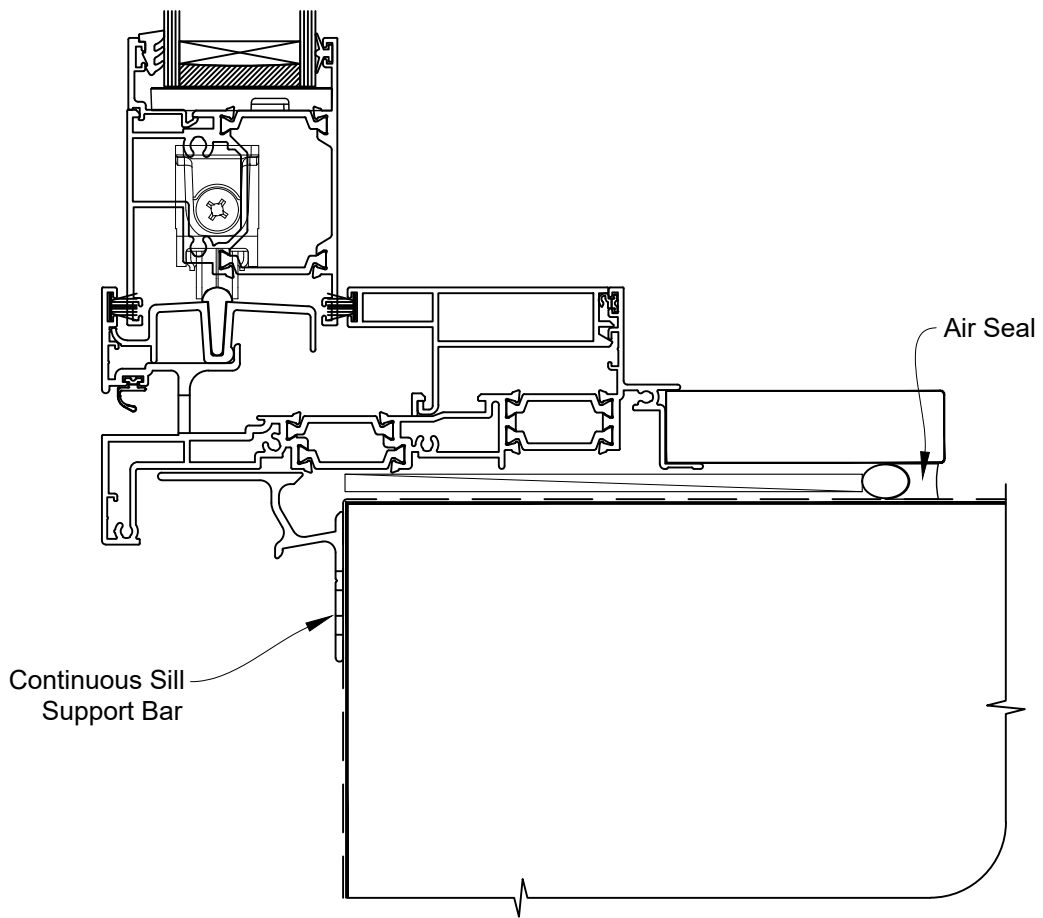


# INSTALLATION DETAIL - 56mm METRO THERMAL HEART SLIDING DOOR ON BEVEL BACK WEATHERBOARD CAVITY CONSTRUCTION

Date: 01.03.23

Scale: 1:2

CAD Ref.: TM56SDBW-CS



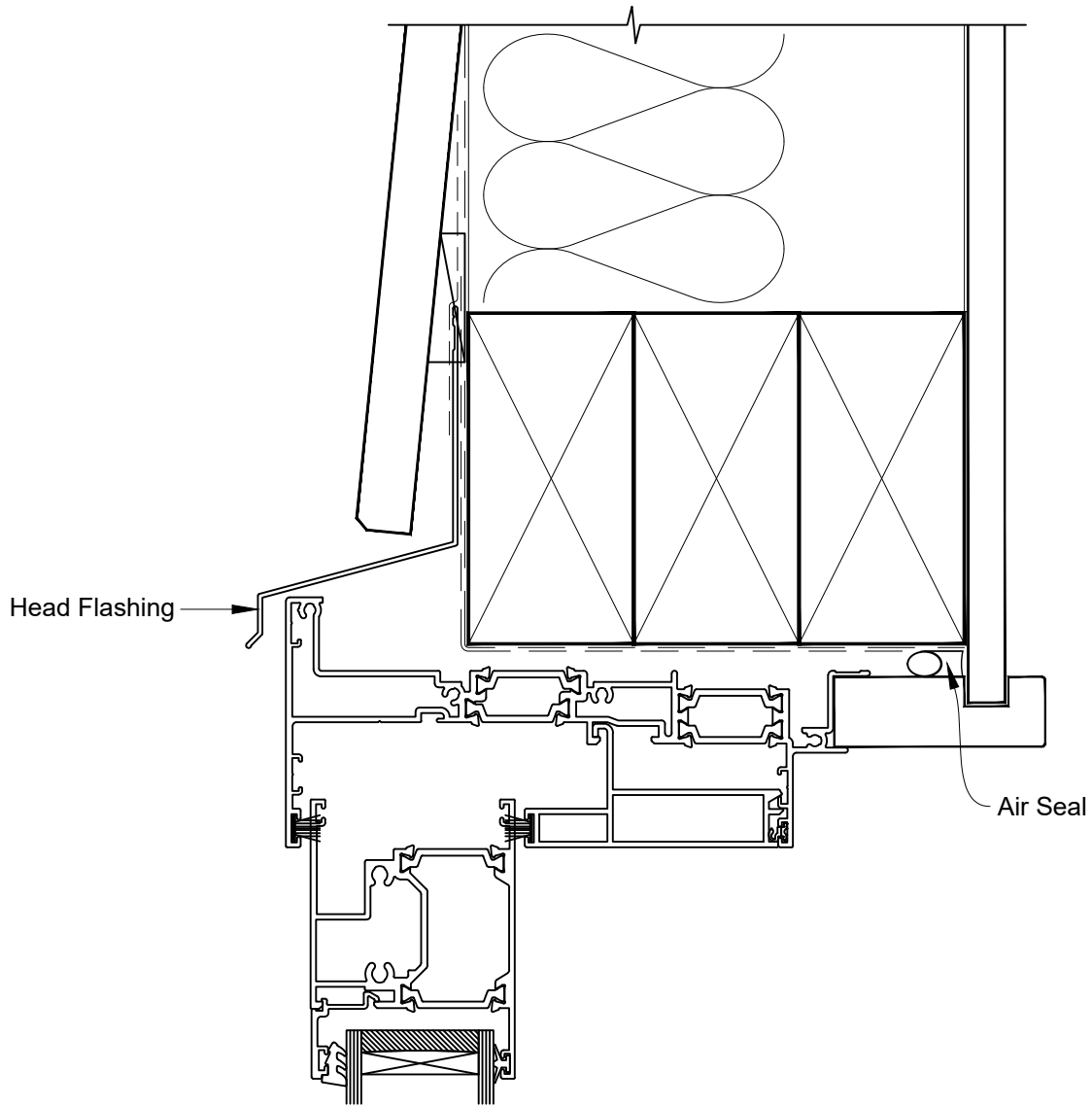


# INSTALLATION DETAIL - 56mm METRO THERMAL HEART SLIDING DOOR ON BEVEL BACK WEATHERBOARD DIRECT FIXED CLADDING

Date: 01.03.23

Scale: 1:2

CAD Ref.: TM56SDBW-DH



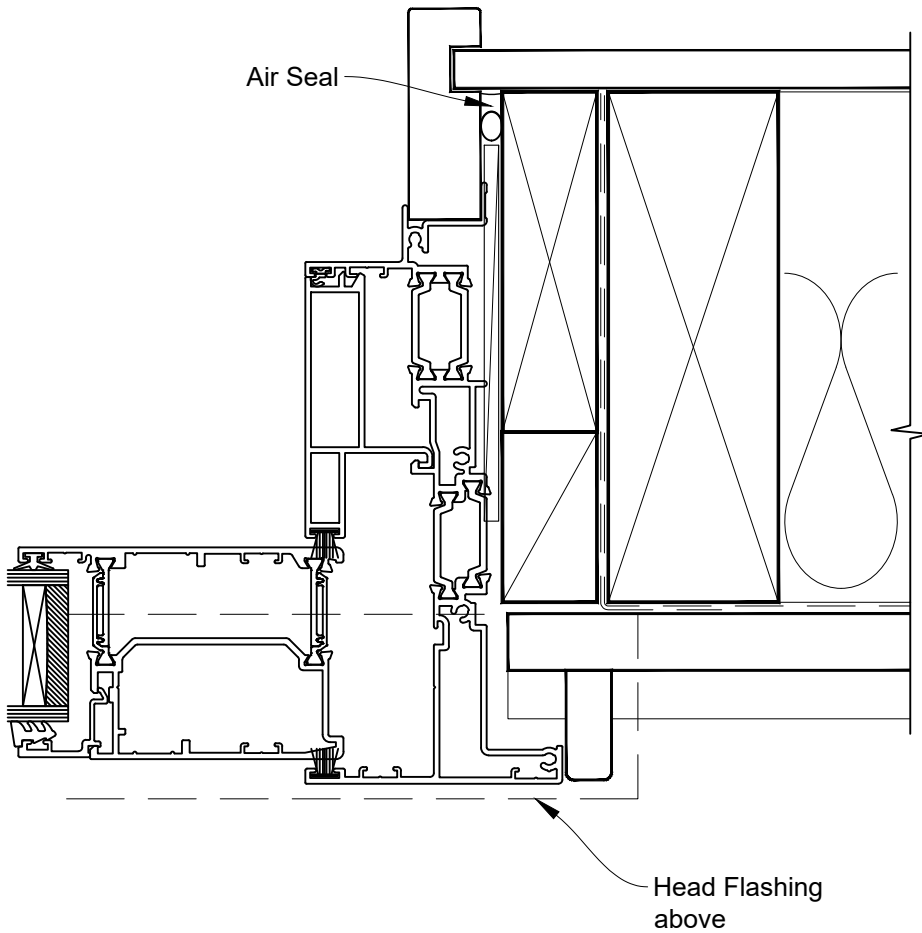


**INSTALLATION DETAIL - 56mm METRO THERMAL HEART  
SLIDING DOOR ON BEVEL BACK WEATHERBOARD  
DIRECT FIXED CLADDING**

Date: 01.03.23

Scale: 1:2

CAD Ref.: TM56SDBW-DJ





# INSTALLATION DETAIL - 56mm METRO THERMAL HEART SLIDING DOOR ON BEVEL BACK WEATHERBOARD DIRECT FIXED CLADDING

Date: 01.03.23

Scale: 1:2

CAD Ref.: TM56SDBW-DS

