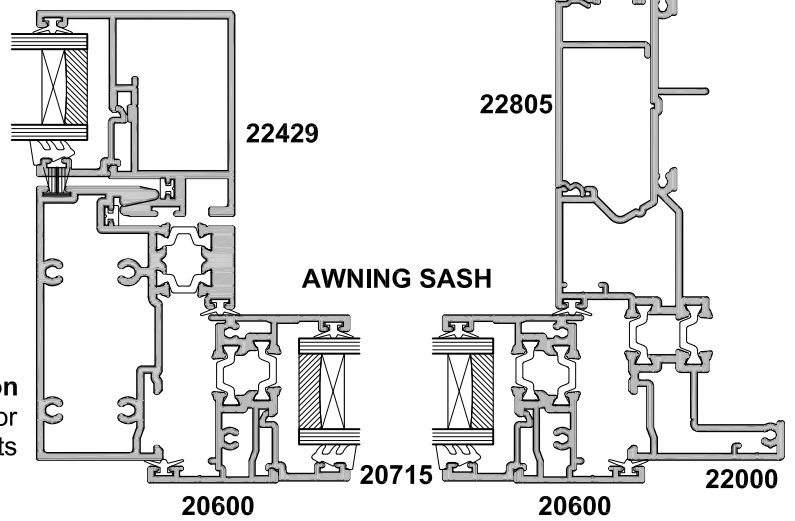
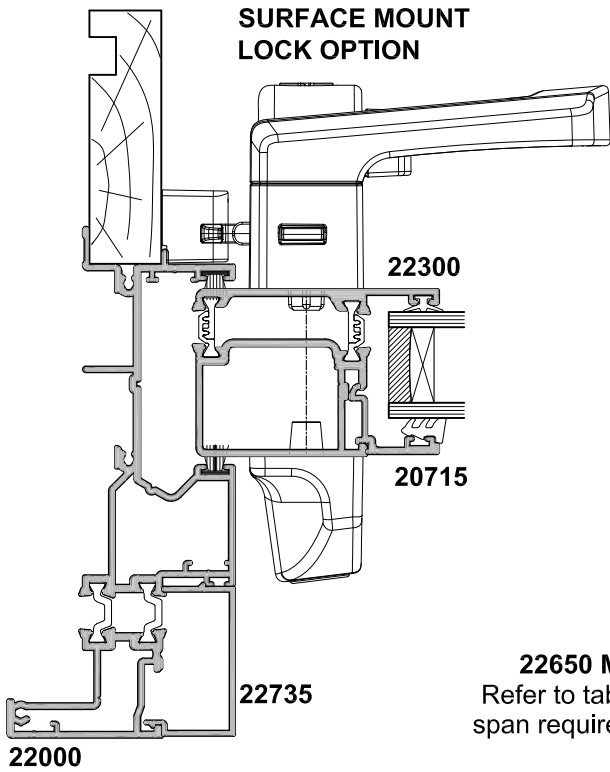
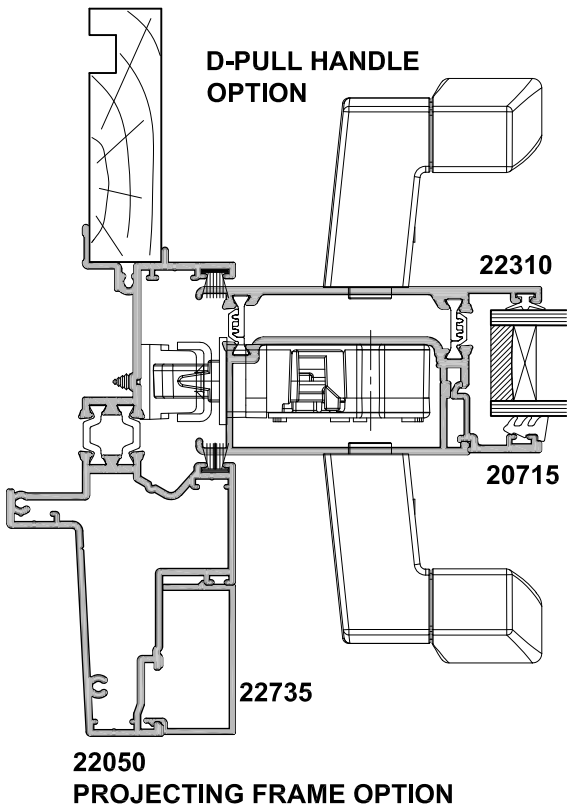


SECTION A-A



22650 Mullion
Refer to tables for span requirements



SECTION B-B

