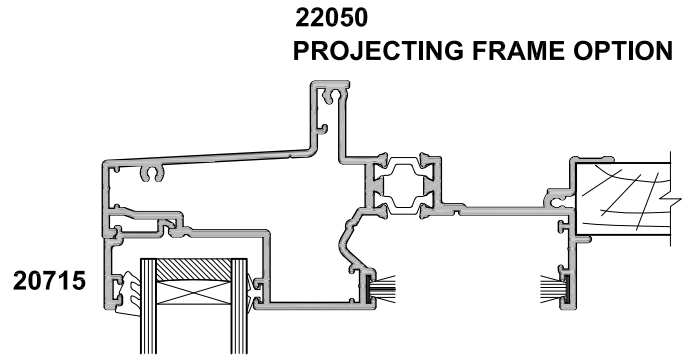
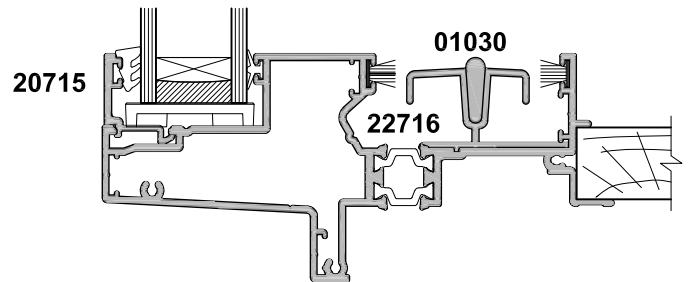
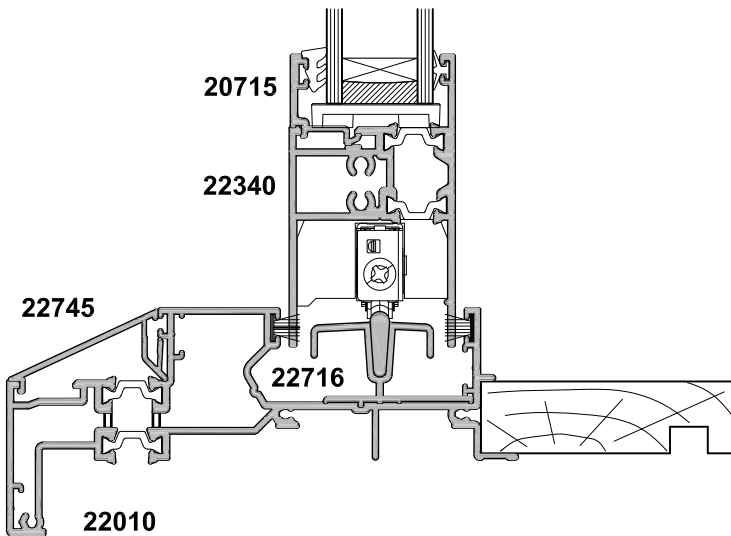


SECTION A-A



SECTION B-B



**22050
PROJECTING FRAME OPTION**